

United States Patent [19]
Takahashi

[11] **Patent Number: Des. 299,420**

[45] **Date of Patent: ** Jan. 17, 1989**

[54] **HINGE FOR REFRIGERATOR DOOR**

[75] **Inventor: Tetsuo Takahashi, Tokyo, Japan**

[73] **Assignee: Takigen Manufacturing Co., Ltd., Tokyo, Japan**

[**] **Term: 14 Years**

[21] **Appl. No.: 899,620**

[22] **Filed: Aug. 25, 1986**

[52] **U.S. Cl. D8/329**

[58] **Field of Search D8/323, 327, 329;
 16/221, 247, 309, 312, 387**

[56] **References Cited**

U.S. PATENT DOCUMENTS

D. 80,617	3/1930	Graff	D8/329
D. 111,157	9/1938	Schrader	D8/329
D. 154,132	6/1949	Lounsbury	D8/327

D. 161,650	1/1951	Scovill	D8/329
D. 173,025	9/1954	Fritz	D8/329
2,208,310	7/1940	Leonard	16/312

Primary Examiner—B. J. Bullock
Attorney, Agent, or Firm—Martin Smolowitz

[57] **CLAIM**

The ornamental design for a hinge for refrigerator door, as shown.

DESCRIPTION

FIG. 1 is a front view of a hinge for refrigerator door showing my new design;
 FIG. 2 is a rear view thereof;
 FIG. 3 is a left side view thereof;
 FIG. 4 is a right side view thereof;
 FIG. 5 is a top view thereof;
 FIG. 6 is a bottom view thereof;
 FIG. 7 is a sectional view taken in the direction of the arrows on line 7—7 of FIG. 1.

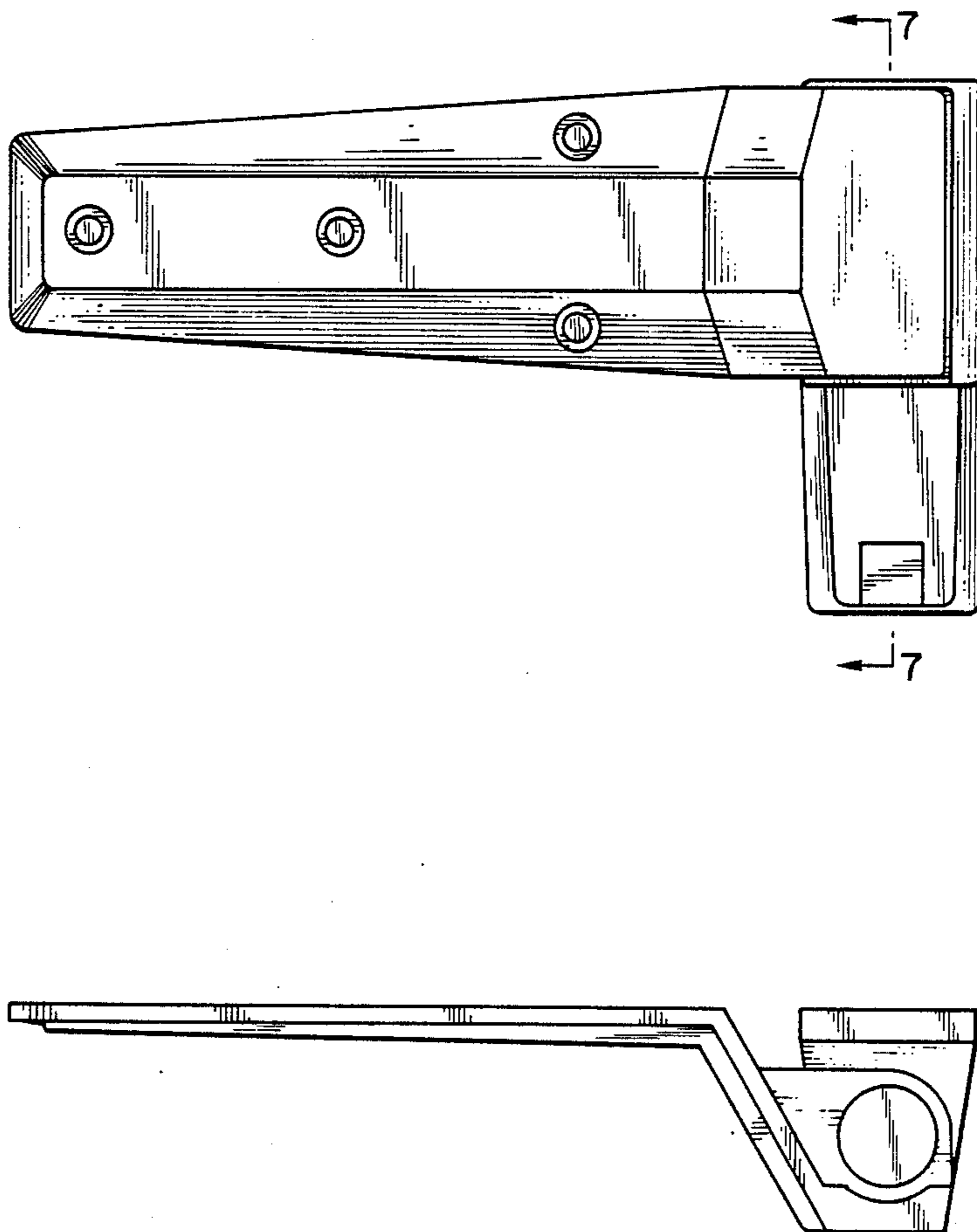


FIG. 1

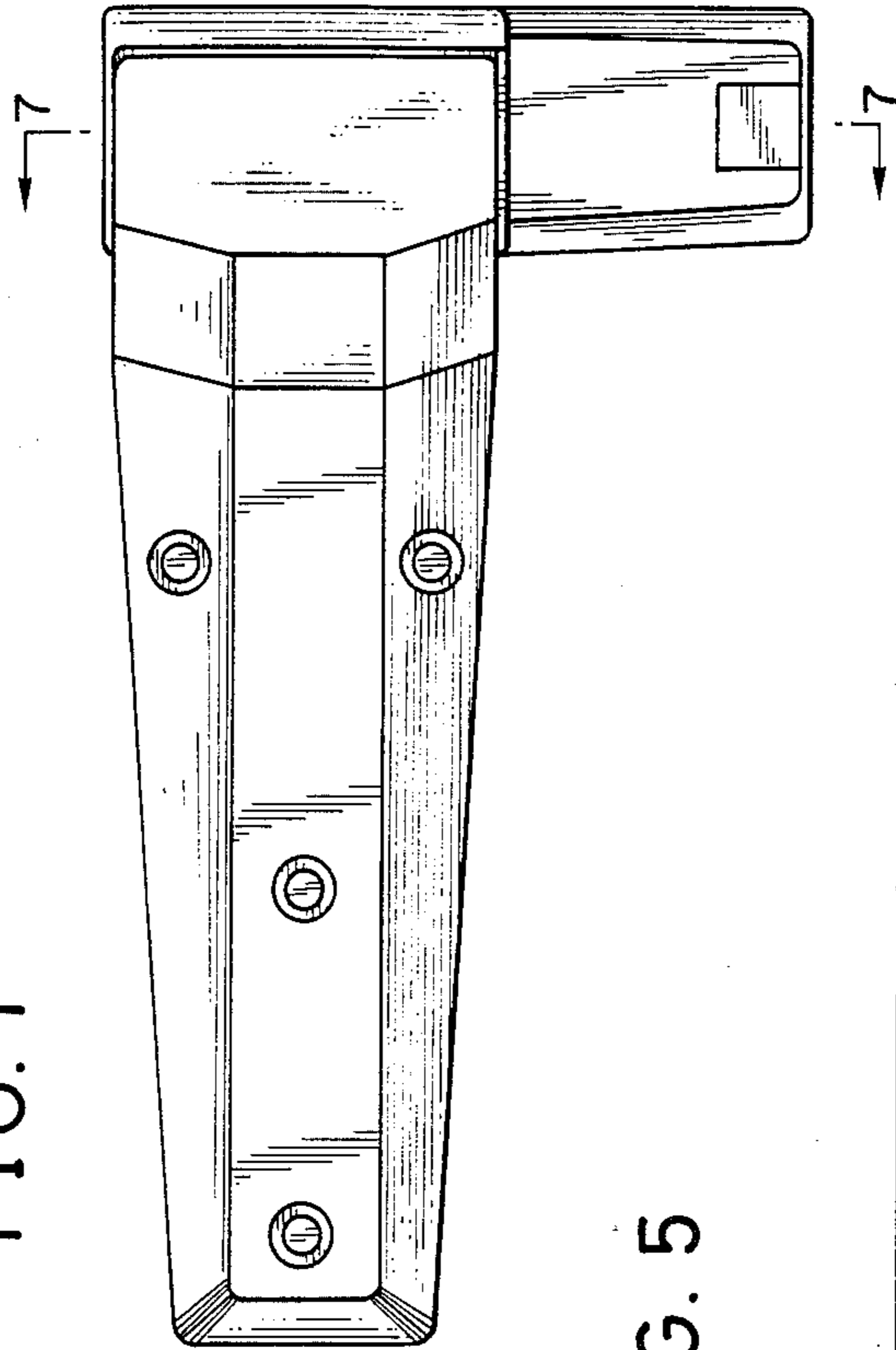


FIG. 5

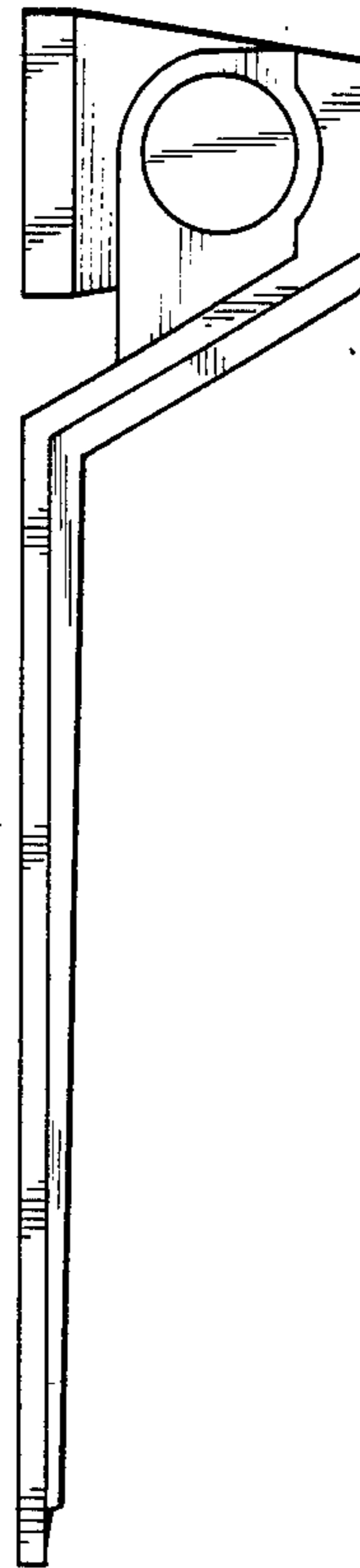


FIG. 2

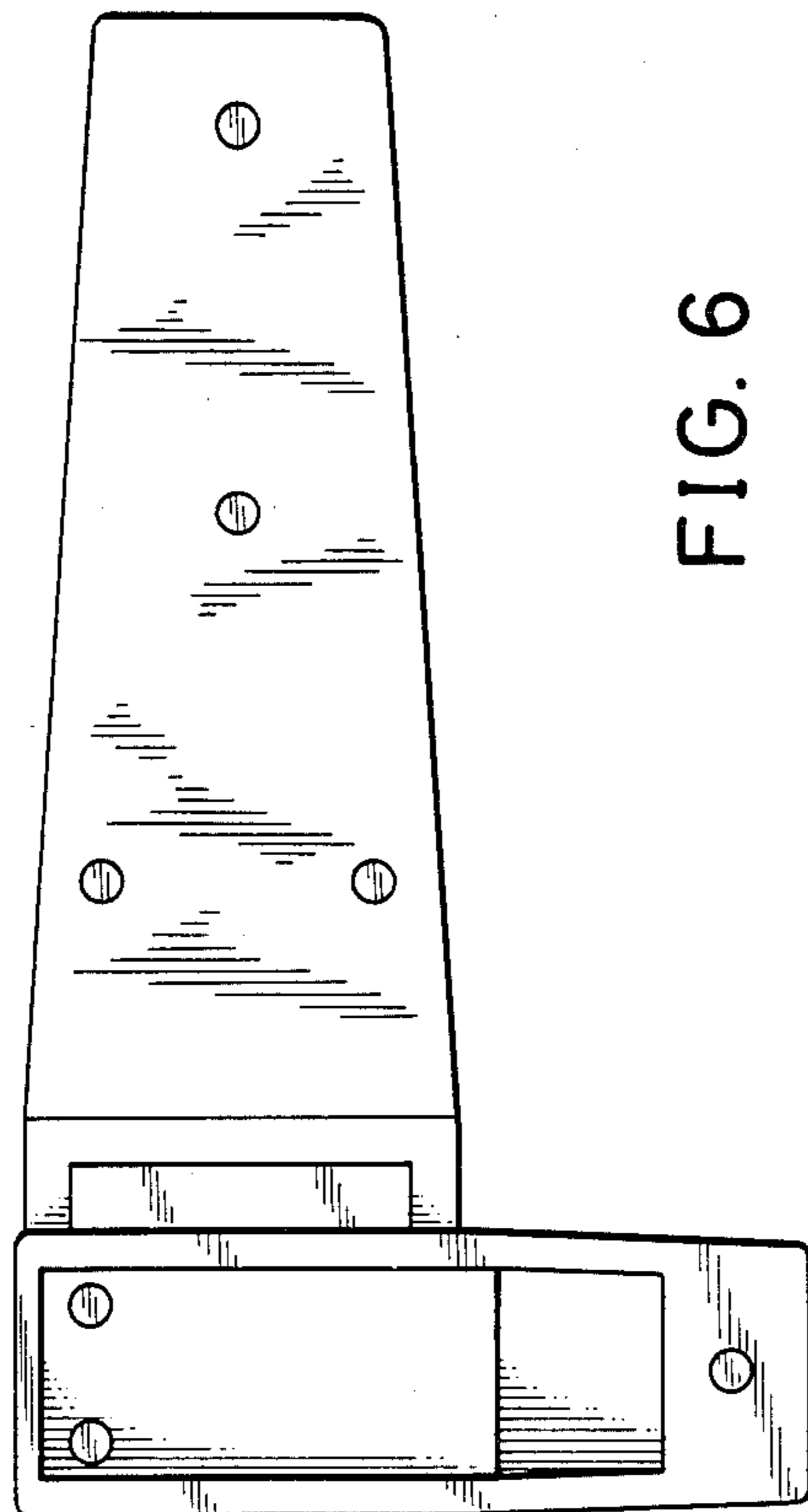


FIG. 6

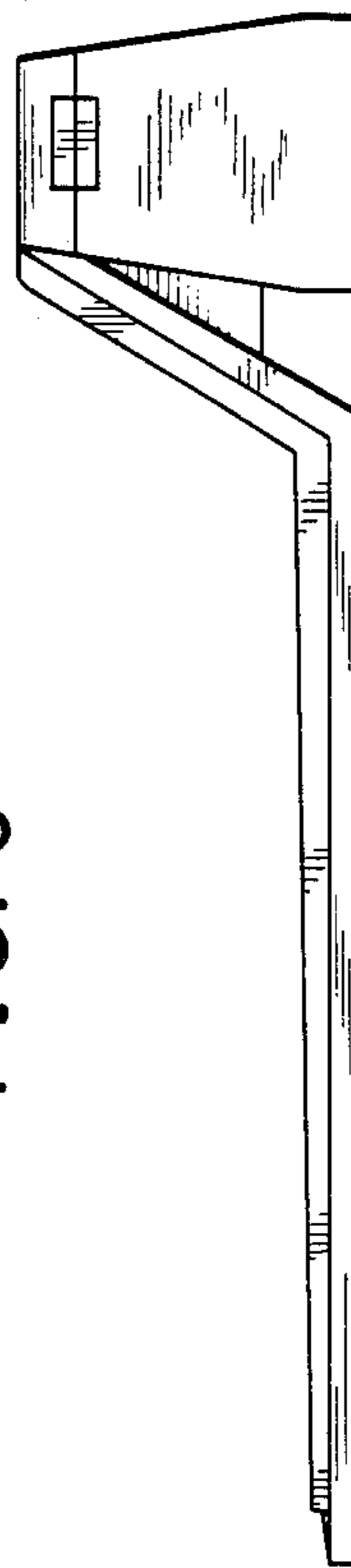


FIG. 7

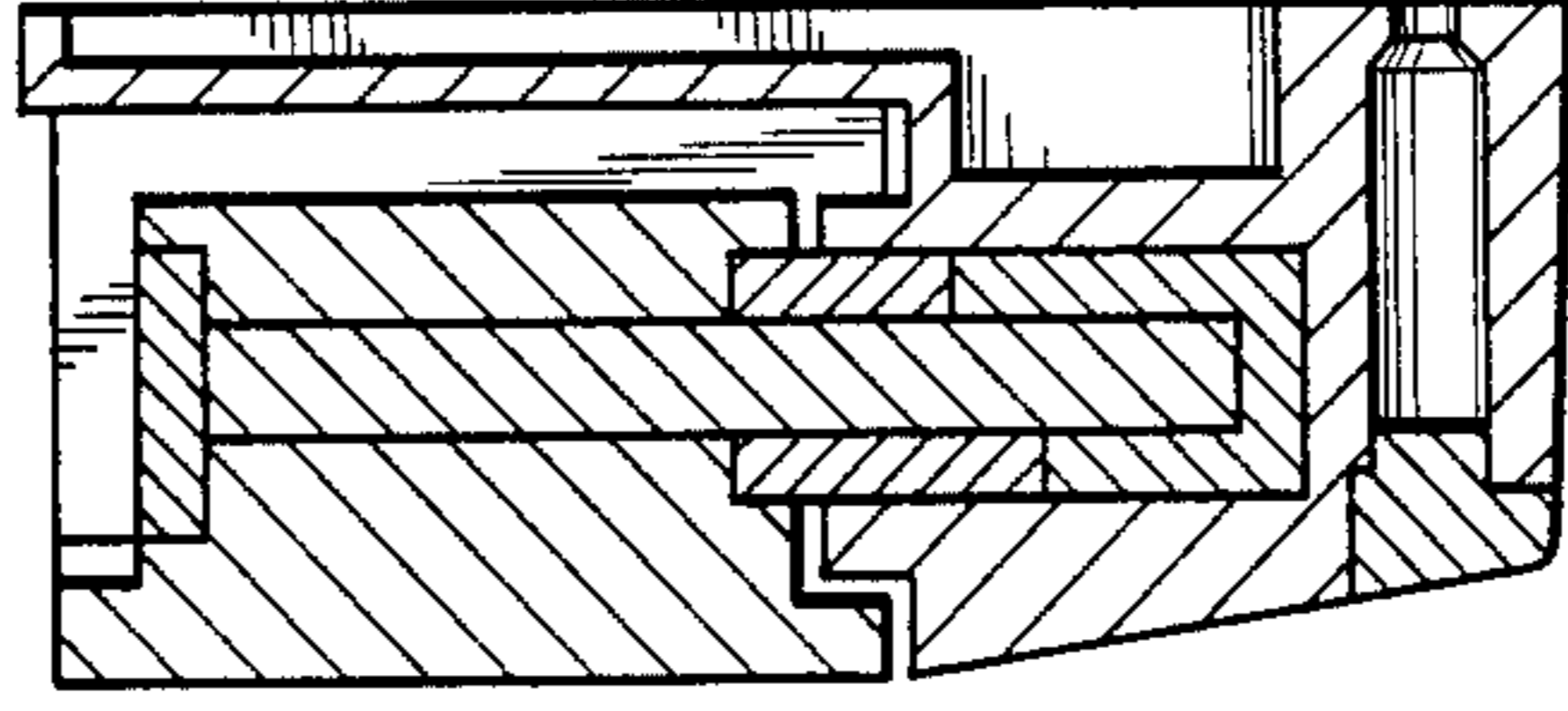


FIG. 4

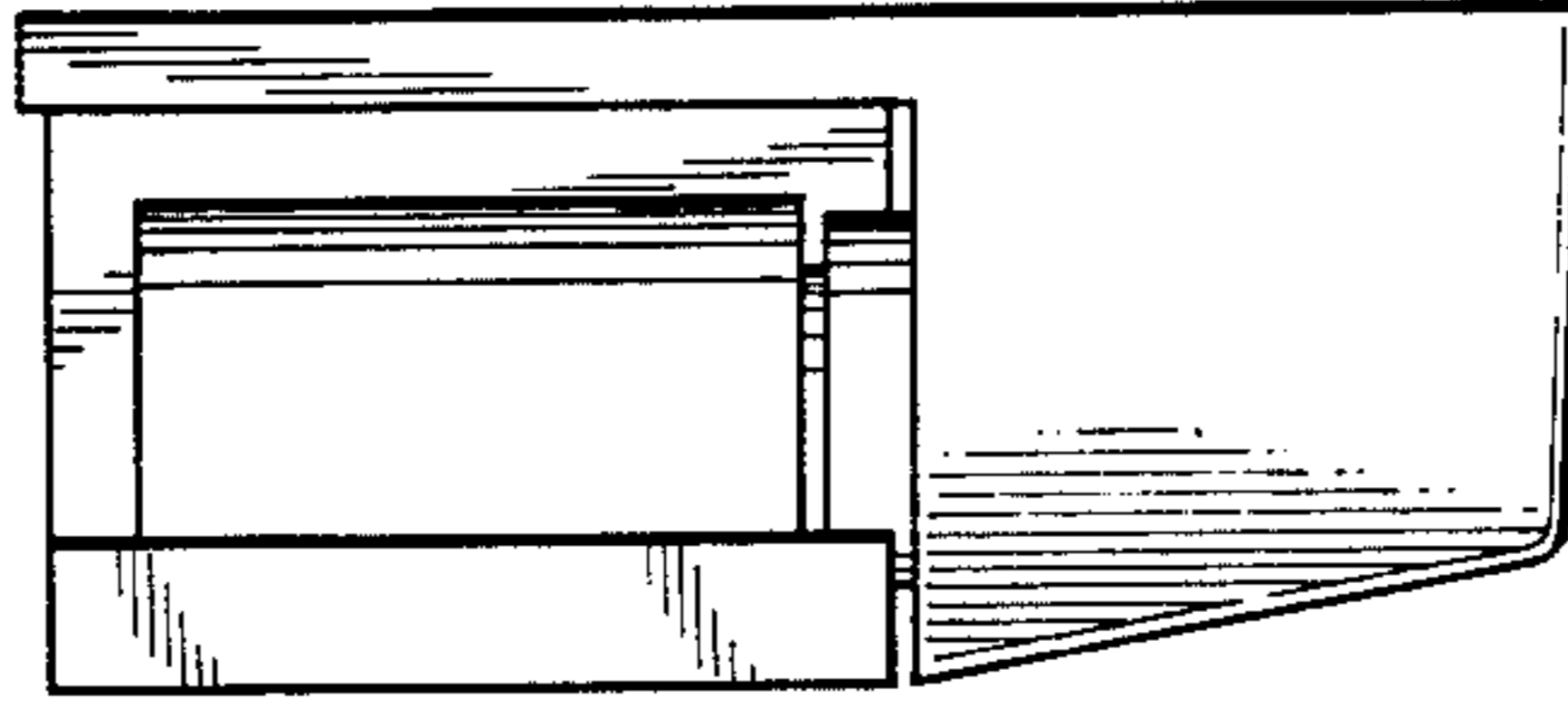


FIG. 3

