

- [54] HANDLE FOR REFRIGERATOR DOOR
- [75] Inventor: Tetsuo Takahashi, Tokyo, Japan
- [73] Assignee: Takigen Manufacturing Co., Ltd., Tokyo, Japan
- [**] Term: 14 Years
- [21] Appl. No.: 899,600
- [22] Filed: Aug. 25, 1986
- [52] U.S. Cl. D8/302; D8/308
- [58] Field of Search D8/301, 302, 307, 308, D8/331, 341, 344; 70/215; 292/194, 217, 219, 336.3, DIG. 71; D15/199

- 4,631,937 12/1986 Debus 292/336.3
- 4,740,022 4/1988 Takahashi 292/DIG. 71

Primary Examiner—B. J. Bullock
 Attorney, Agent, or Firm—Martin Smolowitz

[57] CLAIM

The ornamental design for a handle for refrigerator door, as shown.

DESCRIPTION

FIG. 1 is a front view of a handle for refrigerator door showing my new design;
 FIG. 2 is a rear view thereof;
 FIG. 3 is a left side view thereof;
 FIG. 4 is a right side view thereof;
 FIG. 5 is a top view thereof;
 FIG. 6 is a bottom view thereof;
 FIG. 7 is a sectional view taken in the direction of the arrows on line 7—7 of FIG. 1;
 FIG. 8 is a sectional view taken in the direction of the arrows on line 8—8 of FIG. 1.

[56] References Cited
 U.S. PATENT DOCUMENTS

- D. 092,928 7/1934 Sayre D8/302
- D. 262,601 1/1982 Peppard D8/302
- 3,045,465 7/1962 Larson 292/DIG. 71
- 3,201,960 8/1965 Berkowitz 292/DIG. 71

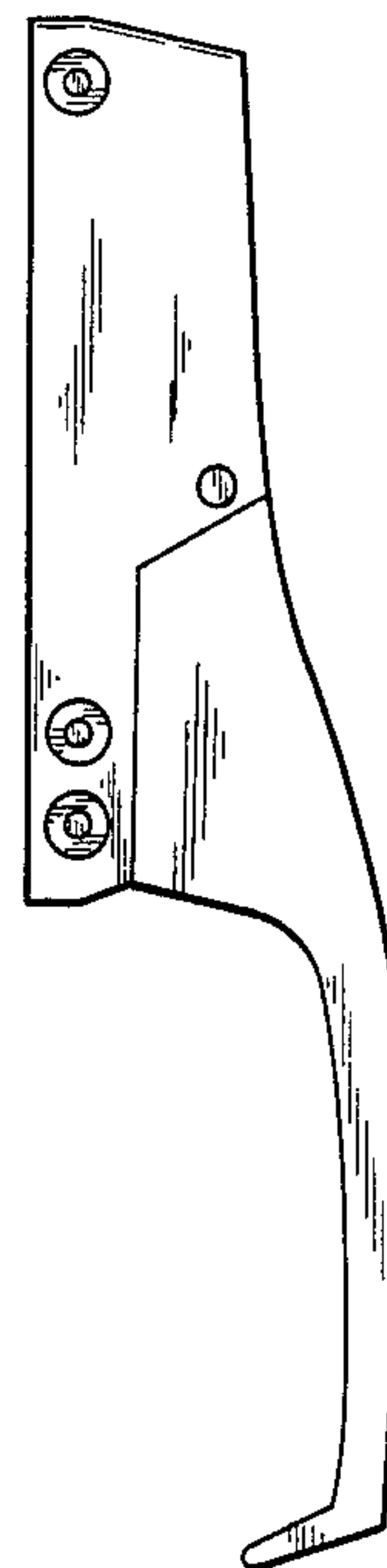
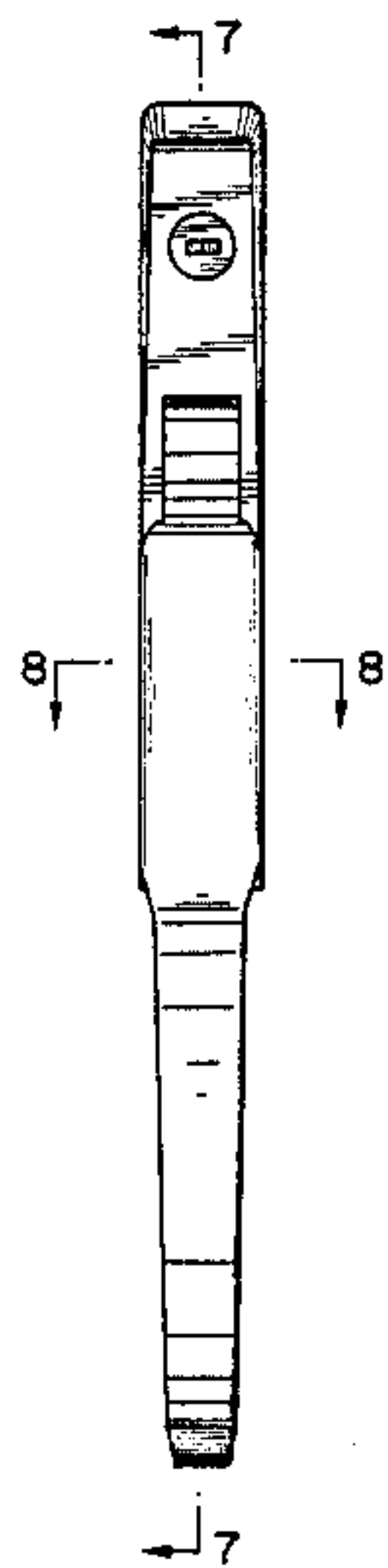


FIG. 1

FIG. 2

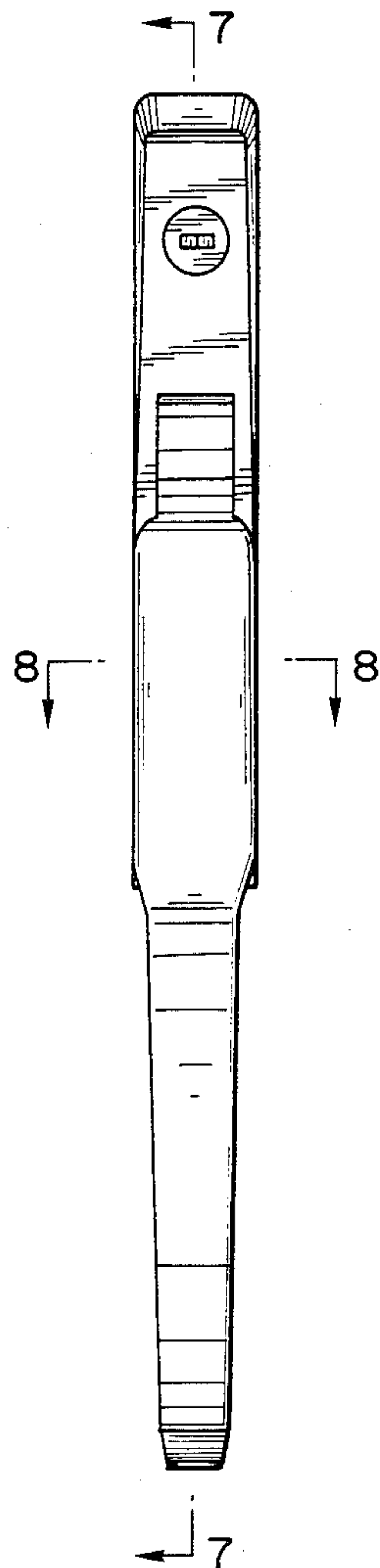


FIG.3

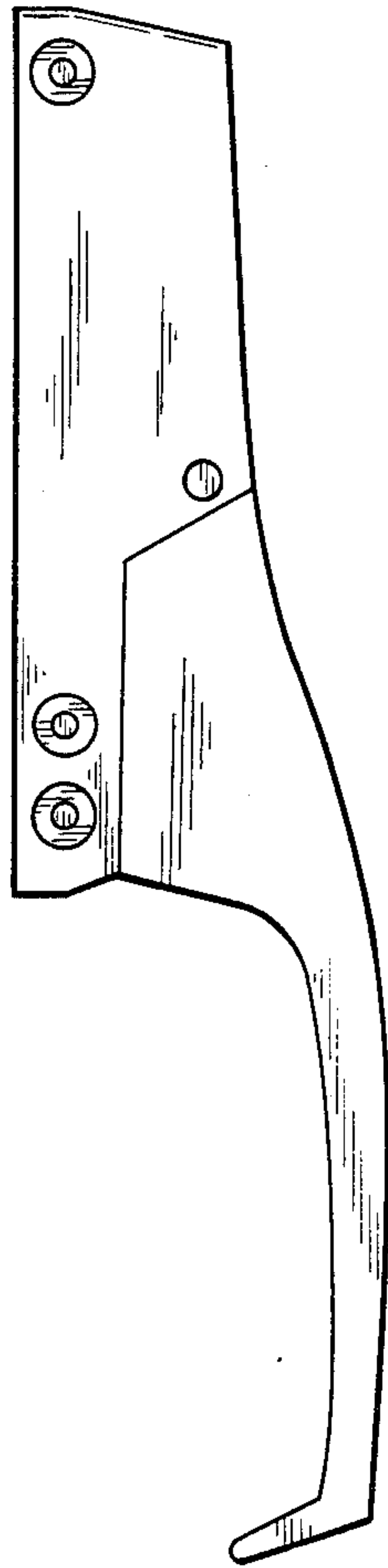


FIG.4

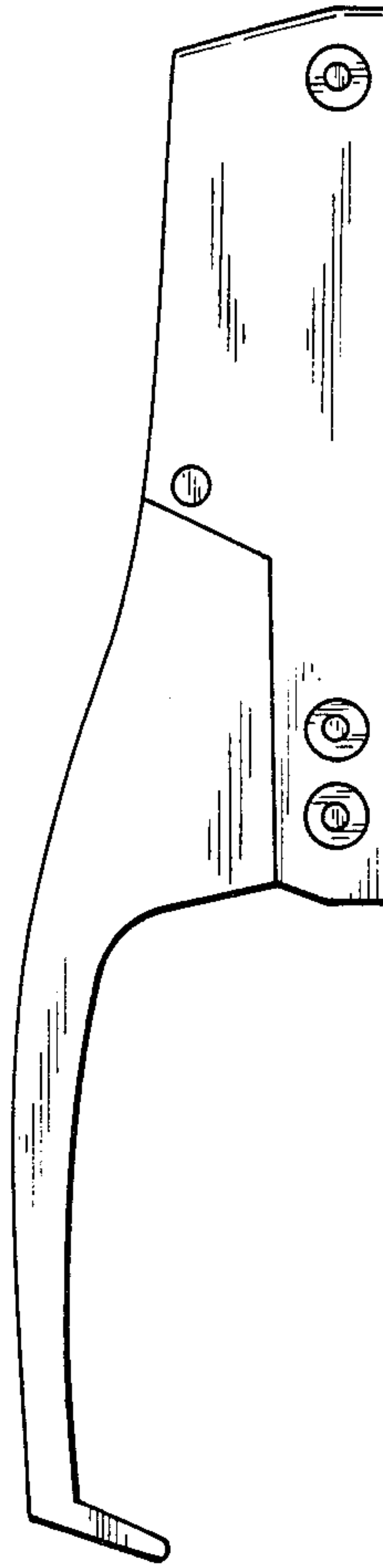


FIG. 5



FIG. 6

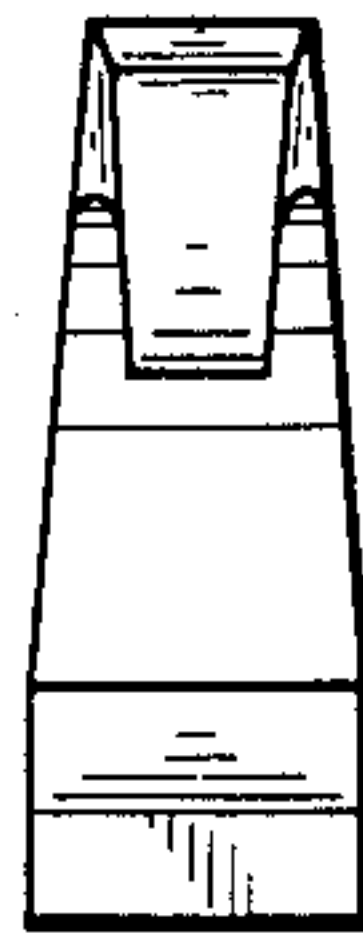


FIG. 8

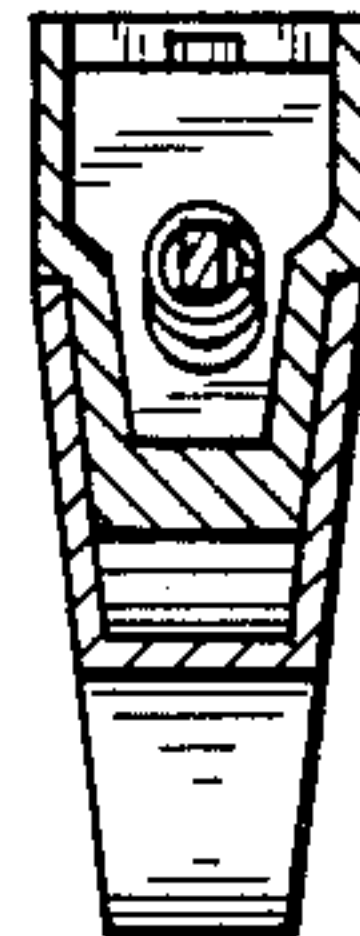


FIG. 7

