

[54] **FOLDING POCKET SAW HANDLE**

[75] **Inventor: Joseph P. DeCarolis, Bristol, Conn.**

[73] **Assignee: The Stanley Works, New Britain, Conn.**

[**] **Term: 14 Years**

[21] **Appl. No.: 755,919**

[22] **Filed: Jul. 17, 1985**

[52] **U.S. Cl. D8/97; D8/95;
D8/99; D8/107**

[58] **Field of Search D8/95, 97, 99, 107;
D7/150; D22/118; 30/166 R, 155, 158, 150,
160, 161, 162, 335**

[56] **References Cited**

U.S. PATENT DOCUMENTS

D. 257,943	1/1981	Finlay	D8/95
D. 288,400	2/1987	Vosbikian	D8/107
2,948,961	8/1960	Ortner	30/162
3,338,278	8/1967	Reuterfors	D8/95
4,226,020	10/1980	Quenot et al.	30/162

FOREIGN PATENT DOCUMENTS

166973 10/1950 Austria 30/155

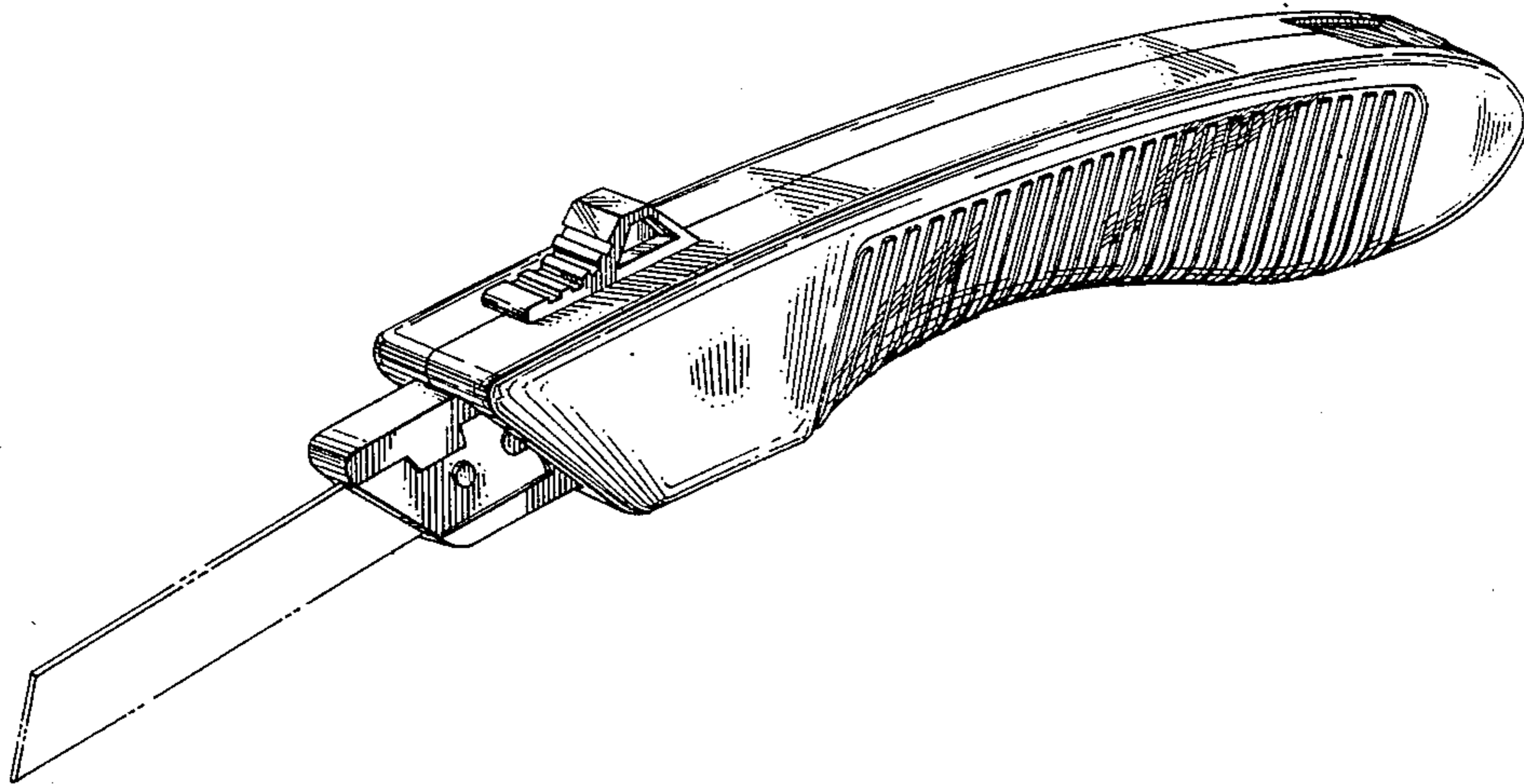
Primary Examiner—James M. Gandy

[57] **CLAIM**

The ornamental design for a folding pocket saw handle, as shown and described.

DESCRIPTION

FIG. 1 is a perspective view of a folding pocket saw handle showing my new design, it being understood that the broken line showing of a blade is for illustrative purposes only and forms no part of the claimed design; FIG. 2 is a top plan view thereof; FIG. 3 is a front elevational view thereof; FIG. 4 is a rear elevational view thereof; FIG. 5 is a side elevational view thereof; FIG. 6 is an elevational view of the side opposite from that illustrated in FIG. 5; FIG. 7 is a bottom plan view thereof; and FIG. 8 is a side elevational view thereof, with the blade in folded condition.



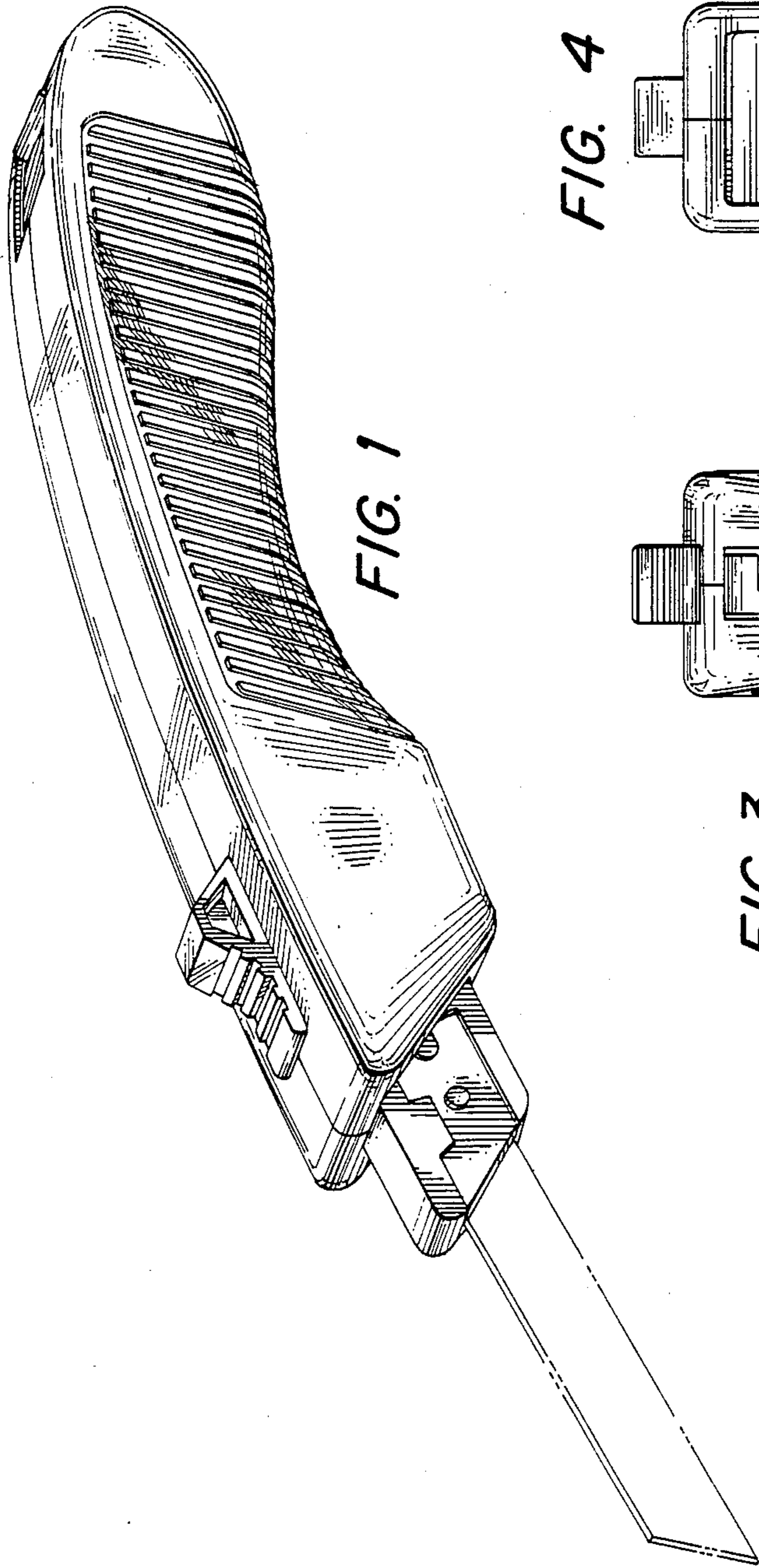


FIG. 4

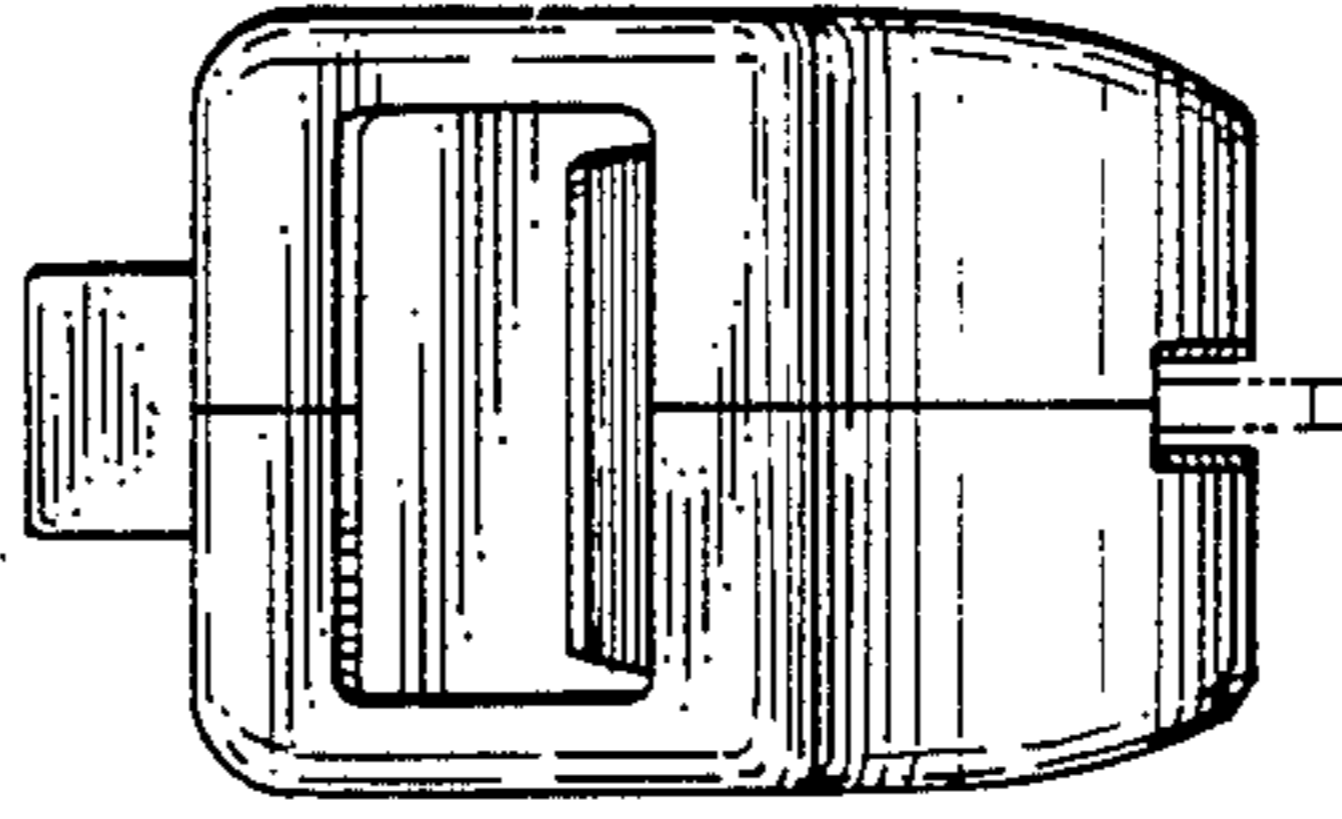
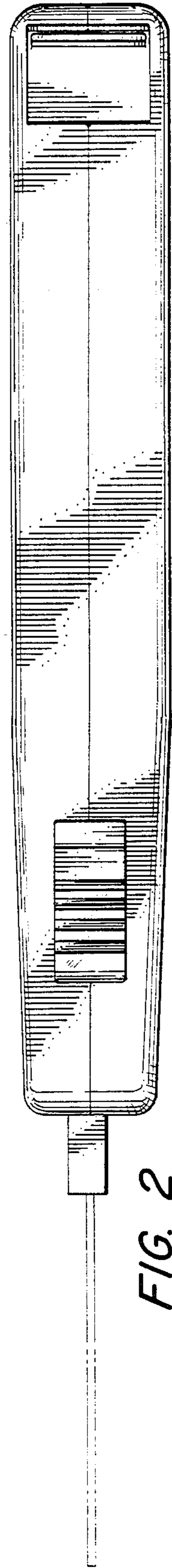
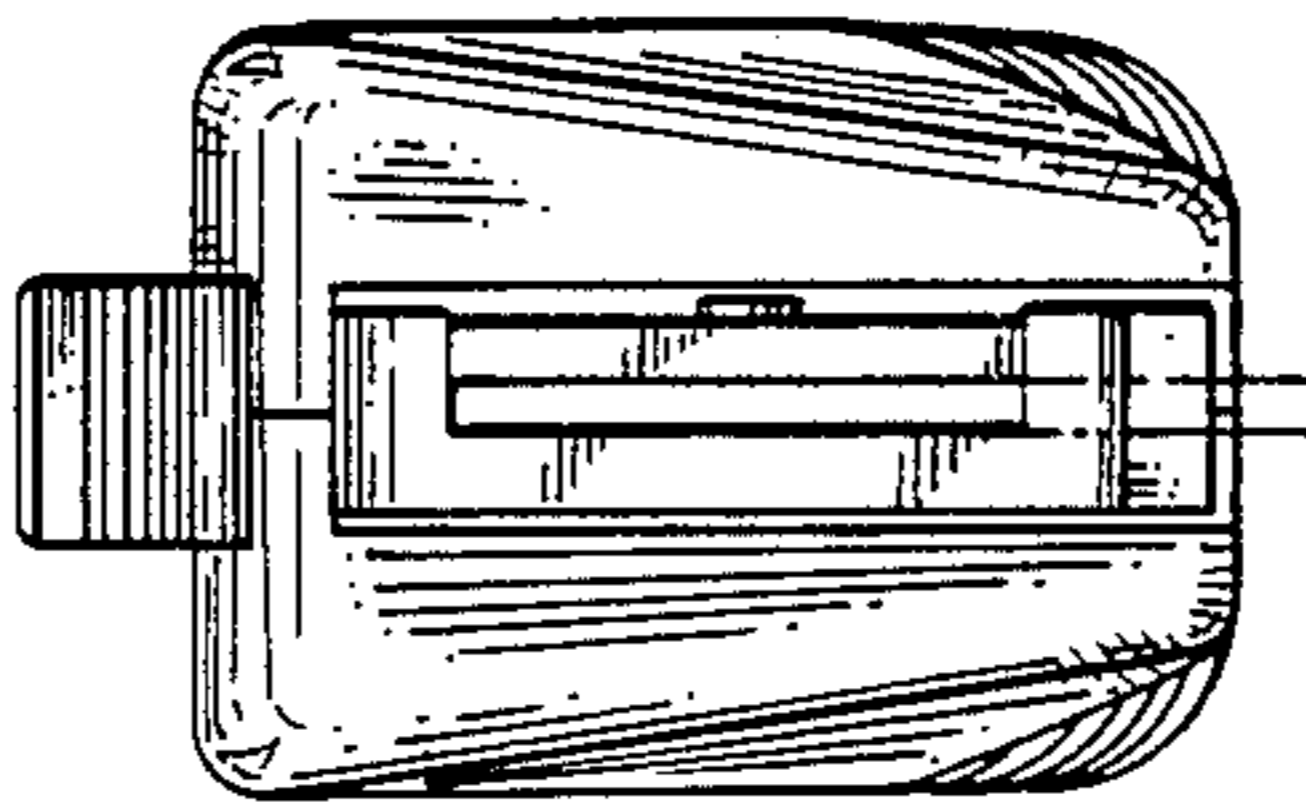
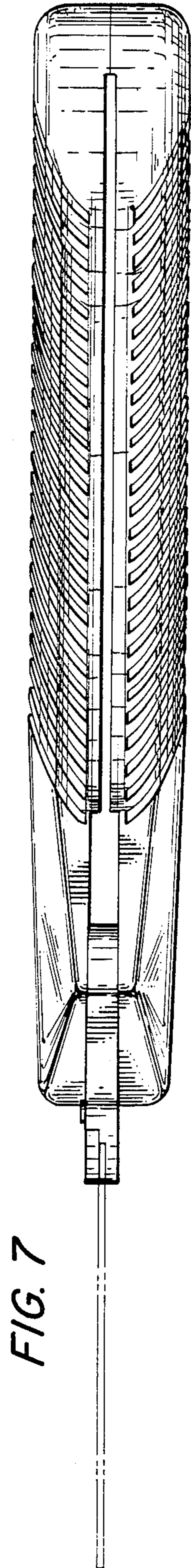
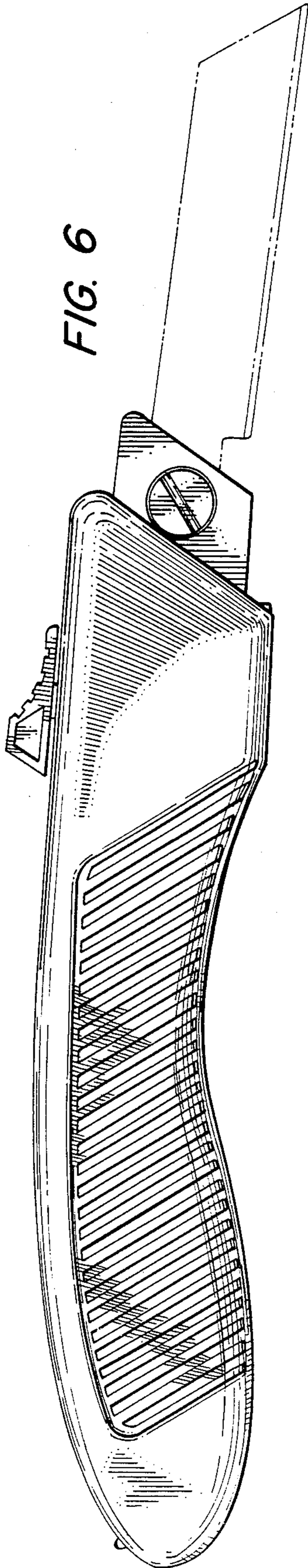
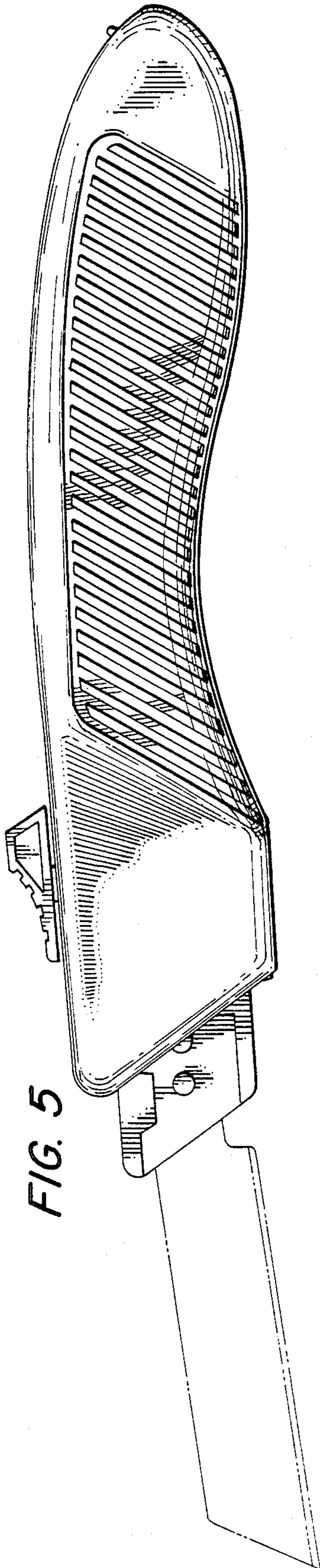


FIG. 3





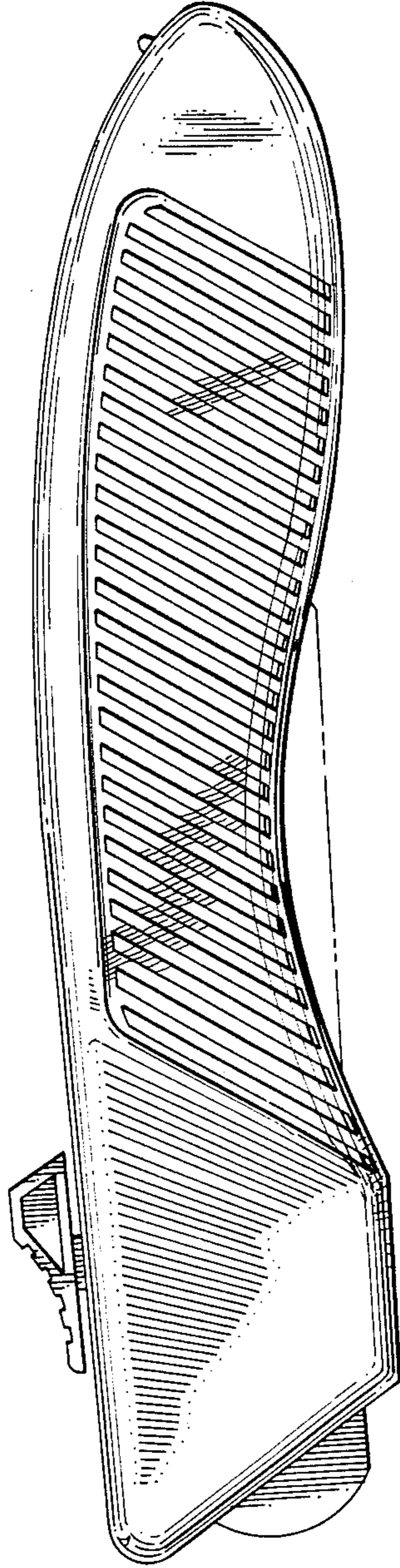


FIG. 8