

[54] **AXE**

[76] **Inventor: Ron Zabarte, 70 Alberta Terr., Walnut Creek, Calif. 94596**

[**] **Term: 14 Years**

[21] **Appl. No.: 104,490**

[22] **Filed: Oct. 5, 1987**

[52] **U.S. Cl. D8/76; D8/105**

[58] **Field of Search D8/75-81, D8/105, 20; D7/106; 81/19-27; 30/308, 308.1, 308.2, 308.3; 7/143-145, 122**

[56] **References Cited**

U.S. PATENT DOCUMENTS

D. 256,322	8/1980	Zabarte	D8/76
1,404,660	1/1922	Shugart	30/308.1
1,643,861	9/1927	Szakacs	30/308.1
3,735,434	5/1973	Penberthy	30/308.1

FOREIGN PATENT DOCUMENTS

80031	1/1951	Czechoslovakia	30/308.1
-------	--------	----------------	-------	----------

OTHER PUBLICATIONS

Woodings-Verona Tool Works Ad. in Hardware Age, Jul. 22, 1965, p. 69, item 106-Cutter.
The Warren Group Catalog #375, p. 3, Cutter Mat-tocks No. 22.

Primary Examiner—Wallace R. Burke
Assistant Examiner—Clare E. Heflin
Attorney, Agent, or Firm—Harris Zimmerman

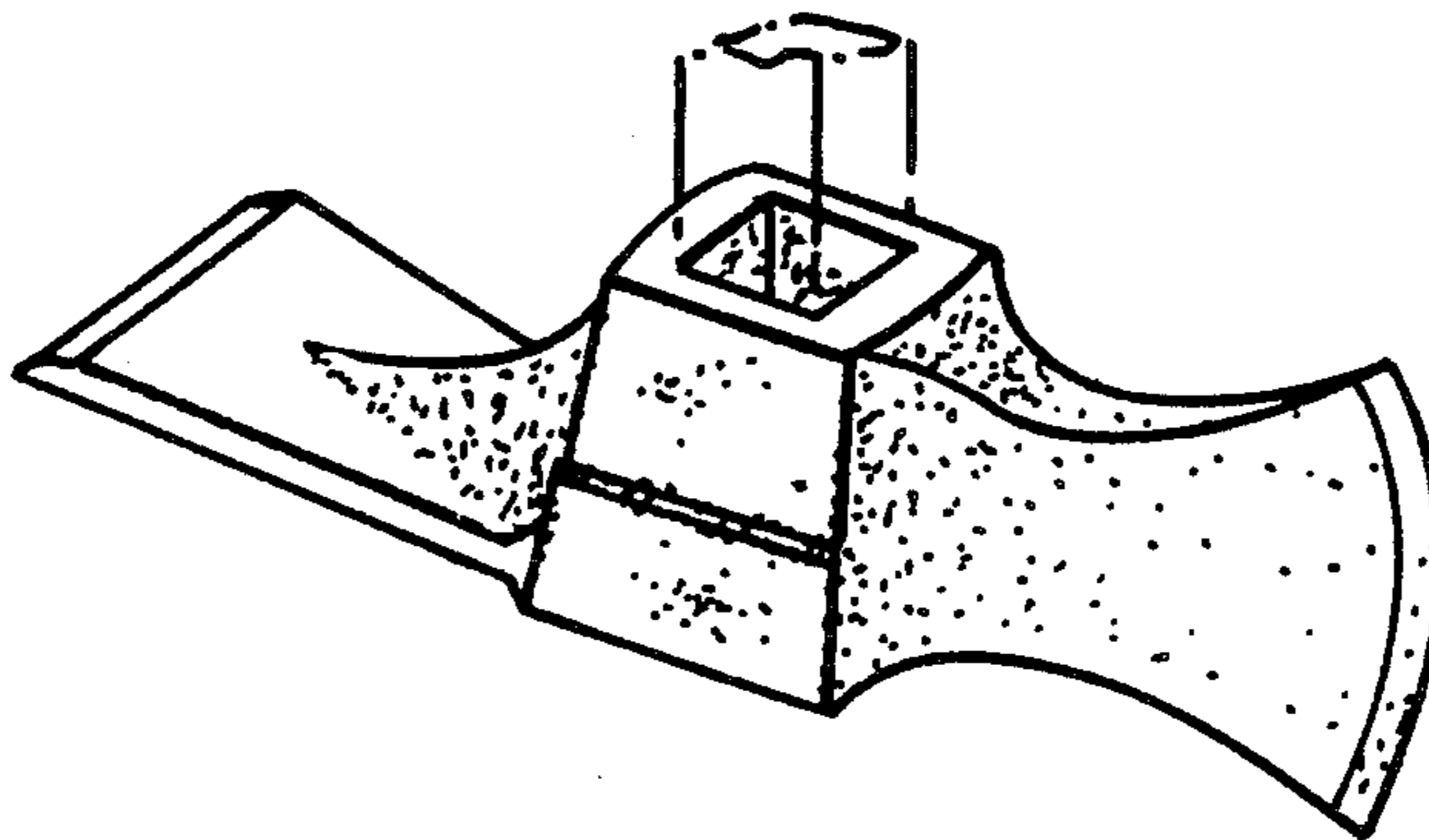
[57] **CLAIM**

The ornamental design for an axe, as shown and de-scribed.

DESCRIPTION

FIG. 1 is a reduced perspective view of an axe showing my new design;
FIG. 2 is a top plan view thereof;
FIG. 3 is a side elevational view thereof;
FIG. 4 is a bottom plan view thereof;
FIG. 5 is a one end elevational view thereof;
FIG. 6 is the other end elevational view thereof; and
FIG. 7 is a cross-sectional view thereof taken on the line 7-7 of FIG. 4.

The broken line showing of the tool handle in FIG. 1 is for illustrative purposes only and forms no part of the claimed design.



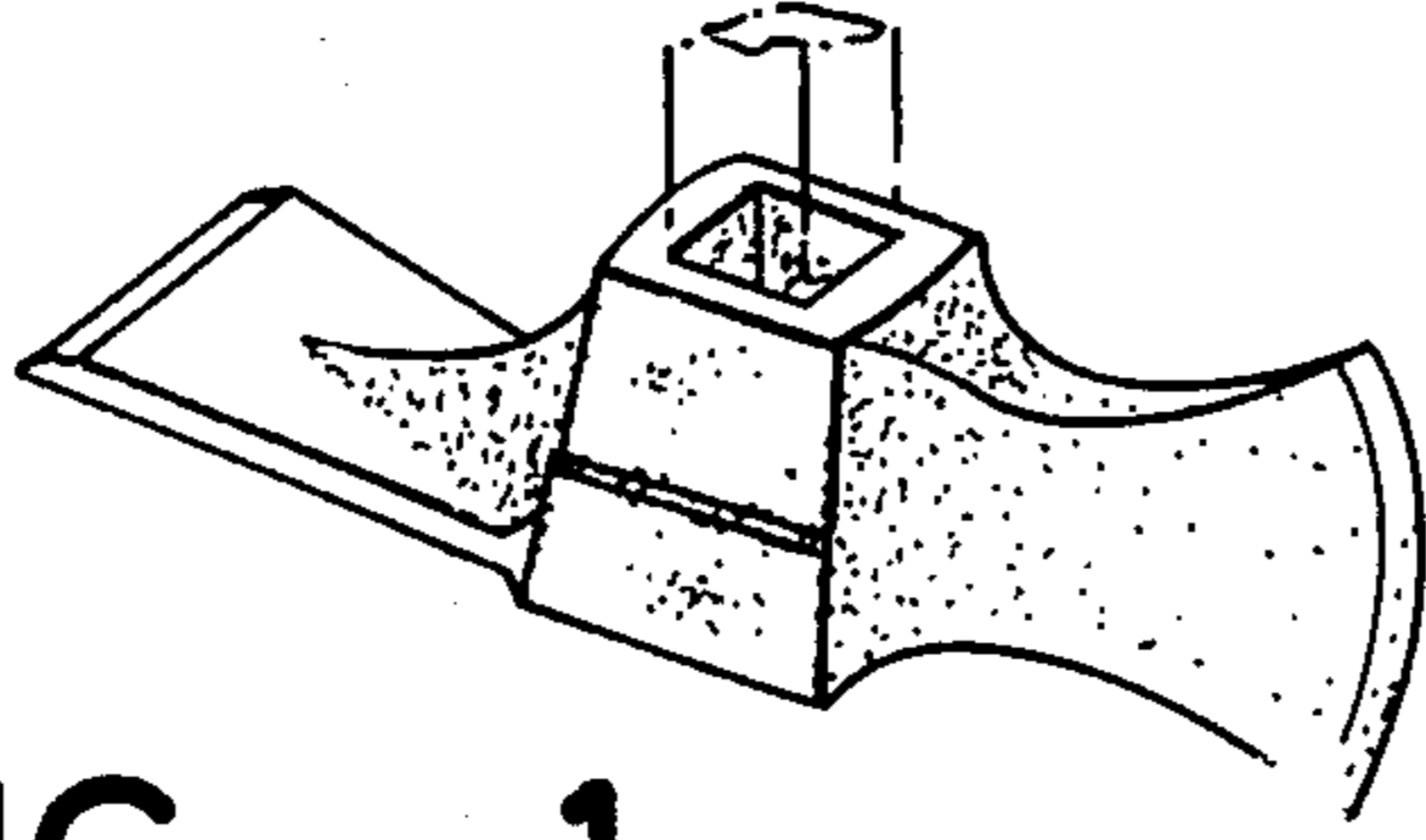


FIG _ 1



FIG _ 7

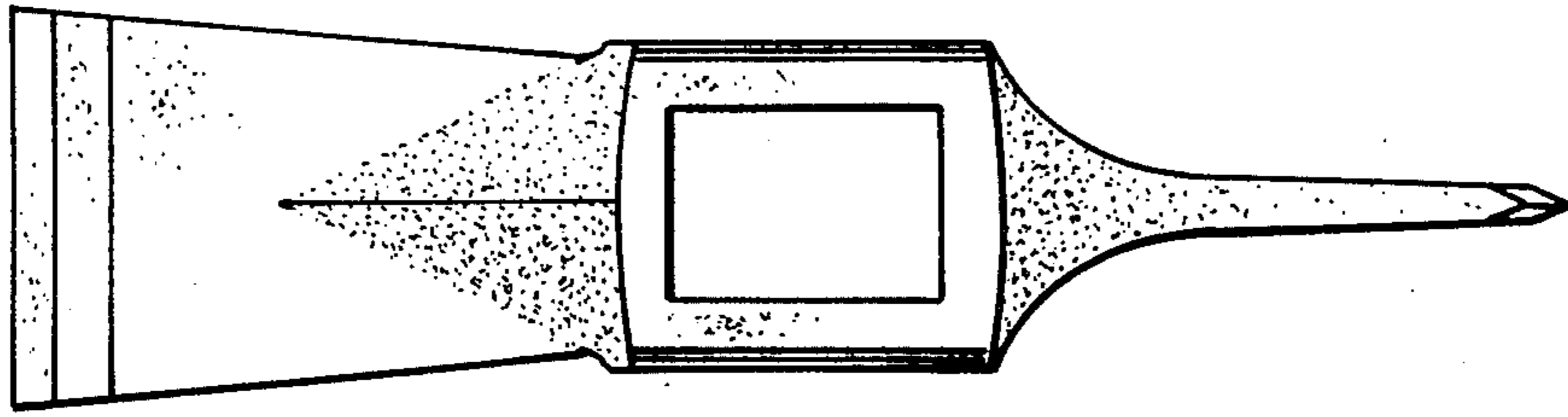


FIG _ 2

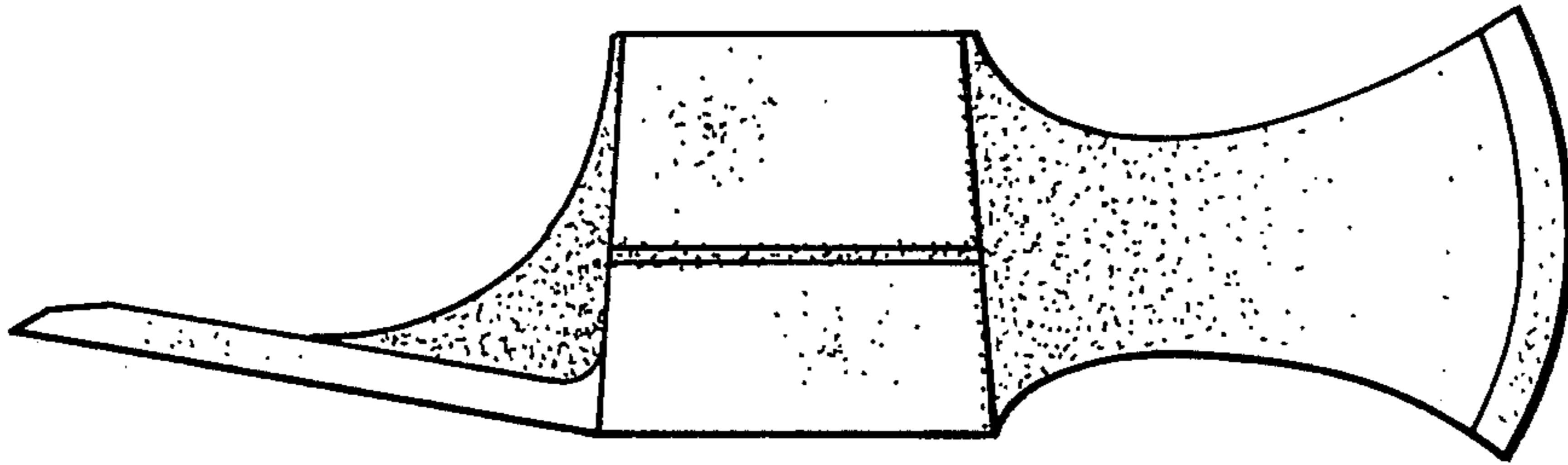


FIG _ 3

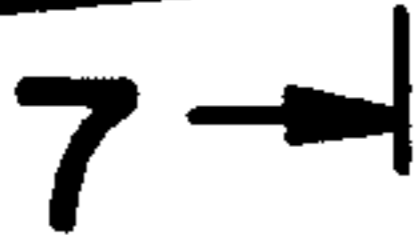
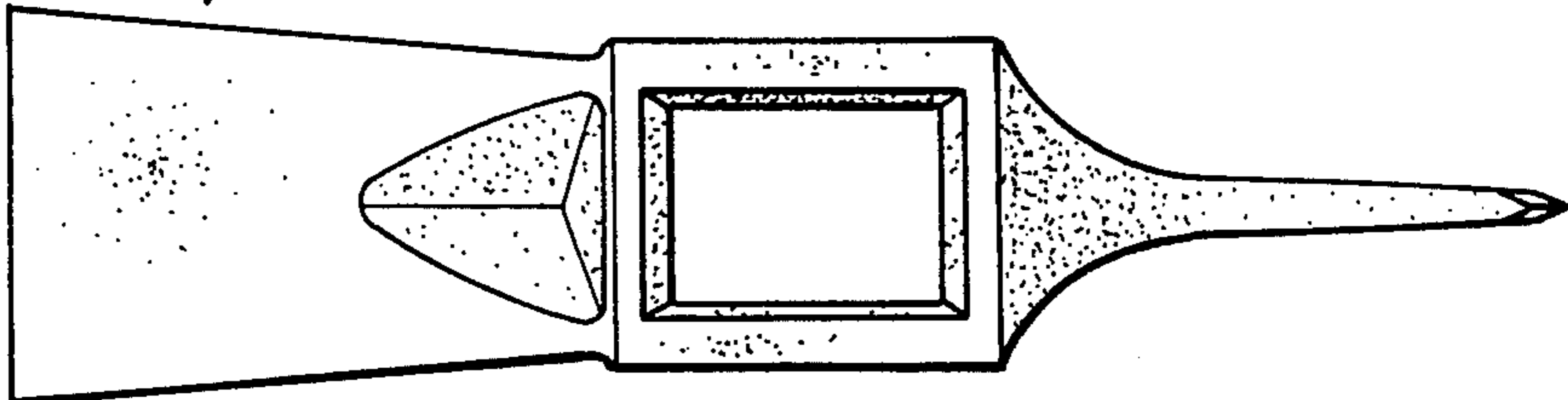
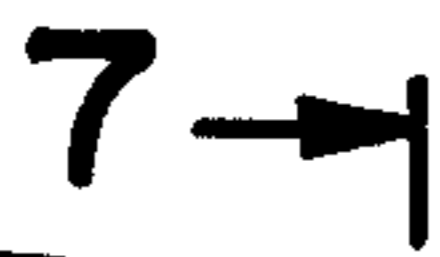


FIG _ 4

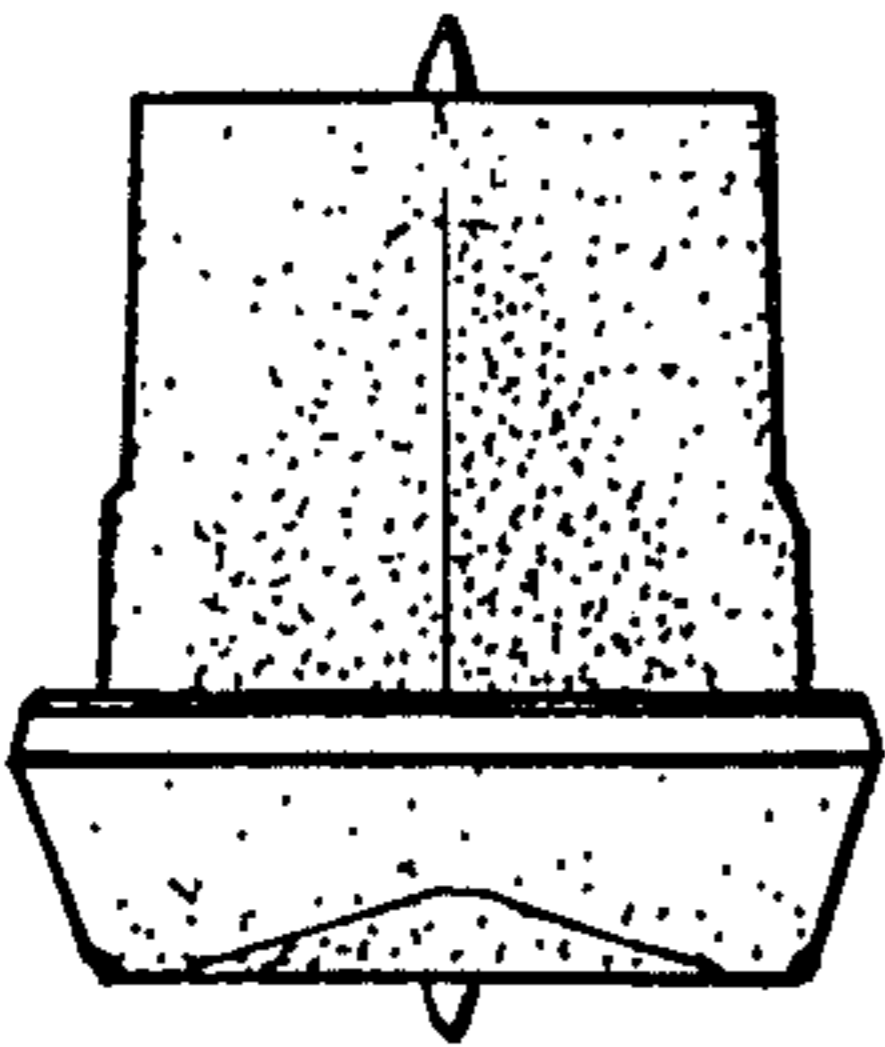


FIG _ 5

FIG _ 6

