

[54] ELECTRIC HOTPLATE

[75] Inventors: Robert Kicherer; Felix Schreder, both of Oberderdingen, Fed. Rep. of Germany

[73] Assignee: E.G.O. Elektro-Geräte Blanc u. Fischer, Fed. Rep. of Germany

[**] Term: 14 Years

[21] Appl. No.: 916,028

[22] Filed: Oct. 6, 1986

[30] Foreign Application Priority Data

Apr. 10, 1986 [DE] Fed. Rep. of Germany ... MR II/141 BR

[52] U.S. Cl. D7/367

[58] Field of Search D7/362-363, D7/365-367, 407-408; 219/443-445, 448-451, 455, 457-461, 464-465, 491; 99/422

[56] References Cited

U.S. PATENT DOCUMENTS

D. 249,863	10/1978	Fischer	D7/121
1,096,928	5/1914	Kuhn	219/443
3,931,495	1/1976	Dzaack et al.	219/451
4,311,899	1/1982	Goessler	219/461
4,348,581	9/1982	Fischer et al.	219/460
4,410,793	10/1983	Fischer et al.	219/460

Primary Examiner—Wallace R. Burke
Assistant Examiner—Ruth Takemoto
Attorney, Agent, or Firm—Steele, Gould & Fried

[57] CLAIM

We claim the ornamental design for a electric hotplate, as shown or described.

DESCRIPTION

FIG. 1 is a bottom perspective view of an electric hotplate showing our new design;
FIG. 2 is a bottom plan view thereof;
FIG. 3 is a side elevational view thereof;
FIG. 4 is a top plan view thereof;
FIG. 5 is a front elevational view thereof;
FIG. 6 is a rear elevational view thereof; and
FIG. 7 is a side elevational view thereof, of the opposite side of FIG. 3.

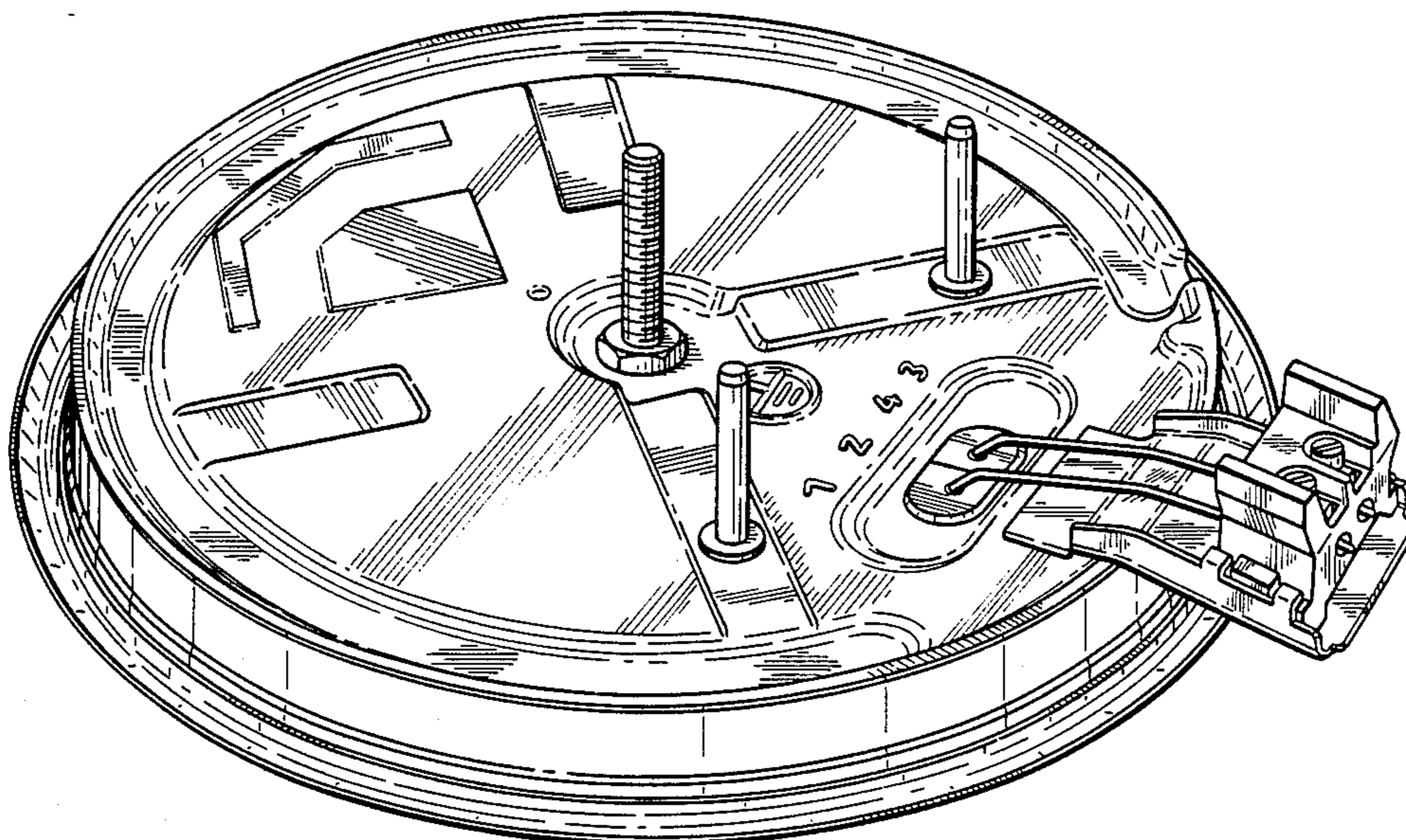
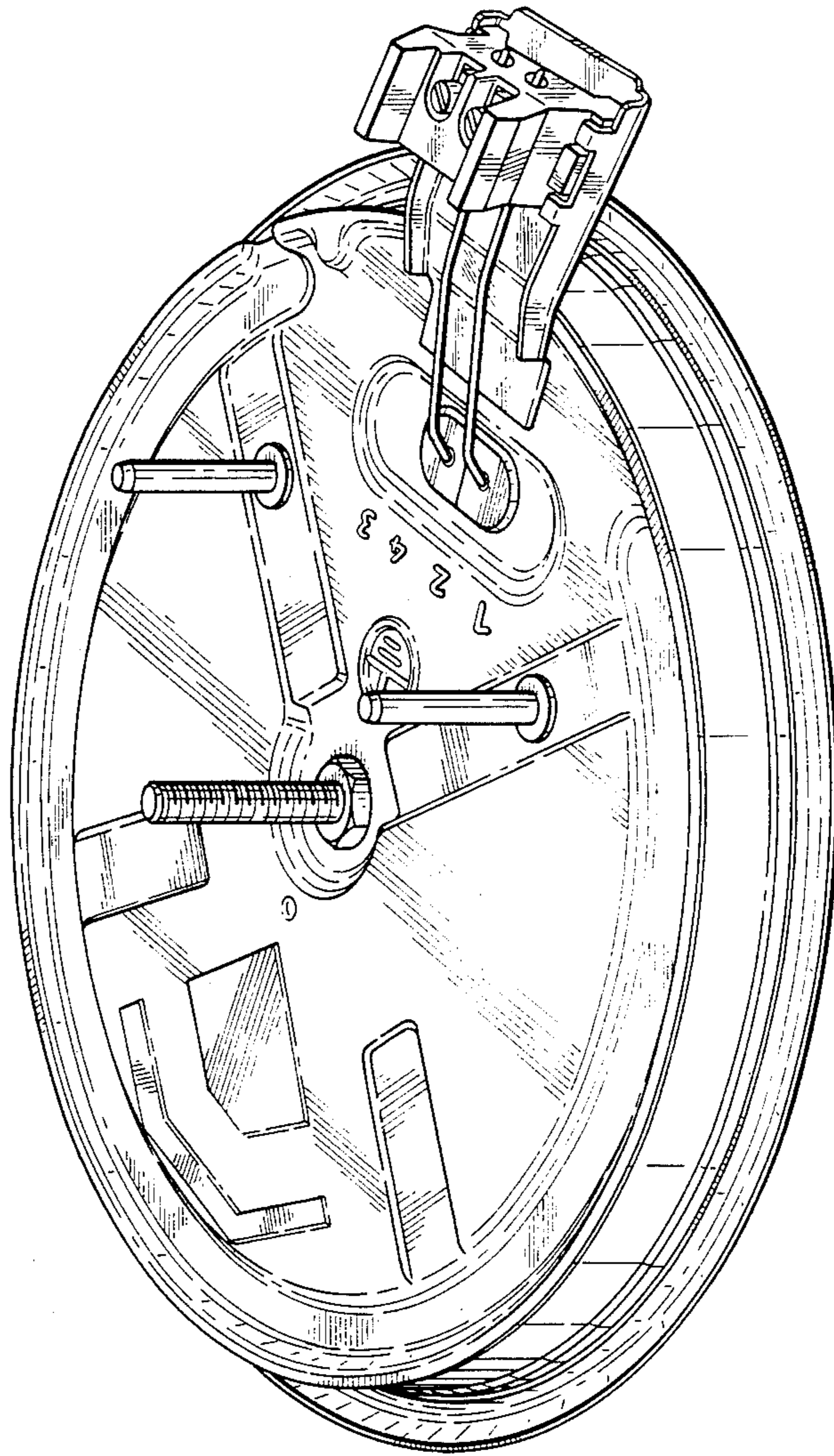


FIG. 1



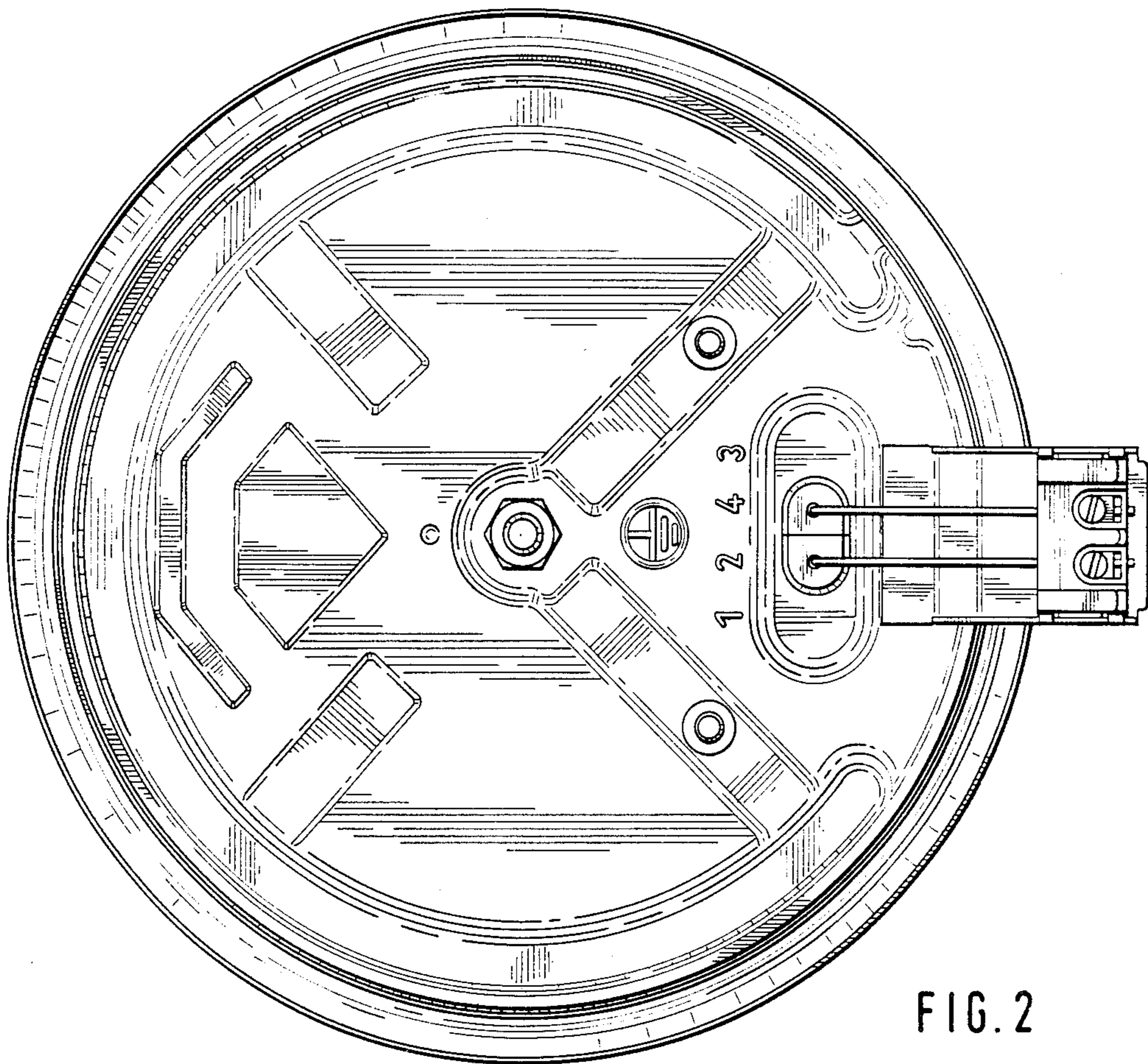
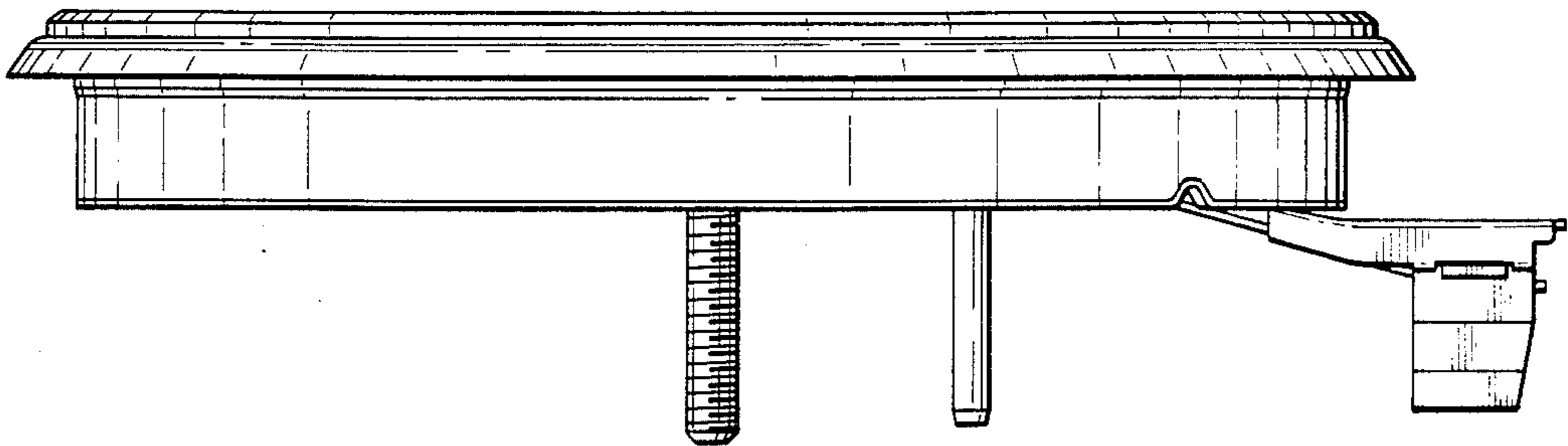


FIG. 3



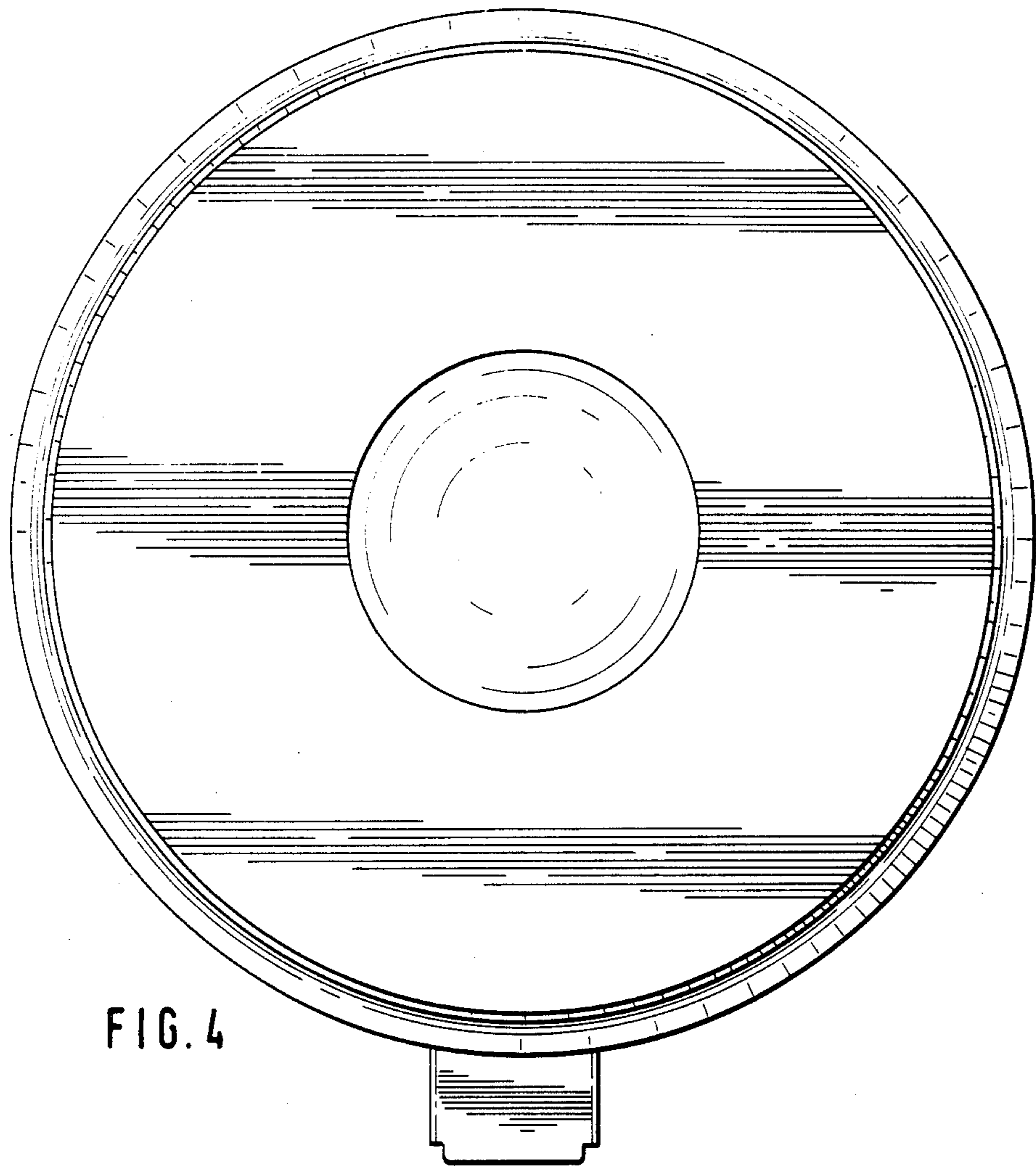


FIG. 4

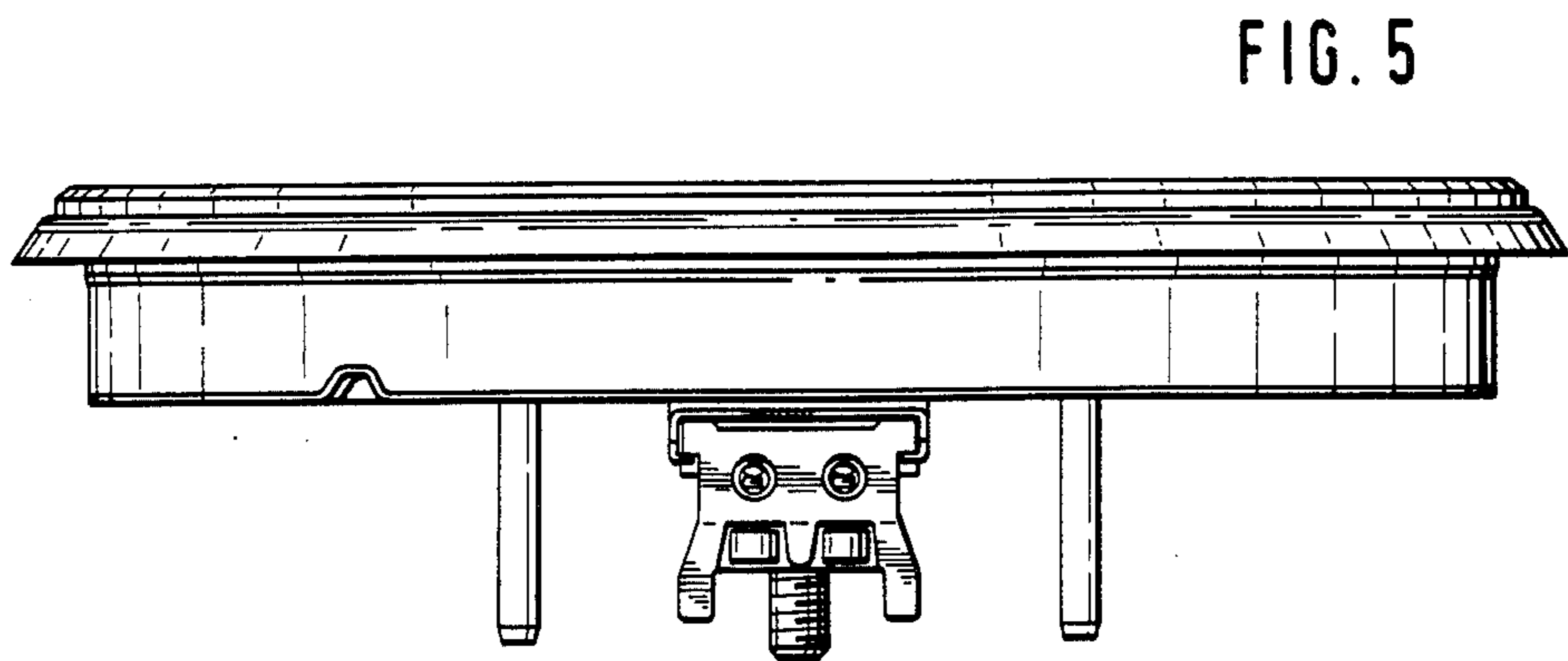


FIG. 5

FIG. 6

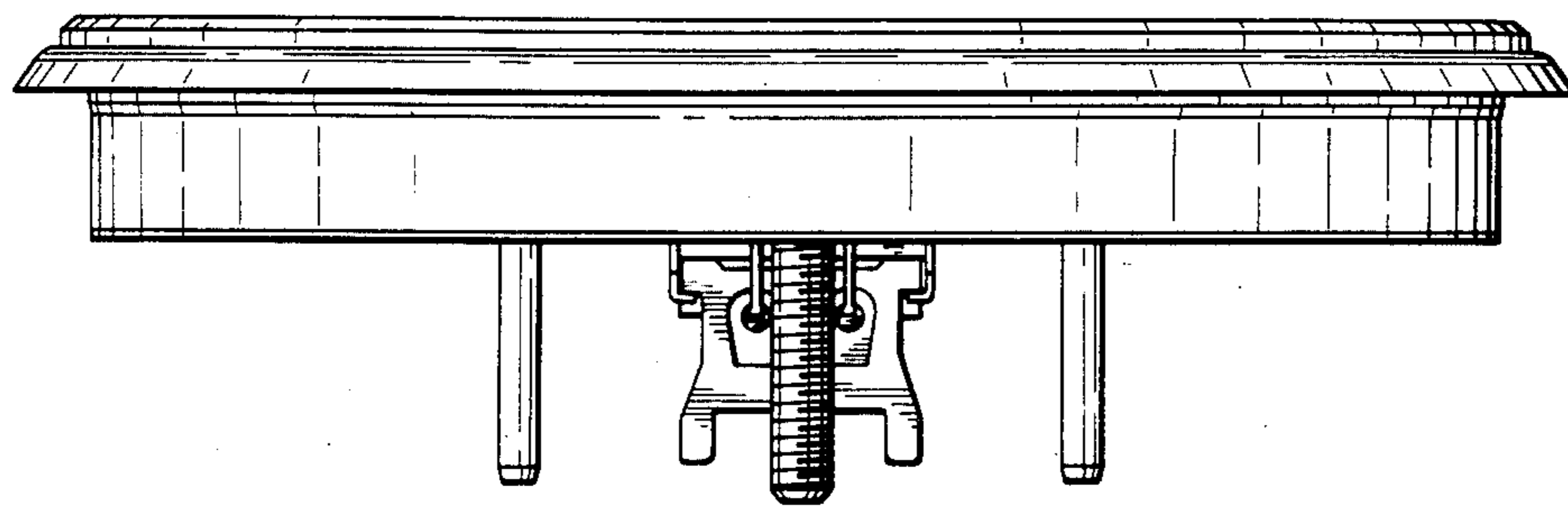


FIG. 7

