

United States Patent [19]

Demanczyk, Jr.

[11] Patent Number: Des. 299,404

[45] Date of Patent: ** Jan. 17, 1989

[54] MODIFIED CRAB MALLET

2,019,009 10/1935 Hendrix 17/30

[76] Inventor: John Demanczyk, Jr., 1321
Sycamore Ave., Elsmere, Del. 19805

Primary Examiner—Bernard Ansher
Assistant Examiner—Terry Pfeffer
Attorney, Agent, or Firm—John G. Abramo

[**] Term: 14 Years

[21] Appl. No.: 859,745

[22] Filed: May 5, 1986

[52] U.S. Cl. D7/101

[58] Field of Search D7/101, 99; 17/30, 71,
17/73, 66

[57] CLAIM

The ornamental design for the modified crab mallet, shown and described.

DESCRIPTION

FIG. 1 is a left side elevational view of a modified crab mallet showing my new design; FIG. 2 is a top plan view thereof; FIG. 3 is a bottom plan view thereof; FIG. 4 is a front elevational view thereof; and FIG. 5 is a rear elevational view thereof.

[56] References Cited

U.S. PATENT DOCUMENTS

1,106,642 8/1914 Farland 17/30 X

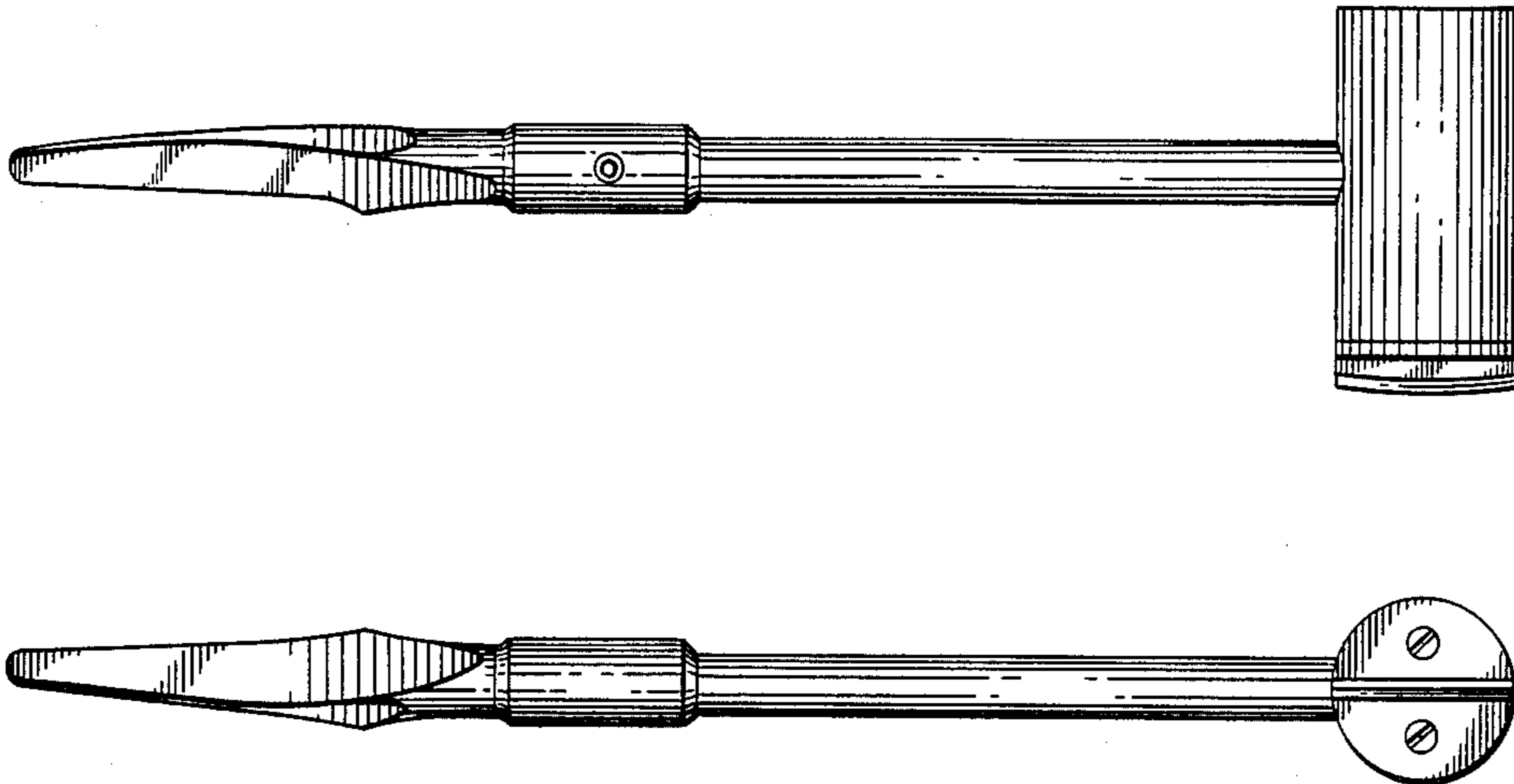


Fig. 2.

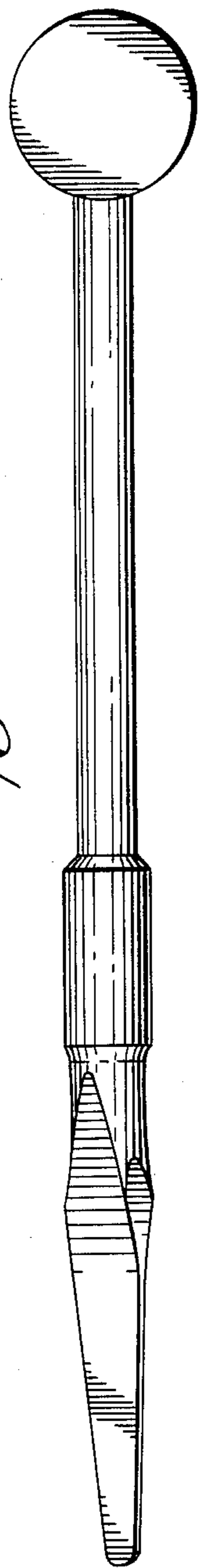


Fig. 4.

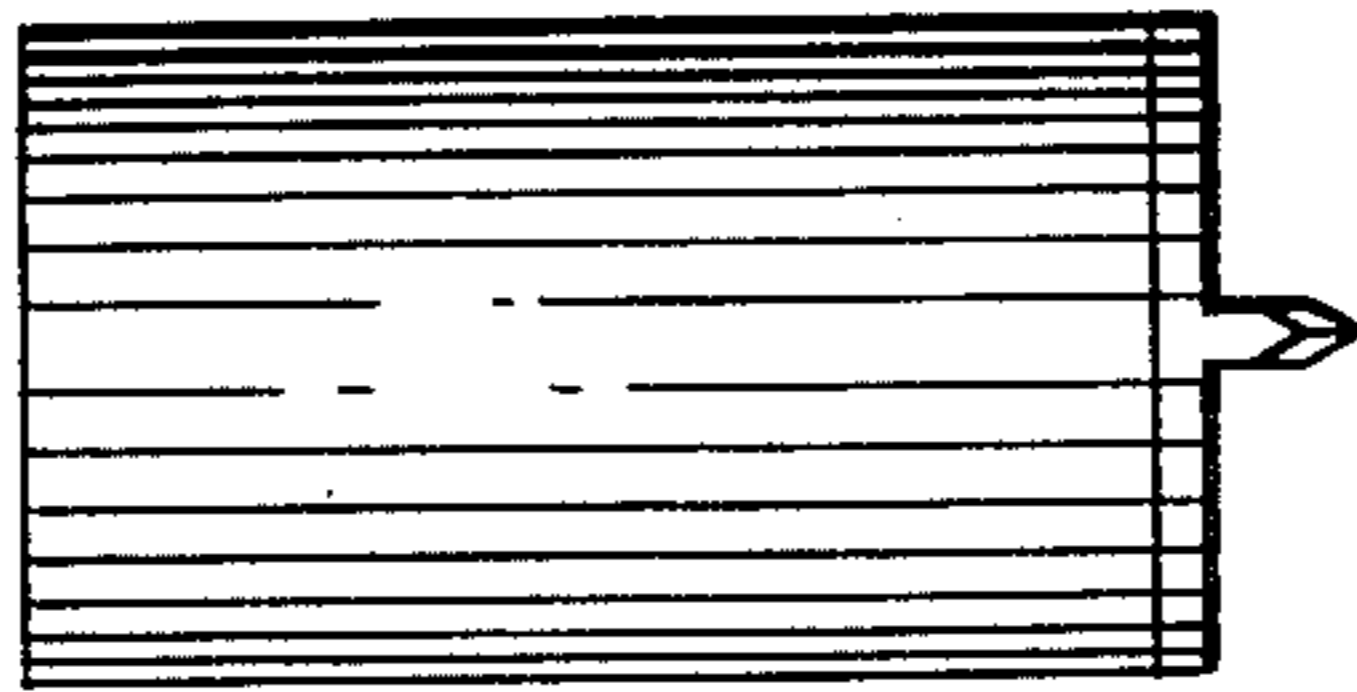


Fig. 1.

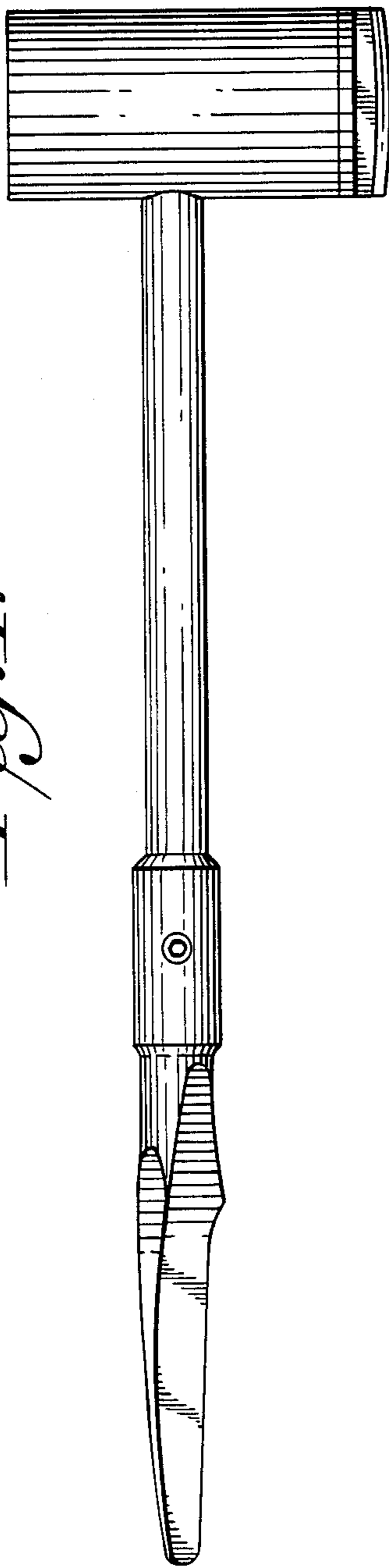


Fig. 3.

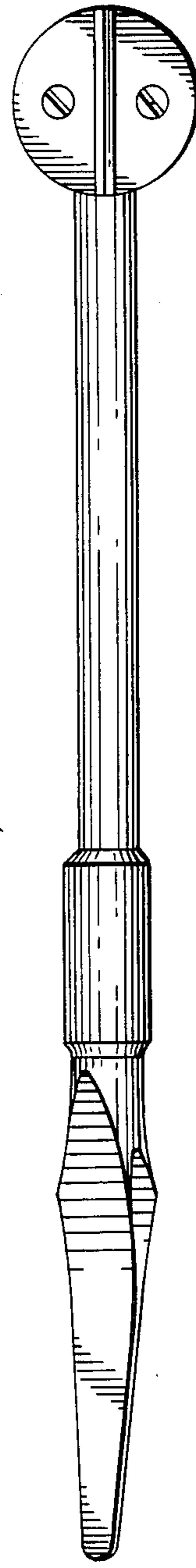


Fig. 5.

