

# United States Patent [19]

Ancona et al.

[11] Patent Number: Des. 299,402

[45] Date of Patent: \*\* Jan. 17, 1989

[54] UTENSIL CADDY

435,023 8/1890 Robinson ..... 211/71 X

[75] Inventors: Jane Ancona; Bruce Ancona, both of New York, N.Y.

Primary Examiner—Bernard Ansher  
Assistant Examiner—Terry Pfeffer  
Attorney, Agent, or Firm—Henry R. Lerner

[73] Assignee: M. Kamenstein, Inc., White Plains, N.Y.

## [57] CLAIM

[\*\*] Term: 14 Years

The ornamental design for a utensil caddy, as shown and described.

[21] Appl. No.: 144,081

[22] Filed: Jan. 15, 1988

## DESCRIPTION

[52] U.S. Cl. .... D7/73

[58] Field of Search ..... D6/449, 455, 457-460,  
D6/465, 468-469, 473-476; D7/2, 4, 70, 73-74;  
211/60.1, 70.7, 71, 77, 78; 248/37.3

FIG. 1 is a perspective view of a utensil caddy showing our new design, the utensils shown in the broken lines for illustration purposes only;

FIG. 2 is a top plan view thereof;

FIG. 3 is a front elevational view thereof, the opposite side being a mirror image;

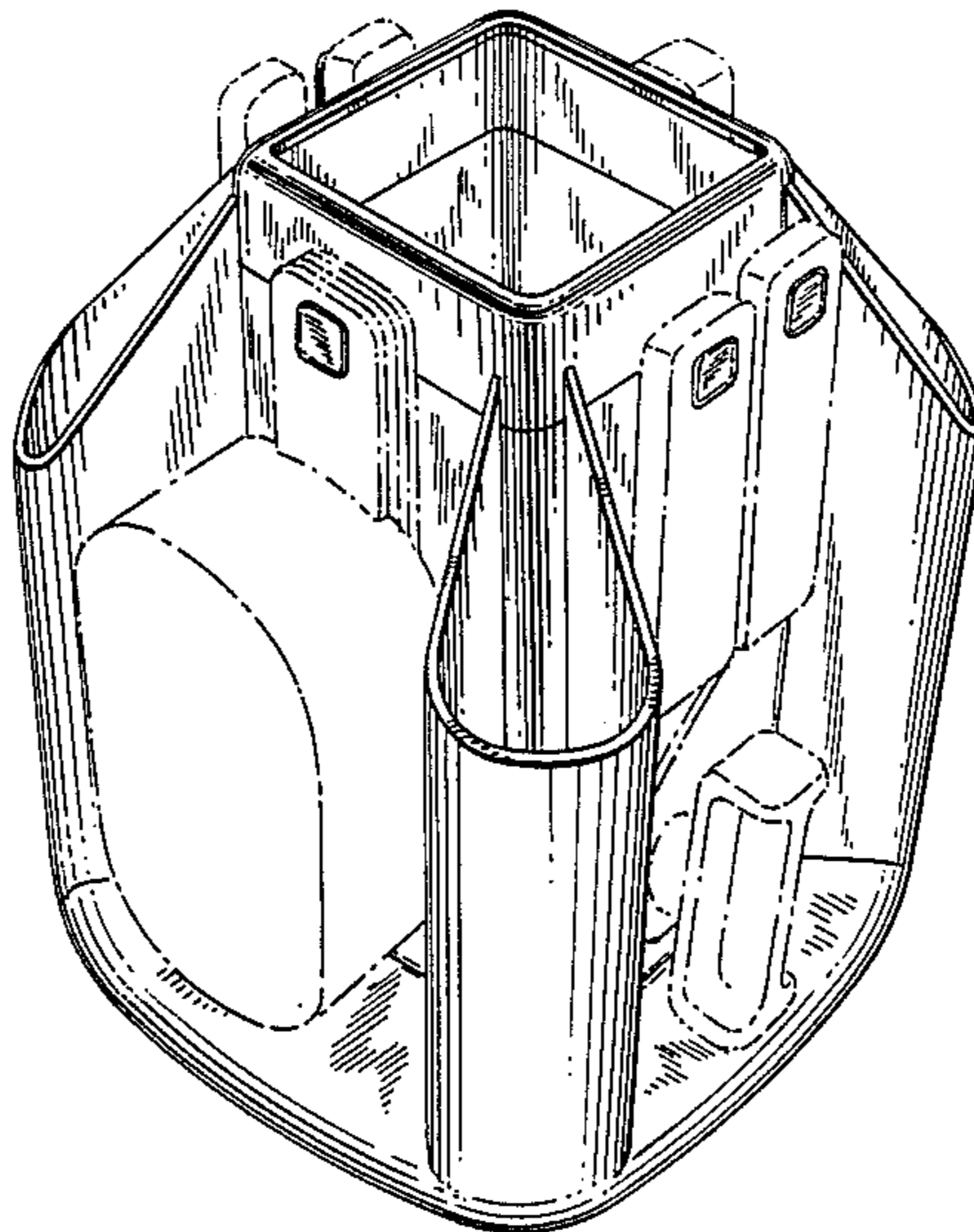
FIG. 4 is a left side elevational view thereof, the opposite side being a mirror image; and

FIG. 5 is a bottom plan view thereof.

[56] References Cited

### U.S. PATENT DOCUMENTS

D. 279,950 8/1985 Wan ..... D7/73



*FIG. 1*

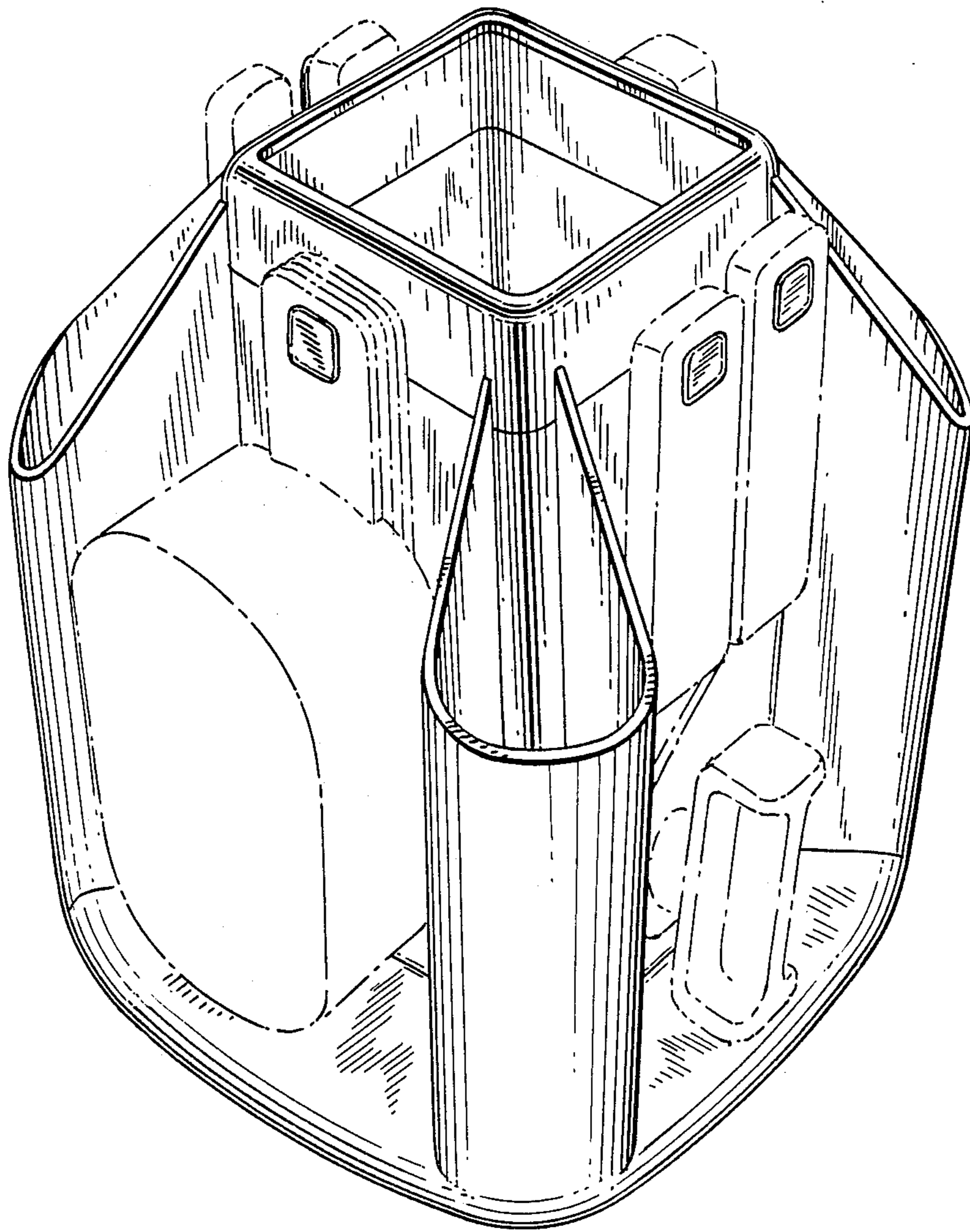


FIG. 3

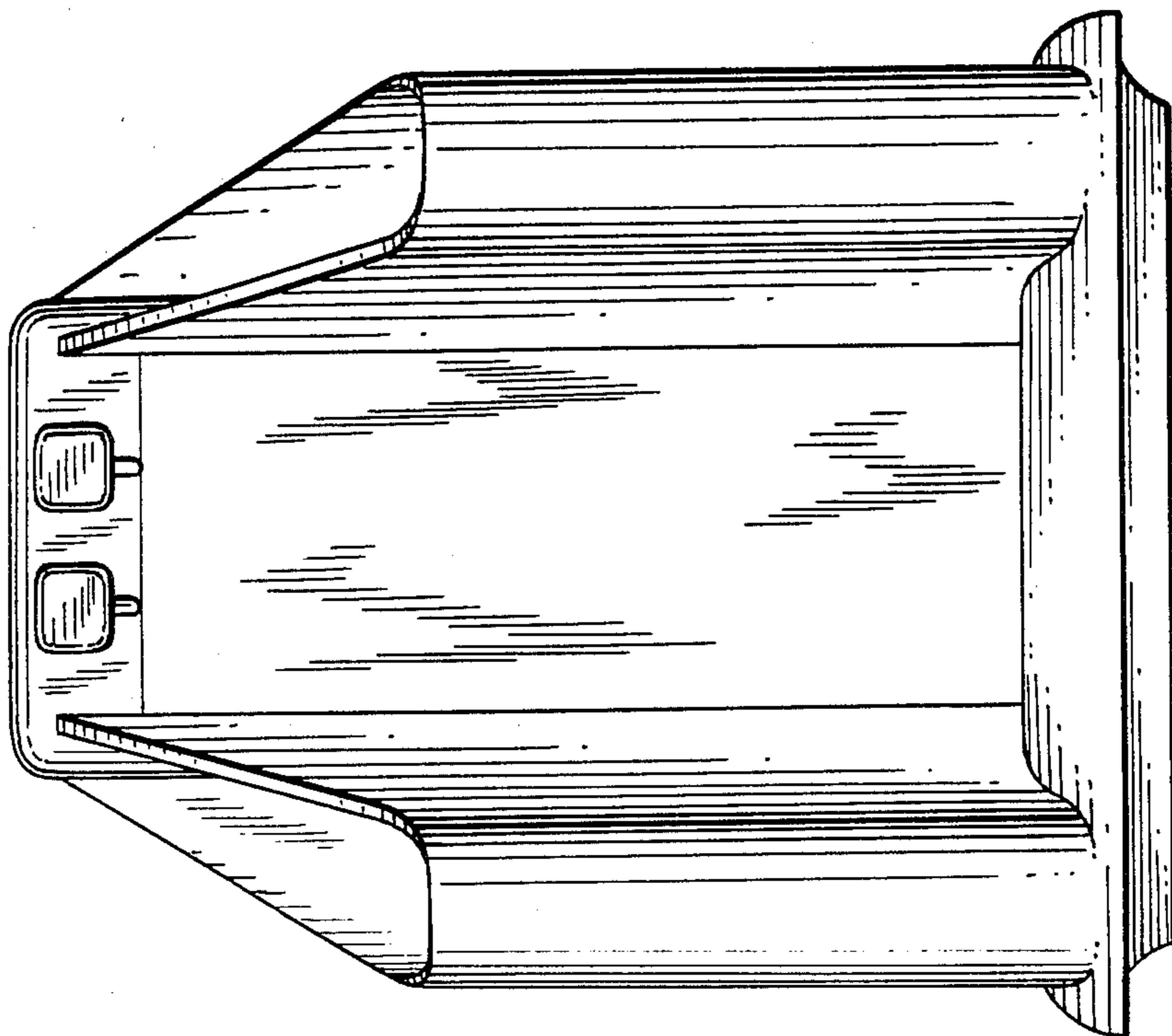


FIG. 2

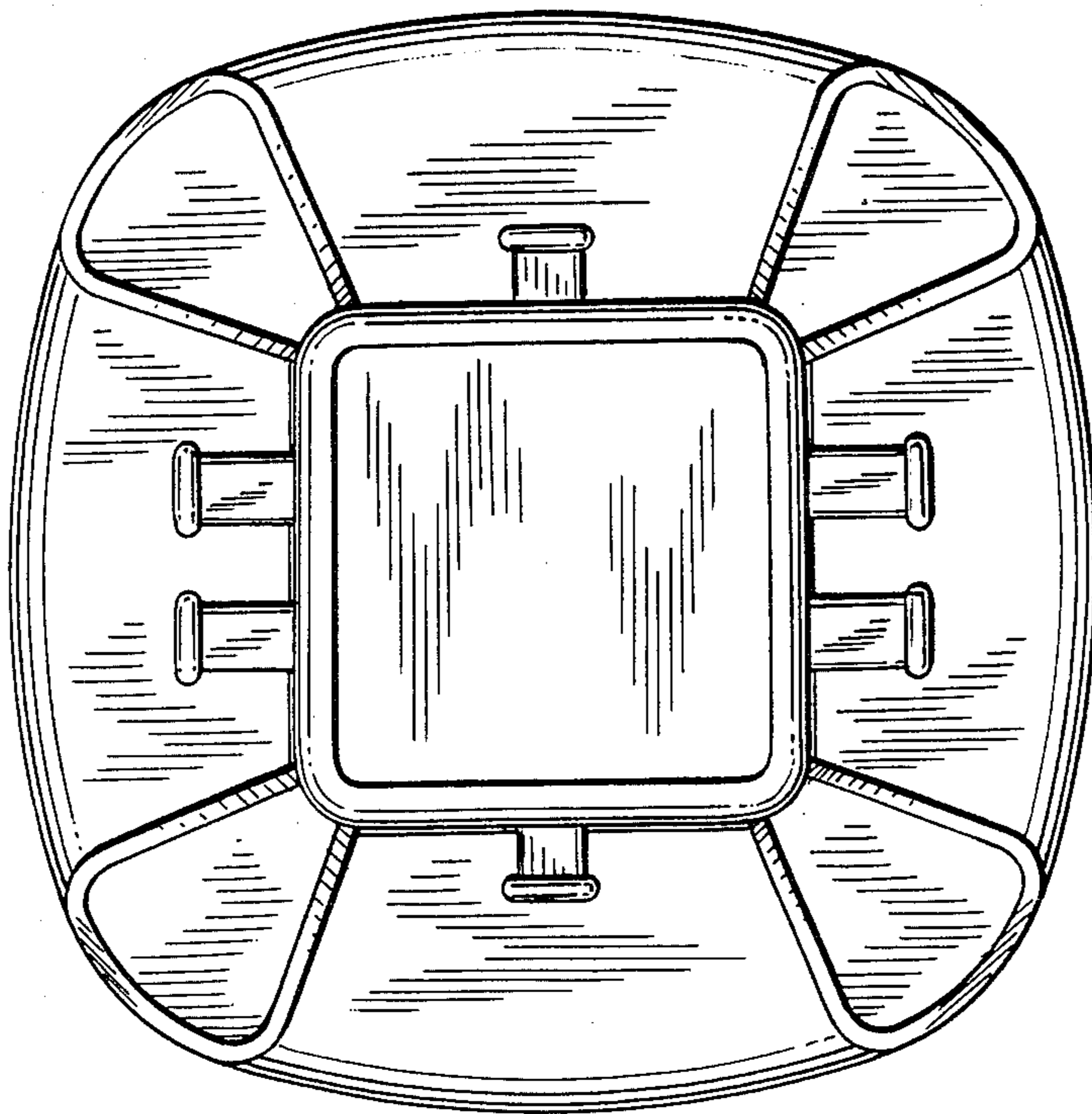


FIG. 5

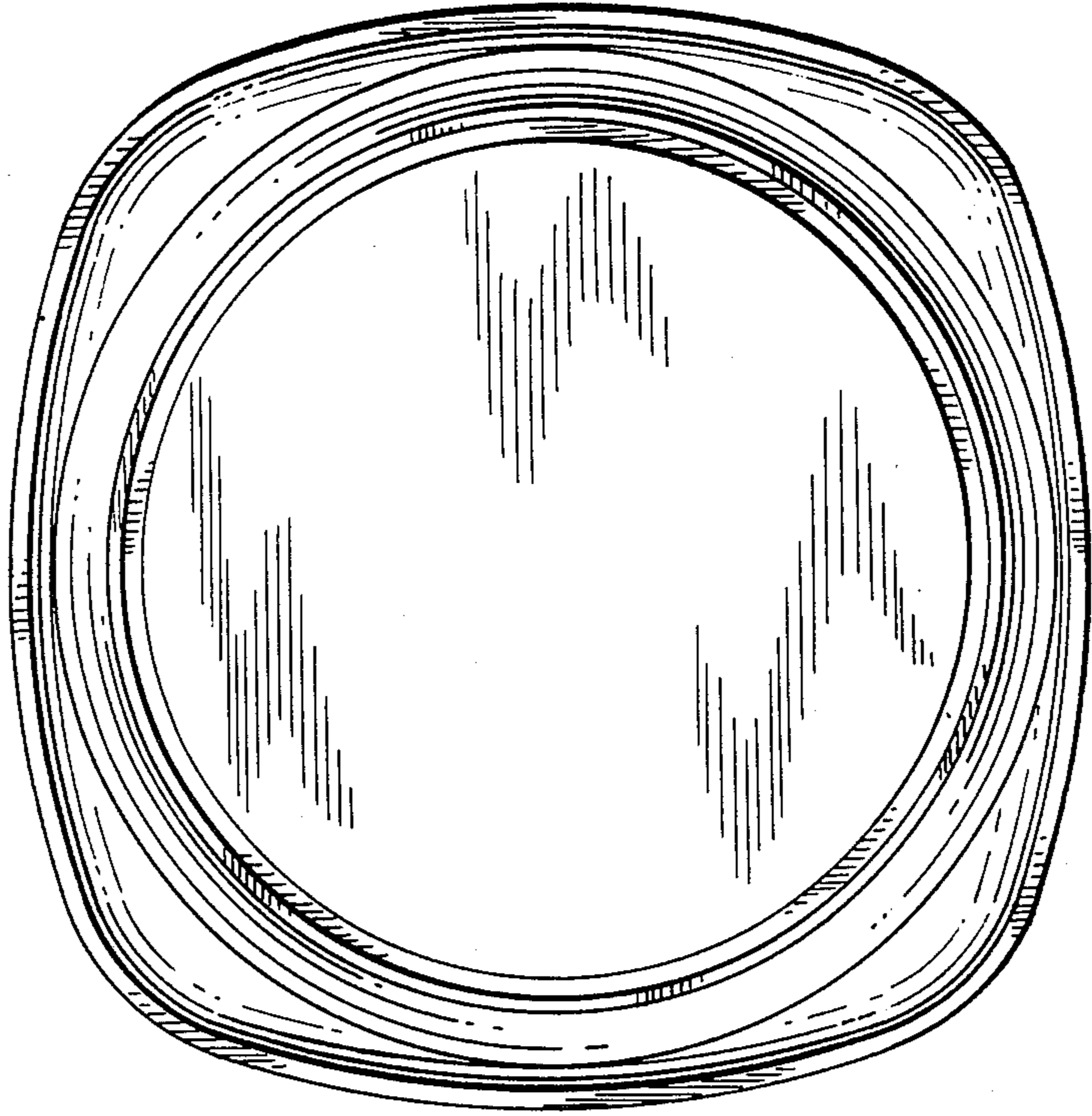


FIG. 4

