

[54] WALL SHELF

[75] Inventors: Peter S. Fayerman, Bryn Mawr;
Leslie A. Meck, Blandan, both of Pa.

[73] Assignee: Baldwin Hardware Corporation,
Reading, Pa.

[**] Term: 14 Years

[21] Appl. No.: 789,178

[22] Filed: Oct. 18, 1985

[52] U.S. Cl. D6/572; D6/574

[58] Field of Search D6/567, 572, 574;
D8/352, 381; 248/235, 239, 250; 211/88, 90,
153, 134; 108/152

[56] References Cited

U.S. PATENT DOCUMENTS

D. 274,023 5/1984 Borocho D6/574
4,376,521 3/1983 Walters 211/90

FOREIGN PATENT DOCUMENTS

0713088 10/1931 France 211/90
0267569 9/1929 Italy 248/235

OTHER PUBLICATIONS

HEWI catalog; eff. 1/1982; p. 105.16a; Shelf Bracket
475.0.200 (top of page).

HEWI catalog; eff. 1/1982; p. 103.32a; Back Plate
548GS (bottom of page.)

Primary Examiner—B. J. Bullock
Attorney, Agent, or Firm—Steven L. Permut; Malcolm
L. Sutherland

[57] CLAIM

The ornamental design for a wall shelf, as shown and
described.

DESCRIPTION

FIG. 1 is a perspective view of a wall shelf showing our
new design;

FIG. 2 is an enlarged top plan view thereof;

FIG. 3 is an enlarged front elevational view thereof, the
rear being unornamented;

FIG. 4 is an enlarged bottom plan view thereof;

FIG. 5 is an enlarged left side elevational view thereof,
the side opposite being a mirror image;

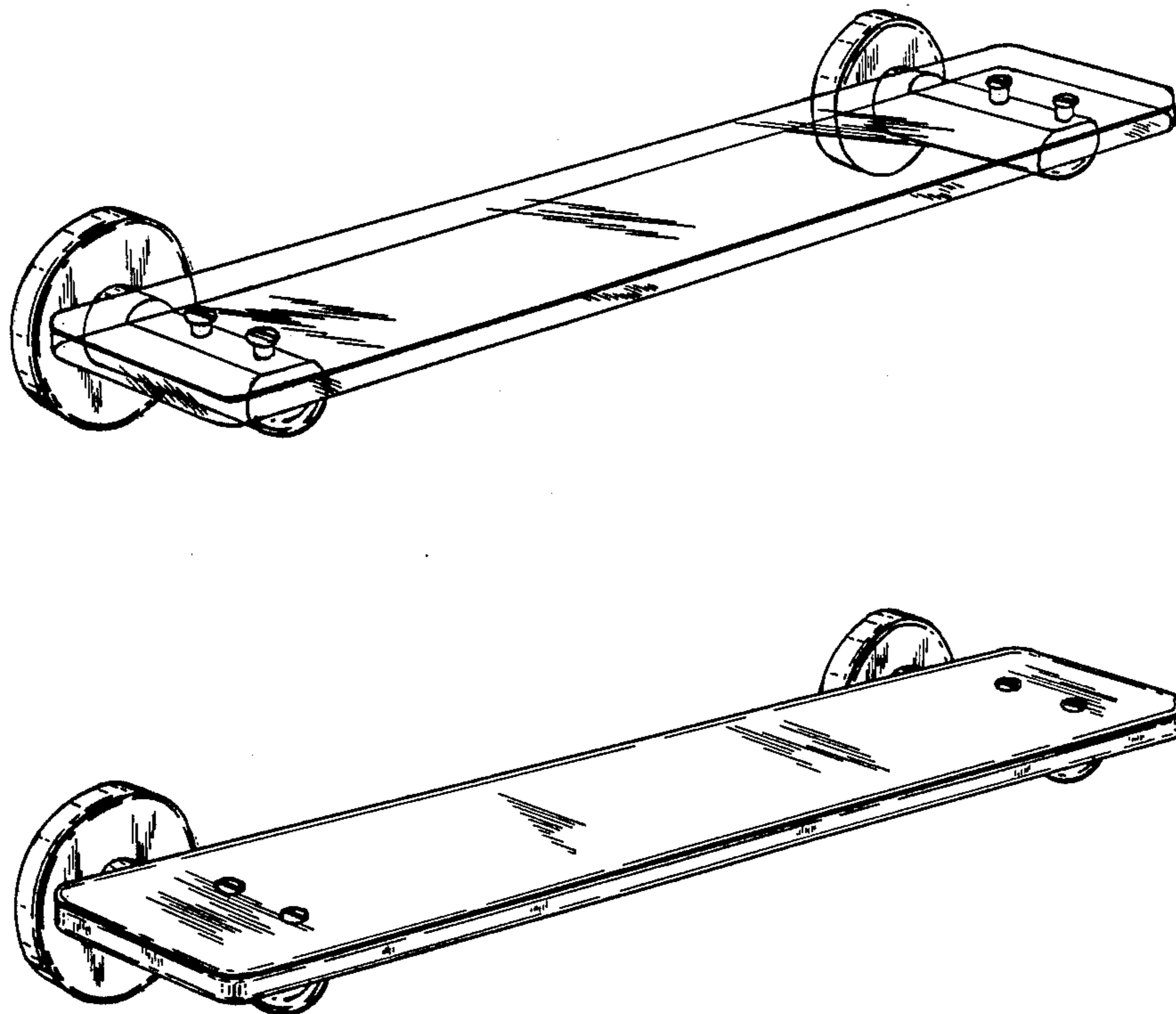
FIG. 6 is a perspective view of a second embodiment of
the design of FIG. 1;

FIG. 7 is an enlarged top plan view of FIG. 6;

FIG. 8 is an enlarged front elevational view of FIG. 6
the rear being unornamented;

FIG. 9 is an enlarged bottom plan view of FIG. 6;

FIG. 10 is an enlarged left side elevational view thereof,
the side opposite being a mirror image.



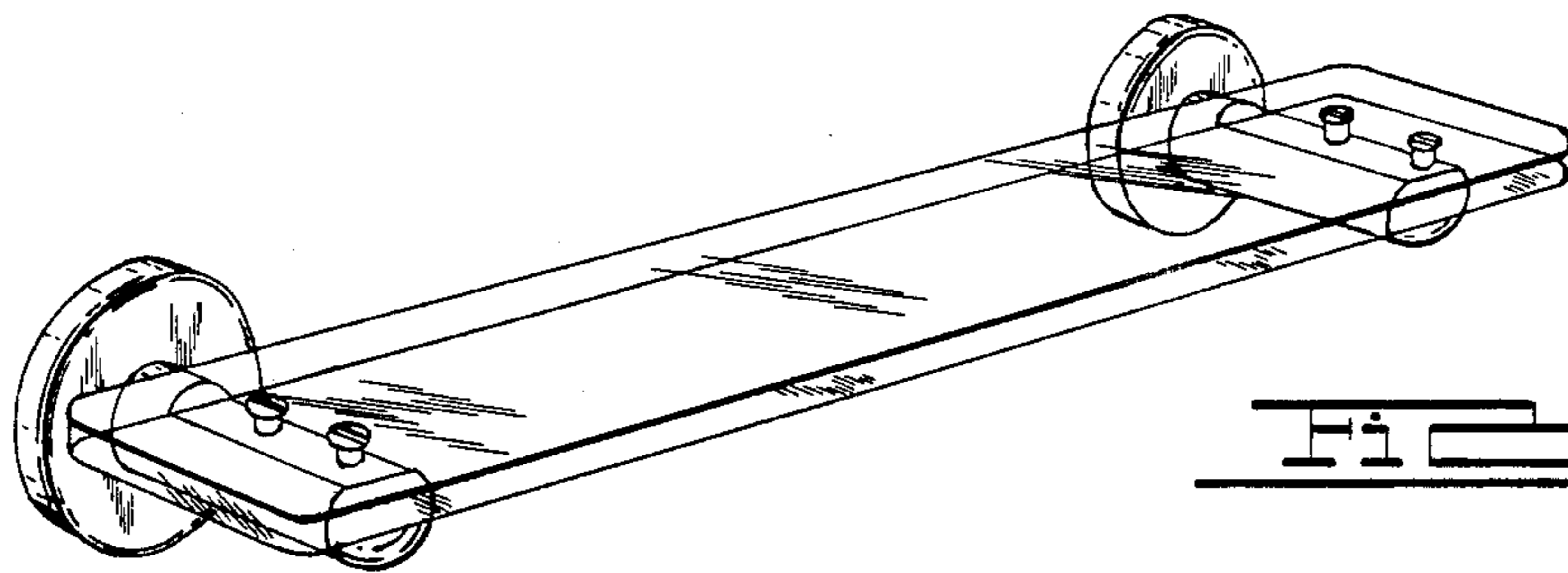


Fig. 1.

Fig. 2.

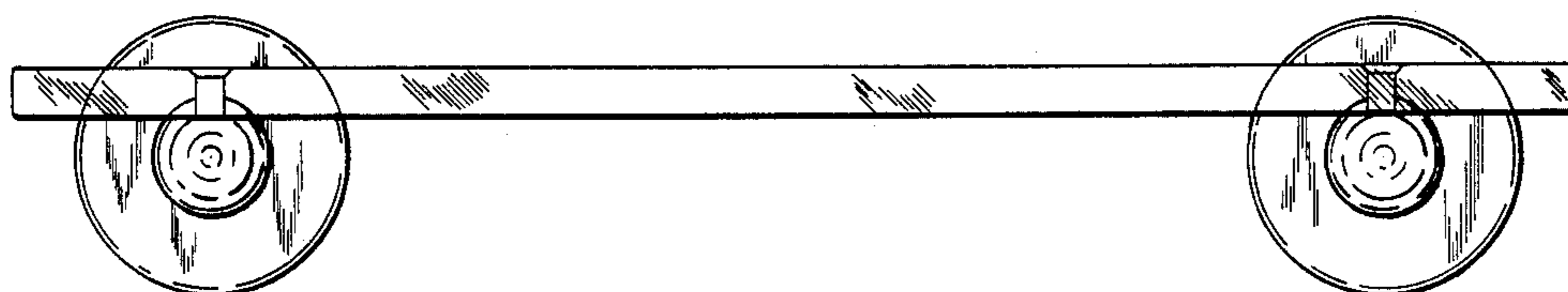
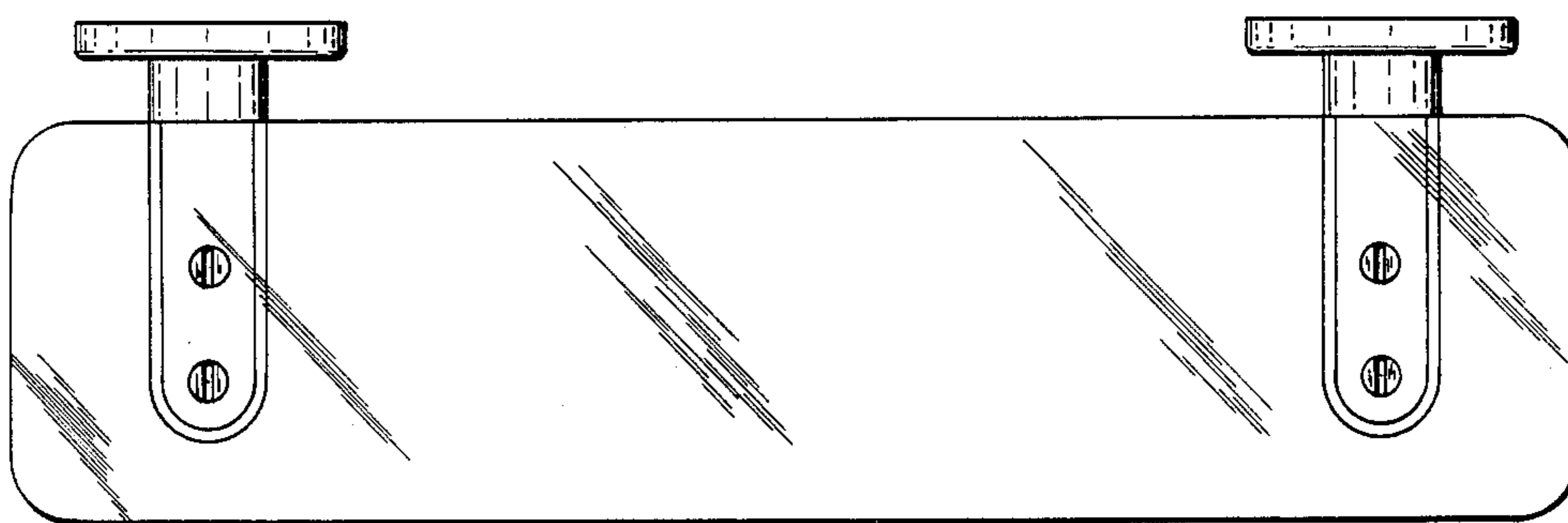


Fig. 3.

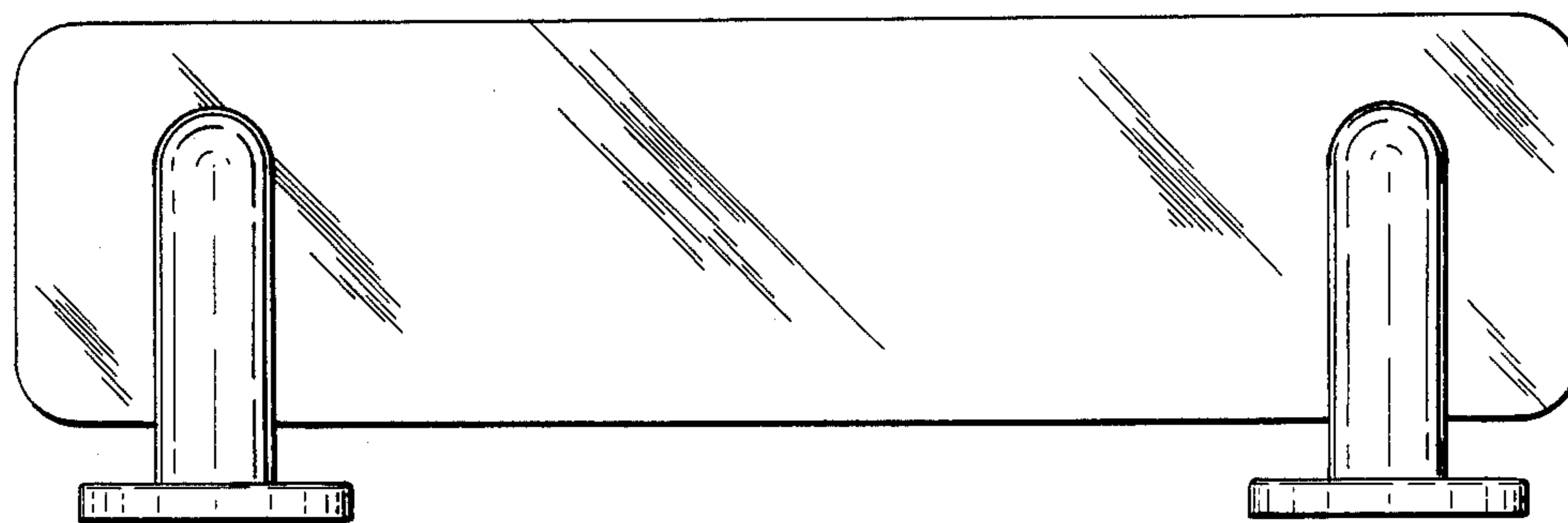


Fig. 4.

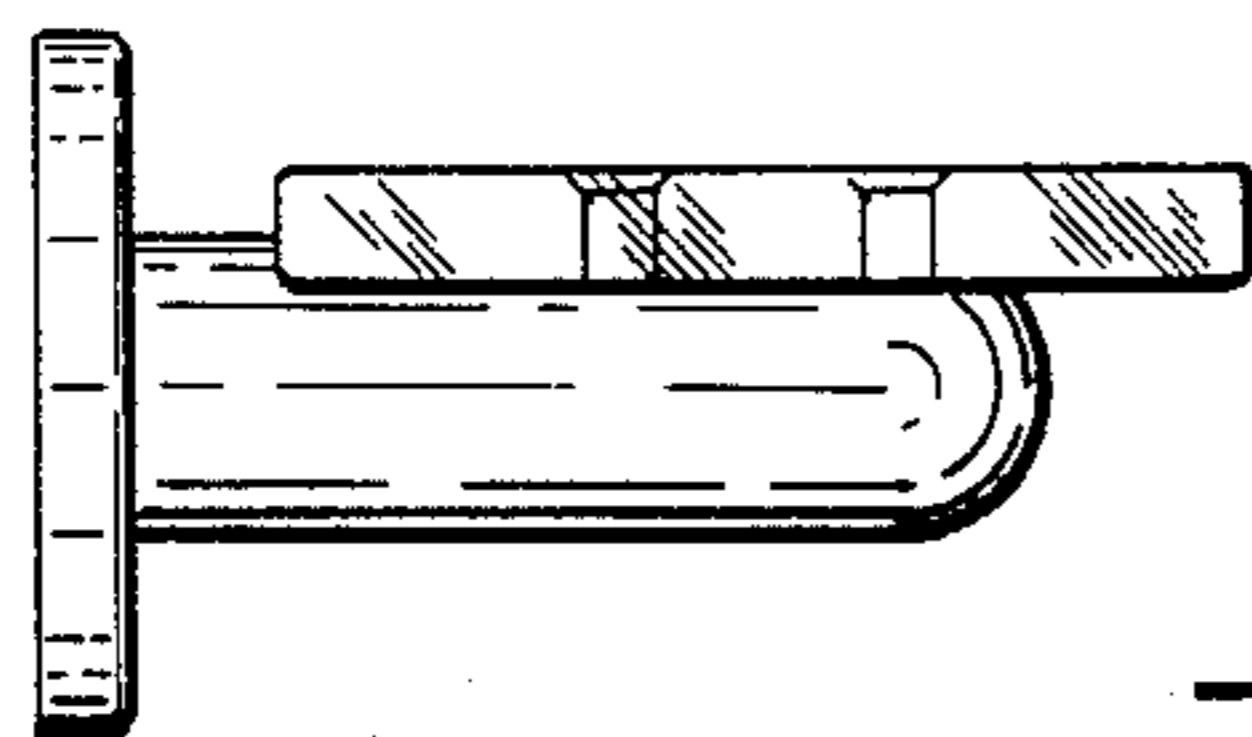


Fig. 5.

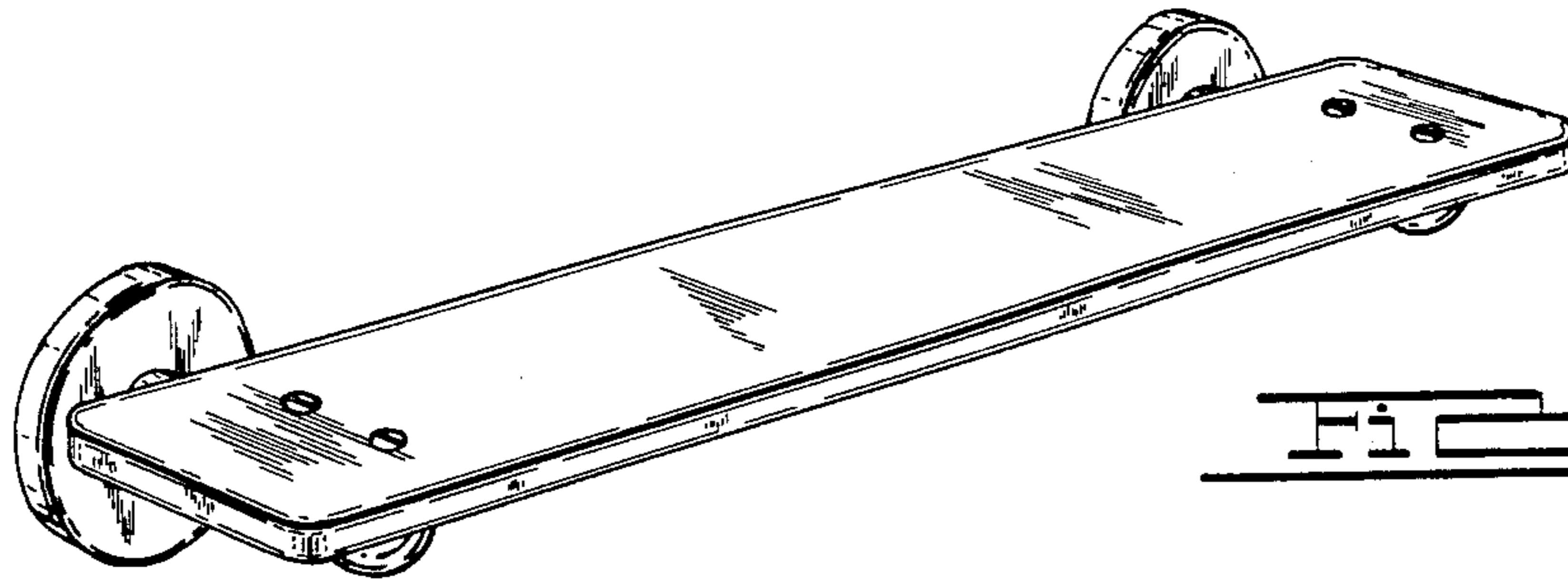


Fig. 6.

Fig. 7.

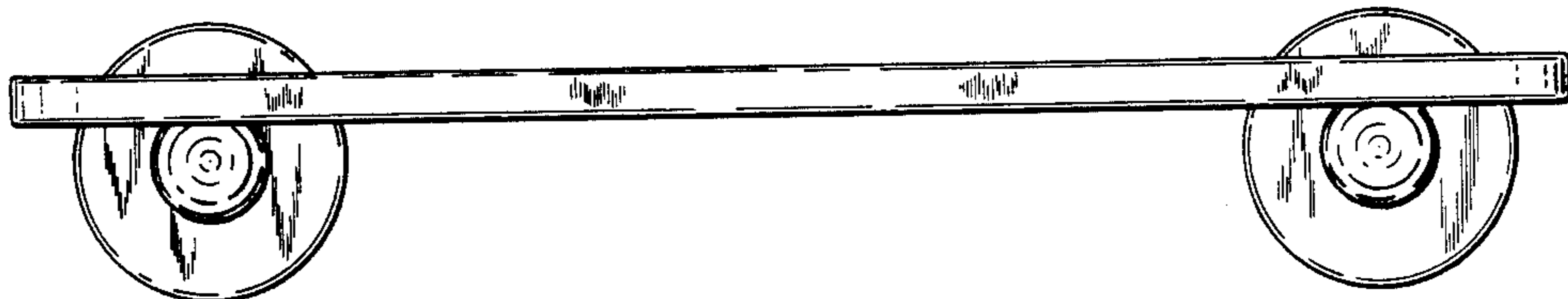
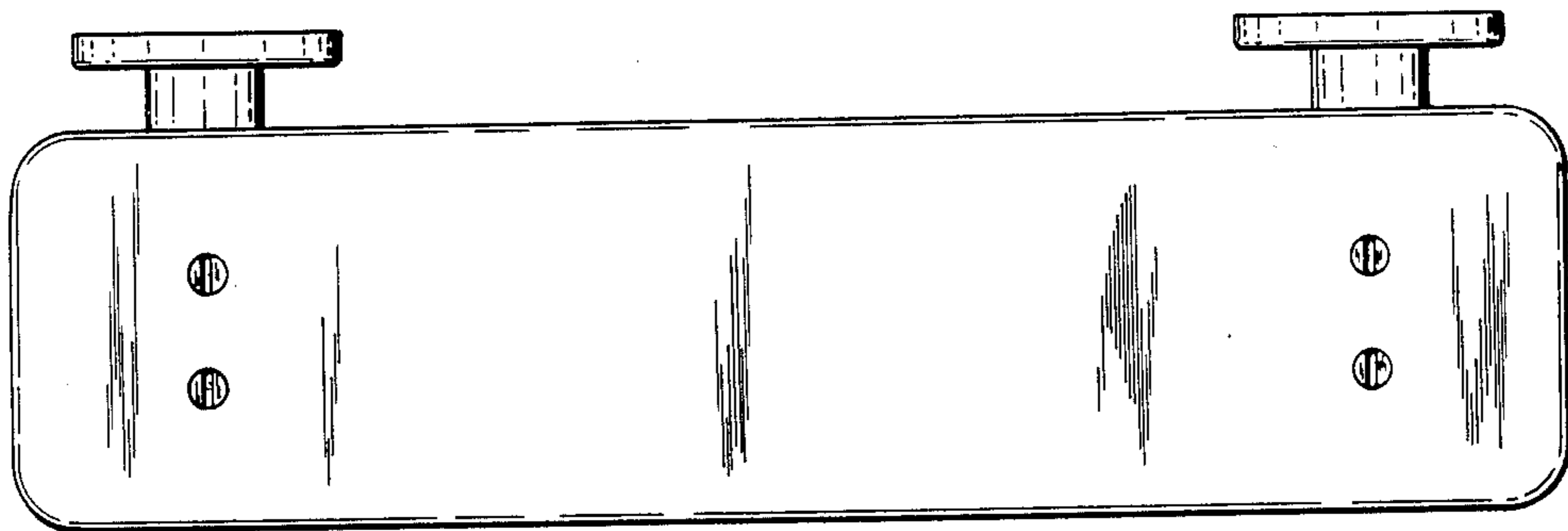


Fig. 9.

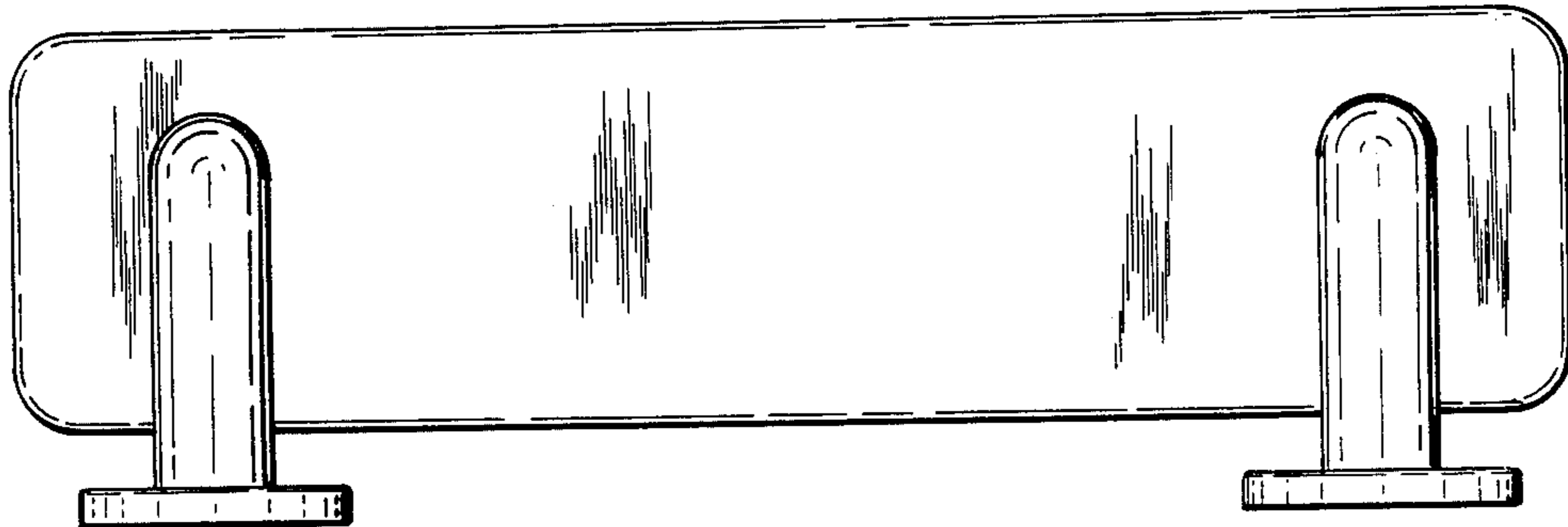


Fig. 10.

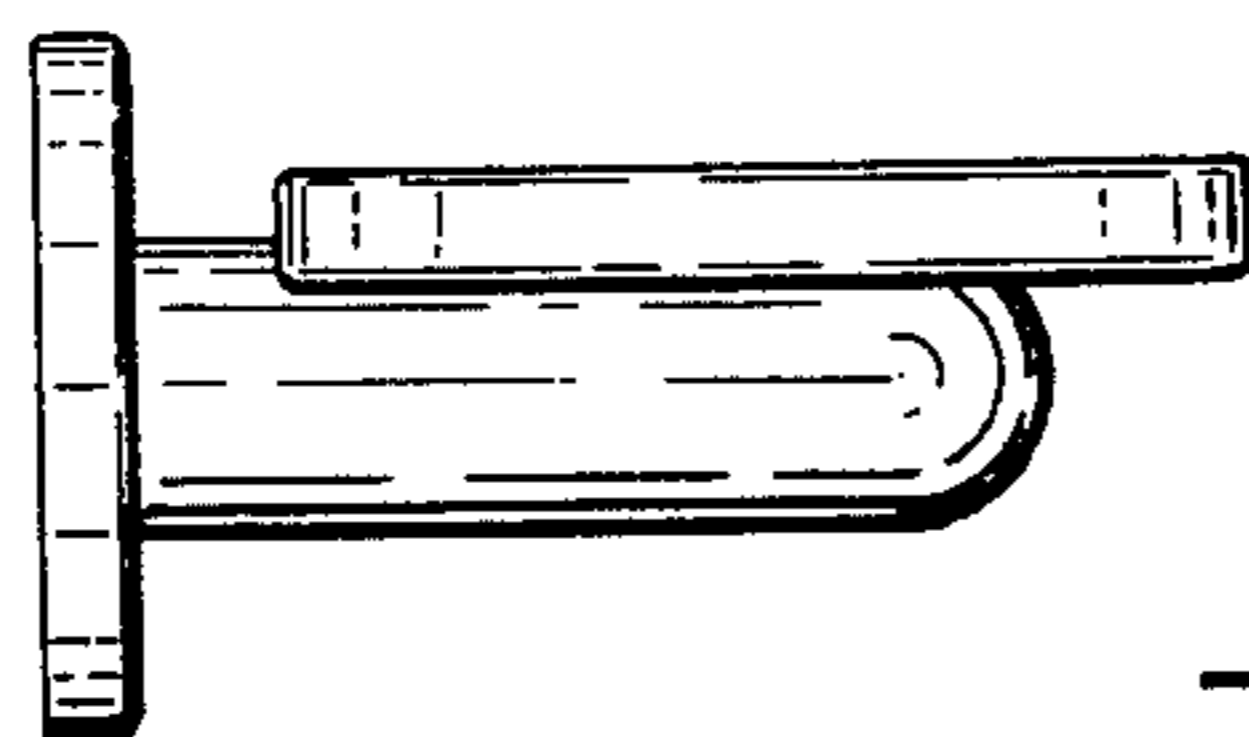


Fig. 11.