

[54] FLUID DISPENSER

[76] Inventor: Jerome Lippman, 3342 W. Smith Rd., Akron, Ohio 44313

[\*\*] Term: 14 Years

[21] Appl. No.: 857,774

[22] Filed: Apr. 28, 1986

[52] U.S. Cl. .... D6/545

[58] Field of Search ..... D6/512, 524, 542, 543, D6/545; 221/282; 222/105, 173, 180, 182

[56] References Cited

U.S. PATENT DOCUMENTS

- 204,594 5/1966 Yerkovich et al. .... D6/545
- D. 209,038 10/1967 Watson ..... D4/3
- D. 219,991 2/1971 DeVarco ..... D33/30
- D. 233,197 10/1974 Findlay ..... D6/95
- D. 242,742 12/1976 Christine et al. .... D83/1 P
- D. 245,467 8/1977 Frassanito ..... D6/95
- D. 262,658 1/1982 Christine ..... D24/58
- D. 268,154 3/1983 Frassanito ..... D6/95
- D. 270,119 8/1983 Rhodenbaugh ..... D6/95
- D. 270,861 10/1983 Joyaux et al. .... D28/77
- D. 271,544 11/1983 Kleman ..... D6/95

- D. 271,746 12/1983 Pieri ..... D9/337
- D. 273,062 3/1984 Richardson ..... D6/95
- D. 276,960 1/1985 Dunn ..... D6/515
- D. 278,886 5/1985 Kanfer ..... D9/375
- D. 279,062 6/1985 Kanfer ..... D6/545
- D. 279,063 6/1985 Haskell, III et al. .... D6/545
- D. 280,167 8/1985 Keck ..... D6/545
- 4,164,306 8/1979 Perrin ..... 222/181
- 4,621,749 11/1986 Kaufer ..... 222/181 X

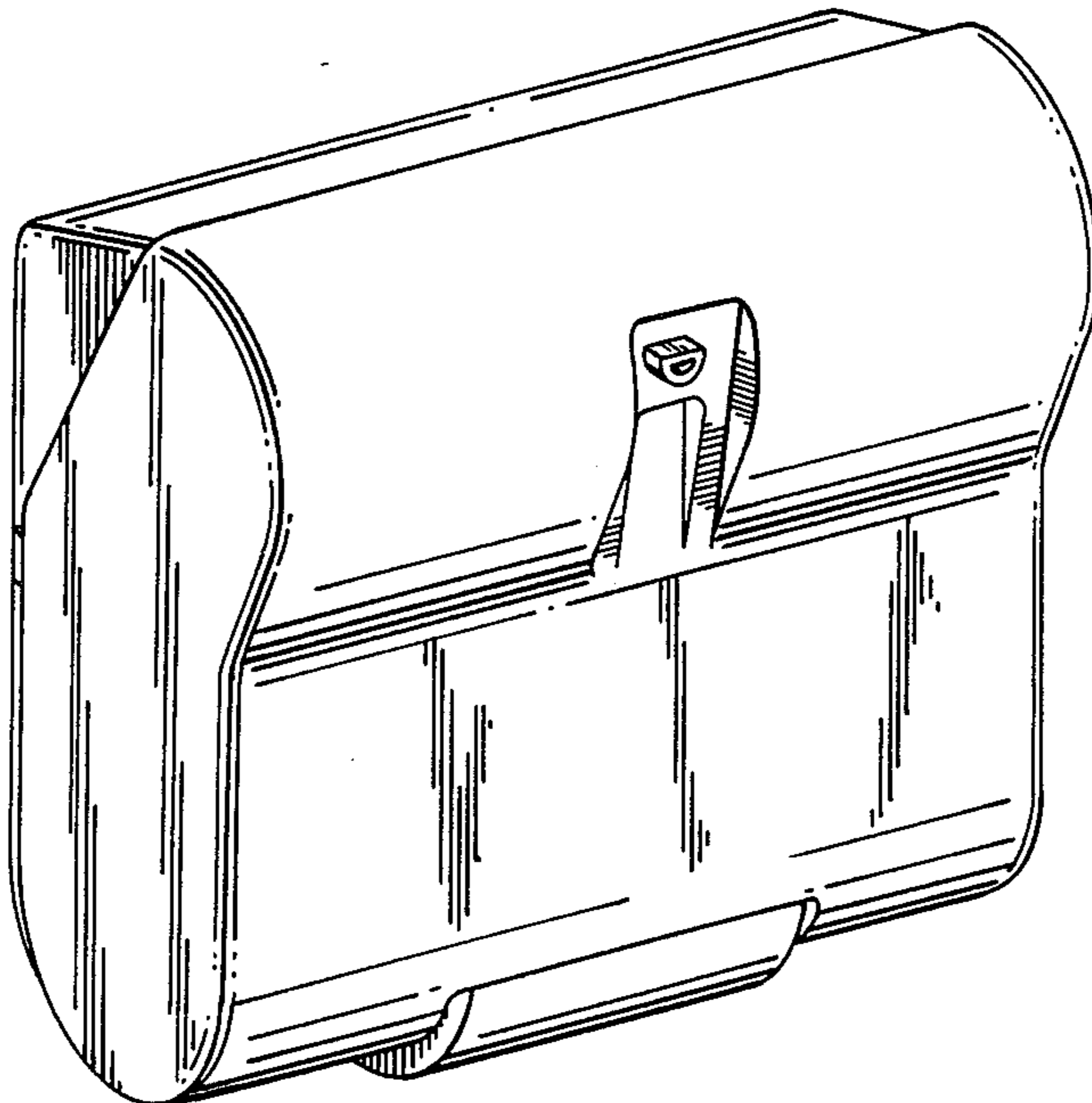
Primary Examiner—Wallace R. Burke  
Assistant Examiner—Brian N. Vinson  
Attorney, Agent, or Firm—Reese Taylor

[57] CLAIM

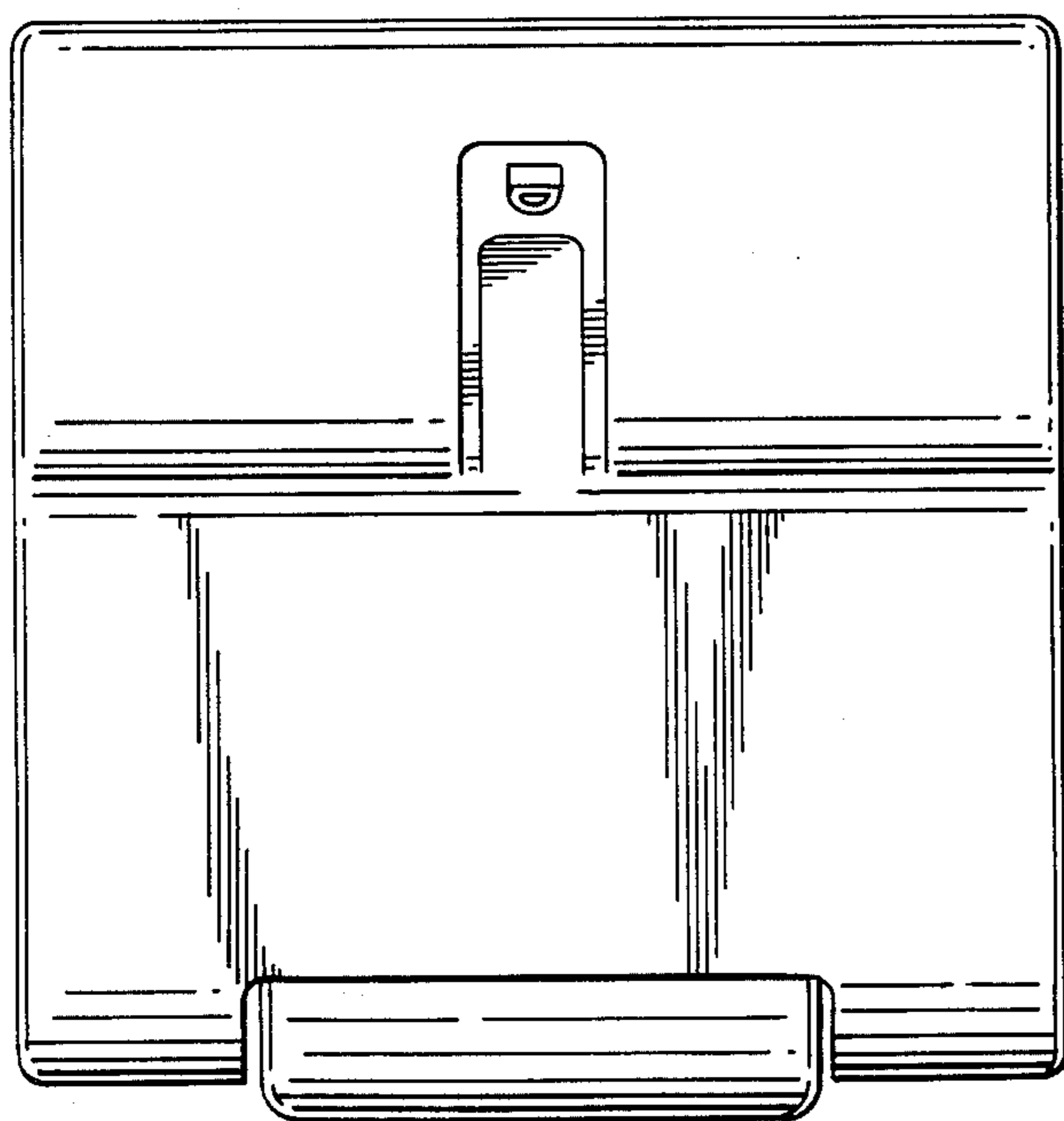
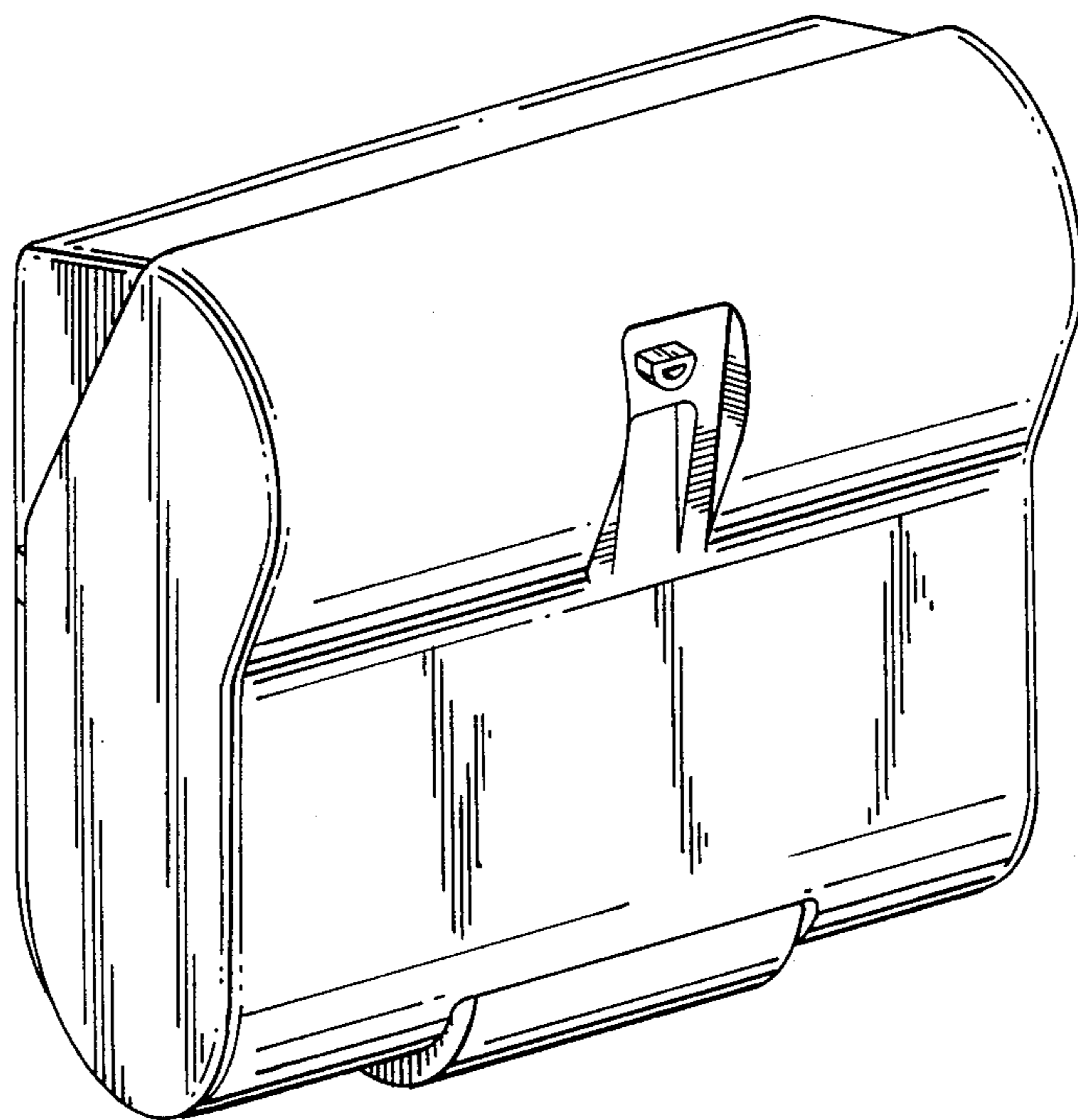
The ornamental design for a fluid dispenser, as shown and described.

DESCRIPTION

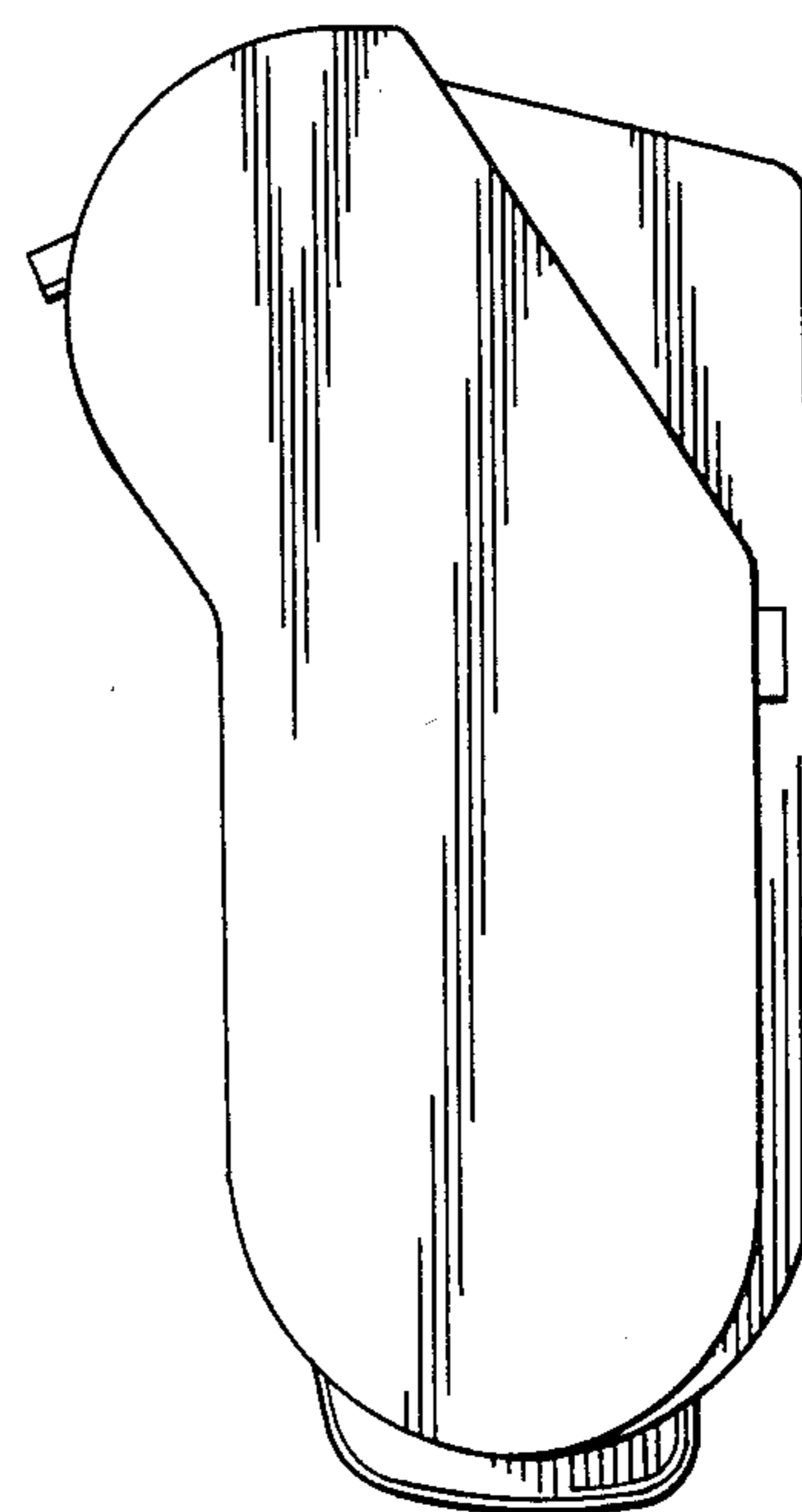
FIG. 1 is a top, front and left side perspective view of a fluid dispenser showing my new design;  
FIG. 2 is a front elevational view thereof;  
FIG. 3 is a right side elevational view thereof, the left side being a mirror image;  
FIG. 4 is a top plan view thereof;  
FIG. 5 is a rear elevational view thereof; and  
FIG. 6 is a bottom plan view thereof.



*FIG. 1*



*FIG. 2*



*FIG. 3*

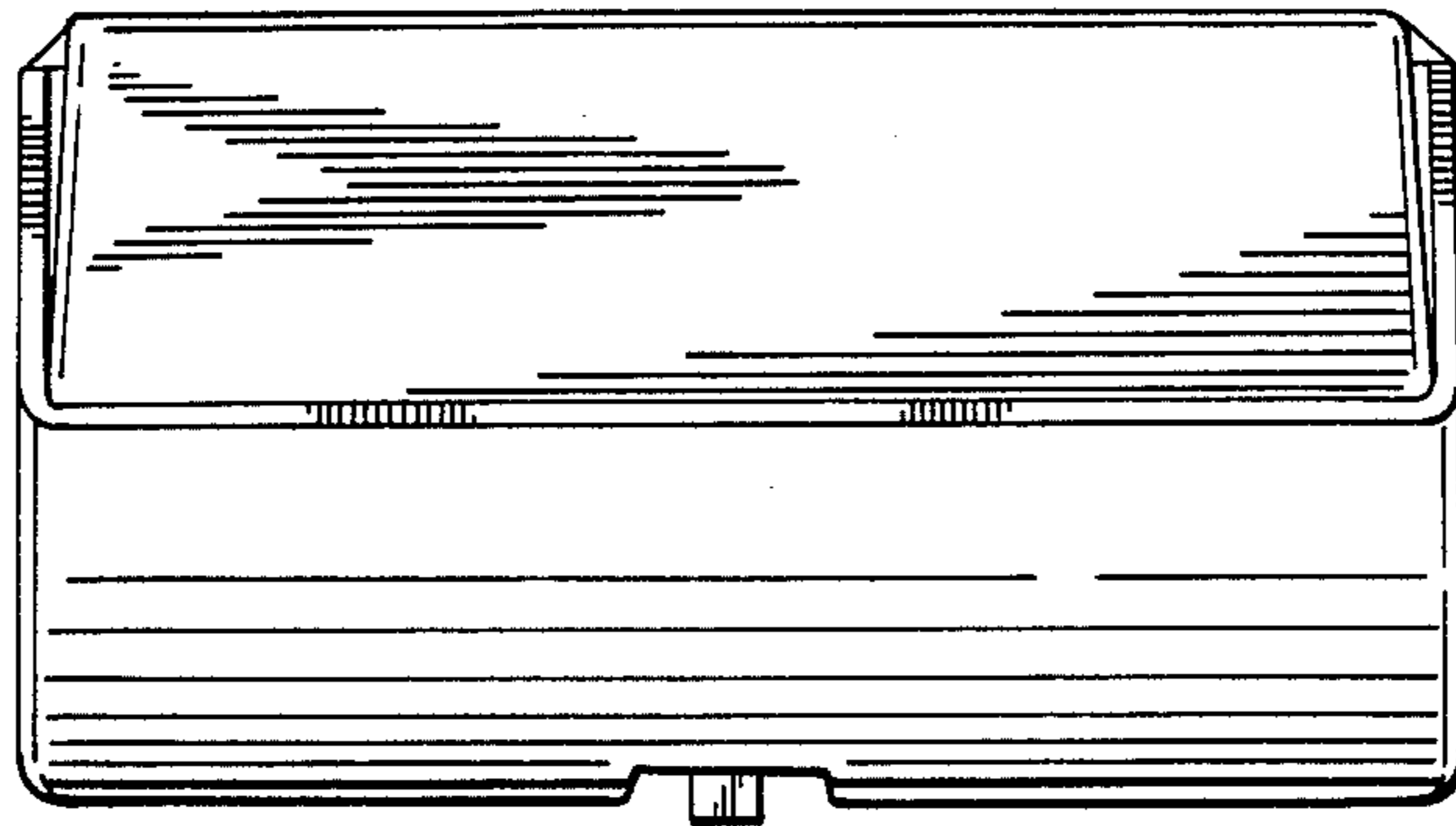


FIG. 4

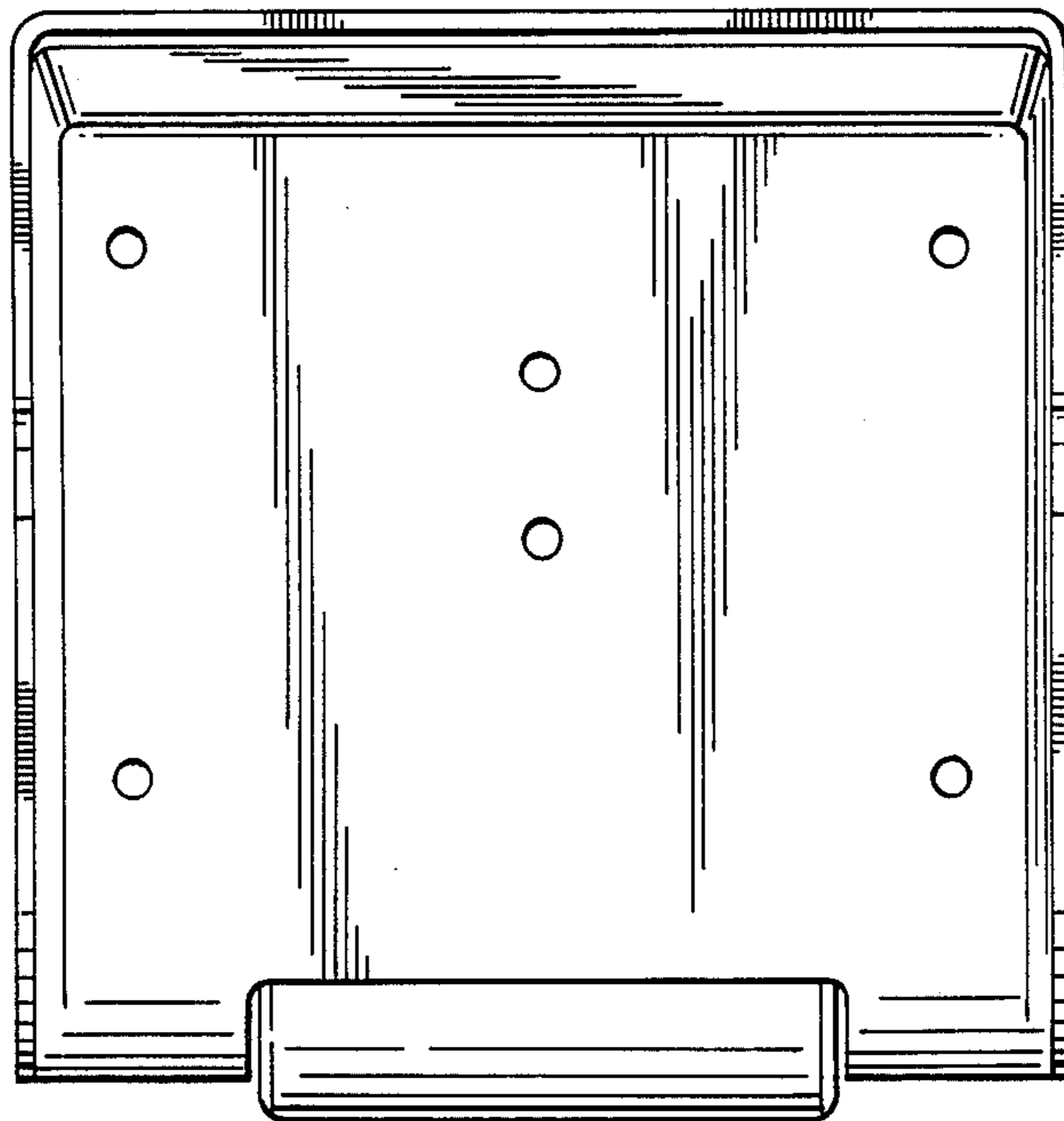


FIG. 5

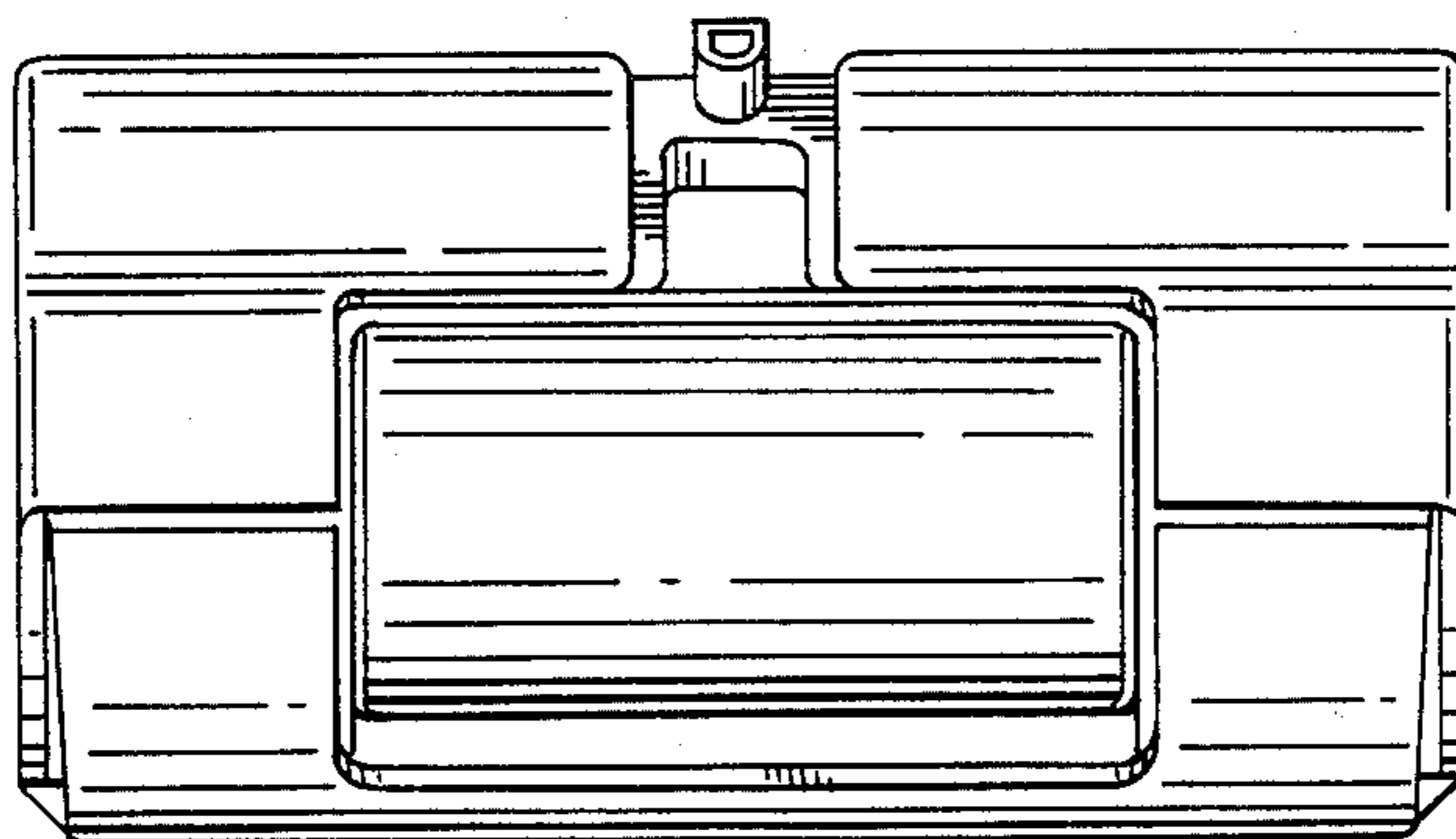


FIG. 6