

[54] COUNTER TOP

[76] Inventor: Harry C. Osvold, 8405 Wesley Dr., Golden Valley, Minn. 55427

[\*\*] Term: 14 Years

[21] Appl. No.: 863,472

[22] Filed: May 15, 1986

[52] U.S. Cl. .... D6/511

[58] Field of Search ..... D6/509, 511, 447

[56] References Cited

U.S. PATENT DOCUMENTS

- D. 172,772 8/1954 Trout et al. .... D6/447
- D. 199,795 12/1967 Pechenik ..... D6/447 X
- D. 221,872 9/1971 Lancione ..... D6/447 X
- D. 235,955 7/1975 Shelley, Jr. .... D6/511

Primary Examiner—Bruce W. Dunkins

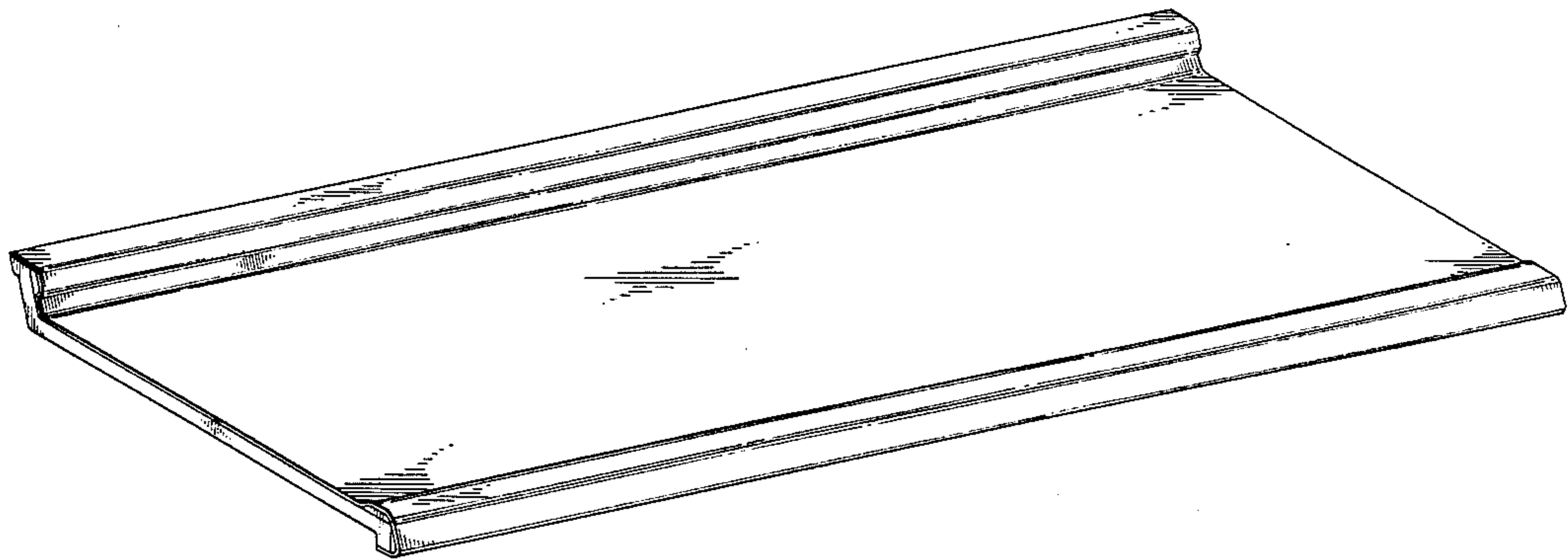
Attorney, Agent, or Firm—Orrin M. Haugen; Thomas J. Nikolai; Frederick W. Niebuhr

[57] CLAIM

The ornamental design for a counter top, as shown and described.

DESCRIPTION

FIG. 1 is a top perspective view of a counter top showing my new design;  
 FIG. 2 is a front elevational view;  
 FIG. 3 is an elevational view showing one end, with the other end being substantially identical;  
 FIG. 4 is a top plan view;  
 FIG. 5 is a rear elevational figure;  
 FIG. 6 is a bottom plan view; and  
 FIG. 7 is an enlarged cross-sectional side view thereof, a portion of the center being broken away for convenience of illustration.



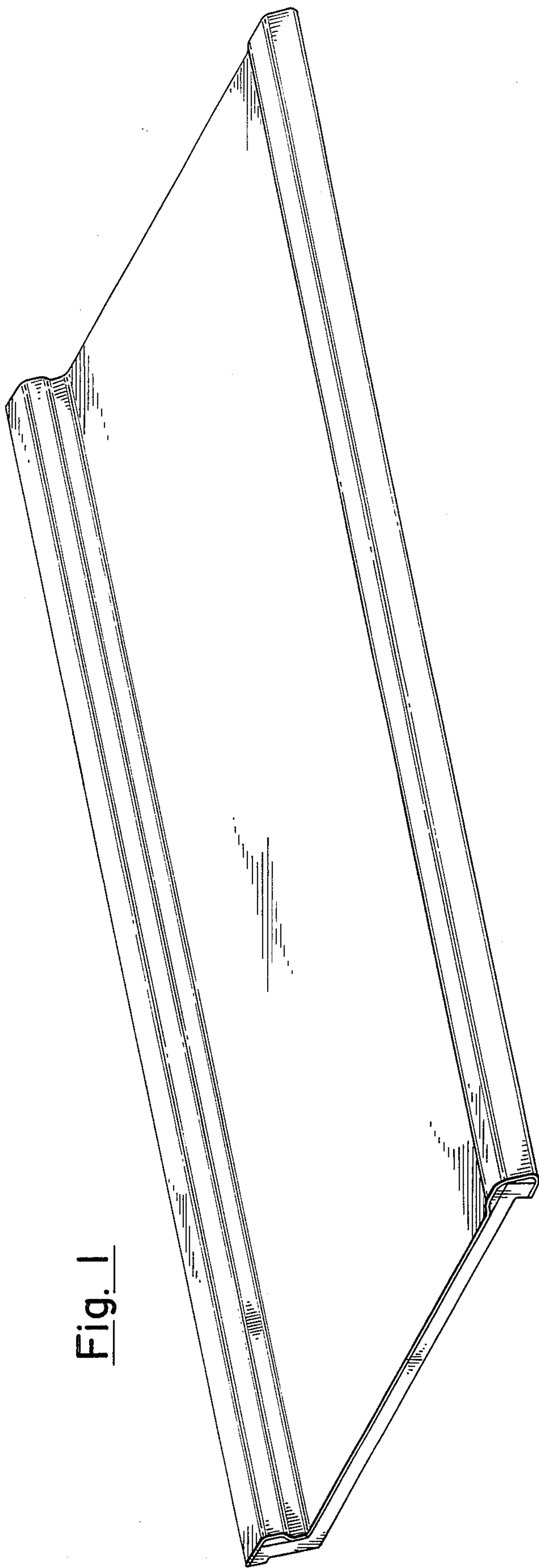


Fig. 1

Fig. 2

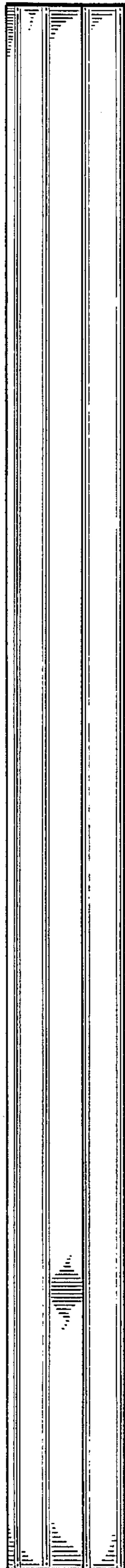


Fig. 3

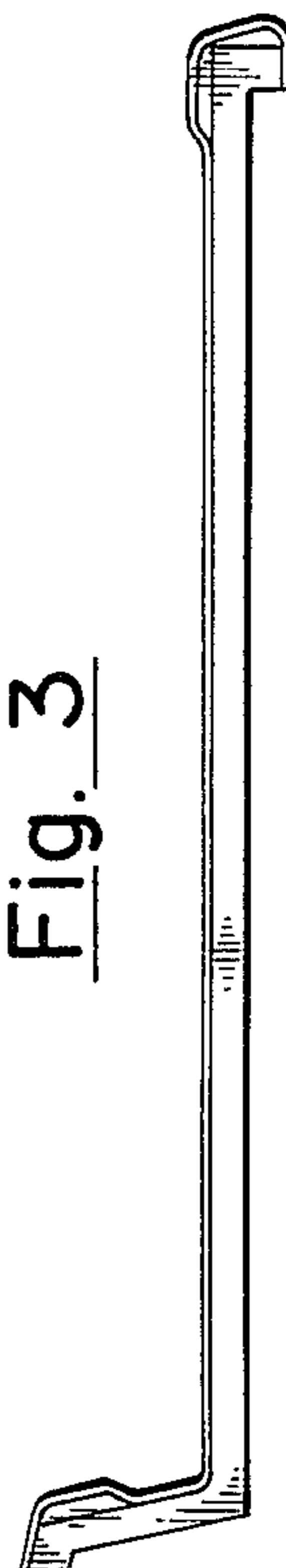


Fig. 4

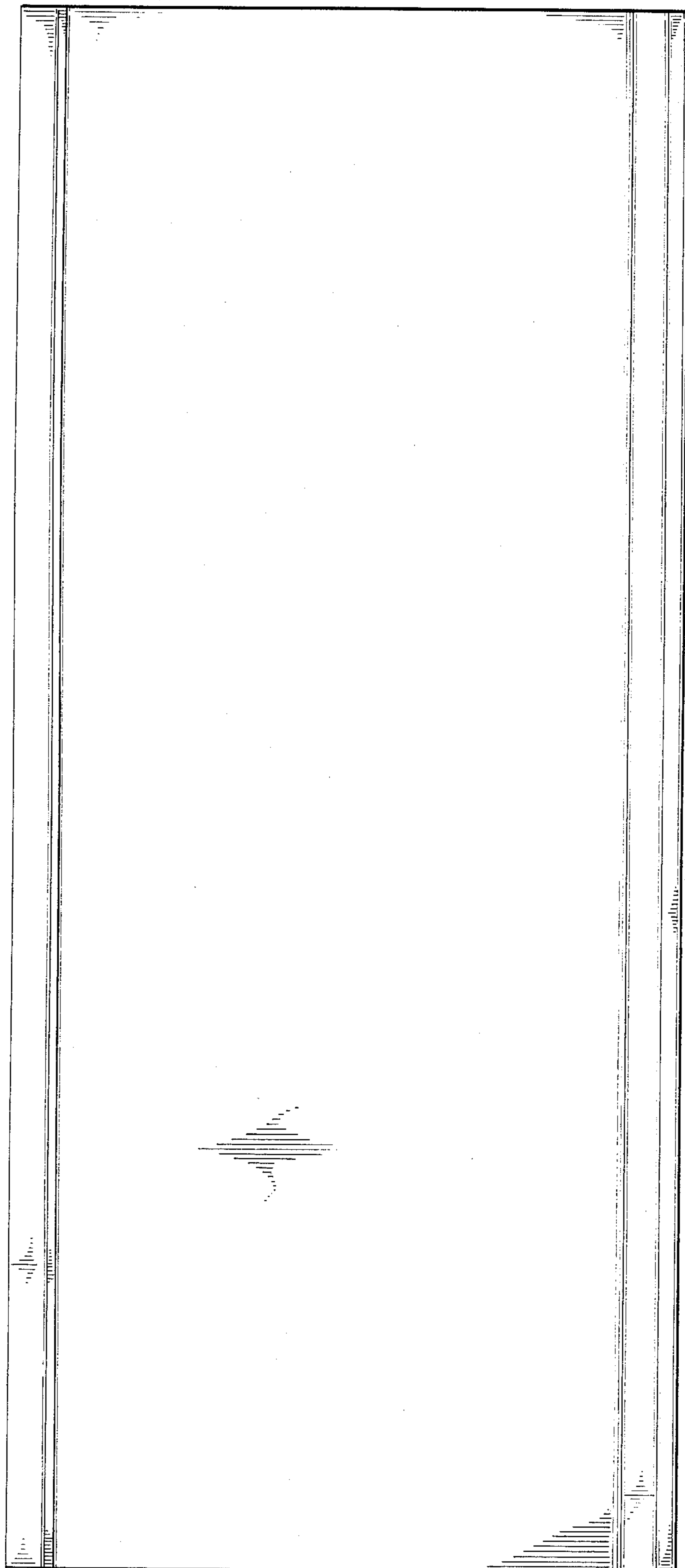


Fig. 5

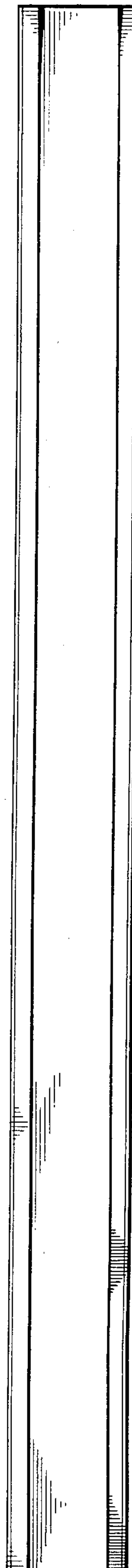
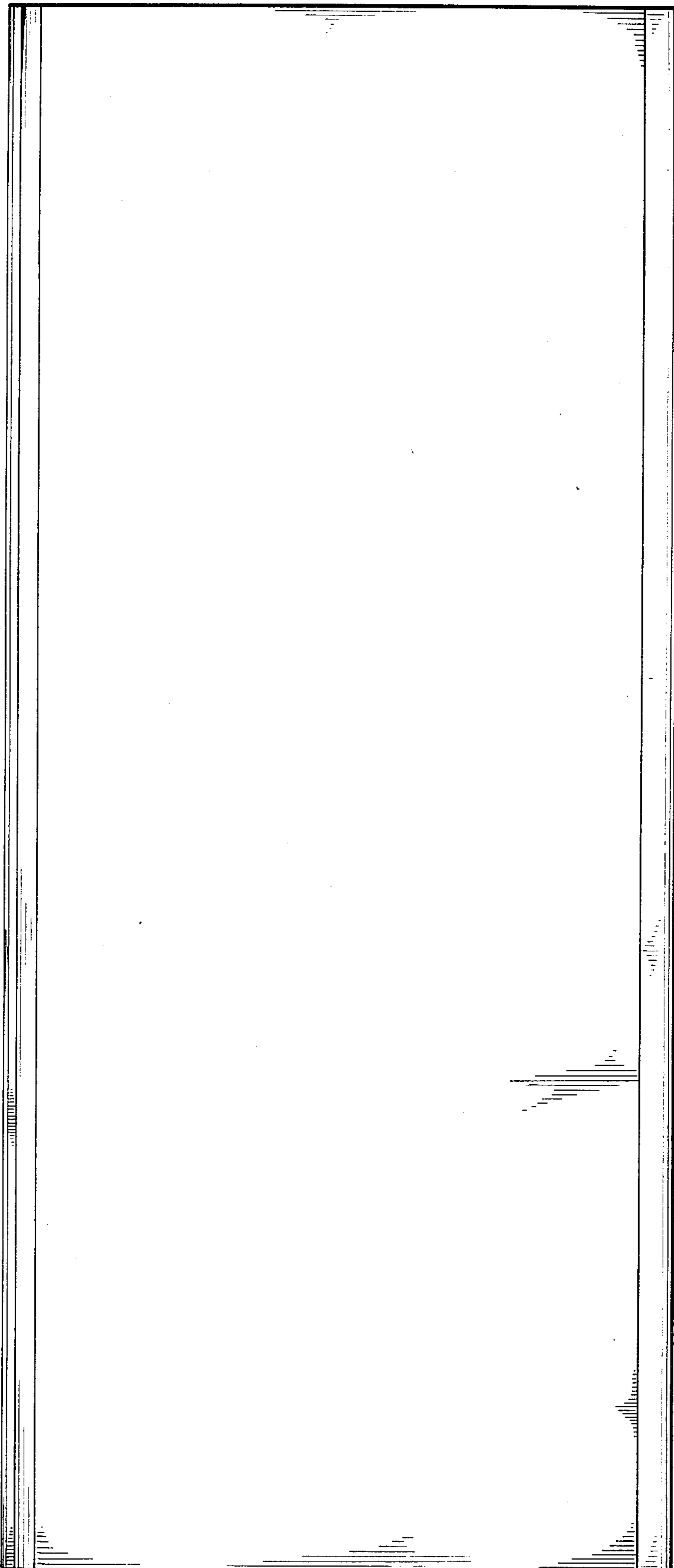


Fig. 6



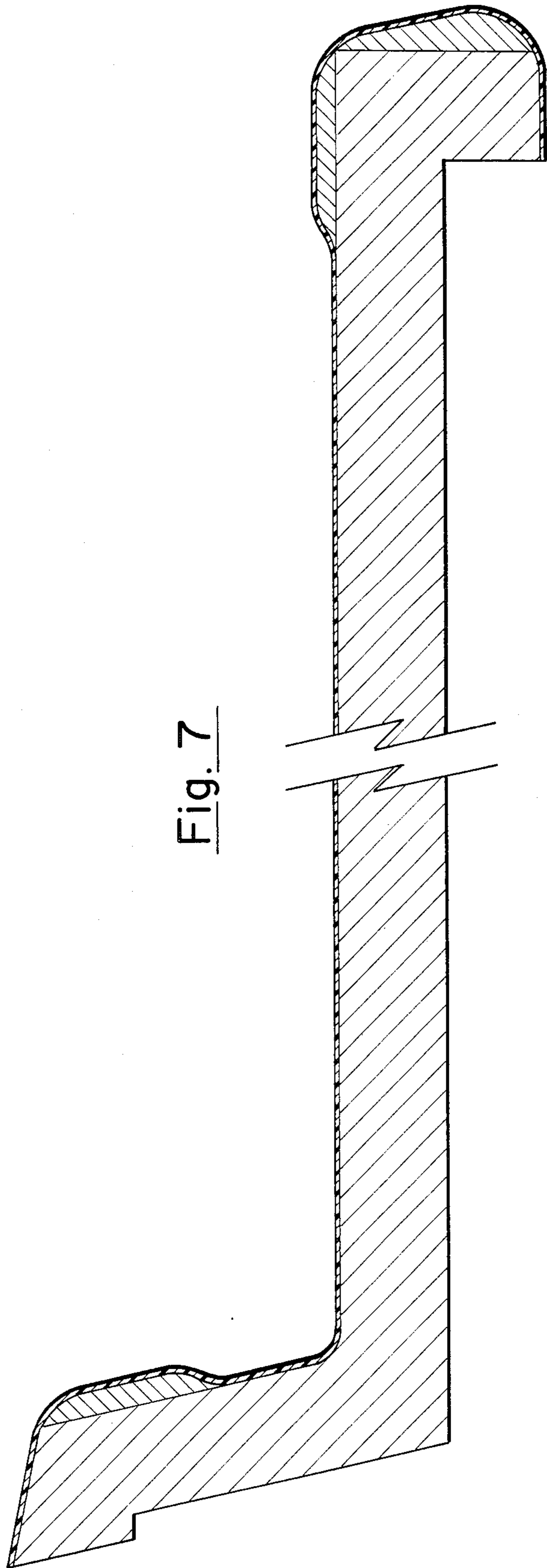


Fig. 7