

[54] **DRAWER WITH REFERENCE SHELF**
[75] **Inventor: Norman A. Hedstrom, Worcester, Mass.**
[73] **Assignee: Wright Line, Inc., Worcester, Mass.**
[**] **Term: 14 Years**
[21] **Appl. No.: 862,584**
[22] **Filed: May 12, 1986**
[52] **U.S. Cl. D6/510; D6/440**
[58] **Field of Search D6/406, 440, 509, 510, D6/511; 312/194-196**

D. 212,541 10/1968 Taylor D6/406 X
D. 282,218 1/1986 Catelli D6/406 X
4,538,861 9/1985 Hughes, Jr. D6/440 X
4,577,788 3/1986 Richardson D6/406 X

Primary Examiner—Carmen H. Vales
Attorney, Agent, or Firm—Milton E. Gilbert

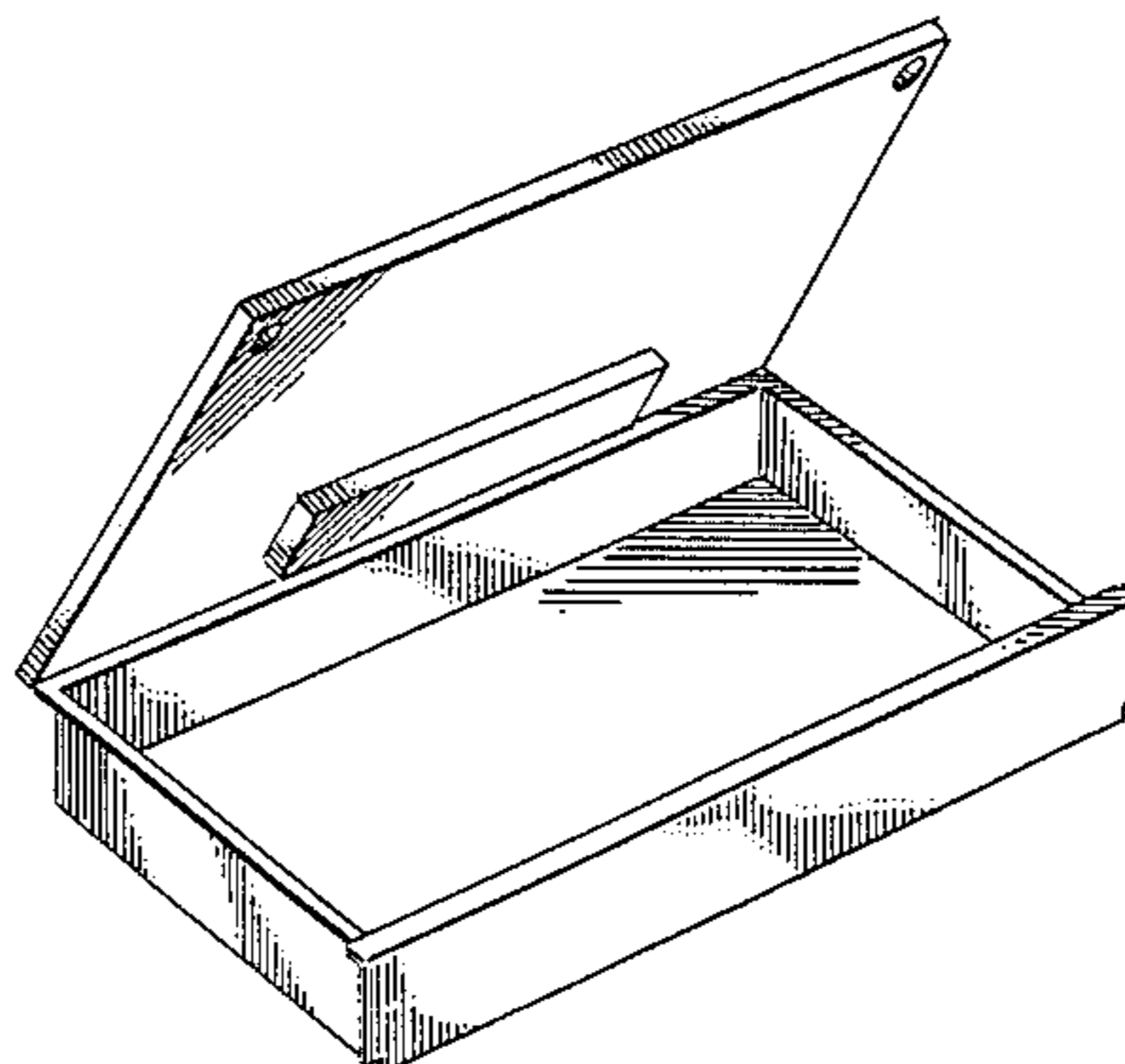
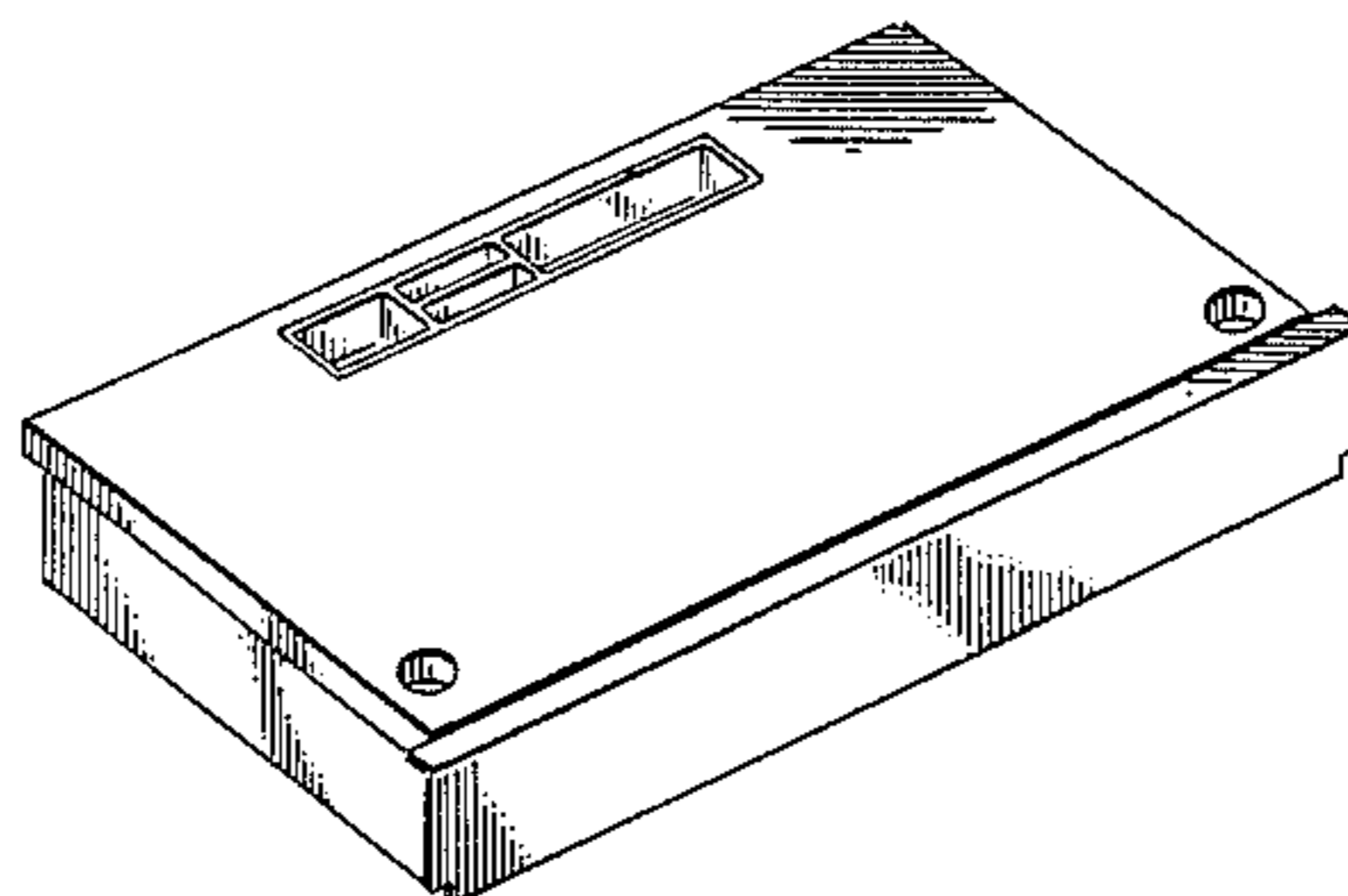
[57] **CLAIM**

The ornamental design for a drawer with reference shelf, as shown.

DESCRIPTION

FIG. 1 is a perspective view of a drawer with reference shelf showing my new design;
FIG. 2 is a perspective view with the shelf in open position;
FIG. 3 is a front elevational view thereof;
FIG. 4 is a front elevational view with the drawer in open position;
FIG. 5 is a left side elevational view thereof; and
FIG. 6 is a top plan view thereof.

[56] **References Cited**
U.S. PATENT DOCUMENTS
D. 67,394 5/1925 Cornwell D6/406
D. 82,556 11/1930 Green D6/440
D. 108,694 3/1938 Gruen D6/476 X
D. 132,962 7/1942 Salomon D6/510



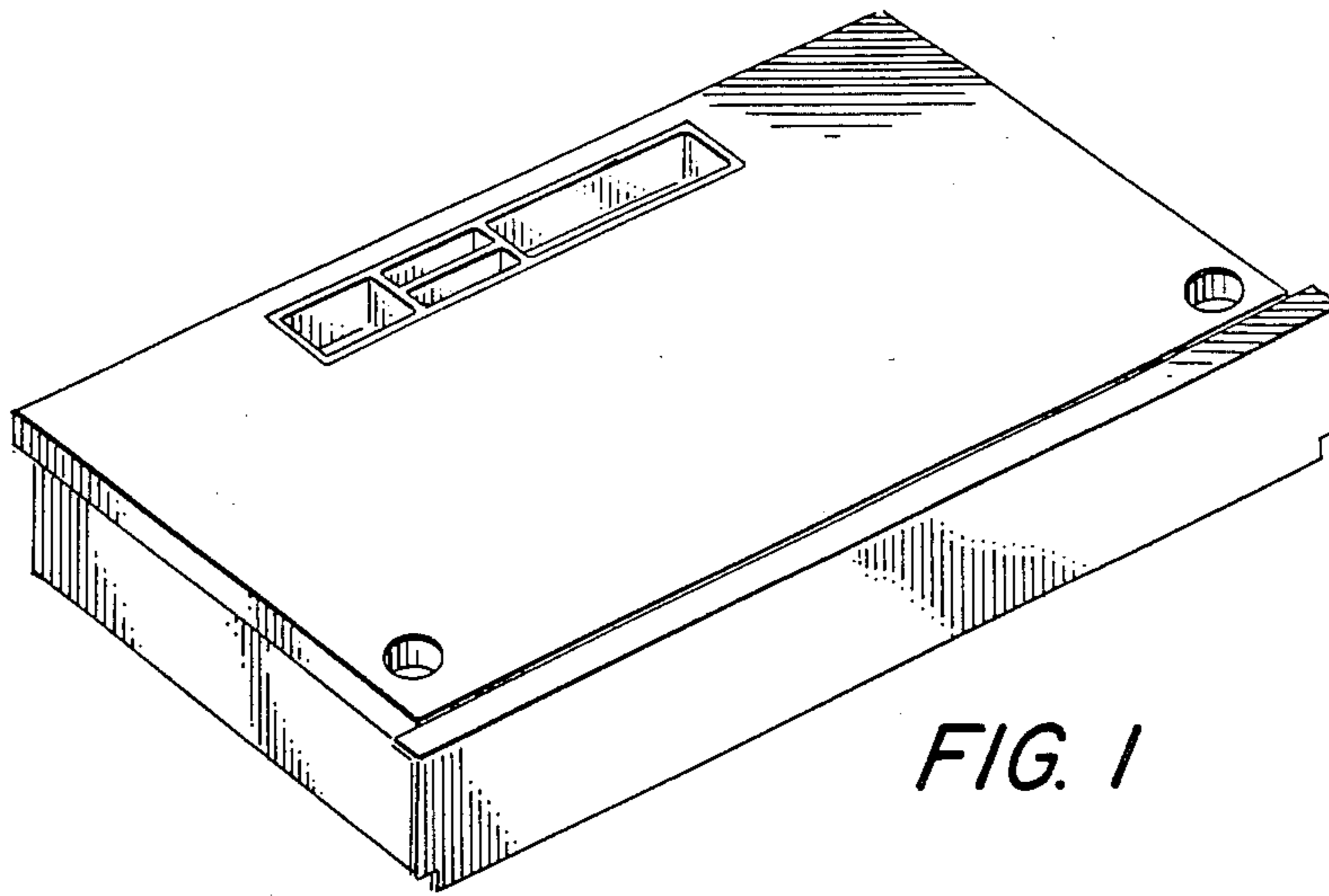


FIG. 1

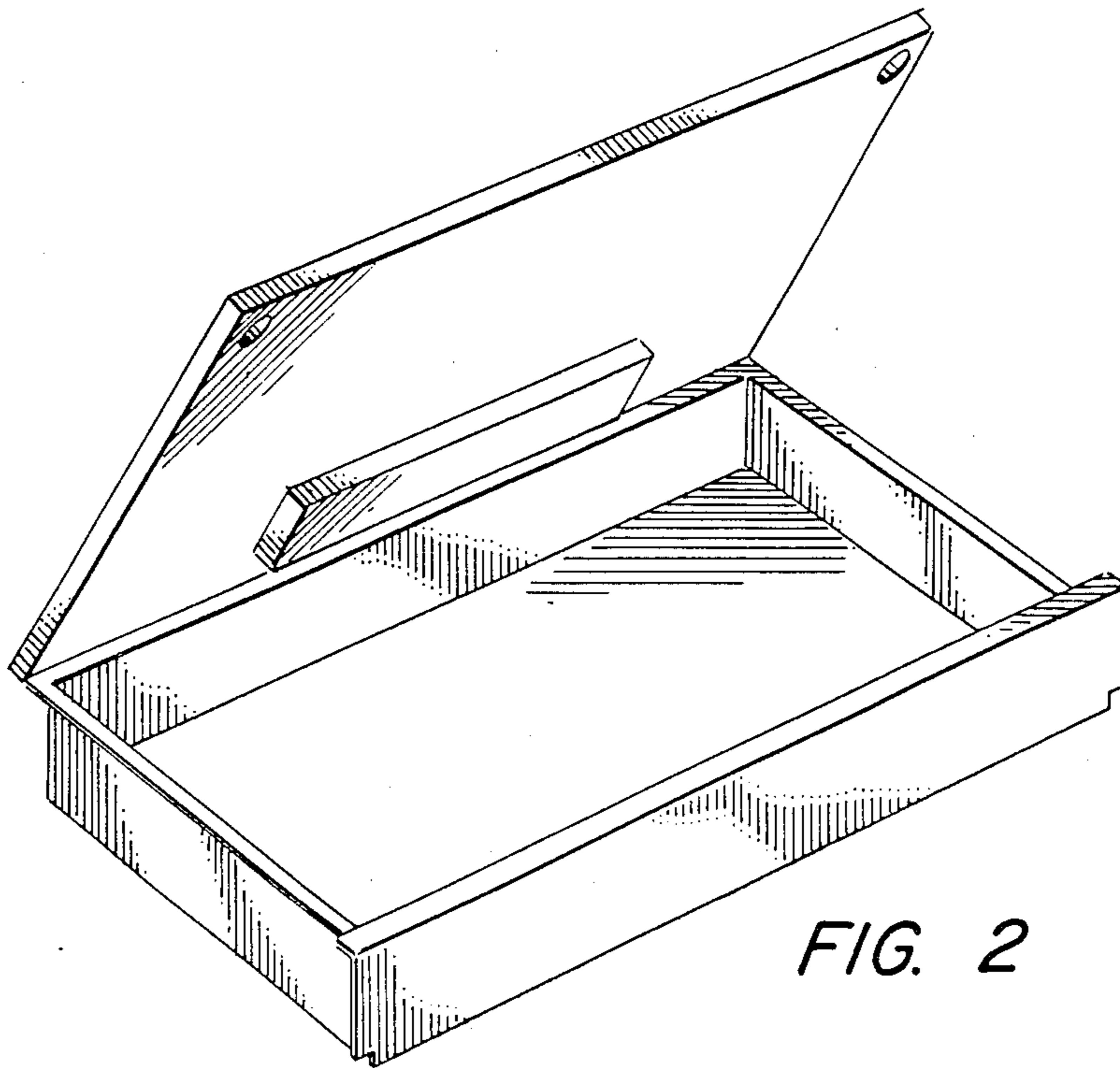


FIG. 2



FIG. 3

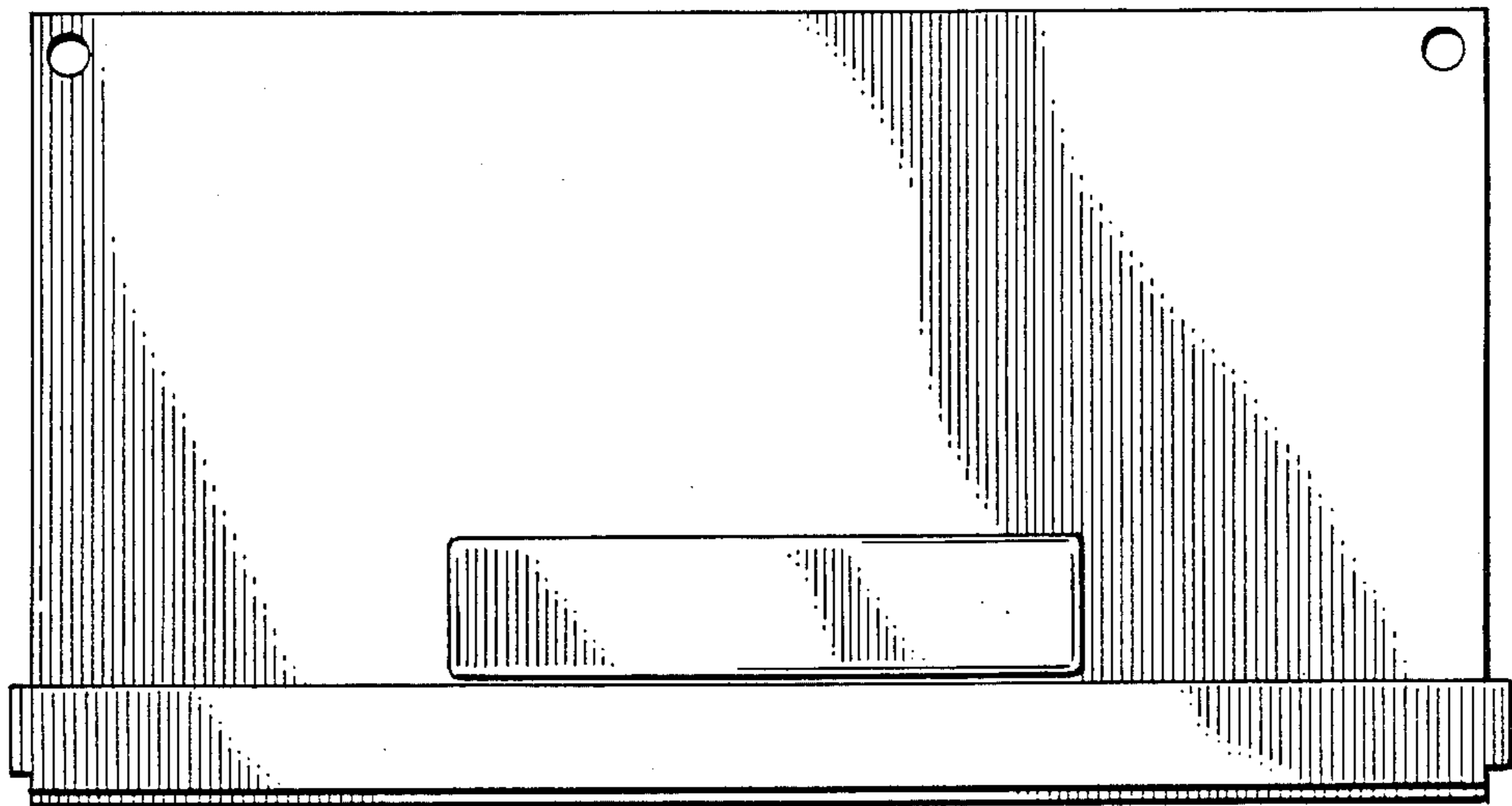


FIG. 4

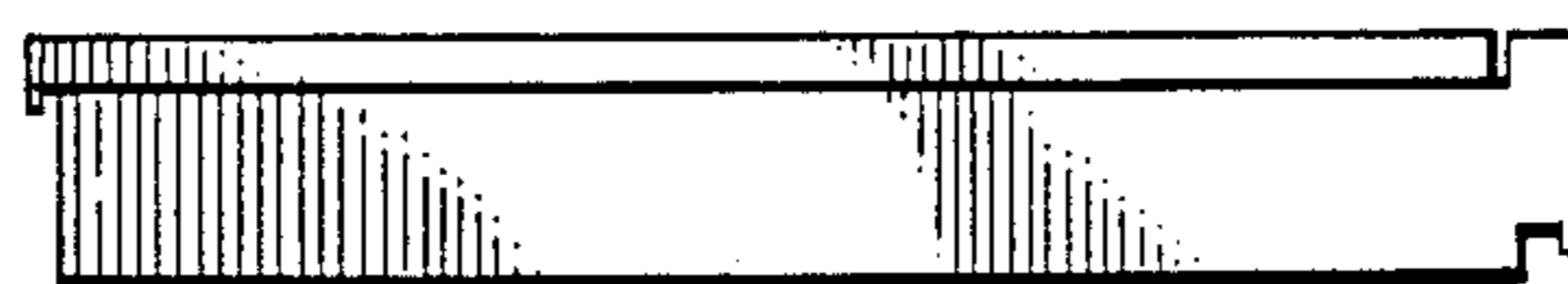


FIG. 5

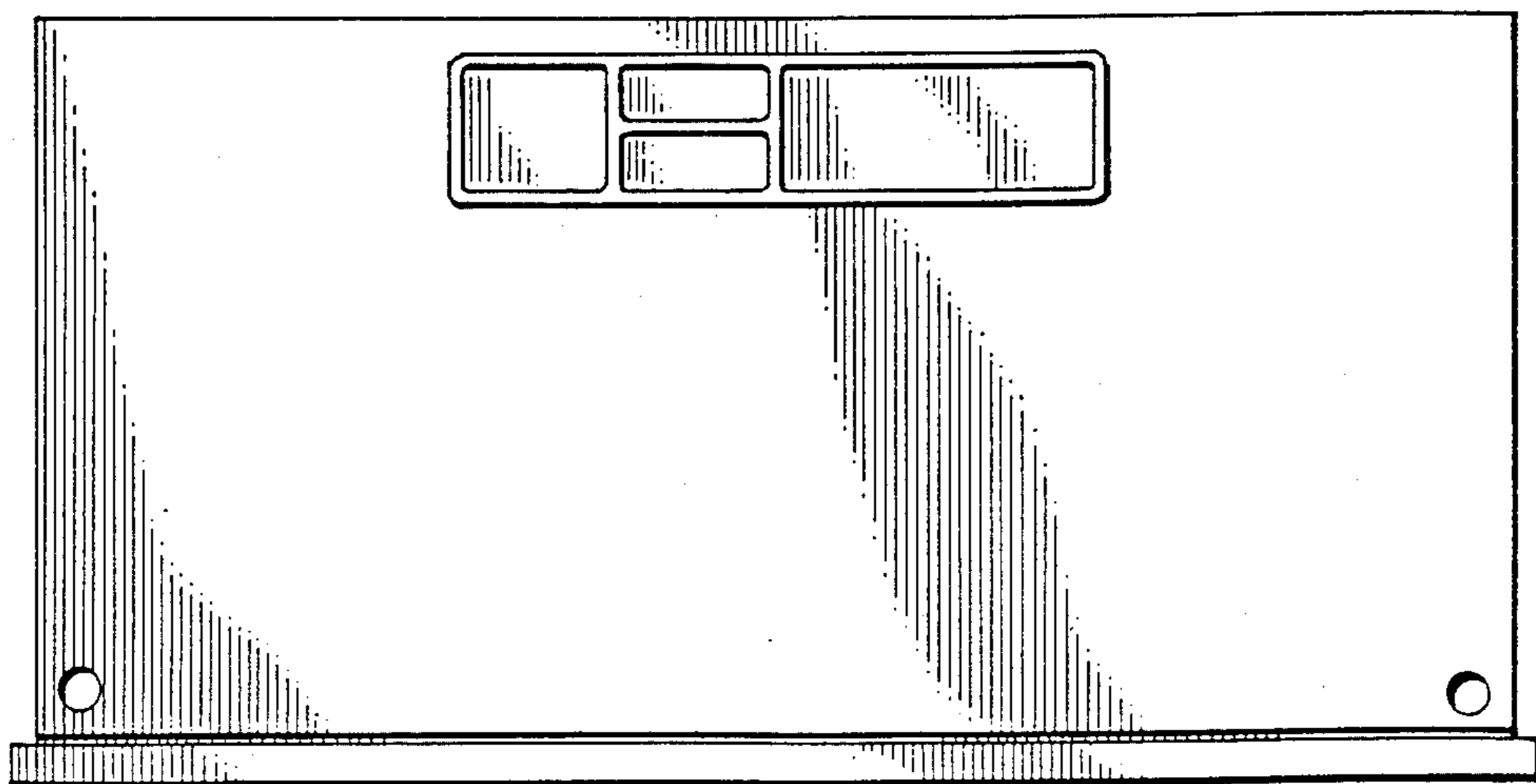


FIG. 6