

[54] MERCHANDISE COOLER

[75] Inventor: Kermit E. Meehan, Wayzata, Minn.

[73] Assignee: The Mike Meehan Company, Minnetonka, Minn.

[**] Term: 14 Years

[21] Appl. No.: 813,402

[22] Filed: Dec. 26, 1985

[52] U.S. Cl. D6/440; D6/448; D34/7; D15/83

[58] Field of Search D15/79, 81, 83; D6/432, D6/436-440, 445-448, 470, 481, 510; 312/236, 116; 62/457, 459, 462-463, 464, 371-372; D34/1, 5, 7, 11

[56] References Cited

U.S. PATENT DOCUMENTS

D. 176,840	2/1956	Dailey	D15/83
D. 180,163	4/1957	Schild	D6/438
D. 217,074	3/1970	Jones	D15/83
D. 229,101	11/1973	Corini	D15/83
D. 239,490	4/1976	Pellegrini	D15/83
D. 275,618	9/1984	Agard	D34/7
1,541,271	6/1925	Moore	D15/84
3,308,633	3/1967	Kritzer, Jr.	62/246
4,027,727	6/1977	Pullens	312/236

OTHER PUBLICATIONS

Foodservice Equipment Specialist, 1/1984, p. 9, "Candolly, lower rt. corner").

Foodservice Equipment Specialist, 2/1984, p. 63, "Thermo Safe Insulated Transporters".

Primary Examiner—Bruce W. Dunkins

Assistant Examiner—Ruth Takemoto

Attorney, Agent, or Firm—Orrin M. Haugen; Thomas J. Nikolai; Frederick W. Niebuhr

[57] CLAIM

The ornamental design for a merchandiser cooler, as shown and described.

DESCRIPTION

FIG. 1 is a top, front and side perspective view of a merchandise cooler showing my new design;

FIG. 2 is a front elevational view thereof;

FIG. 3 is a rear elevational view thereof;

FIG. 4 is a side elevational view thereof, the opposite side being a mirror image;

FIG. 5 is a top plan view thereof;

FIG. 6 is a bottom plan view thereof;

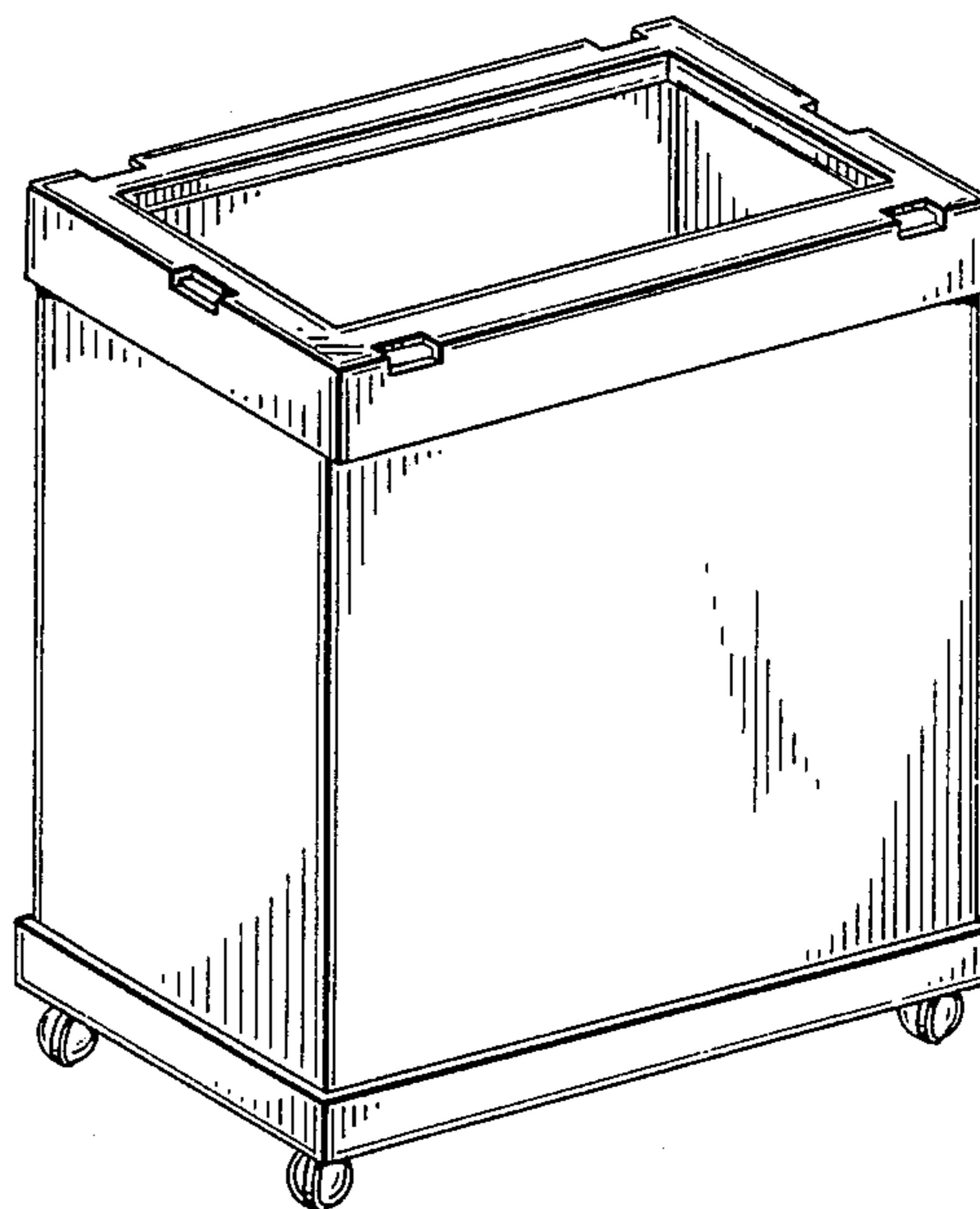
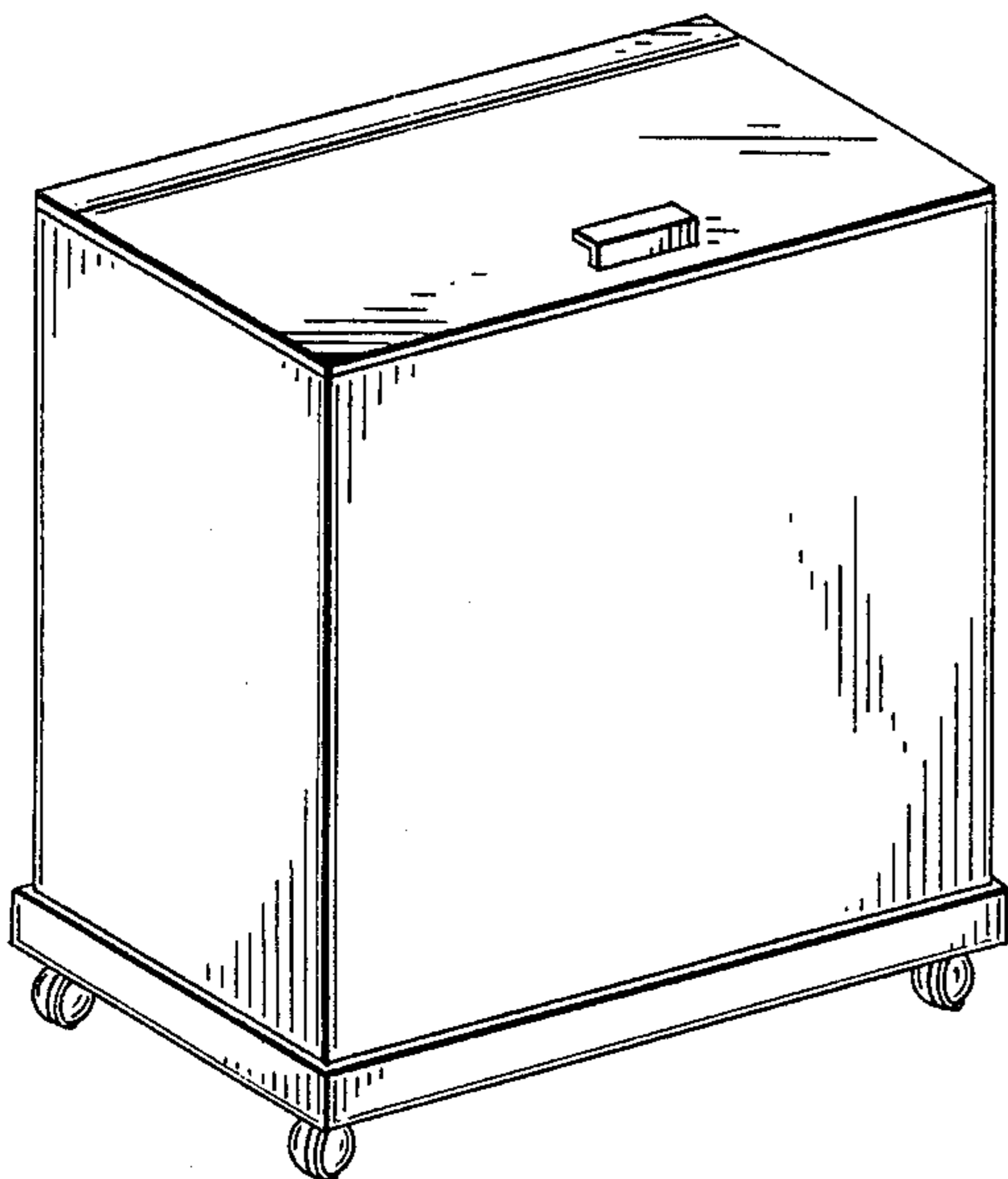
FIG. 7 is a top, front and side perspective view of a second embodiment thereof;

FIG. 8 is a front elevational view thereof, the rear view being identical;

FIG. 9 is a top plan view thereof; and

FIG. 10 is a side elevational view thereof, the opposite side being identical.

The undisclosed bottom view of the second embodiment is the same as FIG. 6.



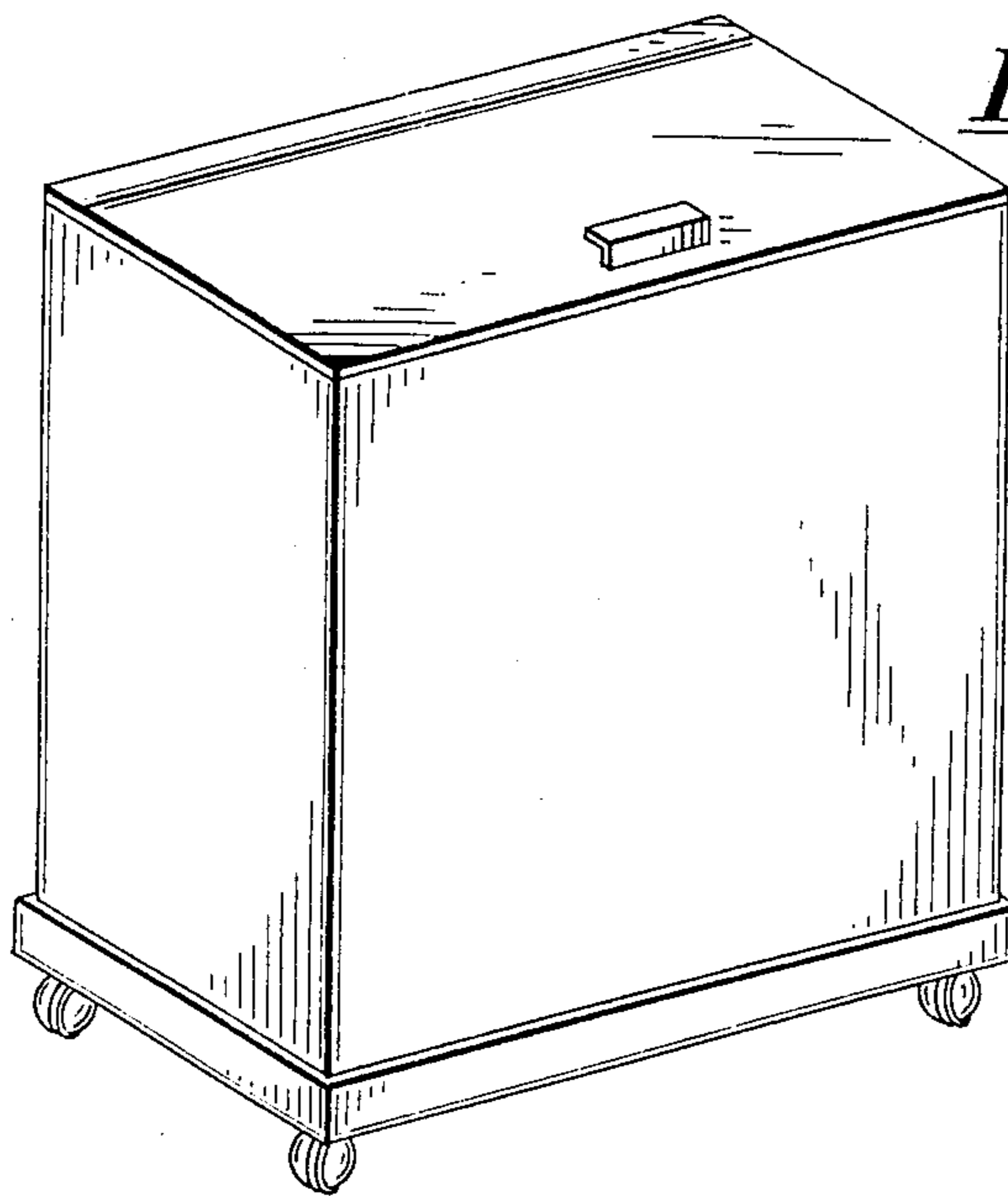


Fig. -1

Fig. -2

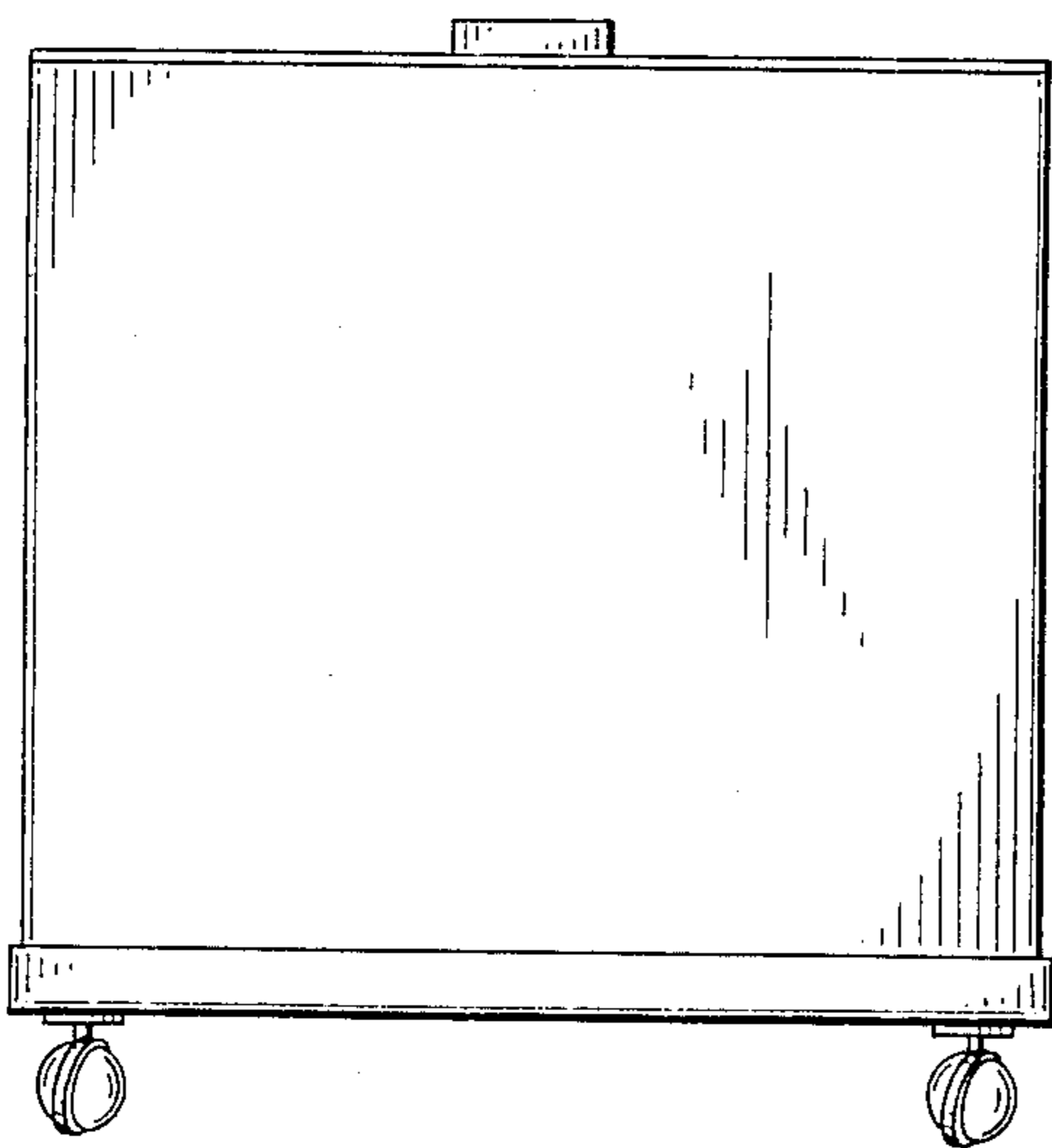


Fig. -3

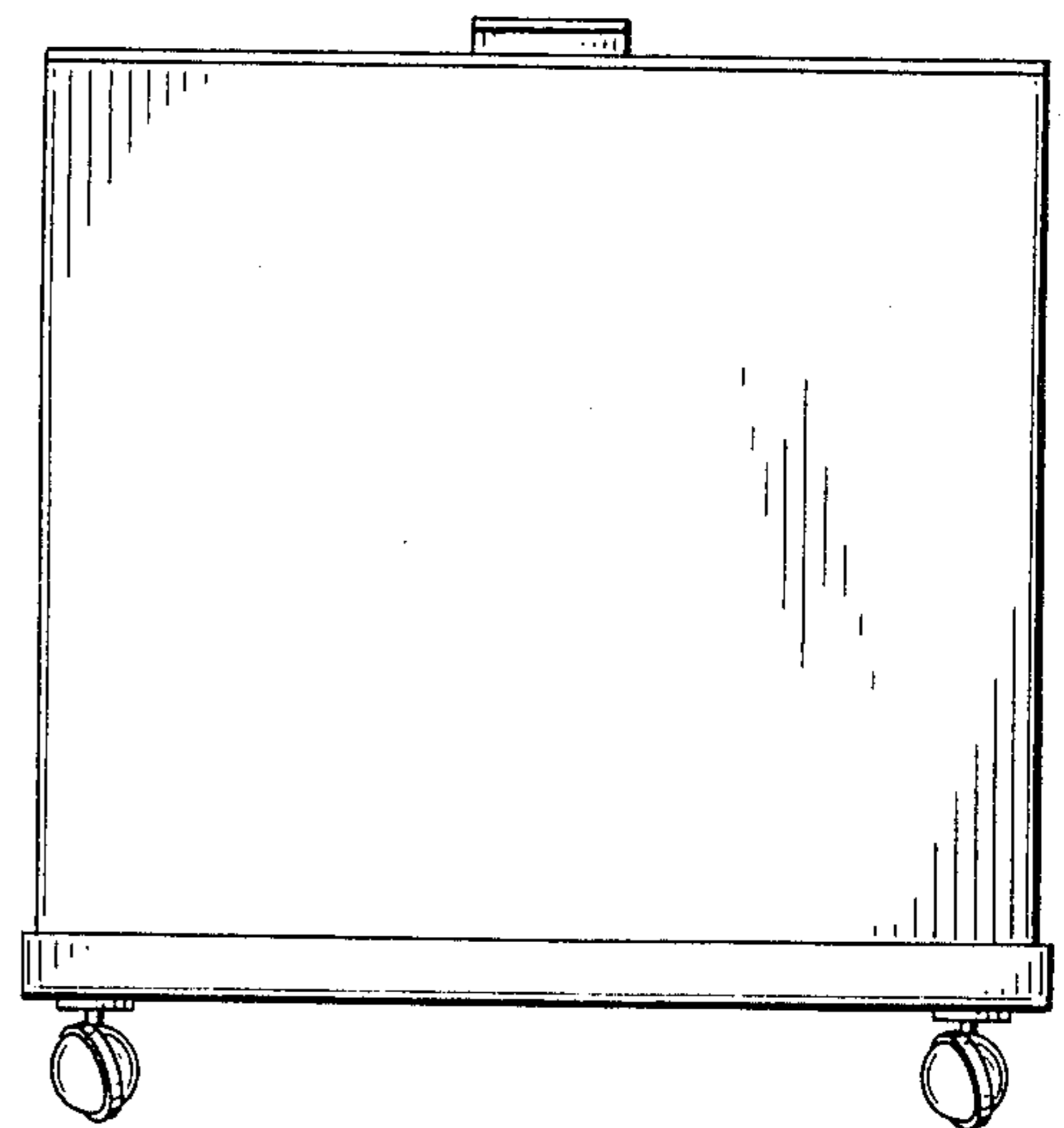


Fig. -4

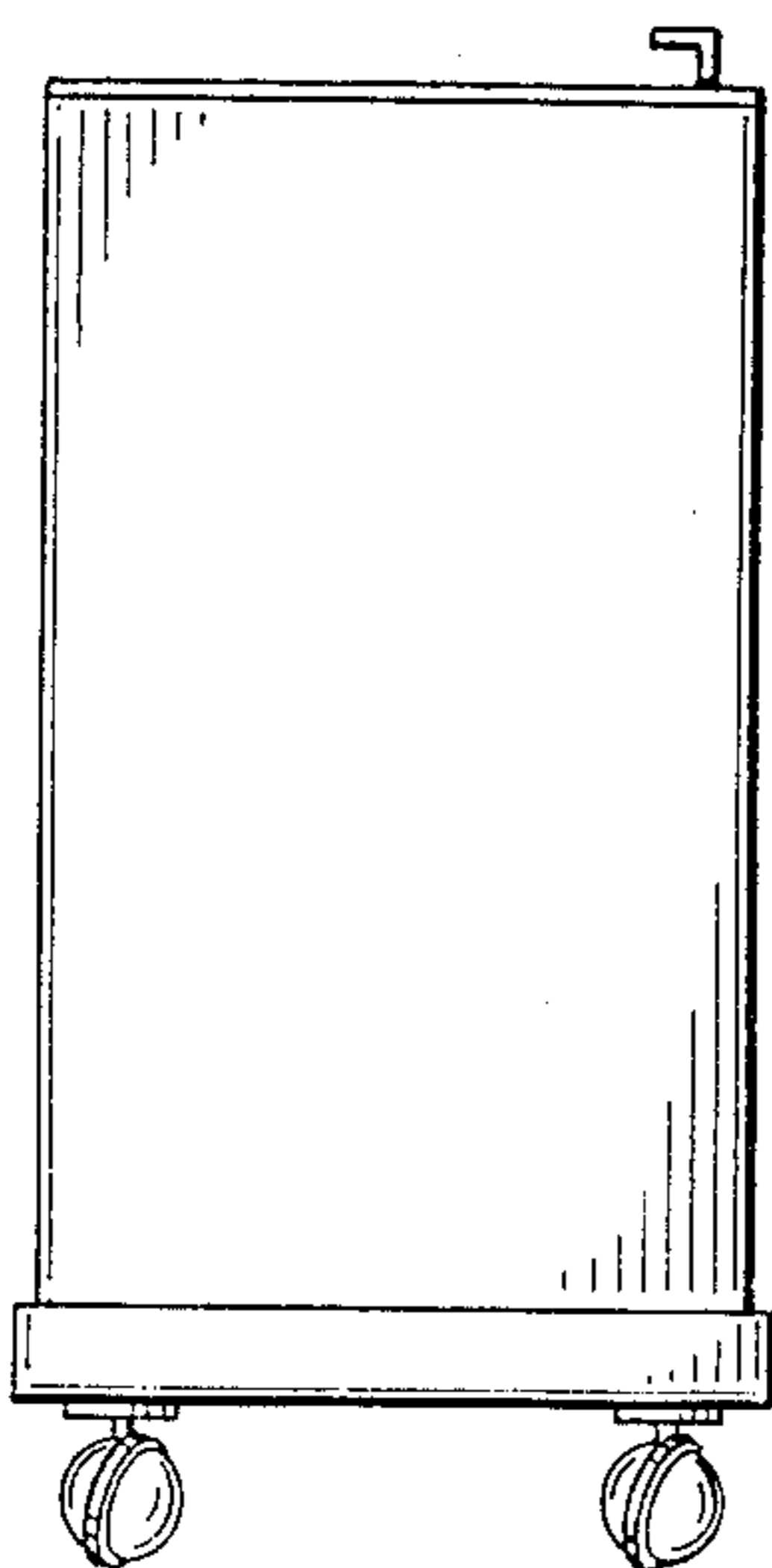


Fig. -5

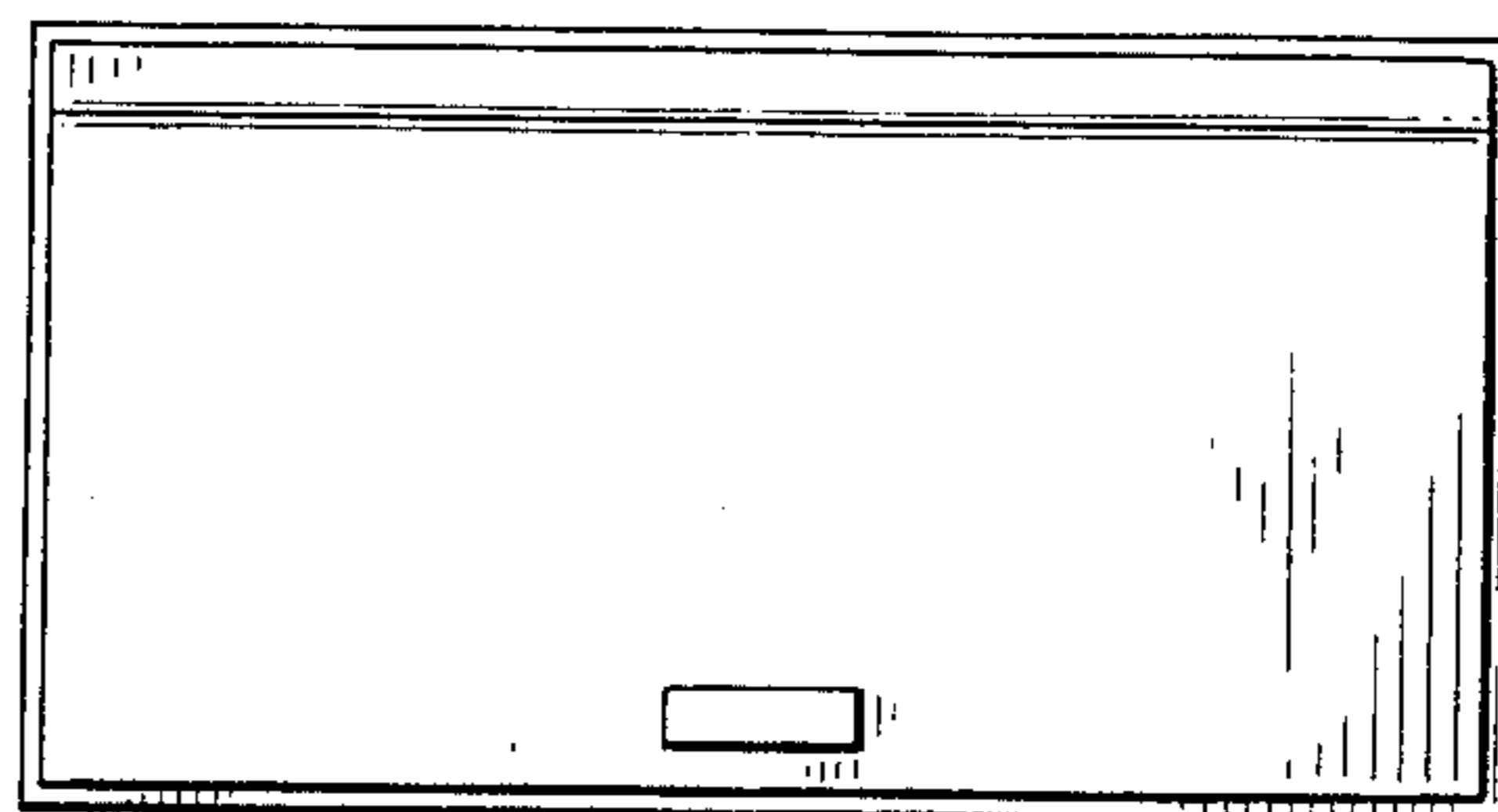
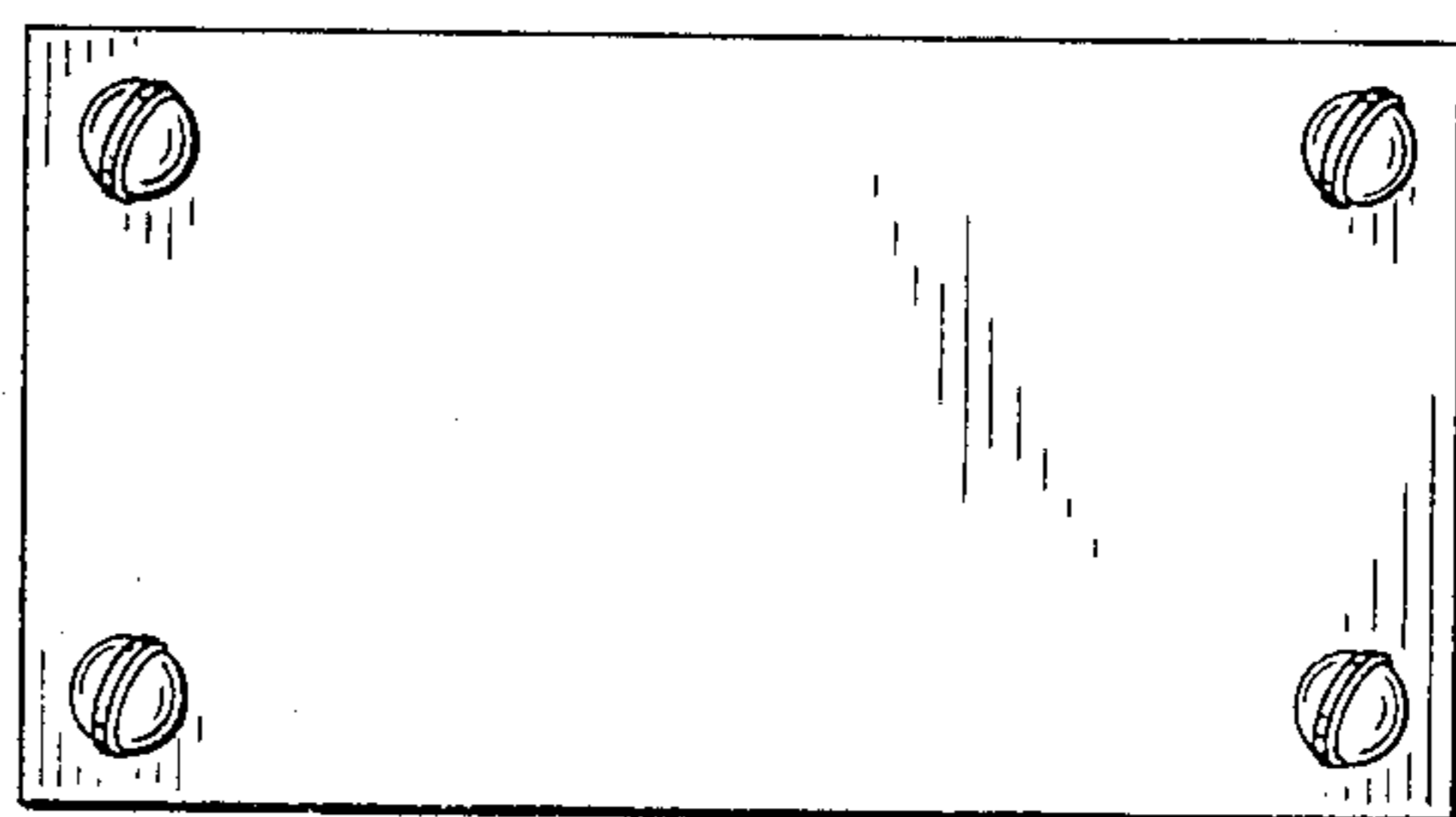


Fig. -6



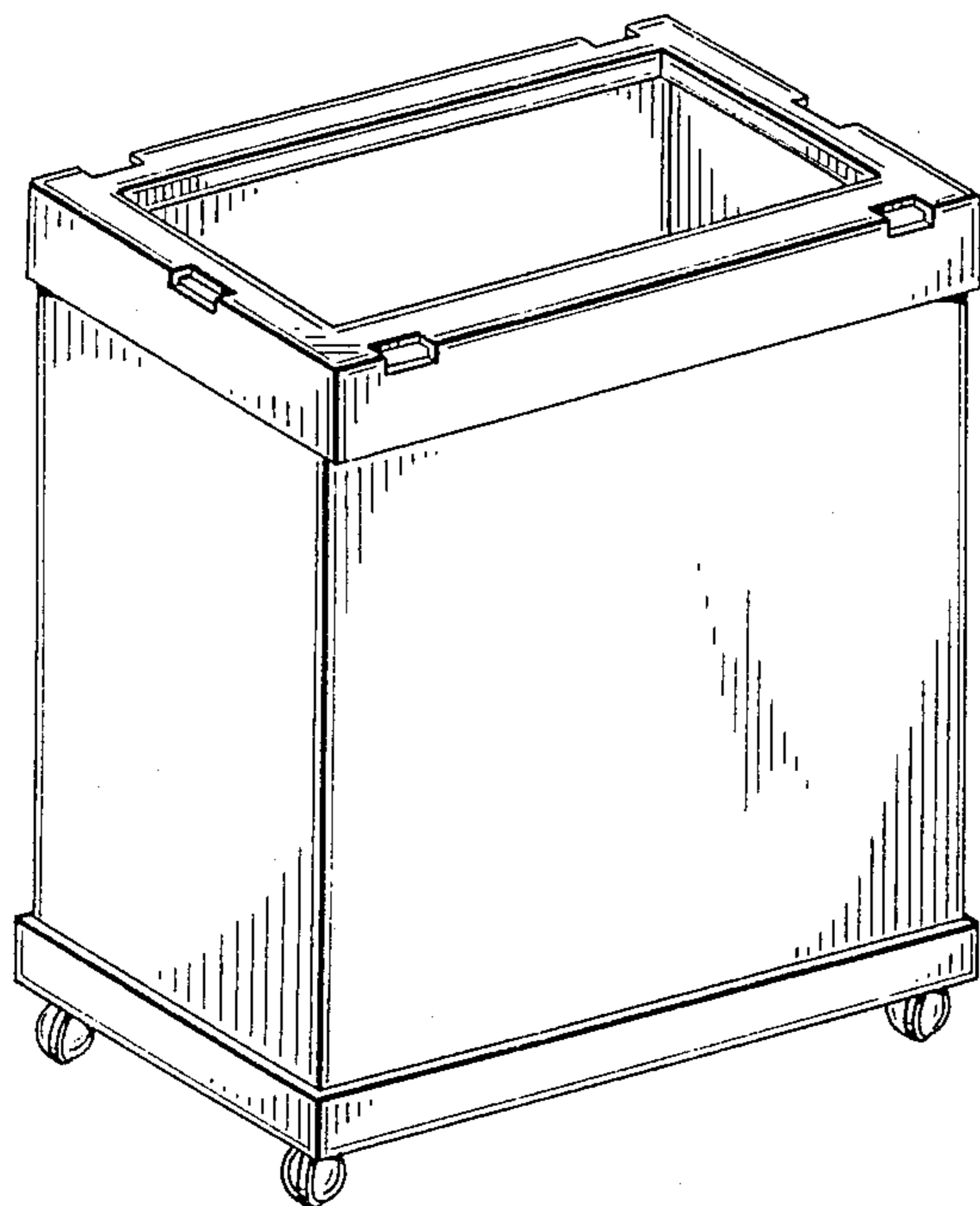


Fig. -7

Fig. -8

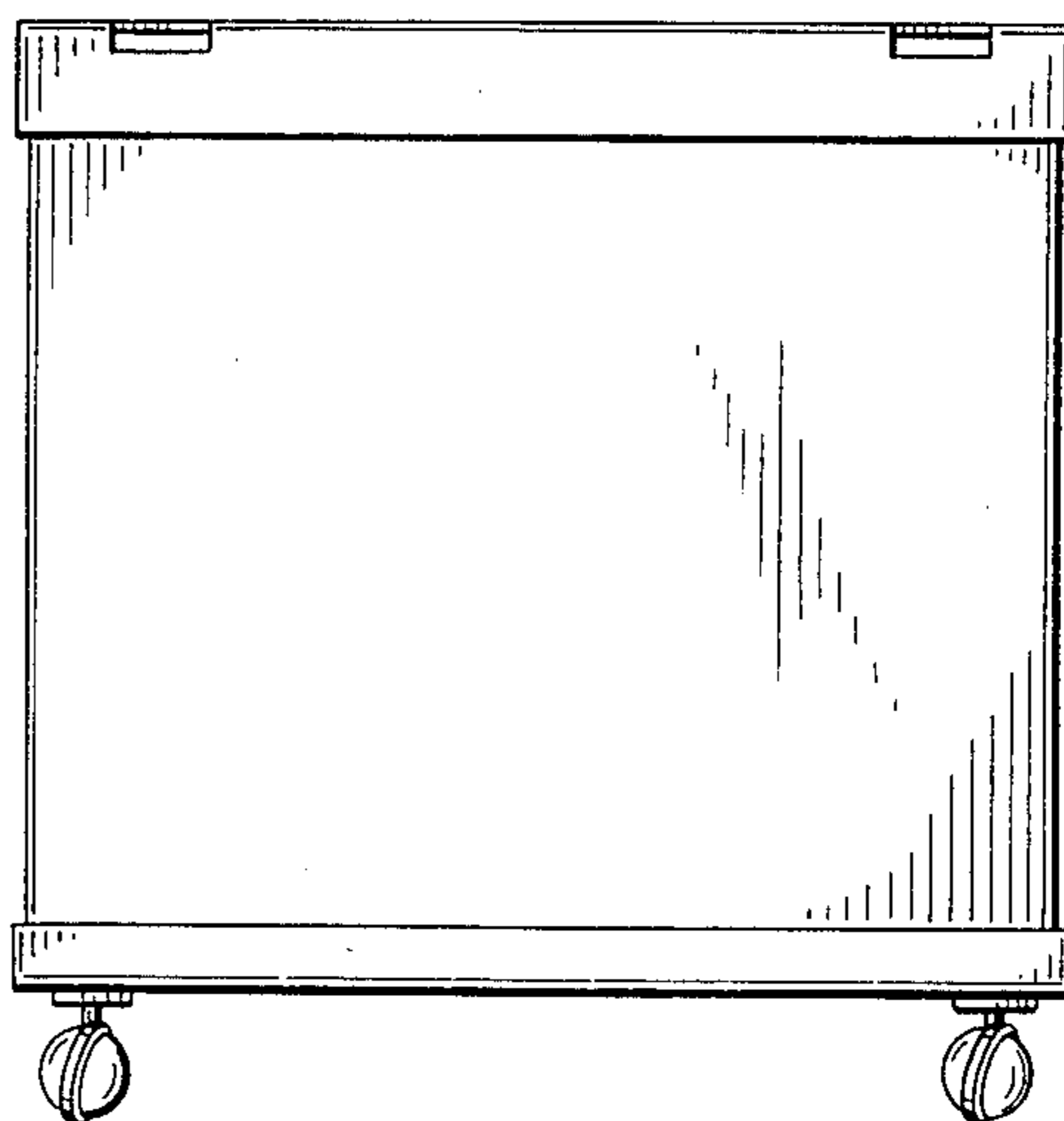


Fig. -9

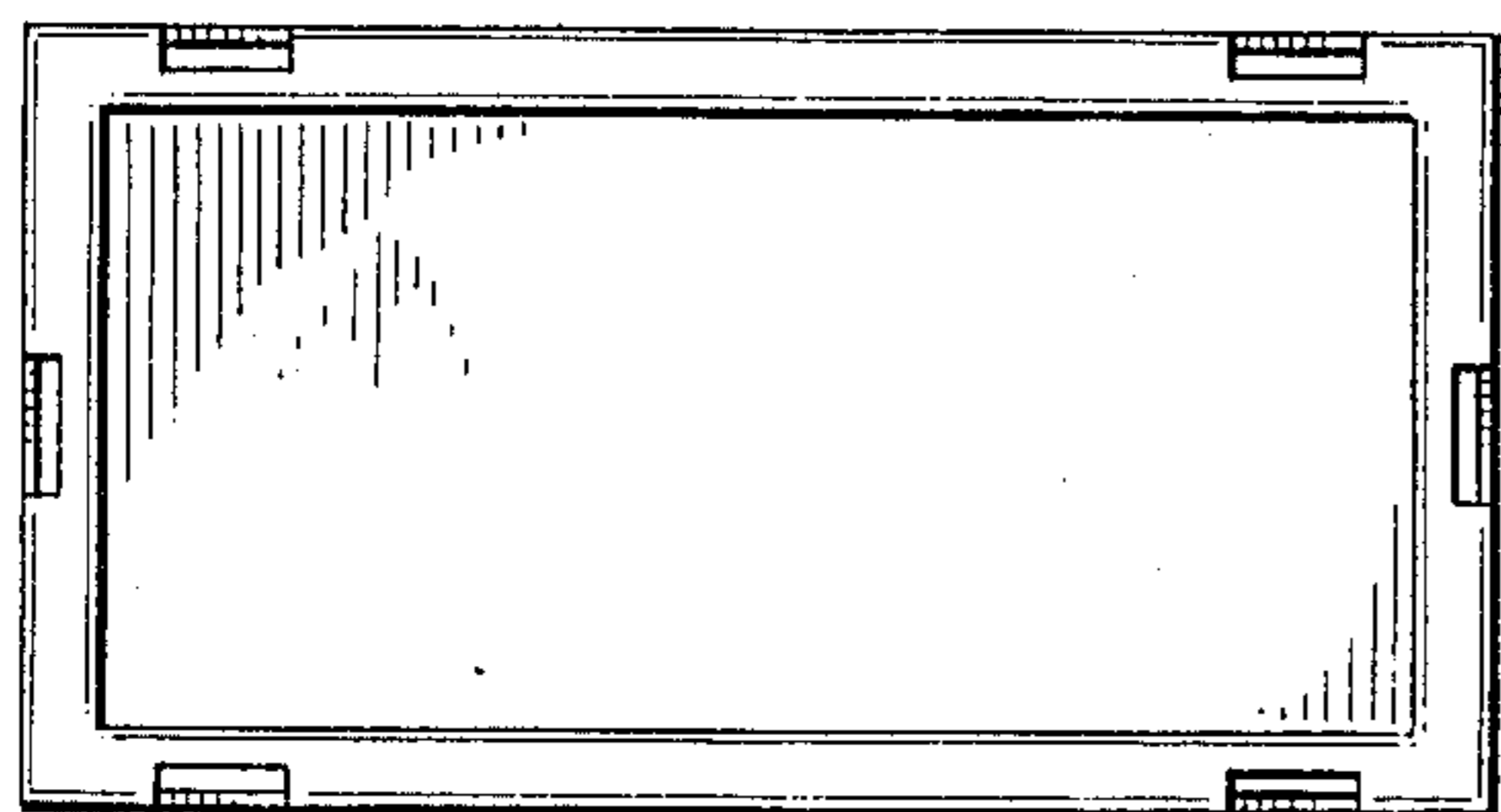


Fig. -10

