

United States Patent [19]

Van Cleave

[11] Patent Number: **Des. 299,390**

[45] Date of Patent: **** Jan. 17, 1989**

[54] PHOTO FILM DROP STAND

[75] Inventor: **Stephen W. Van Cleave**, Kensington, Ohio

[73] Assignee: **Tusco Manufacturing Company**, Gnadenhutten, Ohio

[**] Term: **14 Years**

[21] Appl. No.: **877,723**

[22] Filed: **Jun. 23, 1986**

[52] U.S. Cl. **D6/436; D6/442**

[58] Field of Search **D6/442, 421, 455, 457, D6/481, 480, 432, 436; 312/140.1, 140.2, 20; D25/16**

[56] **References Cited**

U.S. PATENT DOCUMENTS

D. 78,390 4/1929 Gullicksen D6/436
D. 90,955 10/1933 Reagan D6/436

D. 132,613 6/1942 Huth D6/436
D. 231,814 6/1974 Weaver D6/442
D. 236,398 8/1975 Alippe et al. D6/421
D. 254,327 2/1980 Tasse D25/16 X
4,265,059 5/1981 Johnson D25/16 X

Primary Examiner—Carmen H. Vales
Attorney, Agent, or Firm—Marshall & Melhorn

[57] **CLAIM**

The ornamental design for a photo film drop stand, as shown.

DESCRIPTION

FIG. 1 is a perspective view of a photo film drop stand showing my new design;

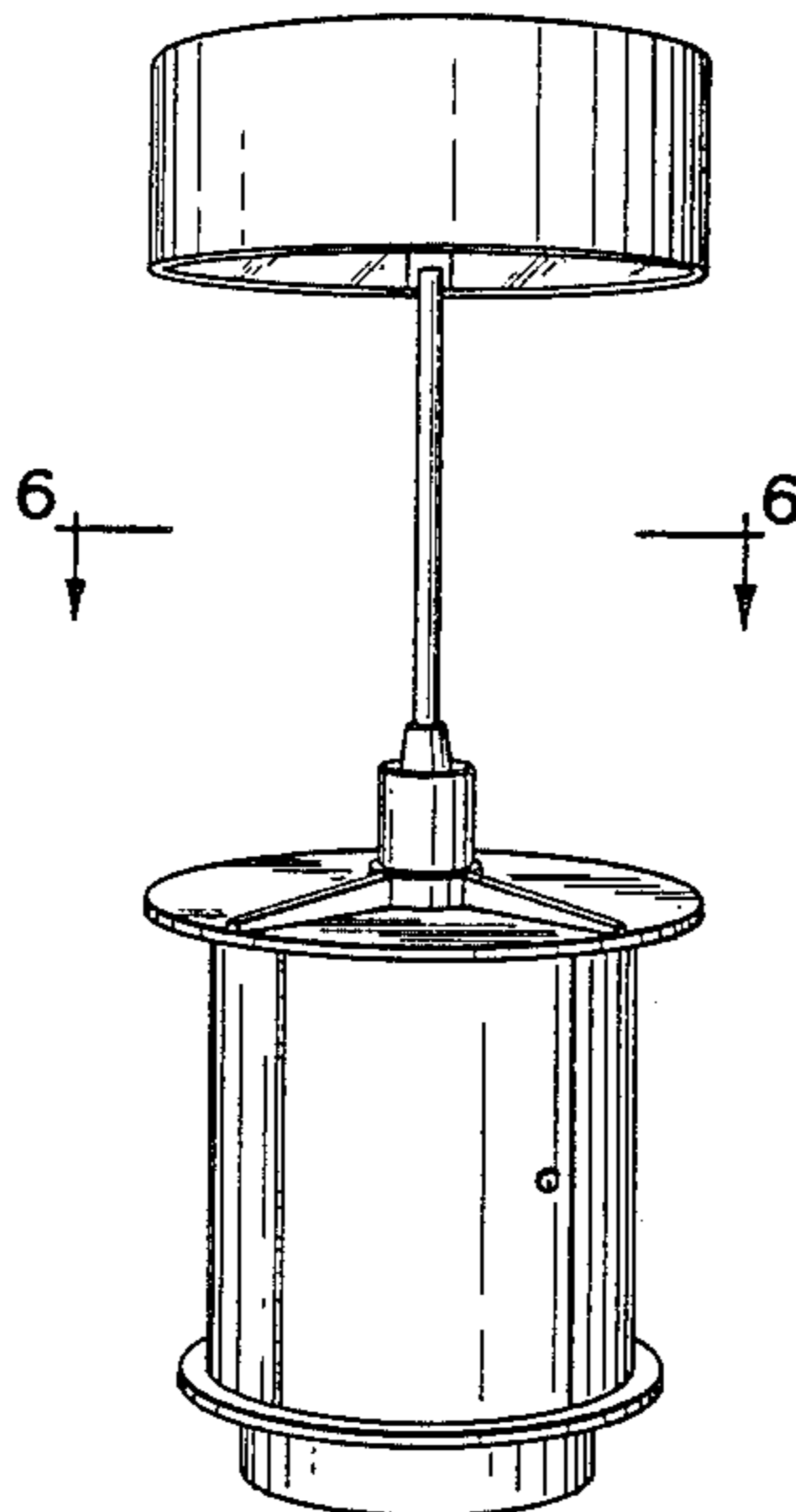
FIG. 2 is a top plan view thereof;

FIG. 3 is a right side elevational view thereof;

FIG. 4 is a rear elevational view thereof;

FIG. 5 is a left side elevational view thereof; and

FIG. 6 is a sectional view taken only along line 6—6 of FIG. 1.



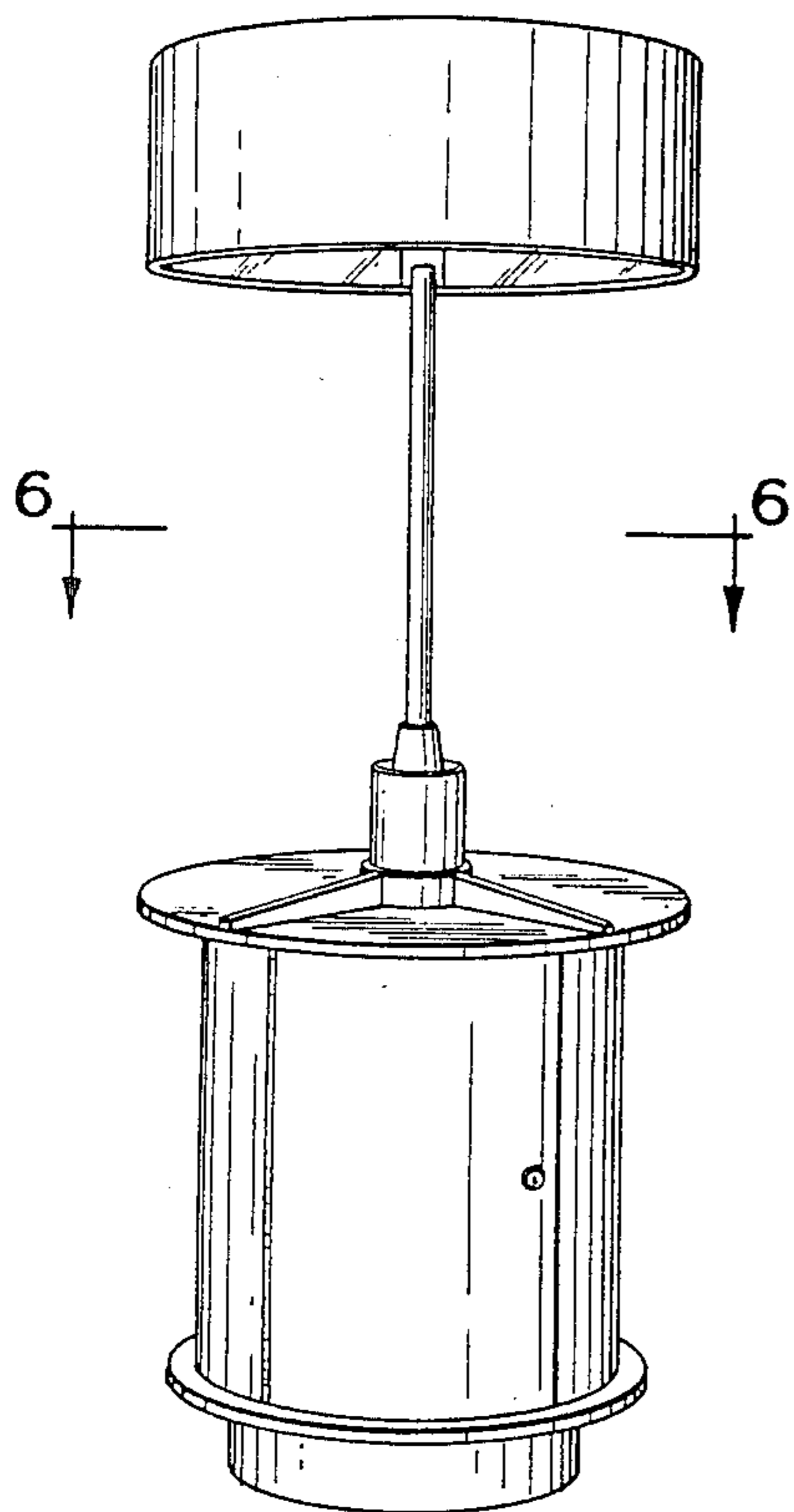


FIG. 1

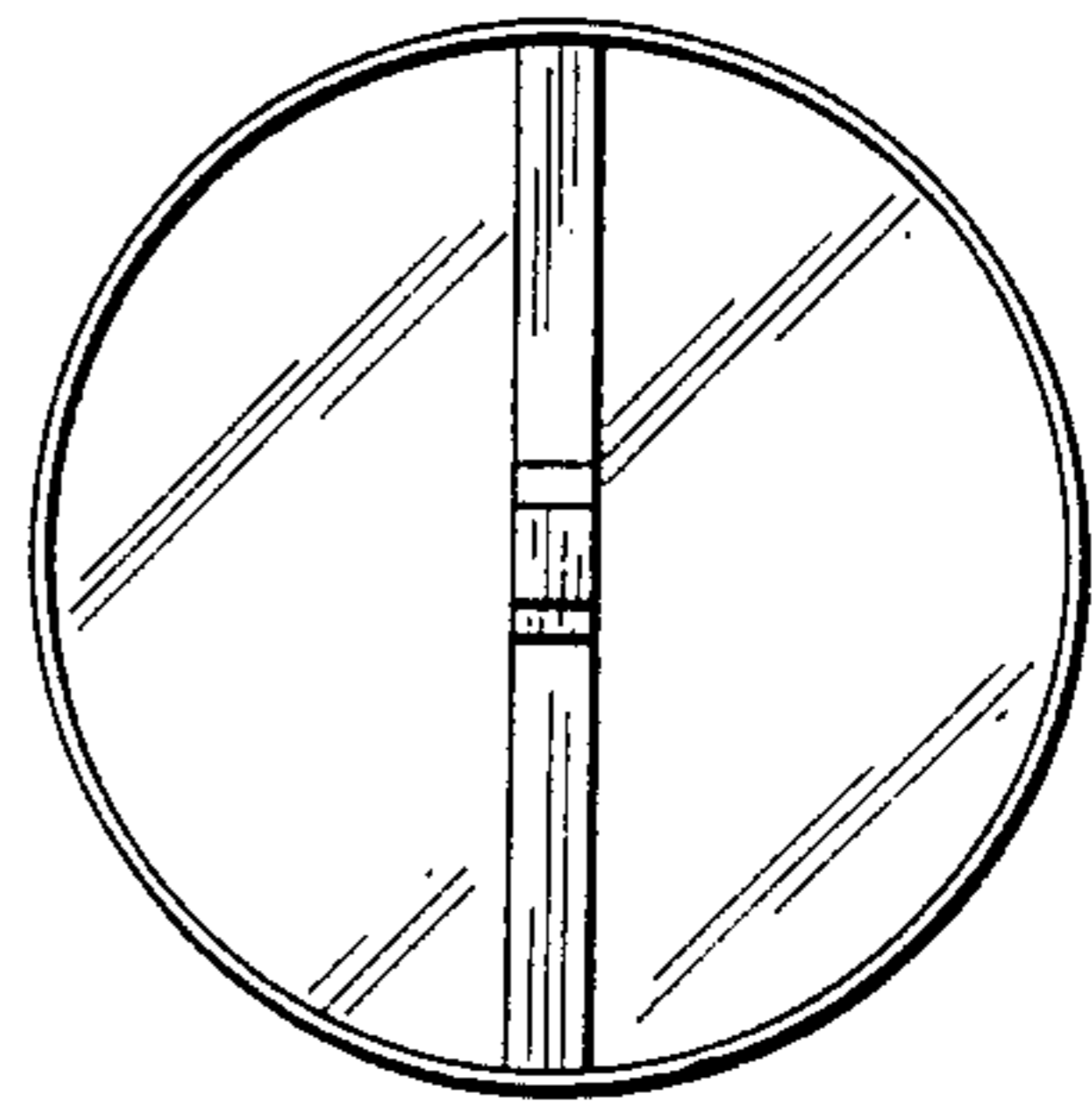


FIG. 2

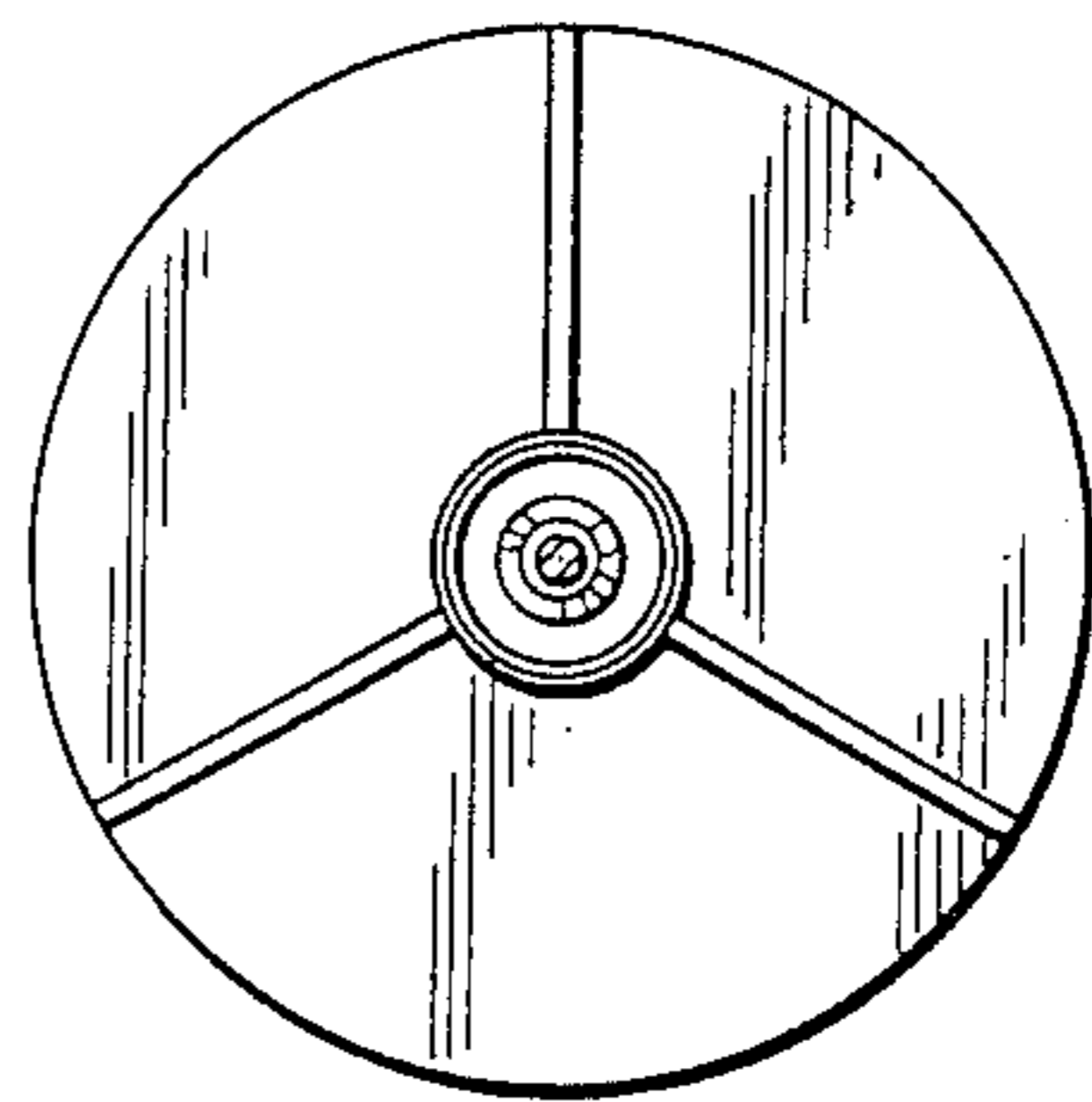


FIG. 6

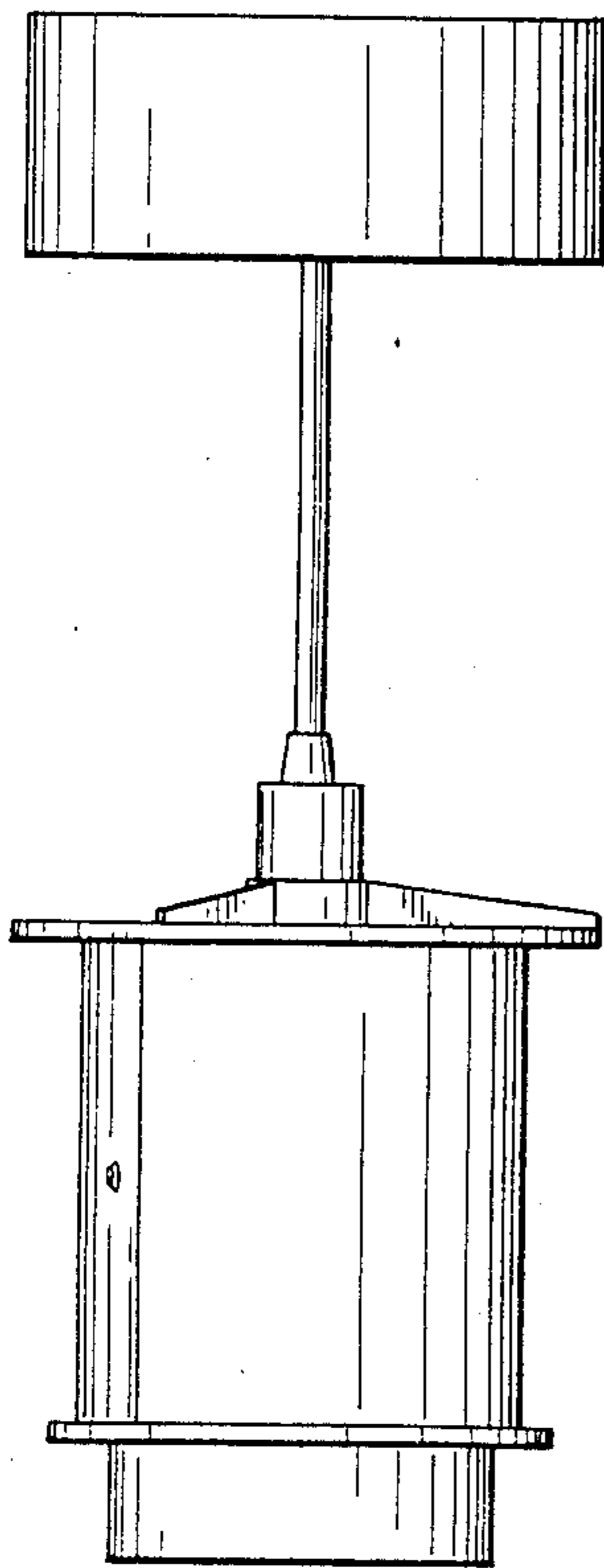


FIG. 3

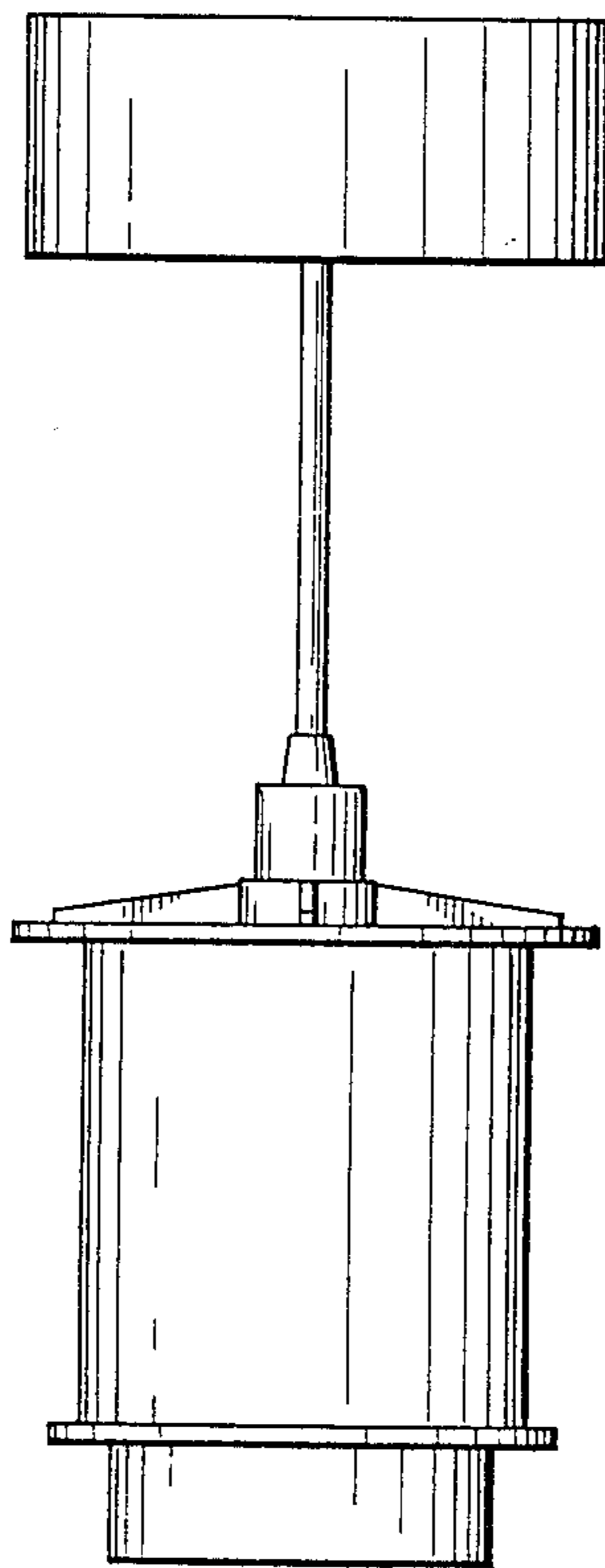


FIG. 4

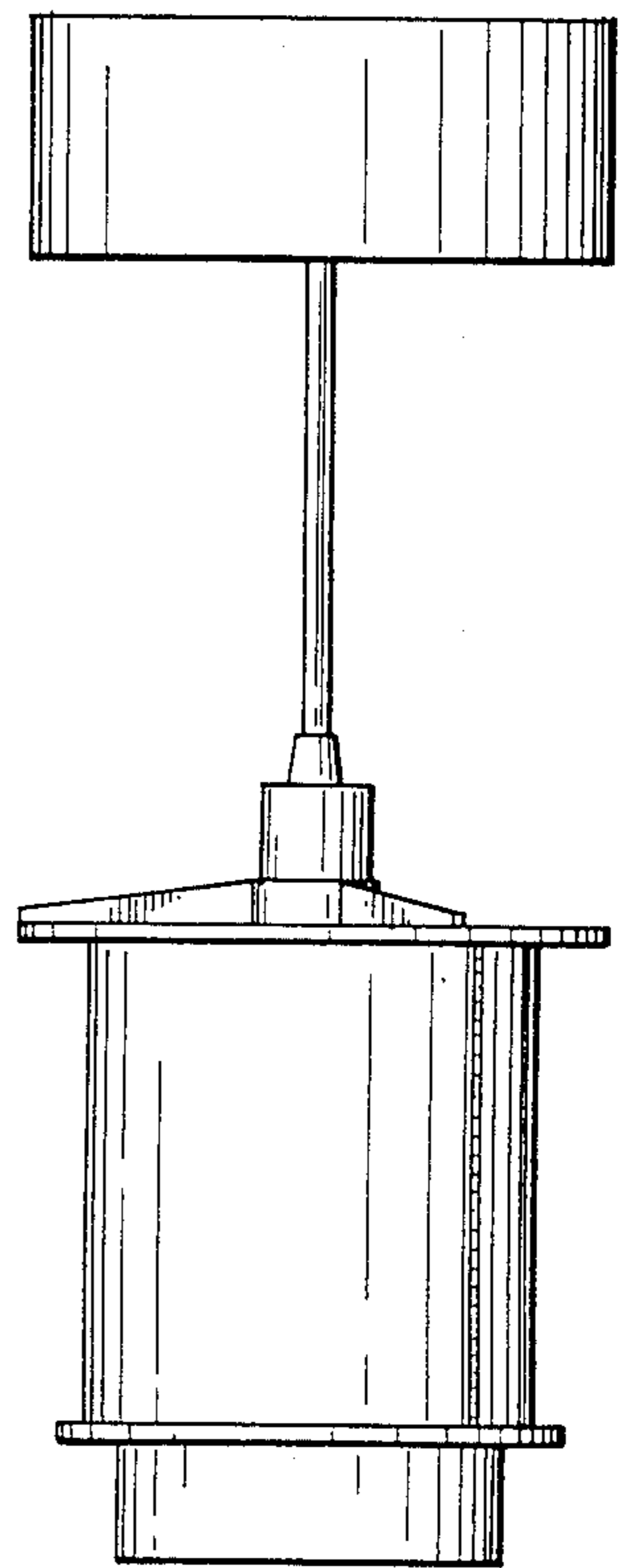


FIG. 5