

United States Patent [19]

Klodt

[11] Patent Number: **Des. 299,389**

[45] Date of Patent: **** Jan. 17, 1989**

[54] PAMPHLET HOLDER

[75] Inventor: **Gerald J. Klodt, Madison, Wis.**

[73] Assignee: **W. T. Rogers Company, Madison, Wis.**

[**] Term: **14 Years**

[21] Appl. No.: **782,361**

[22] Filed: **Oct. 1, 1985**

[52] U.S. Cl. **D6/407; D6/475; D3/35; D19/90**

[58] Field of Search **D14/65, 75-79, D14/86-88, 90, 92, 95, 99, 100, 85; D6/407, 475; D3/35; D9/347; 211/10, 11, 40, 42, 45, 50; 206/425**

[56] **References Cited**

U.S. PATENT DOCUMENTS

- D. 228,108 8/1973 Kerman D6/407
D. 236,675 9/1975 Darnell D6/407
D. 259,456 6/1981 Zeischegg et al. D6/475

- D. 266,129 9/1982 Lidstrom D19/90 X
D. 292,957 12/1987 Brüßing D6/475
D. 294,317 2/1988 Evenson et al. D6/475
3,759,395 9/1973 Johlin 211/11 X

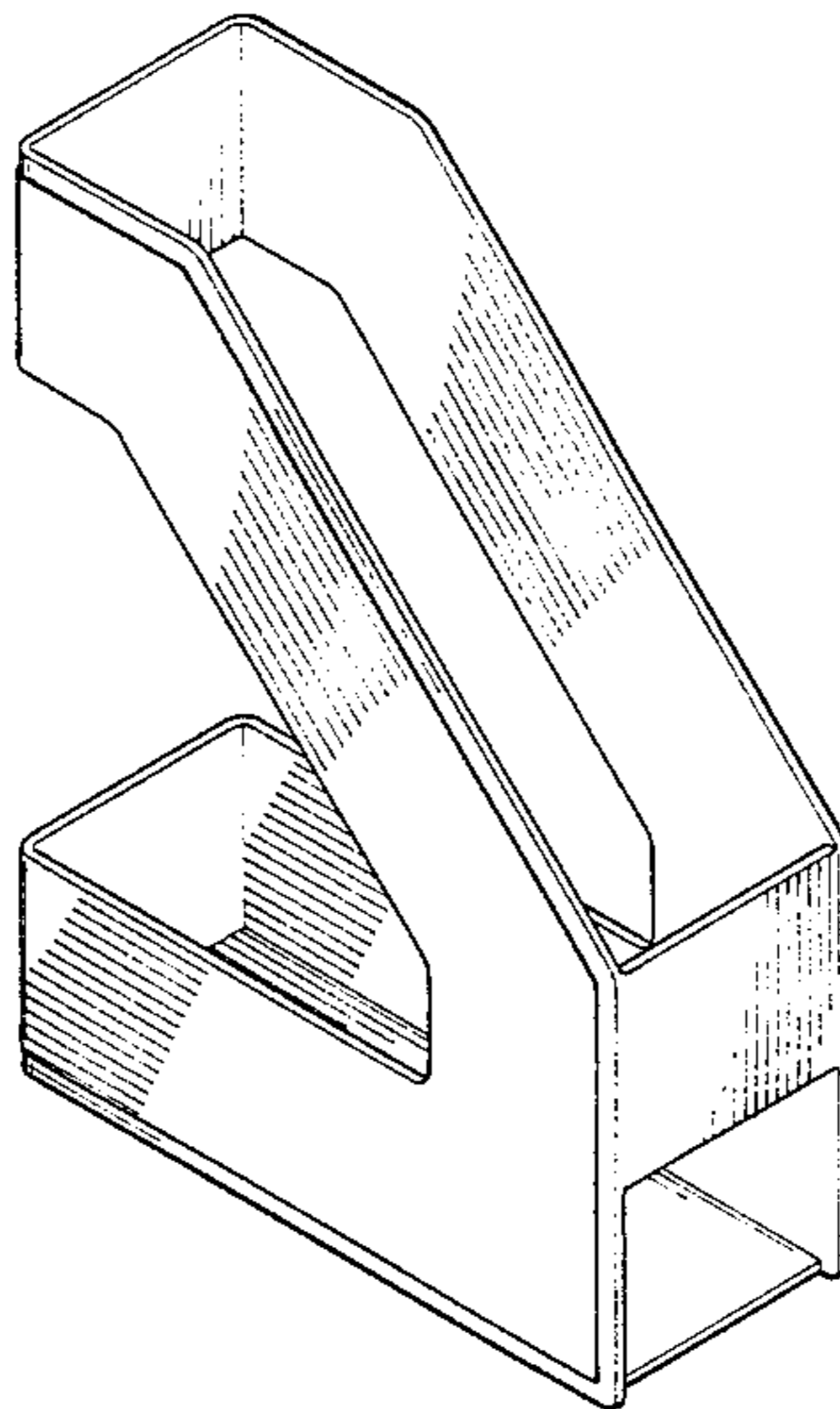
Primary Examiner—Bernard Ansher
Assistant Examiner—Theodore M. Shooman
Attorney, Agent, or Firm—Lathrop & Clark

[57] **CLAIM**

The ornamental design for a pamphlet holder, as shown and described.

DESCRIPTION

FIG. 1 is a top, front and left side perspective view of a pamphlet holder showing my new design;
FIG. 2 is a top plan view thereof;
FIG. 3 is a front elevational view thereof;
FIG. 4 is a rear elevational view thereof;
FIG. 5 is a right side elevational view thereof;
FIG. 6 is a bottom plan view thereof; and,
FIG. 7 is a top, front and left side perspective view of a second embodiment of the pamphlet holder illustrated in FIG. 1.



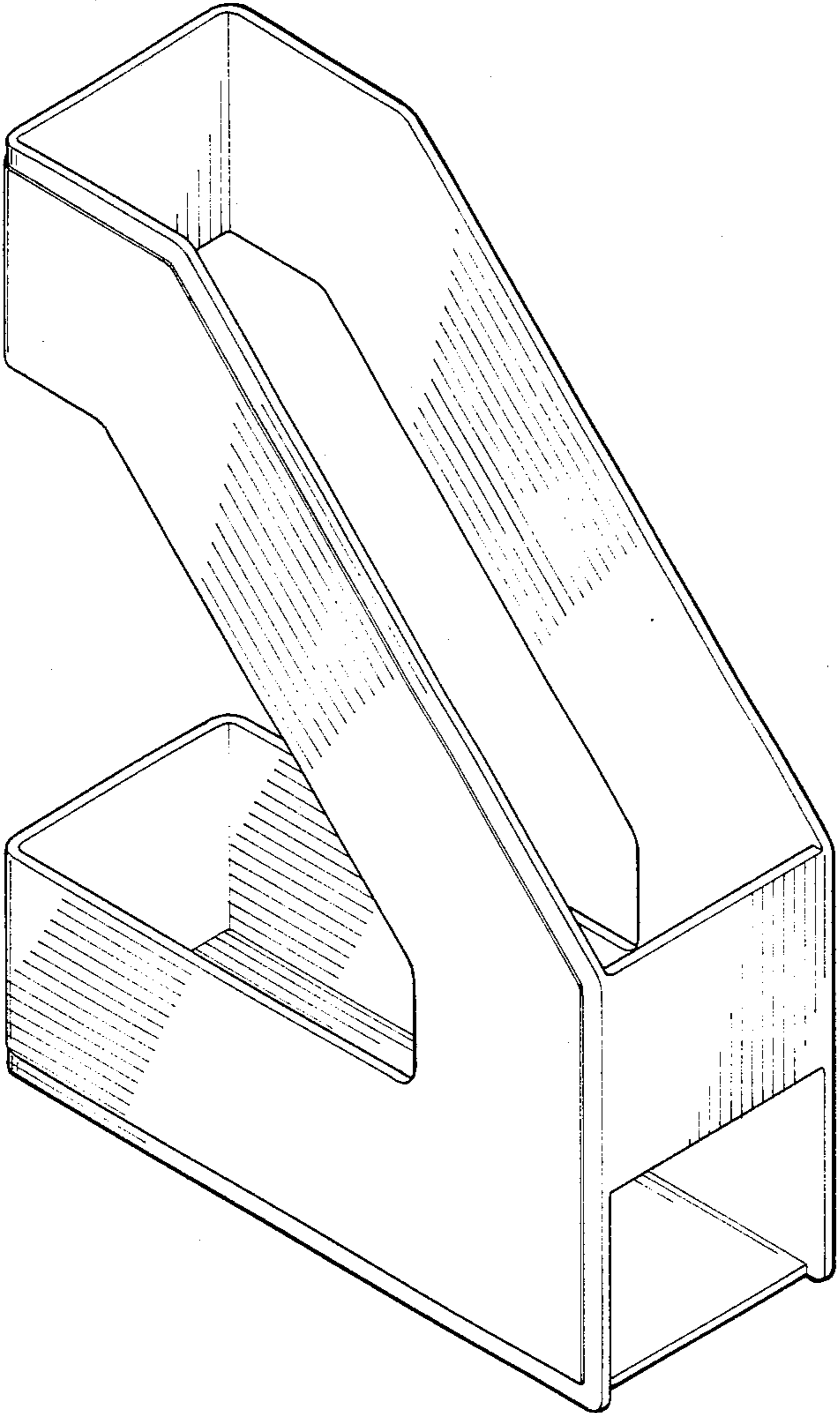
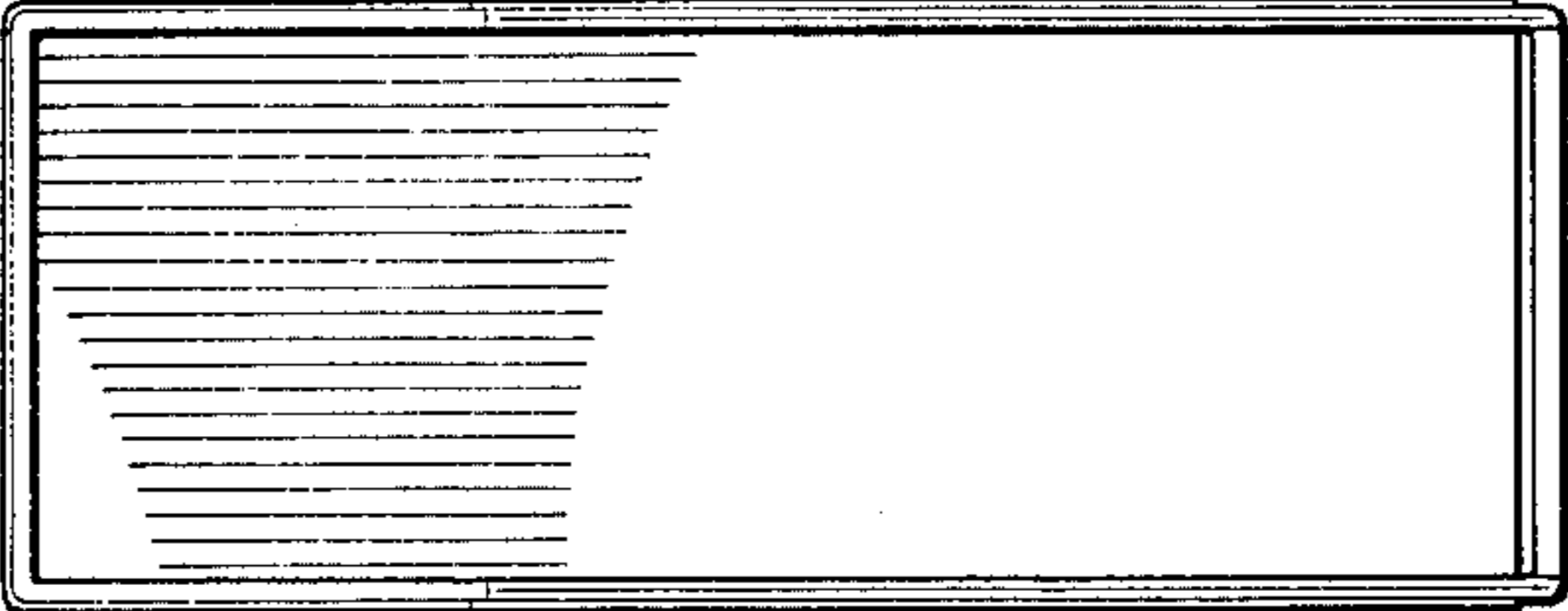


FIG. 1

FIG. 2



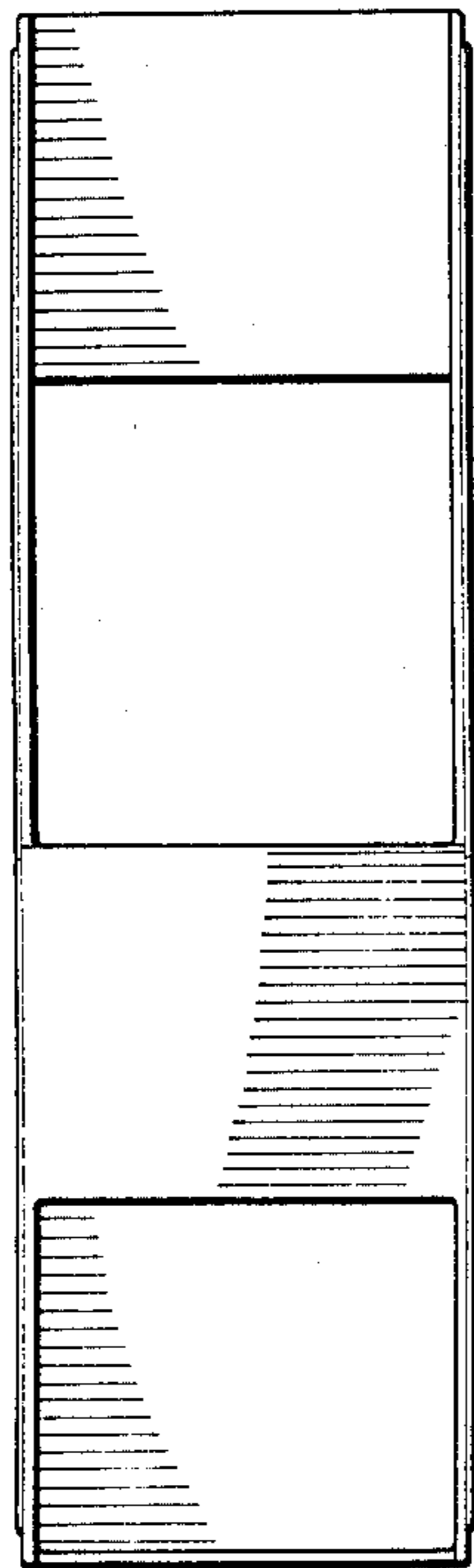


FIG. 3

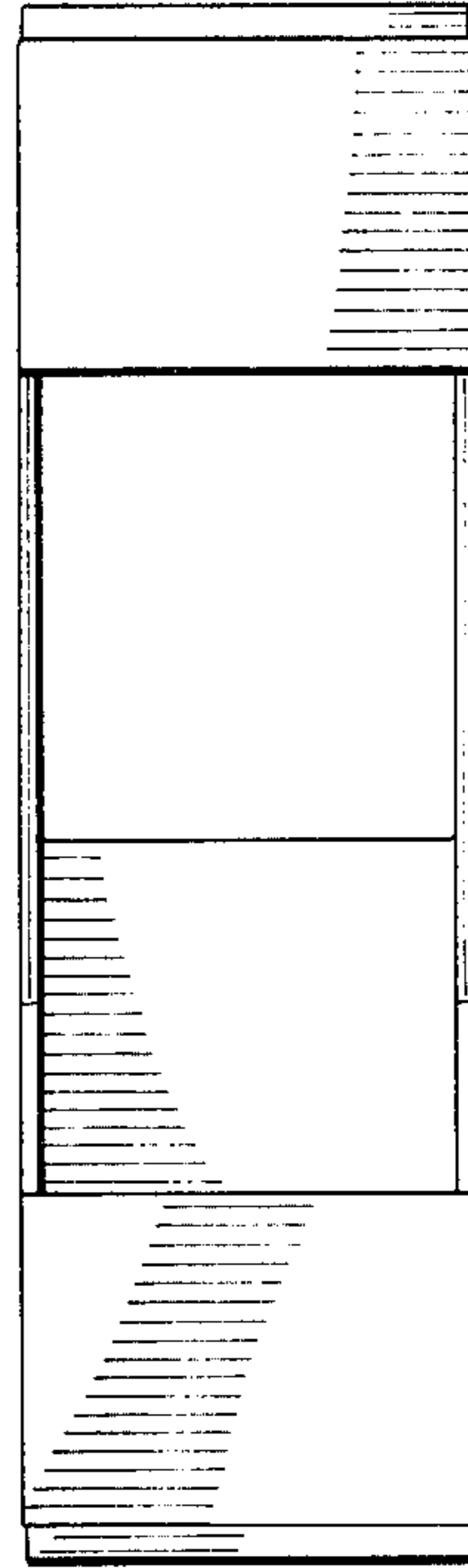


FIG. 4

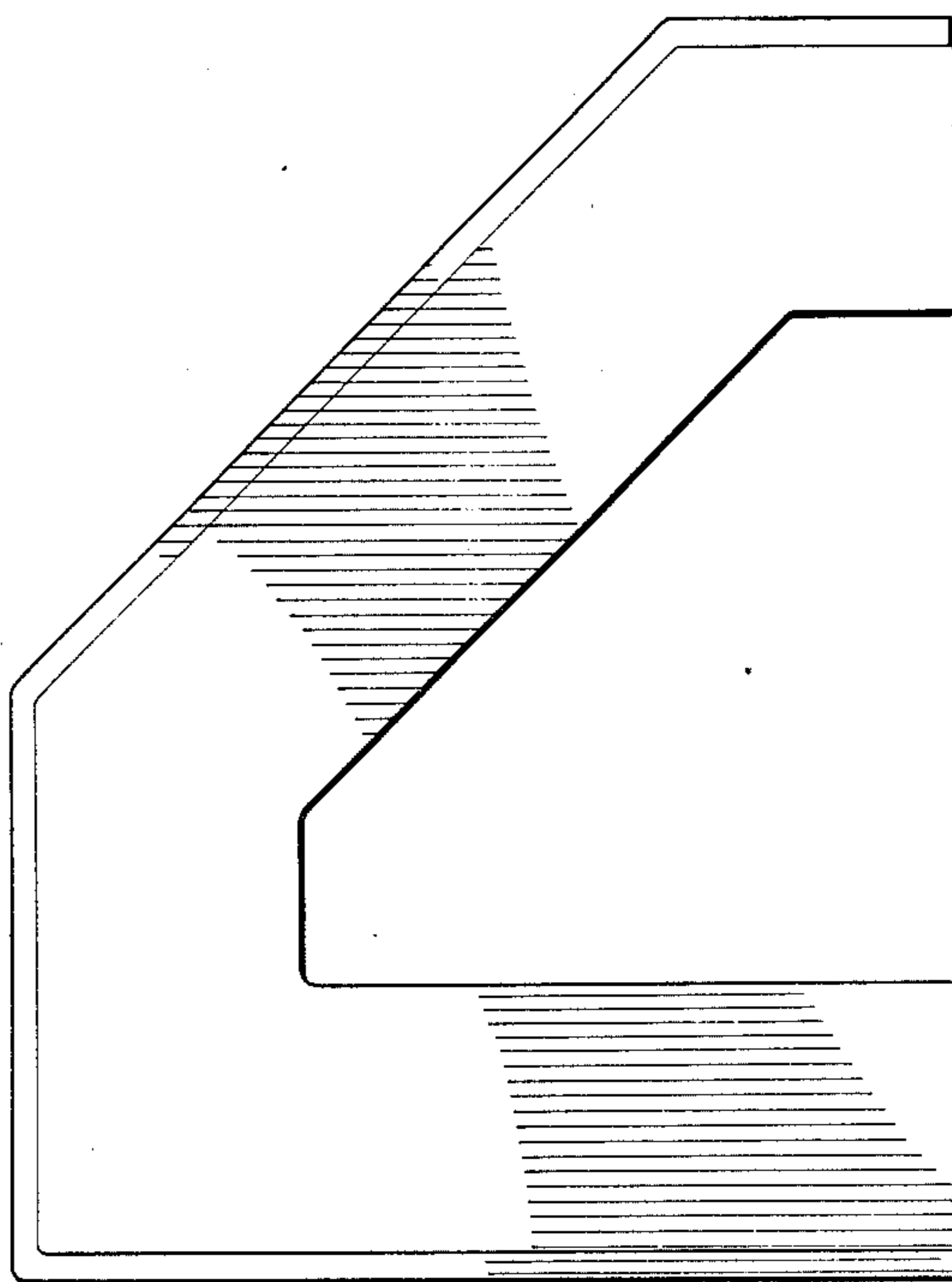


FIG. 5

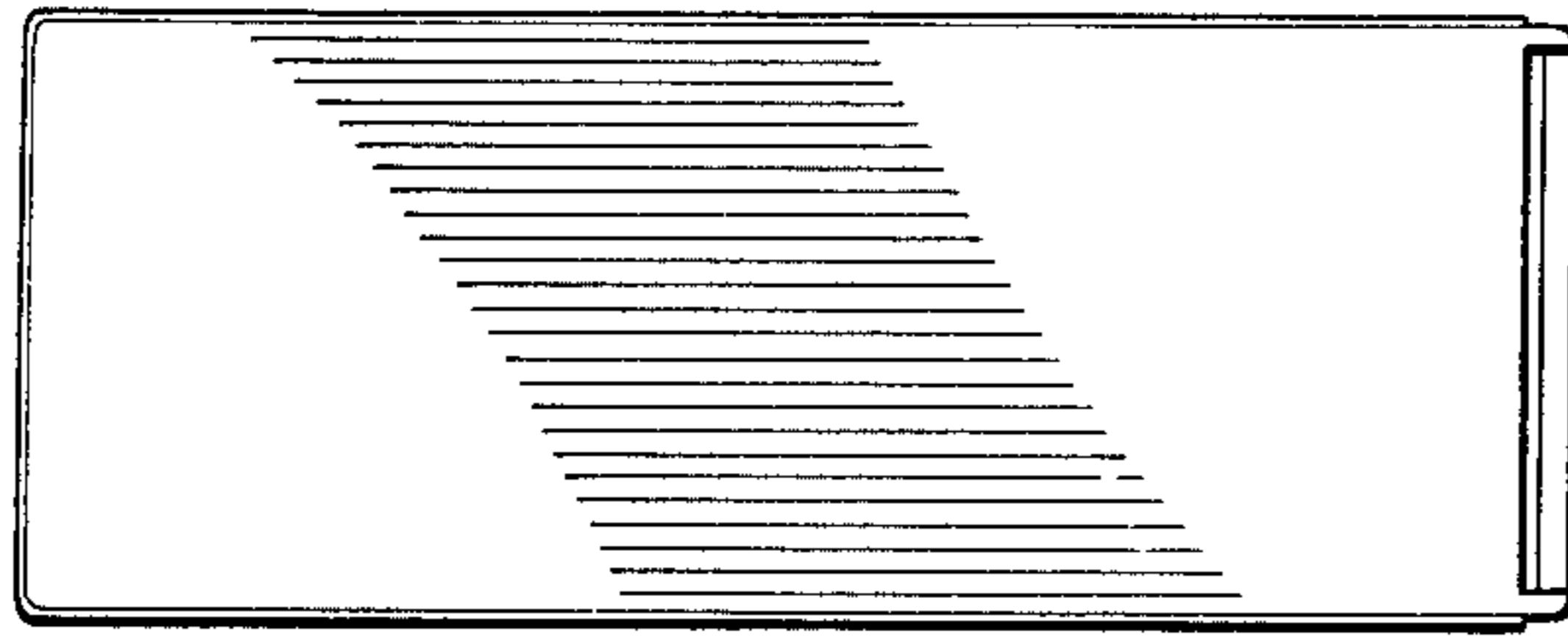


FIG. 6

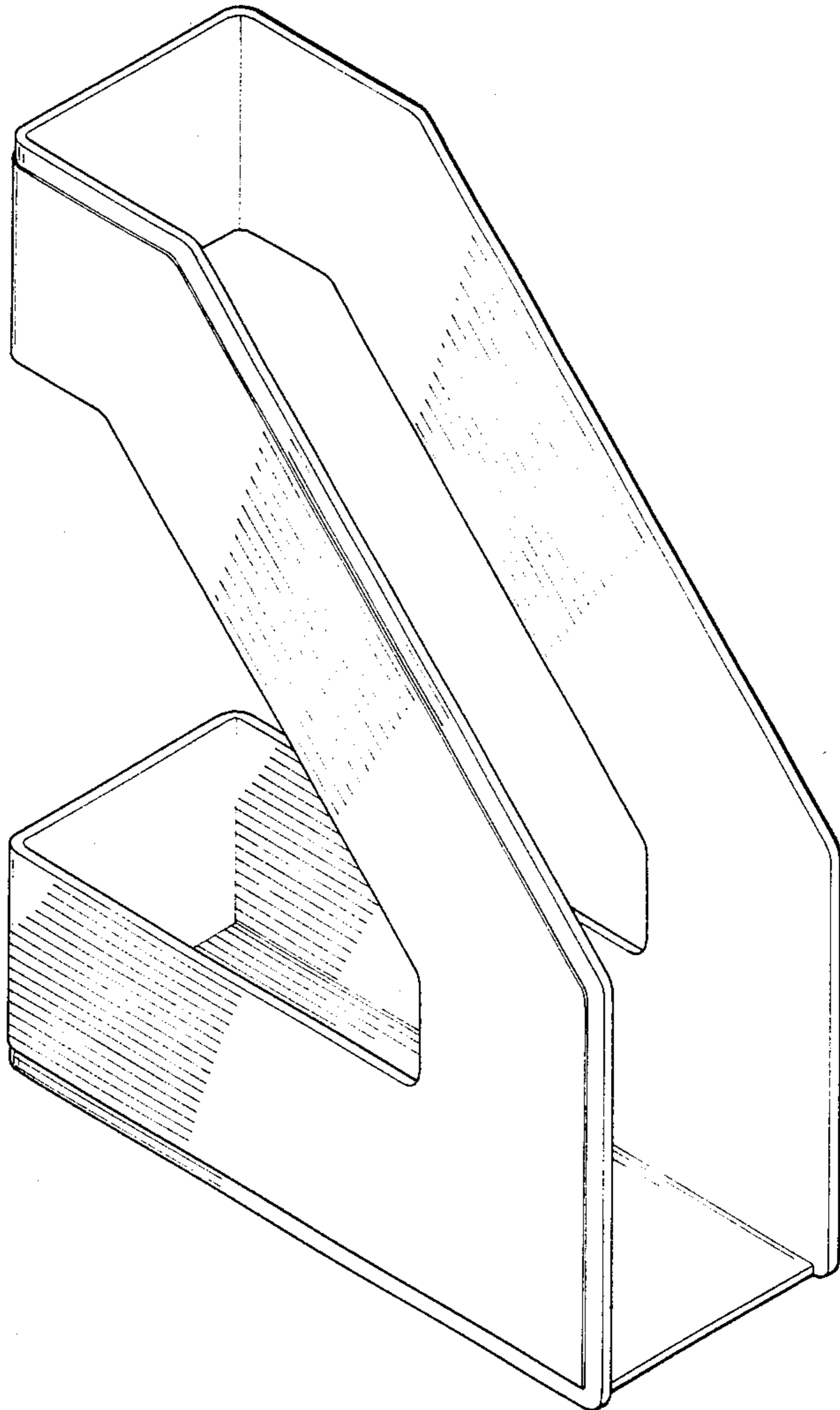


FIG. 7