

[54] NECKTIE OR SIMILAR ARTICLE

[76] Inventor: Robert Rosenbaum, 1043 Arbor La., Glenview, Ill. 60025

[\*\*] Term: 14 Years

[21] Appl. No.: 790,396

[22] Filed: Oct. 23, 1985

[52] U.S. Cl. .... D2/605

[58] Field of Search ..... D2/600, 601, 602, 603, D2/604, 605, 606-609; 2/144, 145, 46

[56] References Cited

U.S. PATENT DOCUMENTS

1,291,090	1/1919	Nuzum	.....	D2/605 X
1,482,560	2/1924	Hewes	.....	D2/605 X
1,751,963	3/1930	Weinsghreider	.....	2/145
3,487,471	1/1970	Hagen	.....	D2/605 X

Primary Examiner—Carmen H. Vales  
Attorney, Agent, or Firm—Michael G. Berkman;  
Trexler, Bushnell et al.

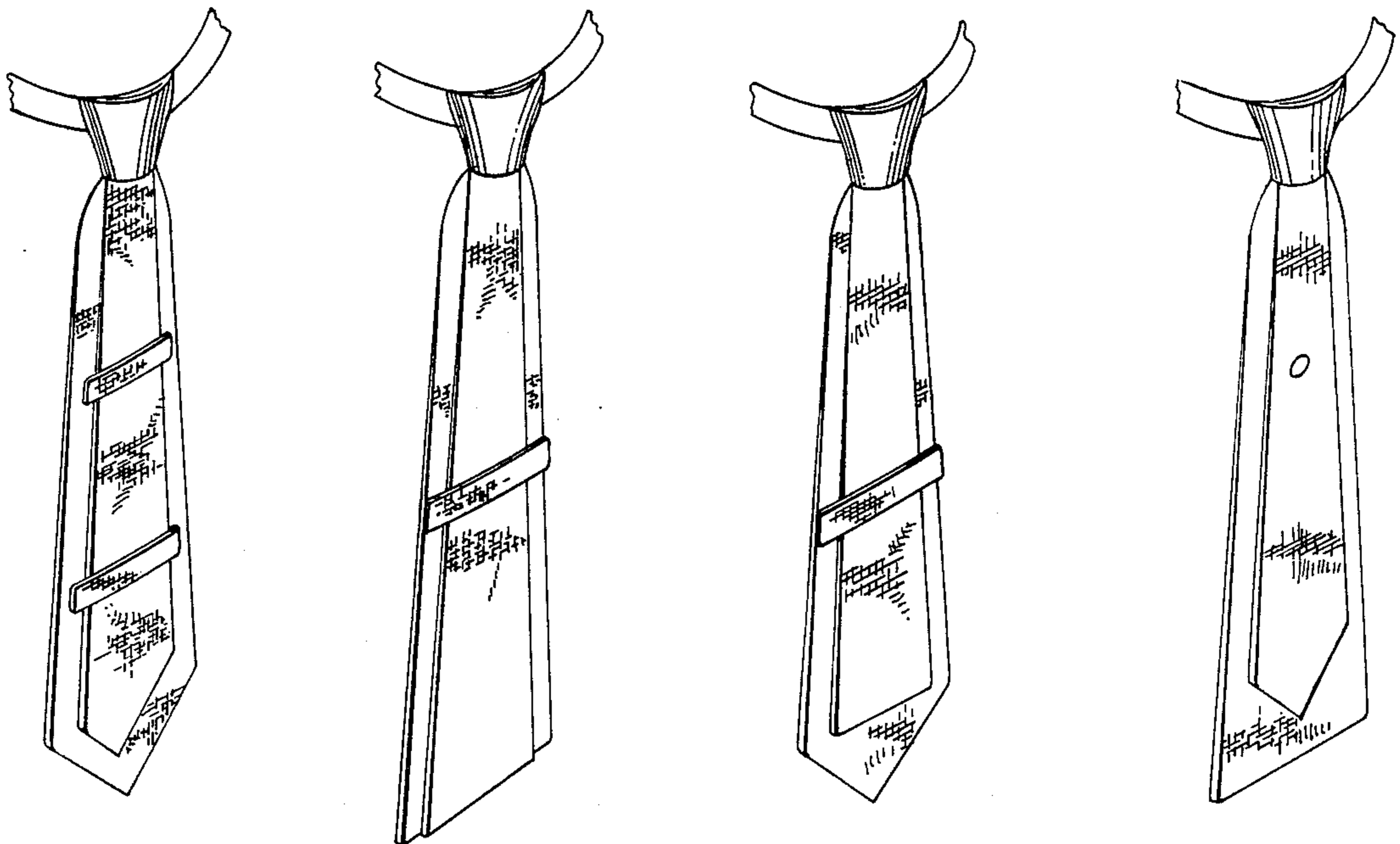
[57] CLAIM

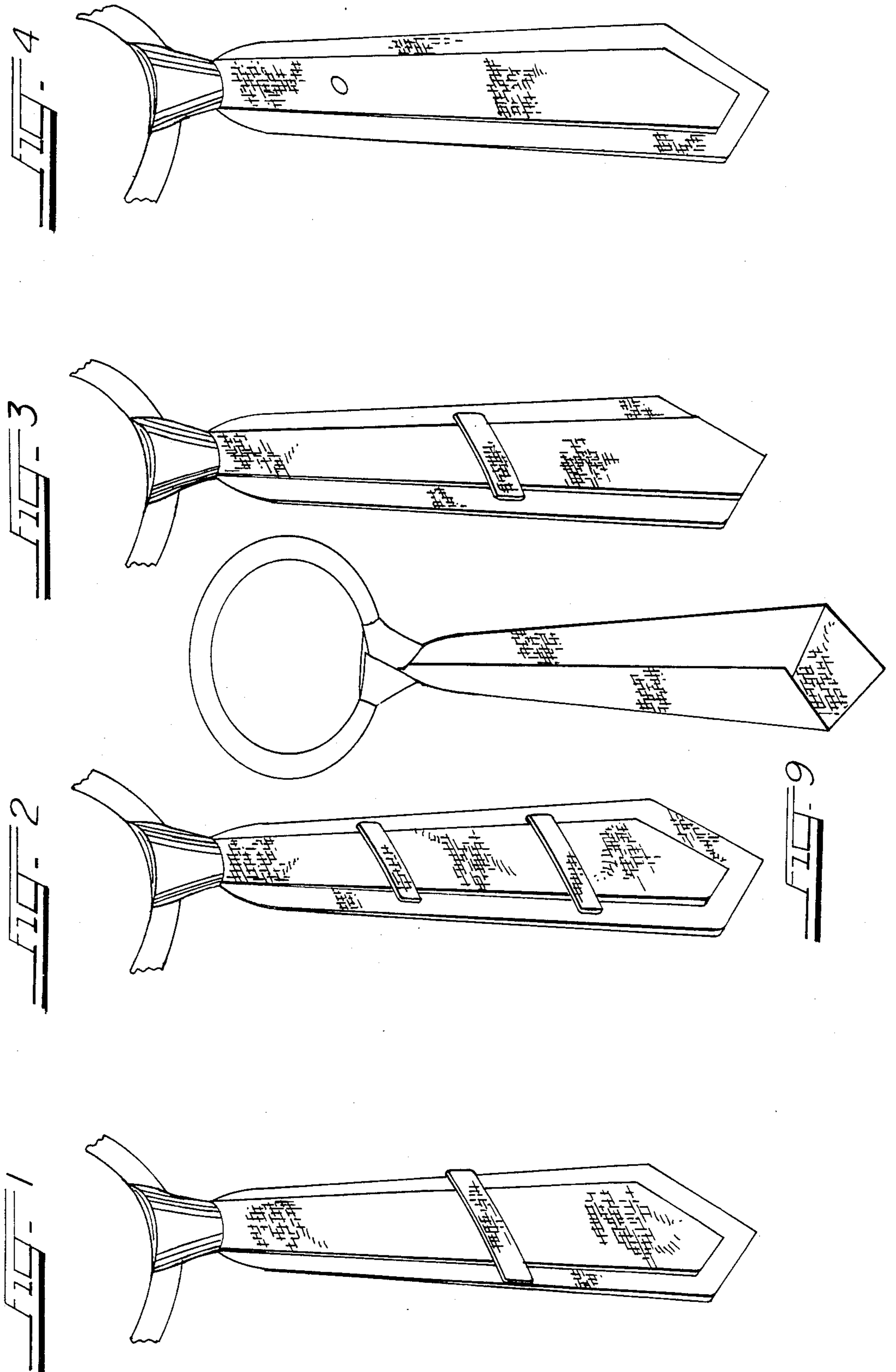
The ornamental design for a necktie or similar article, as shown and described.

DESCRIPTION

FIG. 1 is a perspective view of a necktie or similar article showing my new design;  
FIG. 2 is a perspective view of a second embodiment of the necktie shown in FIG. 1;

FIG. 3 is a perspective view of a third embodiment of the necktie shown in FIG. 1;  
FIG. 4 is a perspective view of a fourth embodiment of the necktie shown in FIG. 1;  
FIG. 5 is a perspective view of a fifth embodiment of the necktie shown in FIG. 1;  
FIG. 6 is a perspective view of a sixth embodiment of the necktie shown in FIG. 1;  
FIG. 7 is a perspective view of a seventh embodiment of the necktie shown in FIG. 1;  
FIG. 8 is a perspective view of an eighth embodiment of the necktie shown in FIG. 1;  
FIG. 9 is a rear elevational view of the necktie shown in FIGS. 1-4 and 10-13;  
FIG. 10 is a perspective view of a ninth embodiment of the necktie shown in FIG. 1;  
FIG. 11 is a perspective view of a tenth embodiment of the necktie shown in FIG. 1;  
FIG. 12 is a perspective view of an eleventh embodiment of the necktie shown in FIG. 1;  
FIG. 13 is a perspective view of a twelfth embodiment of the necktie shown in FIG. 1;  
FIG. 14 is a perspective view of a thirteenth embodiment of the necktie shown in FIG. 1;  
FIG. 15 is a perspective view of a fourteenth embodiment of the necktie shown in FIG. 1;  
FIG. 16 is a perspective view of a fifteenth embodiment of the necktie shown in FIG. 1;  
FIG. 17 is a perspective view of a sixteenth embodiment of the necktie shown in FIG. 1 and;  
FIG. 18 is a rear elevational view of the necktie shown in FIGS. 5-8 and 14-17.  
The neck strap is shown broken away in FIGS. 1 through 8 and 10 through 18 for convenience of illustration.





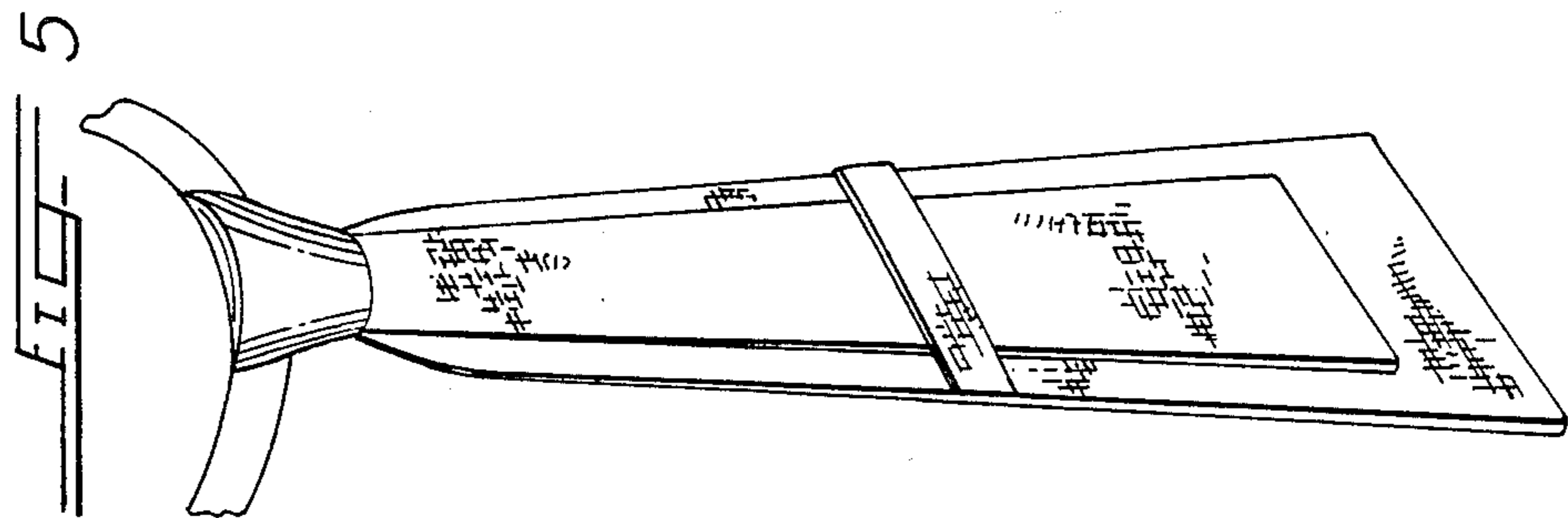
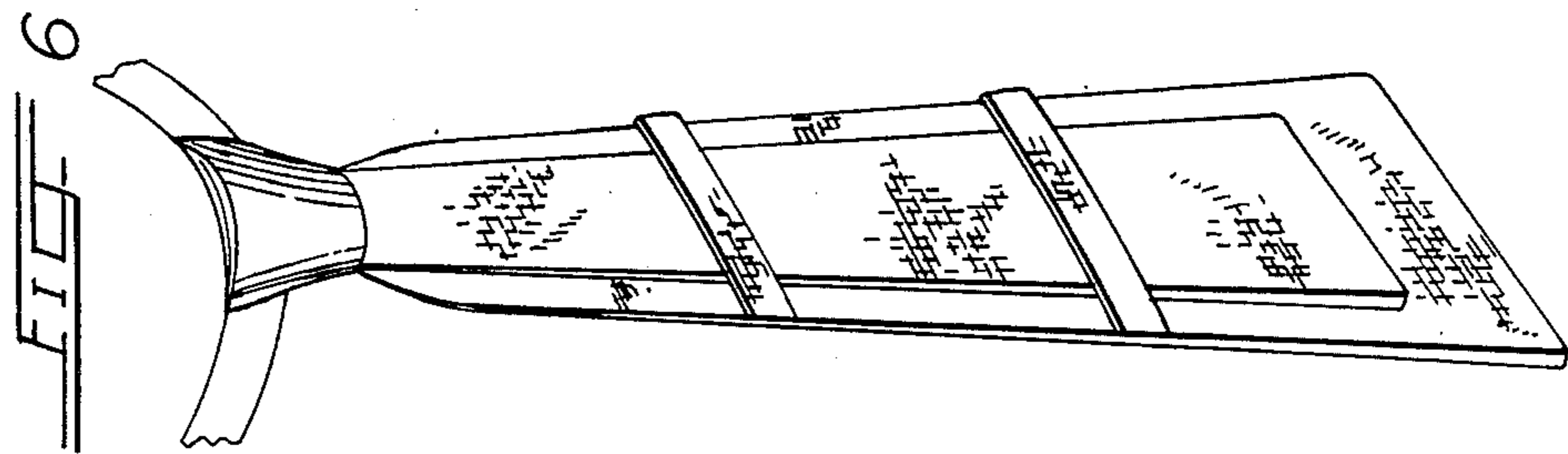
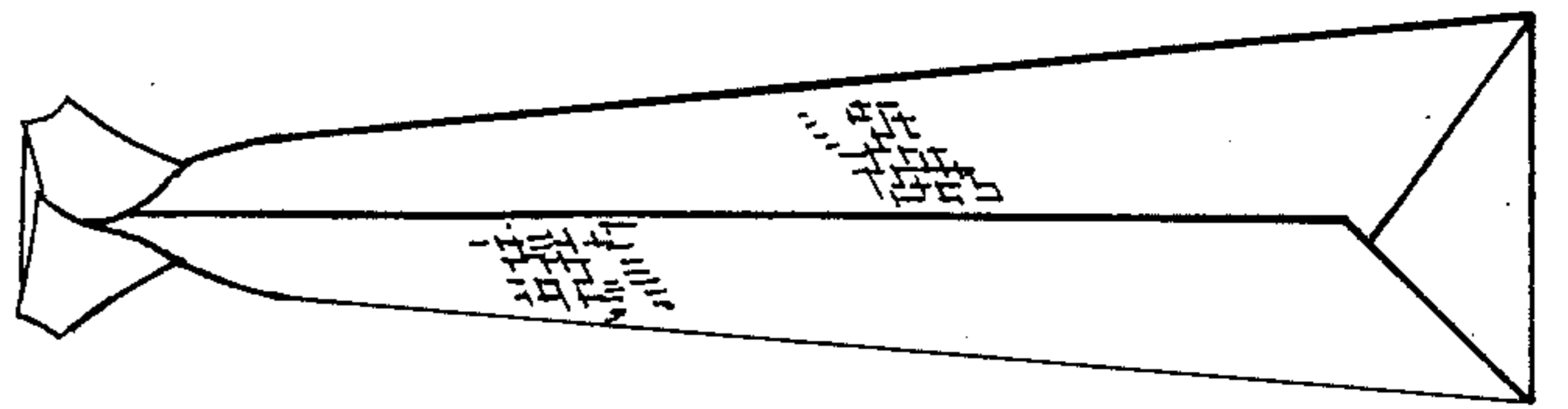
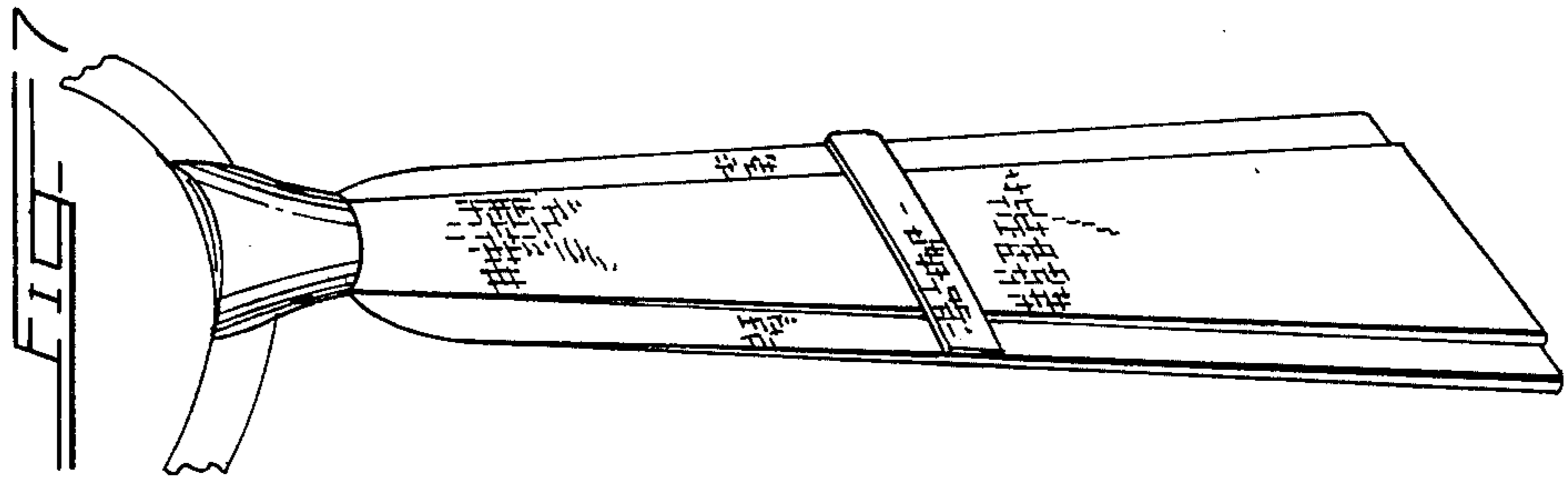
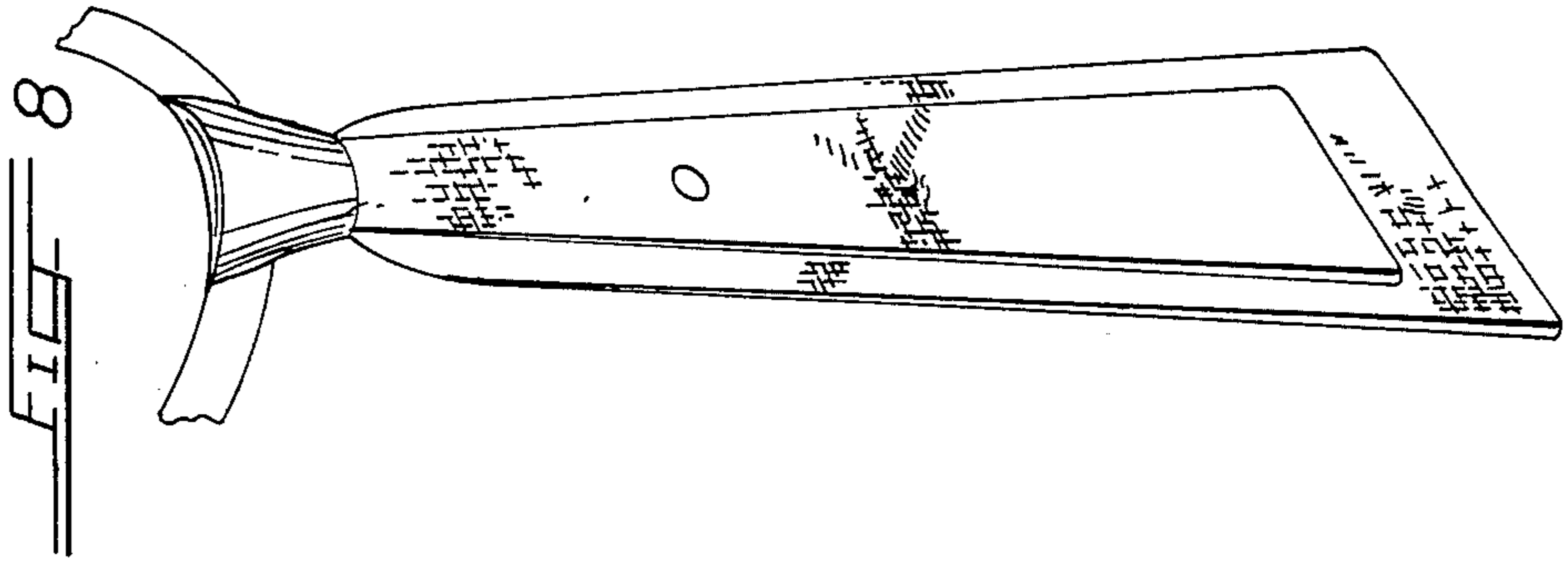


FIG- 13

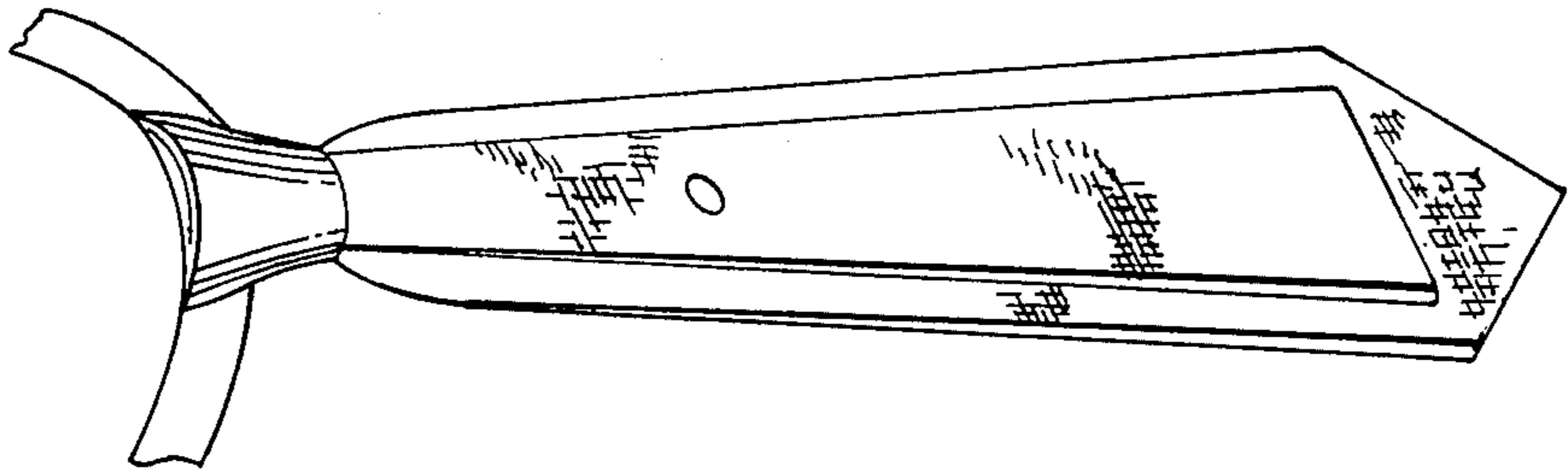


FIG- 12

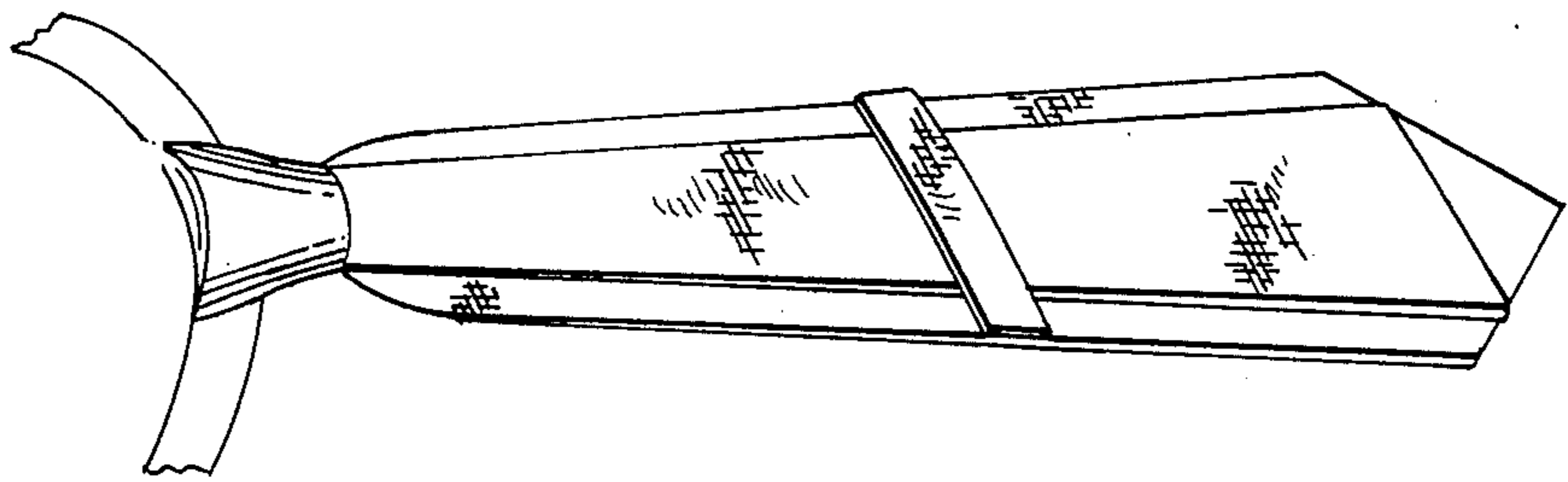


FIG- 11

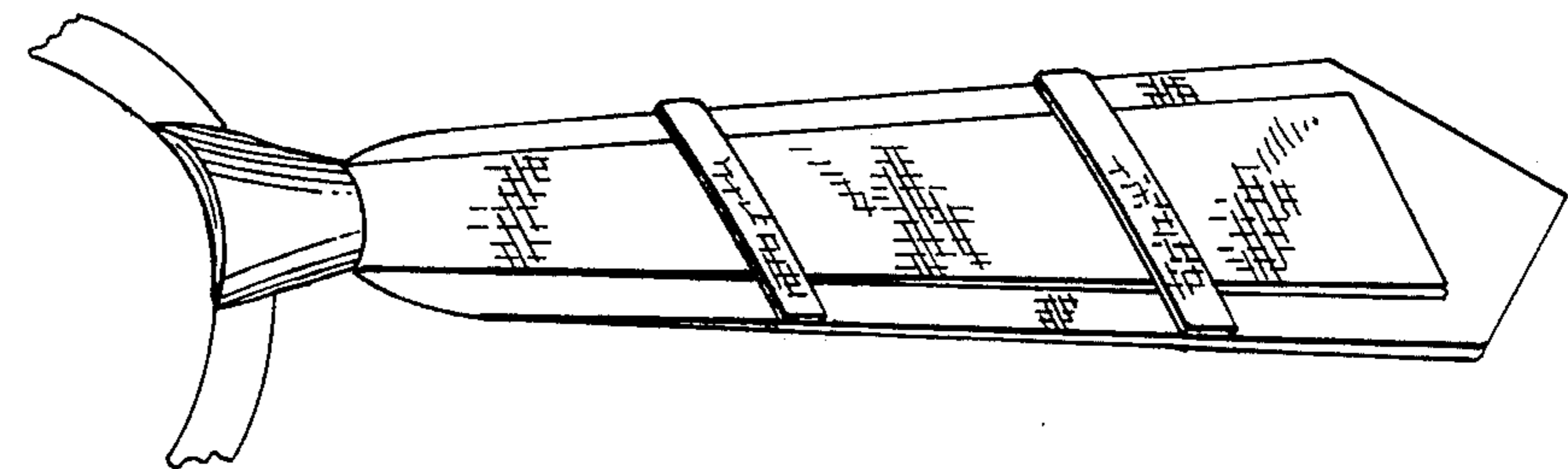


FIG- 10

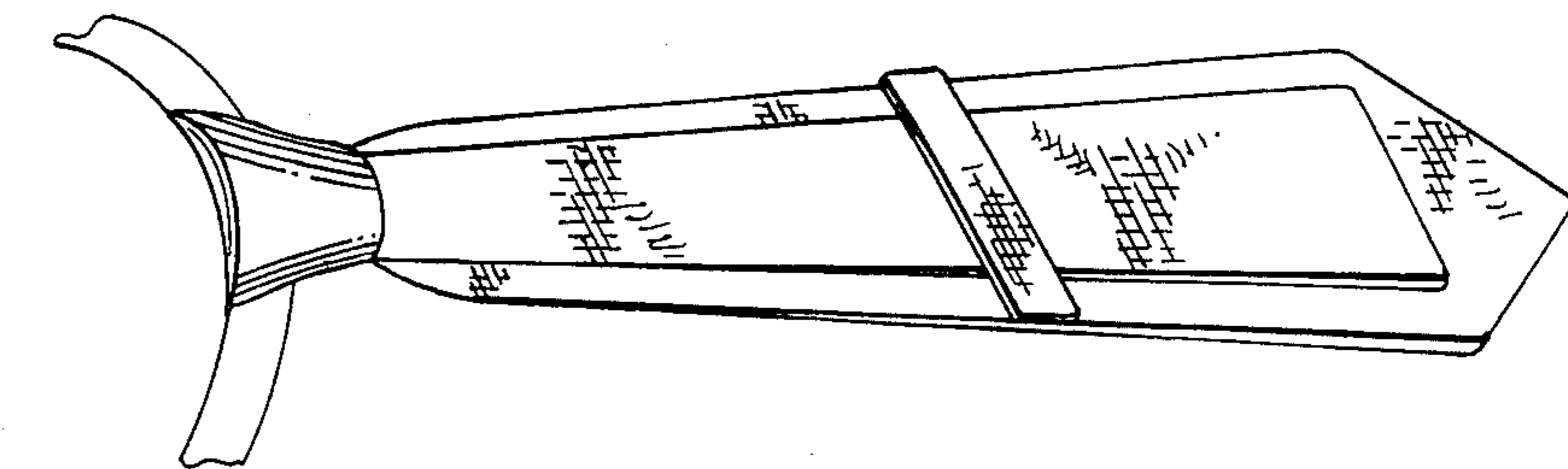


FIG-17

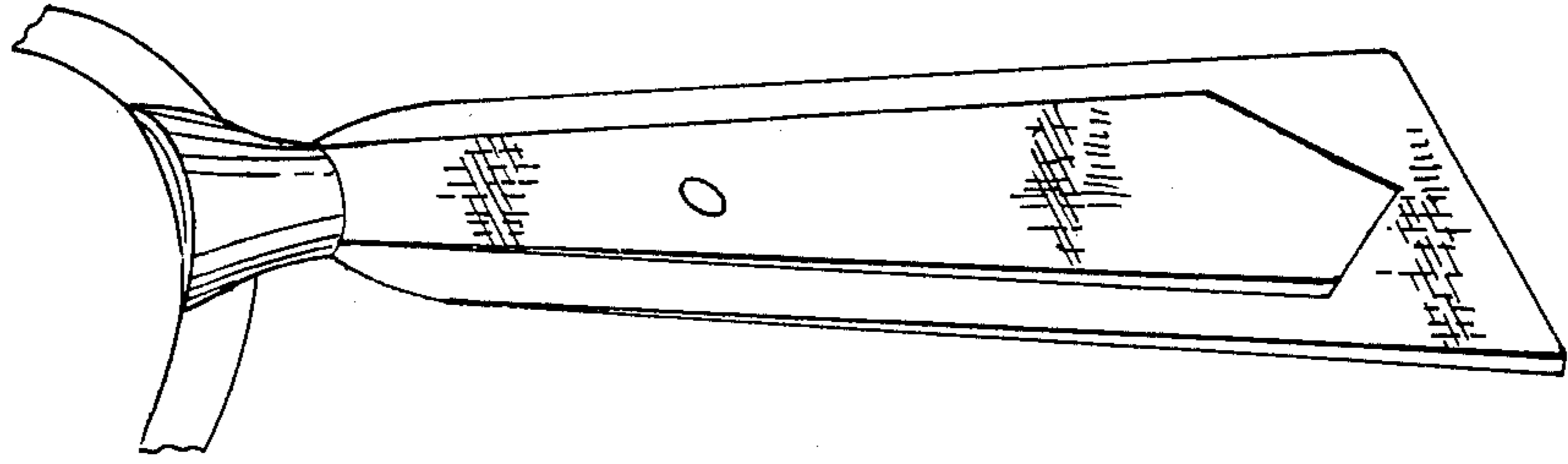


FIG-16

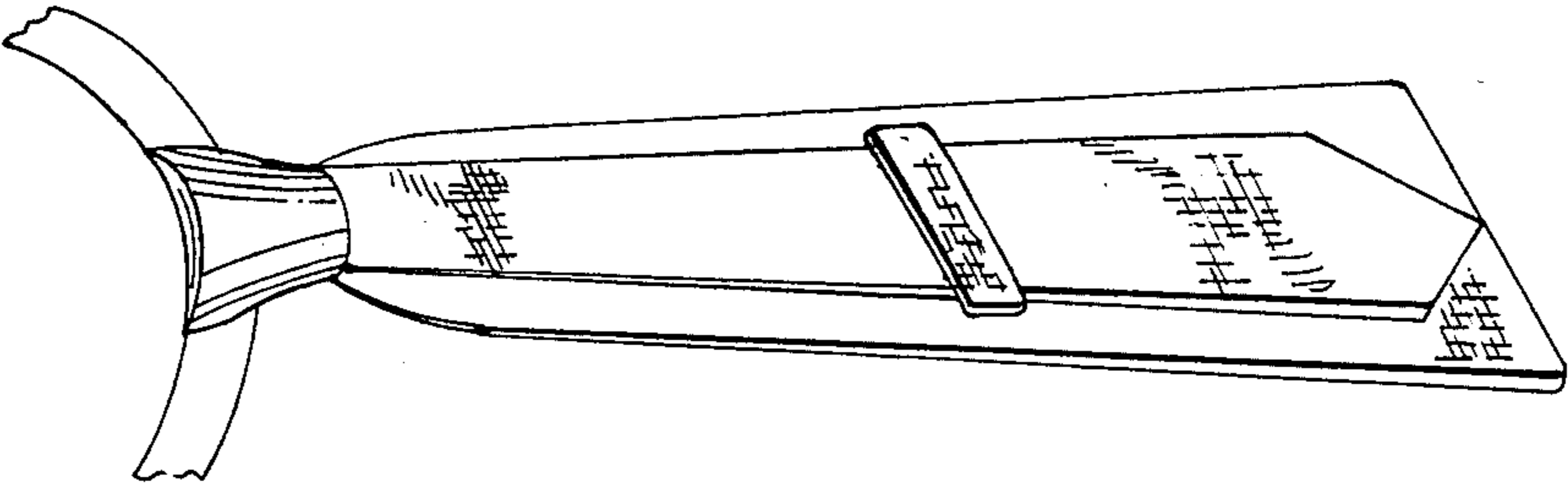


FIG-15

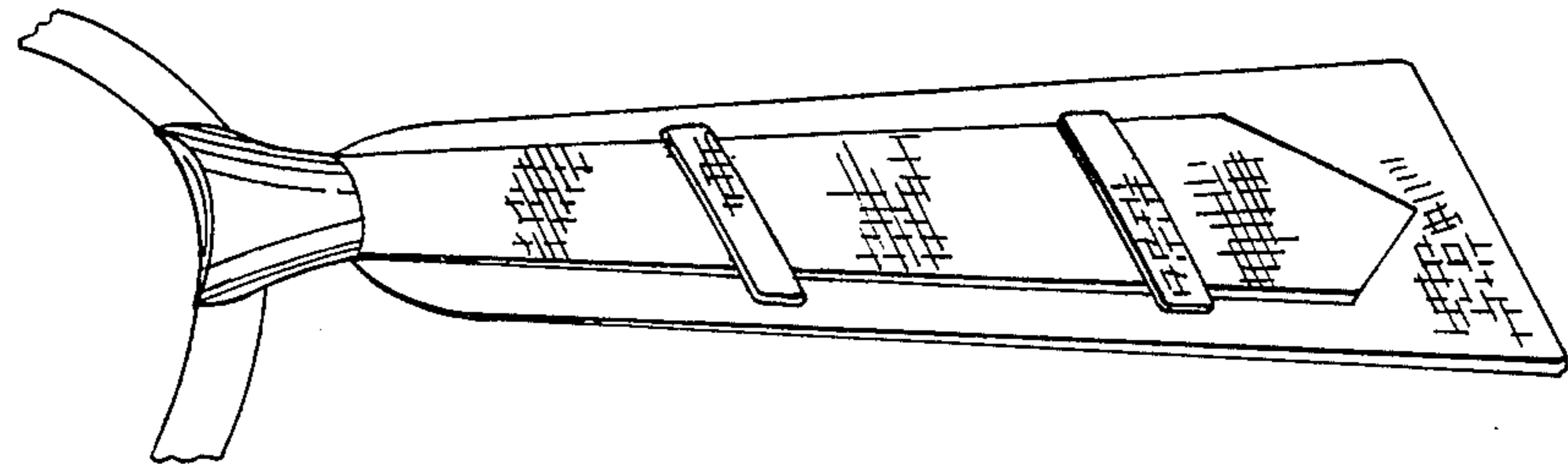


FIG-14

