

[54] ADJUSTABLE HAT BUCKLING BELT

[76] Inventor: Li-Yu Wang, 38, Lane 479, Pei-Tun Road, Taichung City, Taiwan

[\*\*] Term: 14 Years

[21] Appl. No.: 818,586

[22] Filed: Jan. 14, 1986

[52] U.S. Cl. .... D2/261

[58] Field of Search ..... D2/244-248, D2/250, 261, 512-514; 2/175-179, 198-200

[56] References Cited

U.S. PATENT DOCUMENTS

- D. 134,581 12/1942 Karlan ..... D2/261
- D. 263,092 2/1982 Fay ..... D2/514
- 4,481,681 11/1984 Hankin ..... 2/197

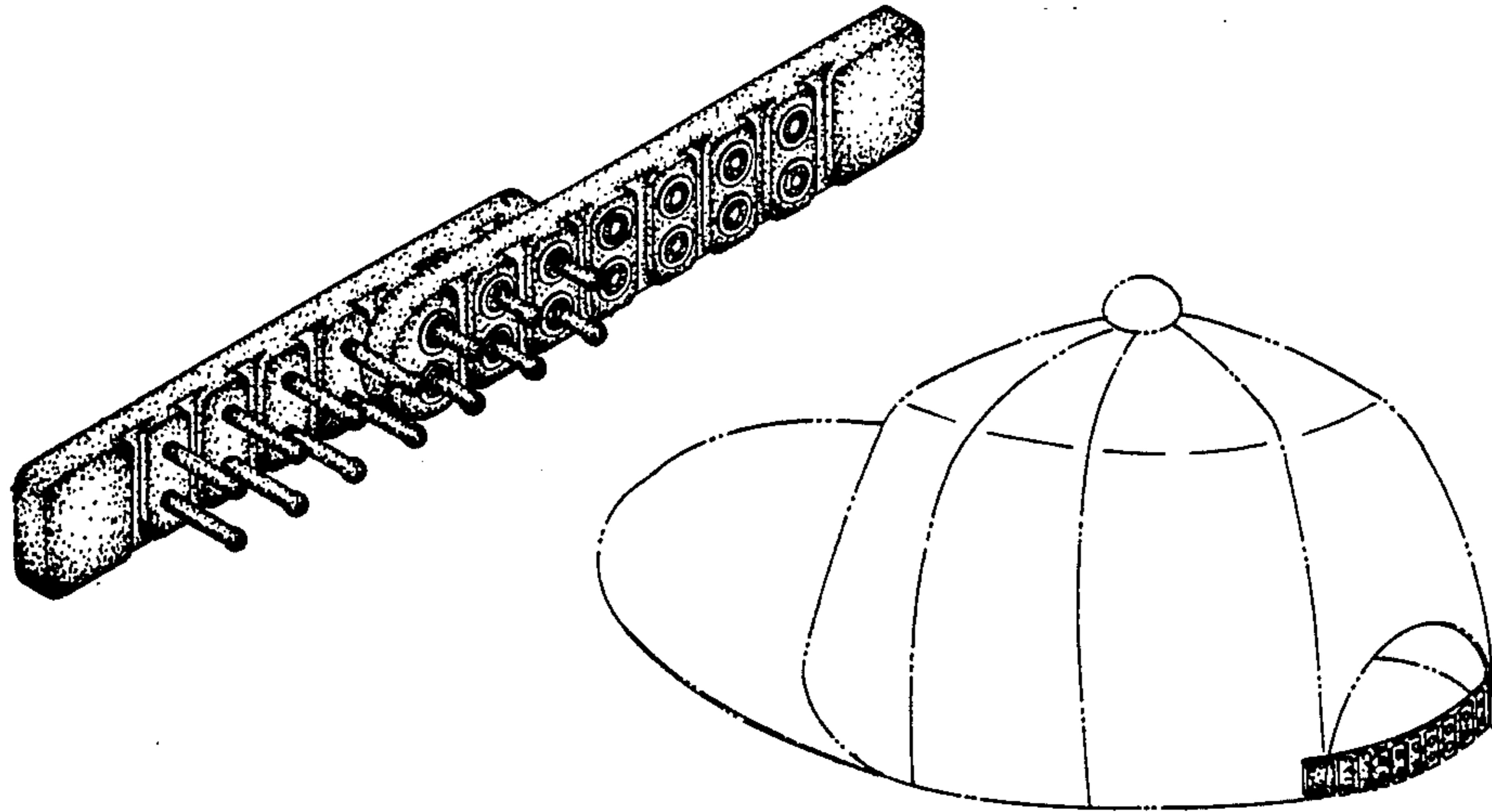
Primary Examiner—Carmen H. Vales  
Attorney, Agent, or Firm—Browdy & Neimark

[57] CLAIM

The ornamental design for an adjustable hat buckling belt, as shown and described.

DESCRIPTION

FIG. 1 is a perspective view of an adjustable hat buckling belt showing my new design.  
 FIG. 2 is a perspective view, the broken line showing of a cap is for environmental purposes and forms no part of the claimed design;  
 FIG. 3 is a front elevational view thereof;  
 FIG. 4 is a rear elevational view thereof;  
 FIG. 5 is a bottom plan view thereof;  
 FIG. 6 is a top plan view thereof;  
 FIG. 7 is a left side elevational view thereof; and  
 FIG. 8 is a right side elevational view thereof.



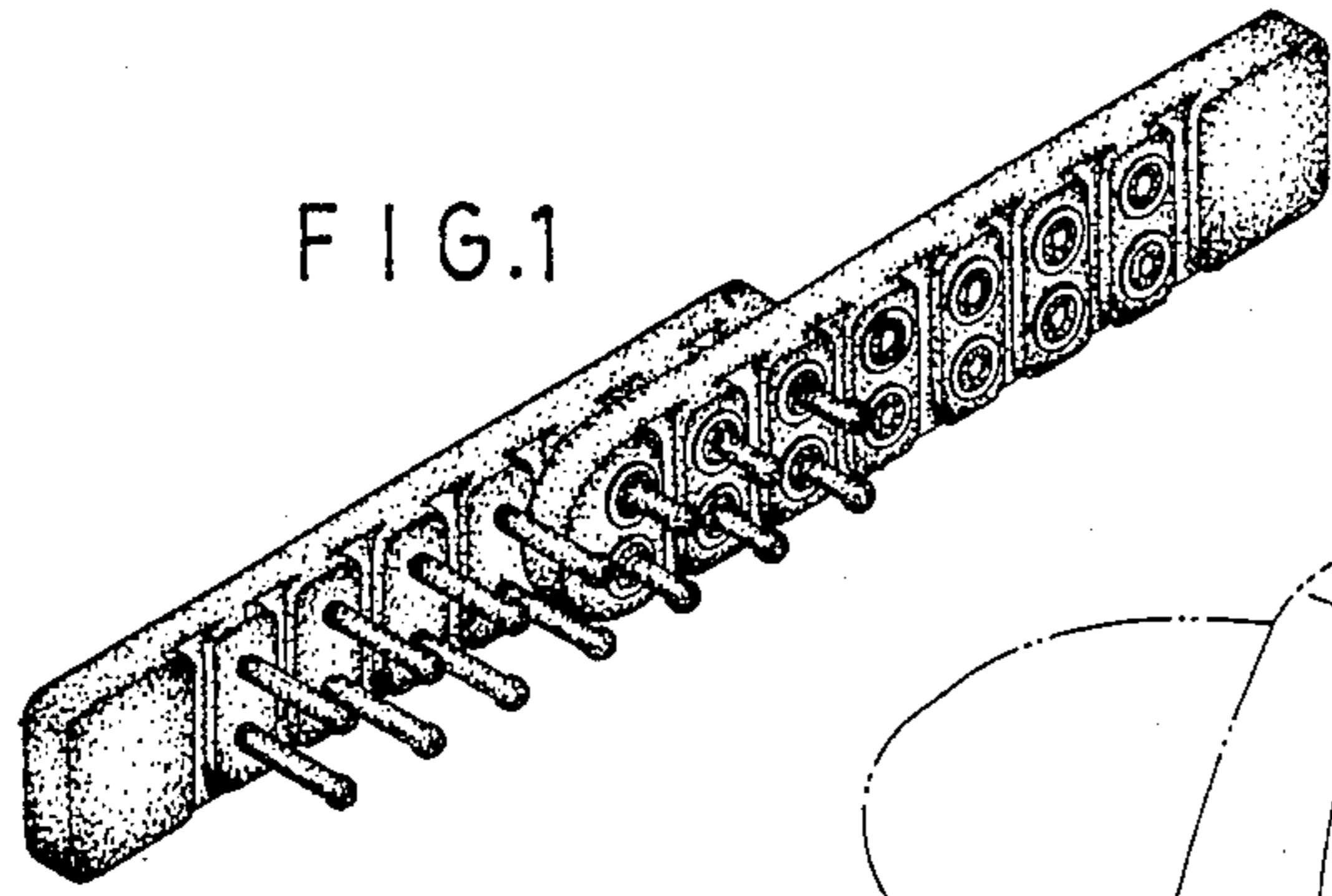


FIG. 1

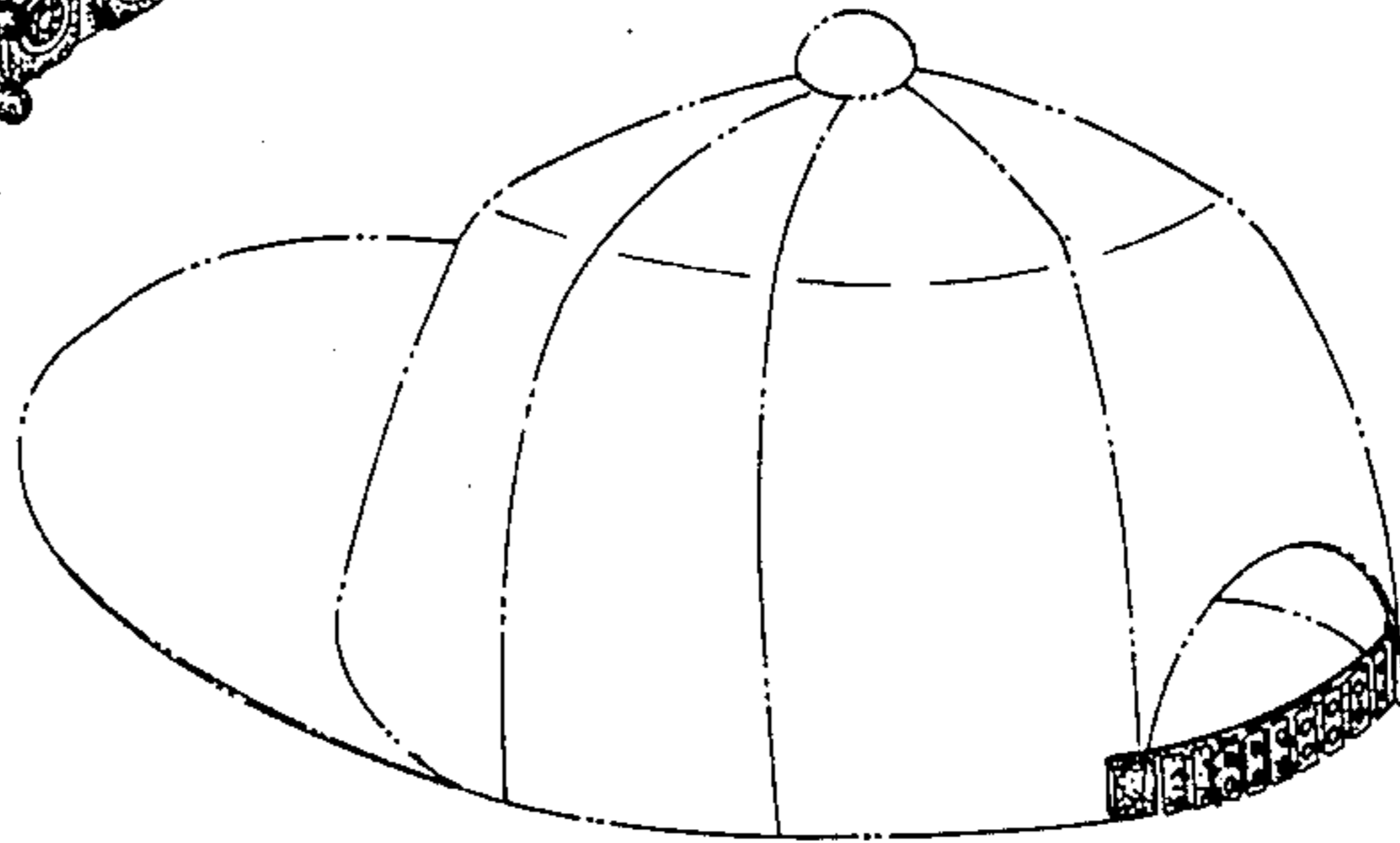


FIG. 2

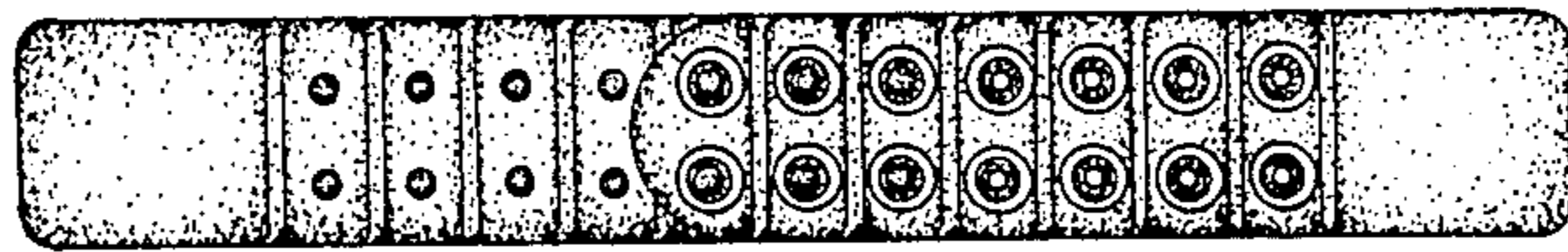


FIG. 3



FIG. 4

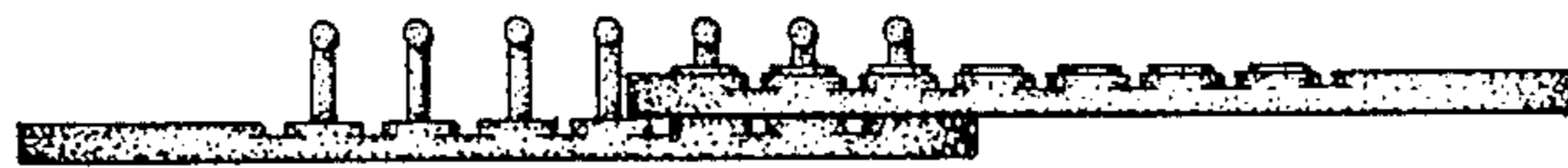


FIG. 5



FIG. 6



FIG. 7



FIG. 8