

# United States Patent [19]

Haggerty et al.

[11] Patent Number: **Des. 299,379**

[45] Date of Patent: **\*\* Jan. 10, 1989**

[54] **AIR VALVE CLOSURE FOR INFLATABLE ARTICLE**

[76] Inventors: **Peter D. Haggerty**, 3233 23rd Ave., W., Seattle, Wash. 98199; **Eric L. Rayl**, 7625 S. Laurel St., Seattle, Wash. 98178

[\*\*] Term: **14 Years**

[21] Appl. No.: **729,677**

[22] Filed: **May 2, 1985**

[52] U.S. Cl. .... **D23/249**

[58] Field of Search ..... **D23/233-237, D23/244-249; D21/84; D6/604-606; 5/449; 171/382; 137/223, 625.31, 625.32**

[56] **References Cited**

**U.S. PATENT DOCUMENTS**

D. 275,596 9/1984 Gabrielson et al. .... D23/247  
D. 276,299 11/1984 Reardon ..... D23/245  
D. 284,725 7/1986 Stuckey ..... D6/604  
D. 285,716 9/1986 Bova ..... D23/233

2,701,579 2/1955 Hasselquist ..... 137/223  
2,772,692 12/1956 Russell ..... 137/223  
2,887,120 5/1959 De See ..... 137/223  
2,942,614 6/1960 Lardner ..... 137/223  
2,977,973 4/1961 Chakine ..... 137/223  
4,579,141 4/1986 Arff ..... 137/223  
4,673,010 6/1987 Pruffer ..... 141/382

*Primary Examiner*—James R. Largen

[57] **CLAIM**

The ornamental design for an air valve closure for inflatable article, substantially as shown and described.

**DESCRIPTION**

FIG. 1 is an isometric view of an air valve for an inflatable member showing our new design;

FIG. 2 is a top plan view thereof;

FIG. 3 is a side elevational view thereof, the other sides being as the side shown; and

FIG. 4 is a bottom plan view thereof.

The fragmentary broken line representation of an inflatable mattress in FIG. 1 is for purposes of illustration only and forms no part of the claimed design.

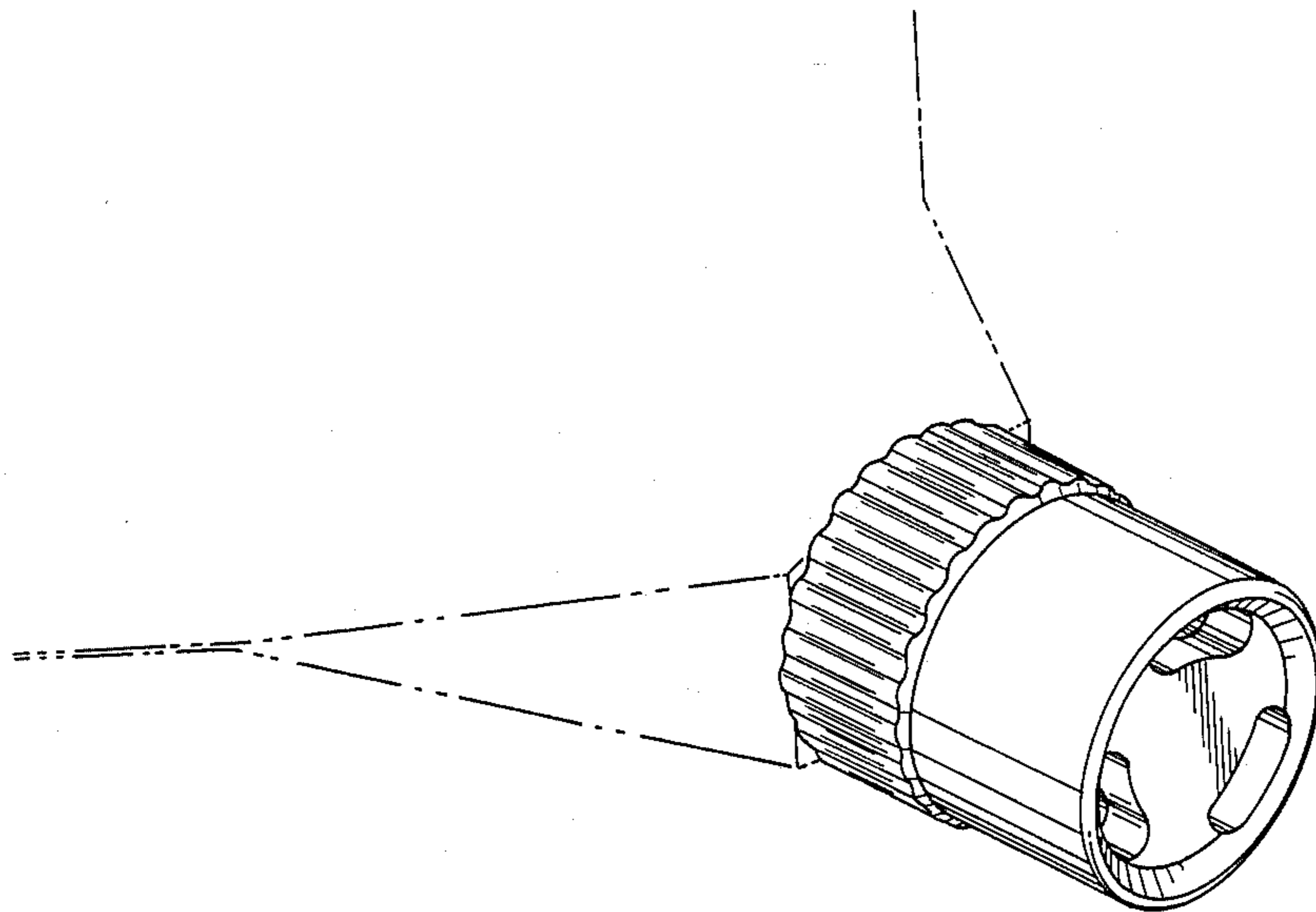


FIG.1

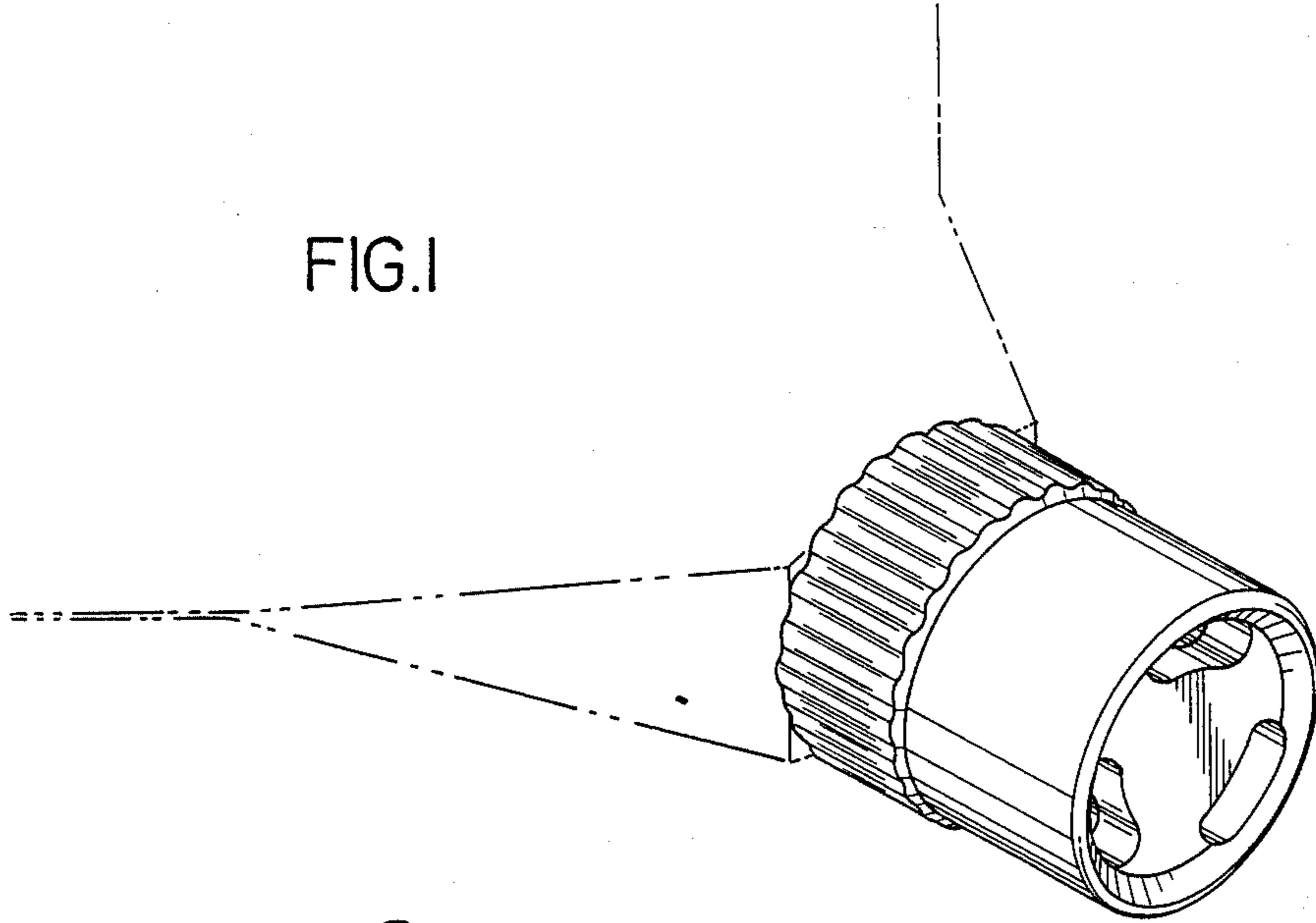


FIG.2

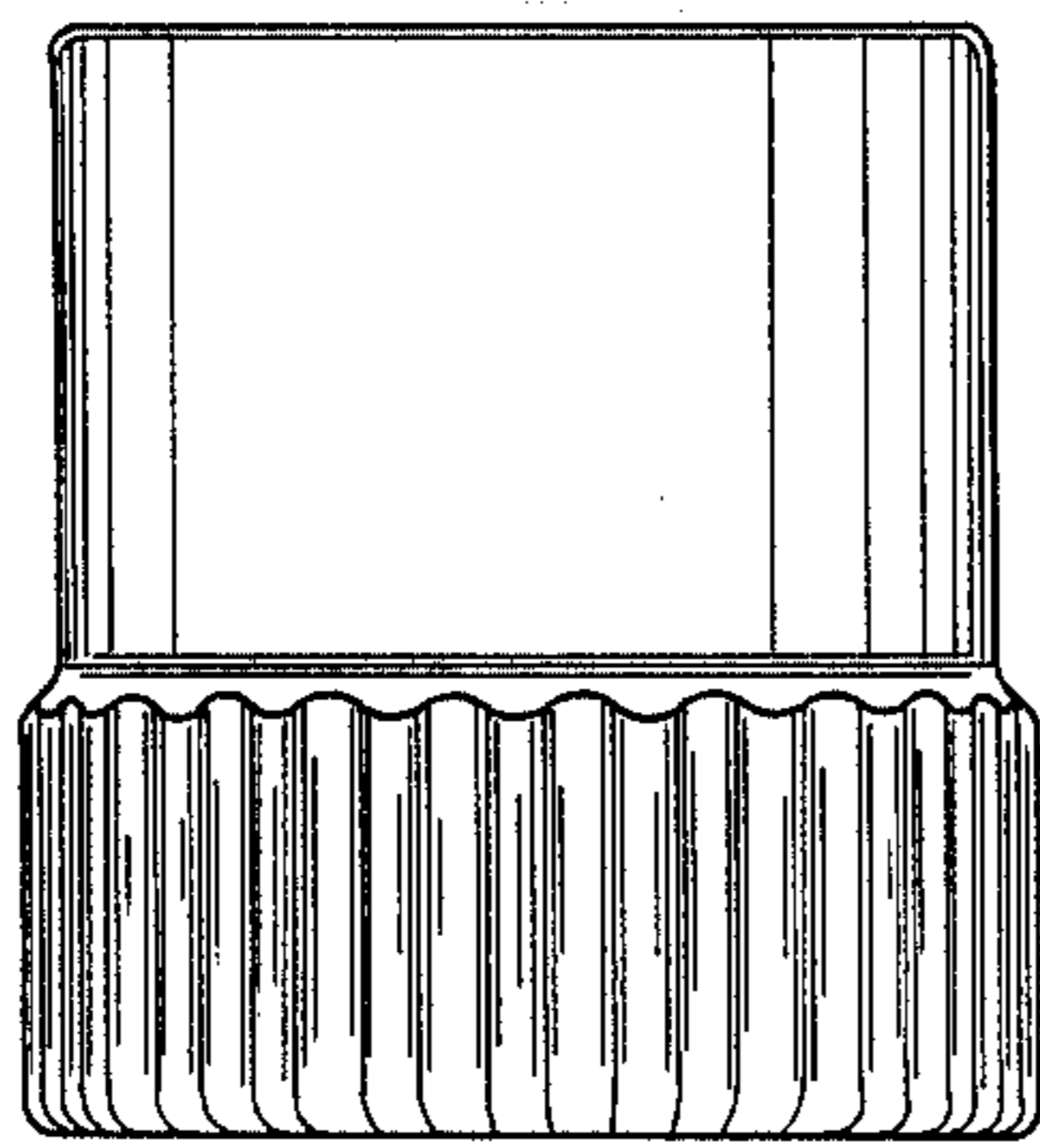
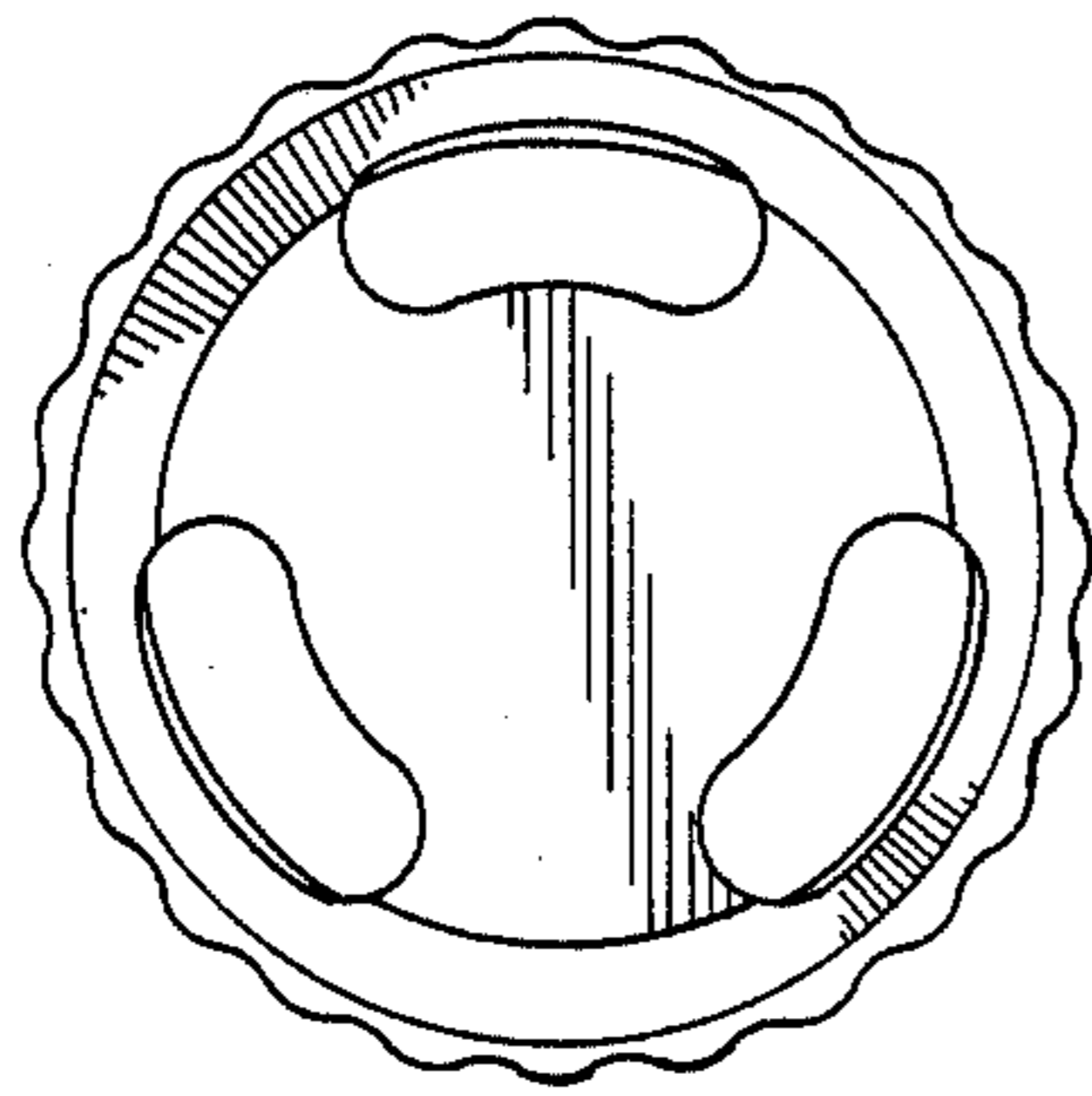


FIG.3

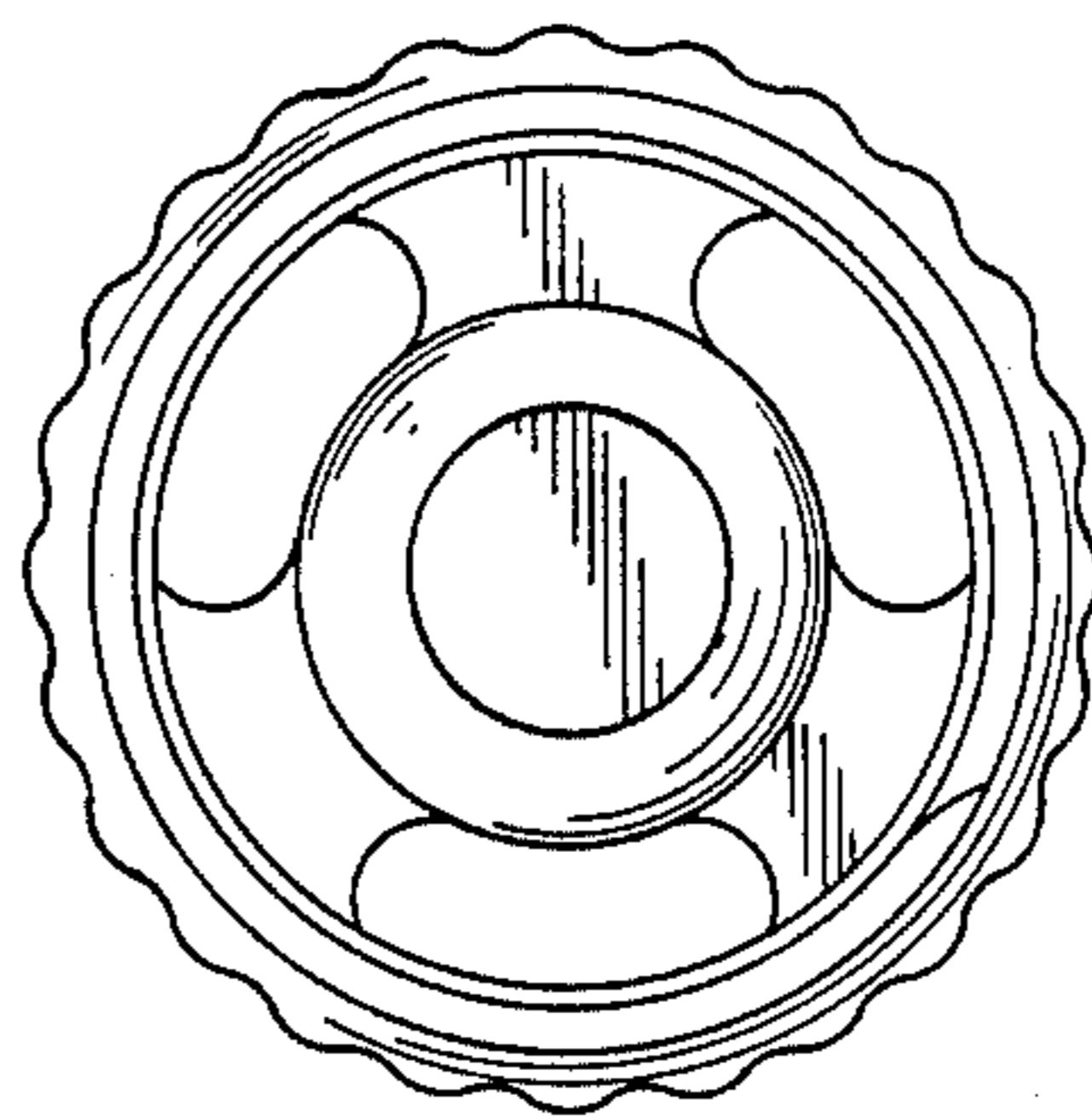


FIG.4