

[54] MINNOW BUCKET

[75] Inventor: Jeffery G. Martin, Kettering, Ohio

[73] Assignee: Frabill, Inc., Jackson, Wis.

[**] Term: 14 Years

[21] Appl. No.: 858,278

[22] Filed: Apr. 29, 1986

[52] U.S. Cl. D22/136

[58] Field of Search D22/134, 135, 136;
43/55, 56; 224/520

[56] References Cited

U.S. PATENT DOCUMENTS

D. 266,183 9/1982 Snow D22/136

Primary Examiner—A. Hugo Word

Attorney, Agent, or Firm—Foley & Lardner

[57] CLAIM

The ornamental design for a minnow bucket, as shown and described.

DESCRIPTION

FIG. 1 is a perspective view of the minnow bucket embodying my new design, showing an outer bucket having an inner bucket inserted therein;

FIG. 2 is a front, elevational view of the minnow bucket shown in FIG. 1;

FIG. 3 is a rear, elevational view of the minnow bucket shown in FIG. 1;

FIG. 4 is a top, plan view of the minnow bucket shown in FIG. 1;

FIG. 5 is a bottom, plan view of the minnow bucket shown in FIG. 1;

FIG. 6 is a perspective view of the outer bucket shown in FIGS. 1 through 5;

FIG. 7 is a front, elevational view of the outer bucket shown in FIG. 6;

FIG. 8 is a rear, elevational view of the outer bucket shown in FIG. 6;

FIG. 9 is a top, plan view of the outer bucket shown in FIG. 6;

FIG. 10 is a bottom, plan view of the outer bucket shown in FIG. 6;

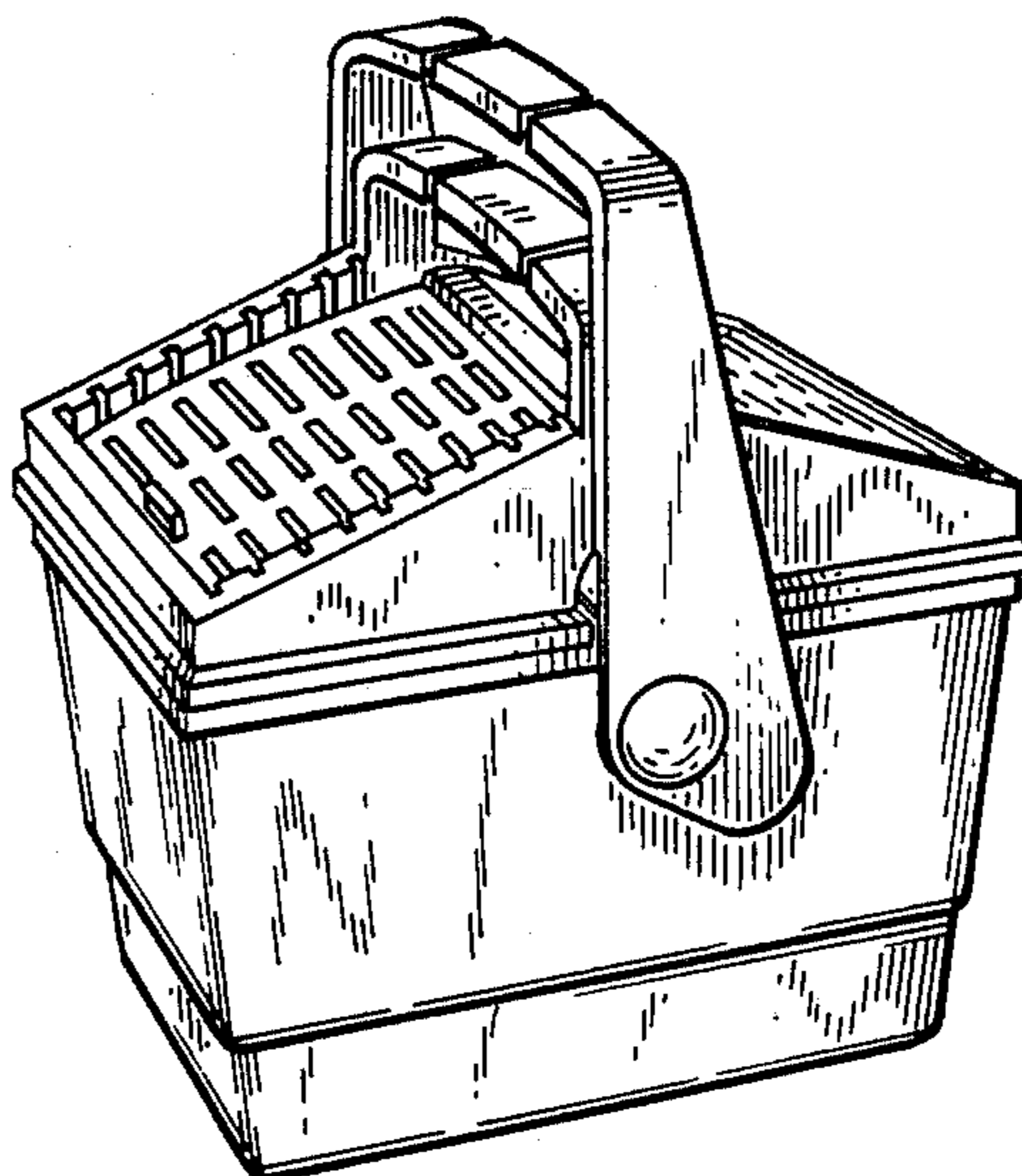
FIG. 11 is a perspective view of the inner bucket shown in FIGS. 1 through 5;

FIG. 12 is a front, elevational view of the inner bucket shown in FIG. 11;

FIG. 13 is a rear, elevational view of the inner bucket shown in FIG. 11;

FIG. 14 is a top, plan view of the inner bucket shown in FIG. 11; and

FIG. 15 is a bottom, plan view of the inner bucket shown in FIG. 11.



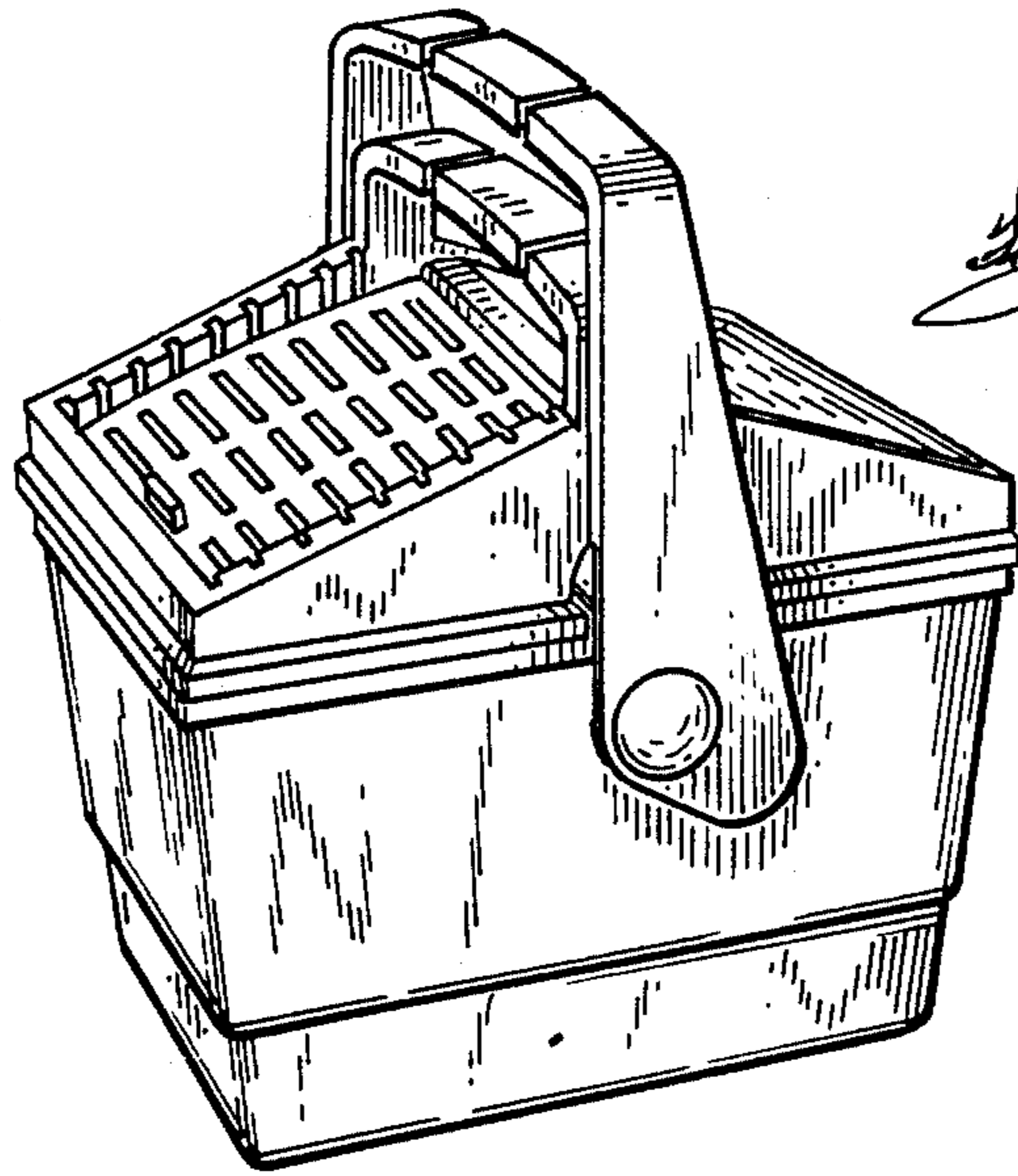


Fig. 2

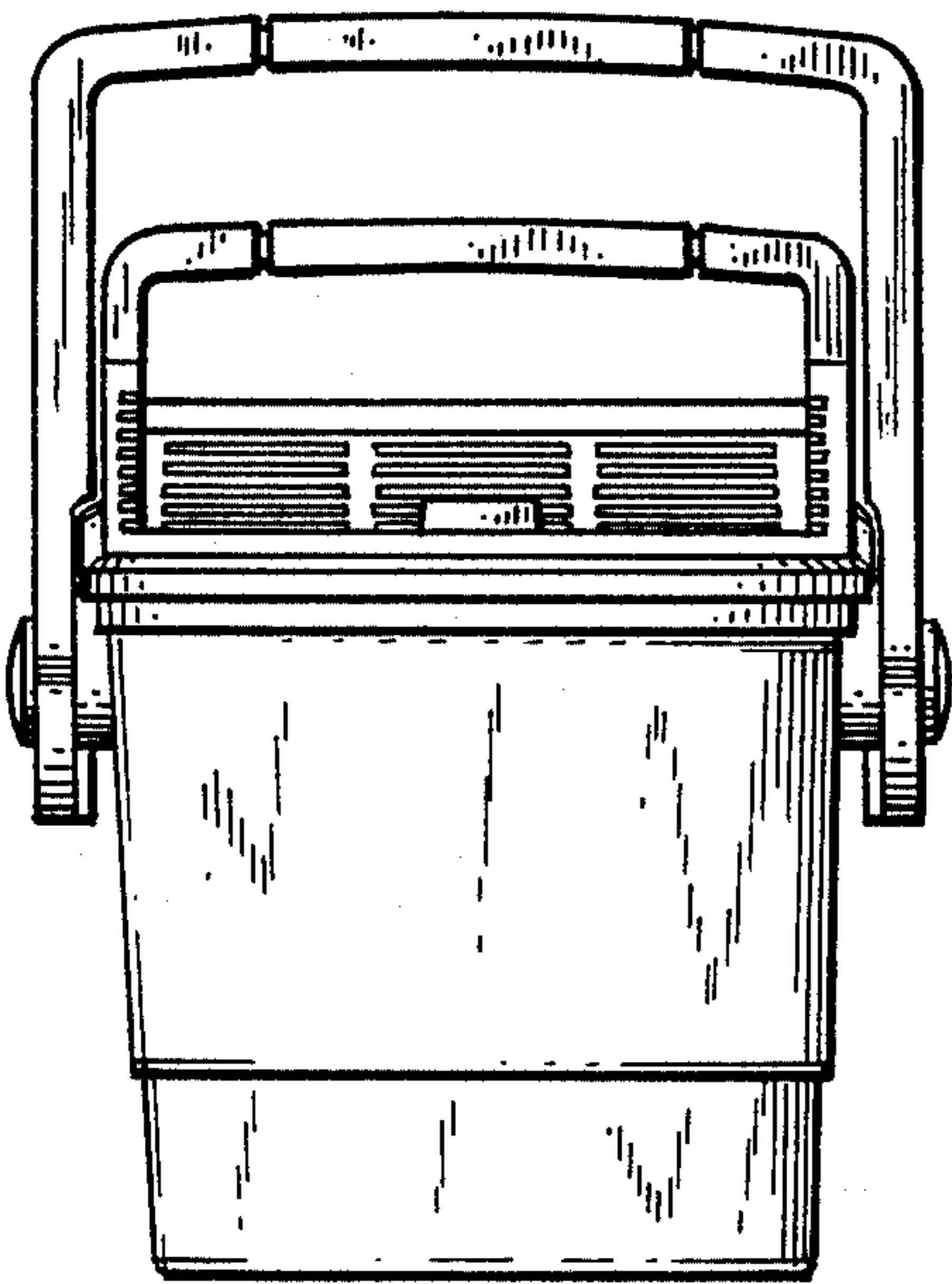


Fig. 3

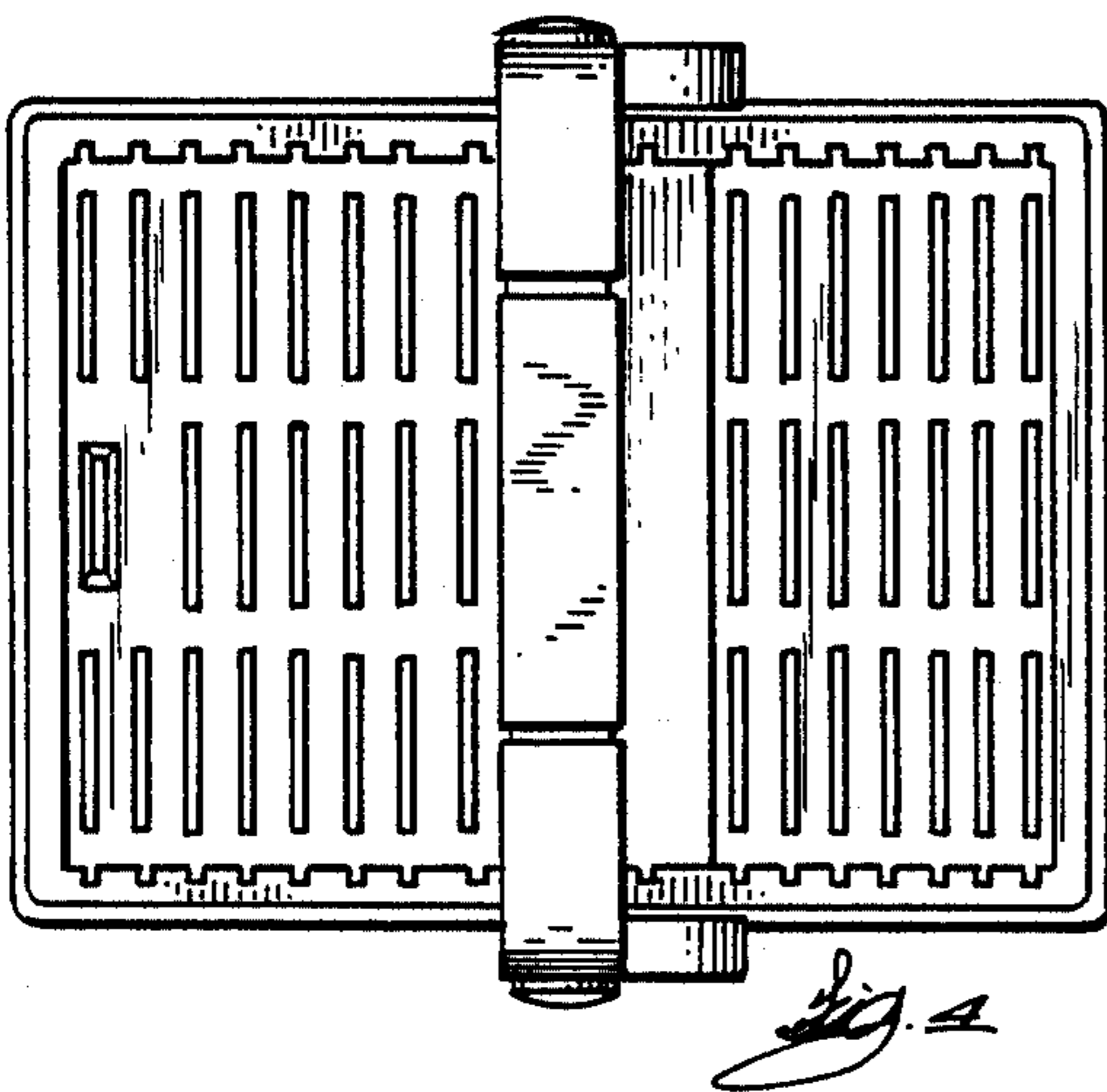
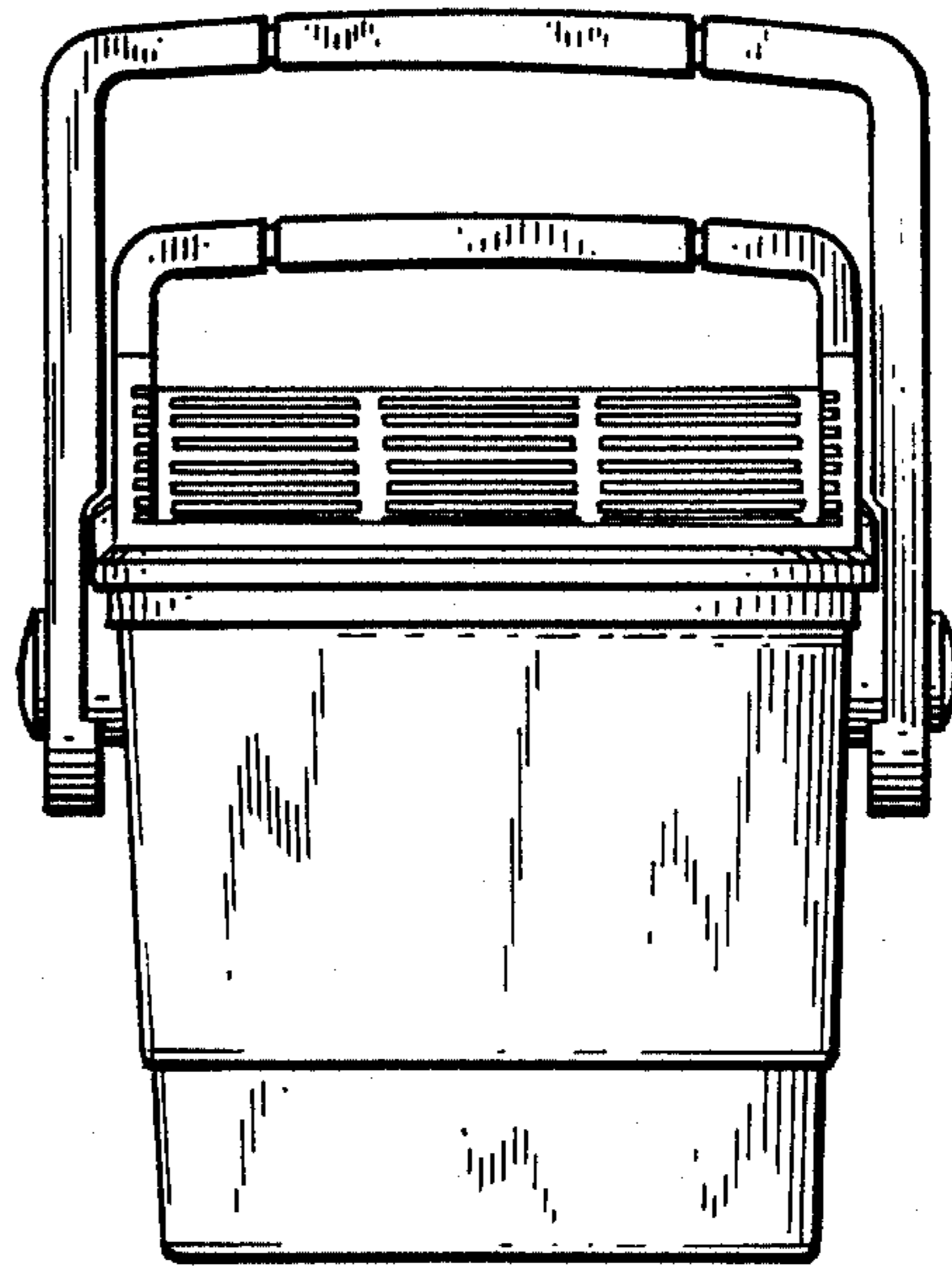


Fig. 4

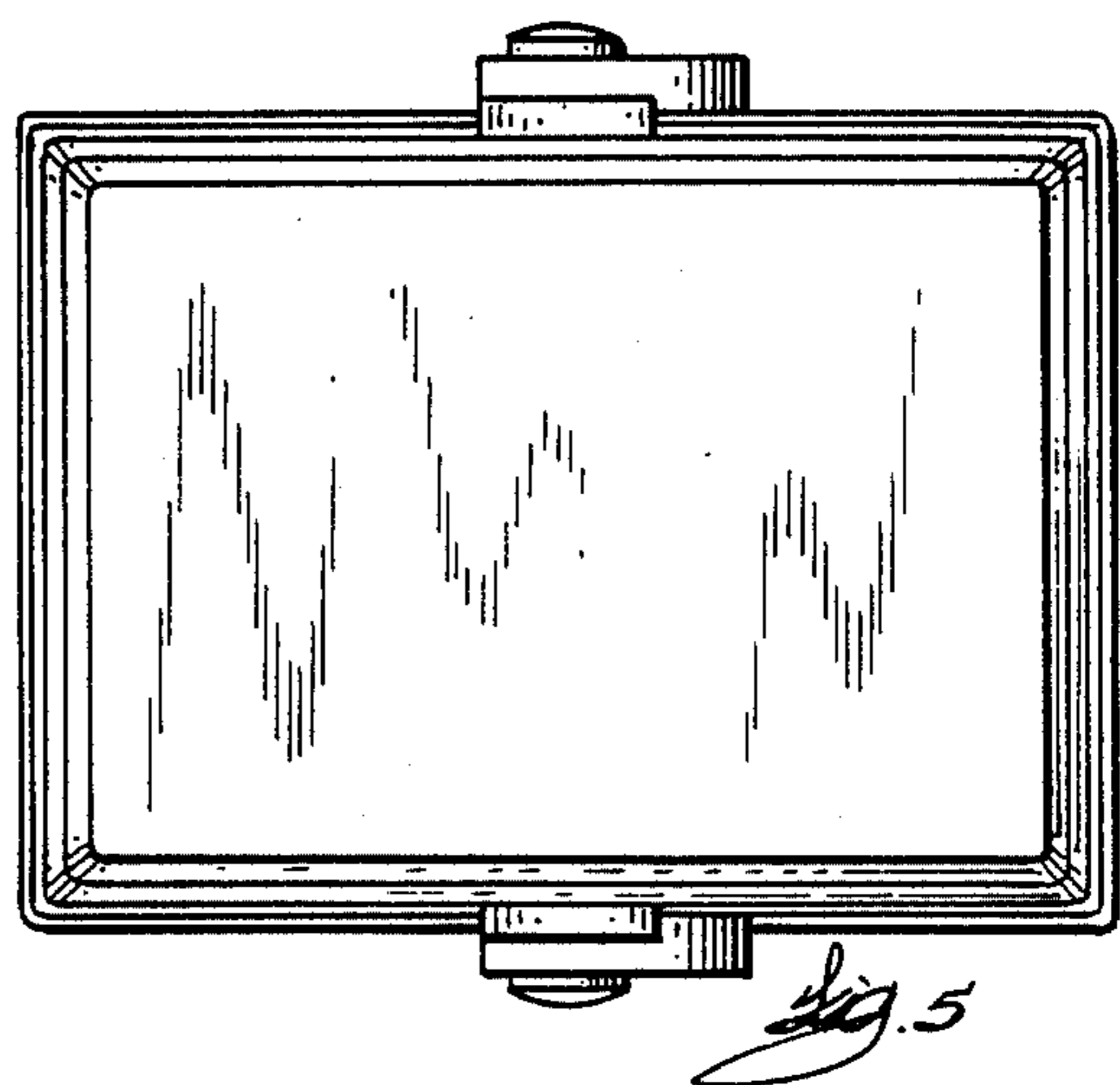


Fig. 5

Fig. 6

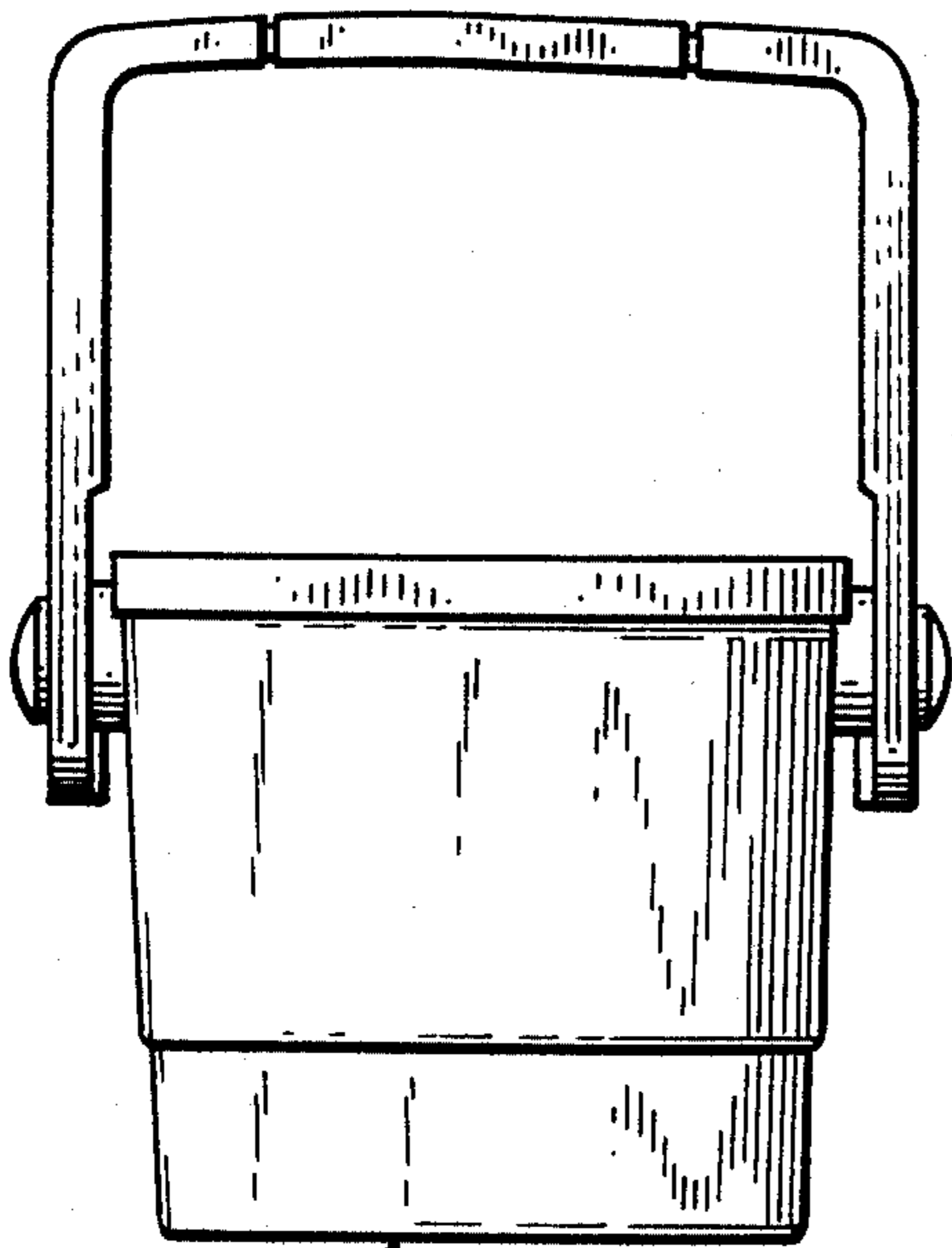
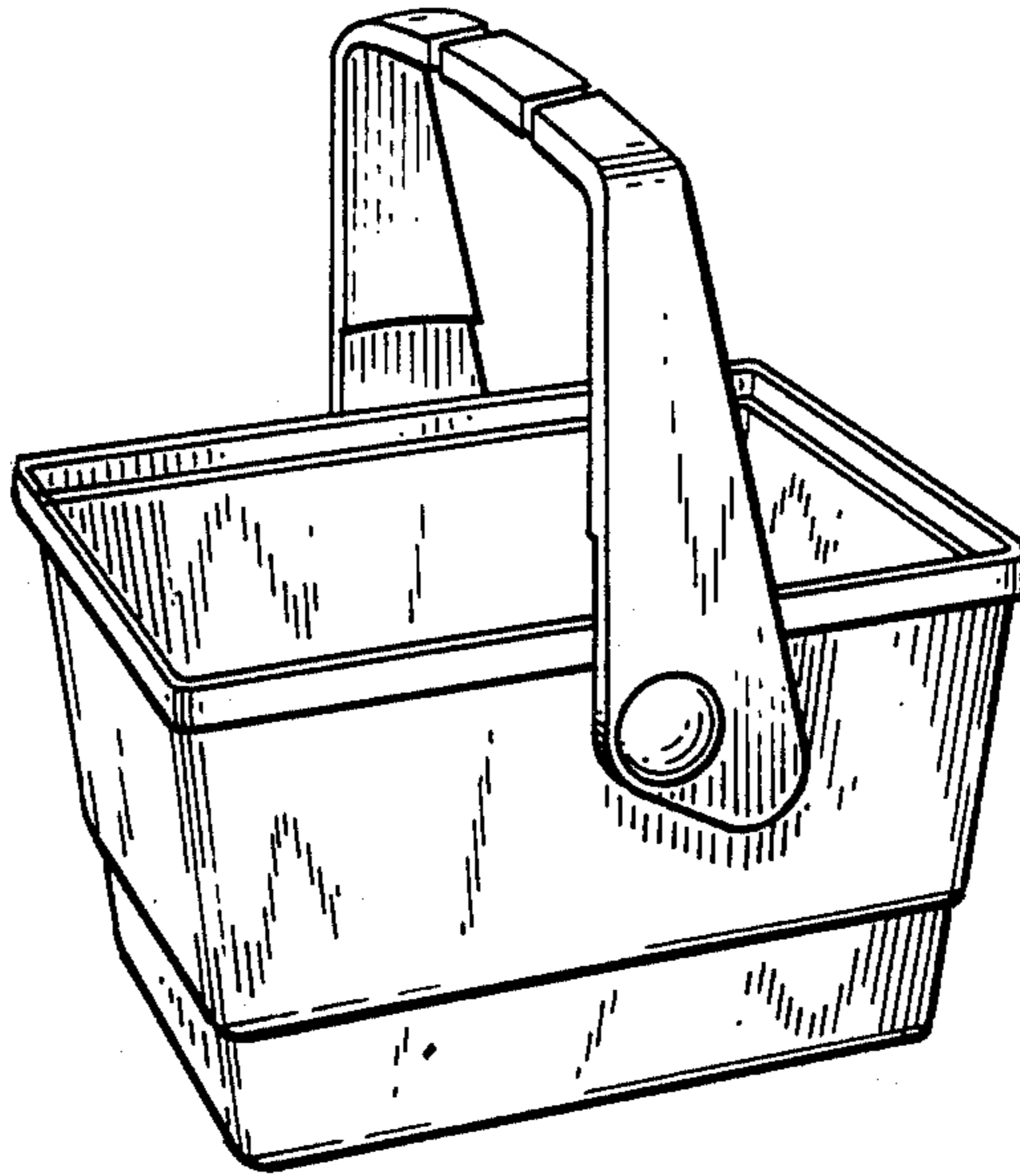


Fig. 7

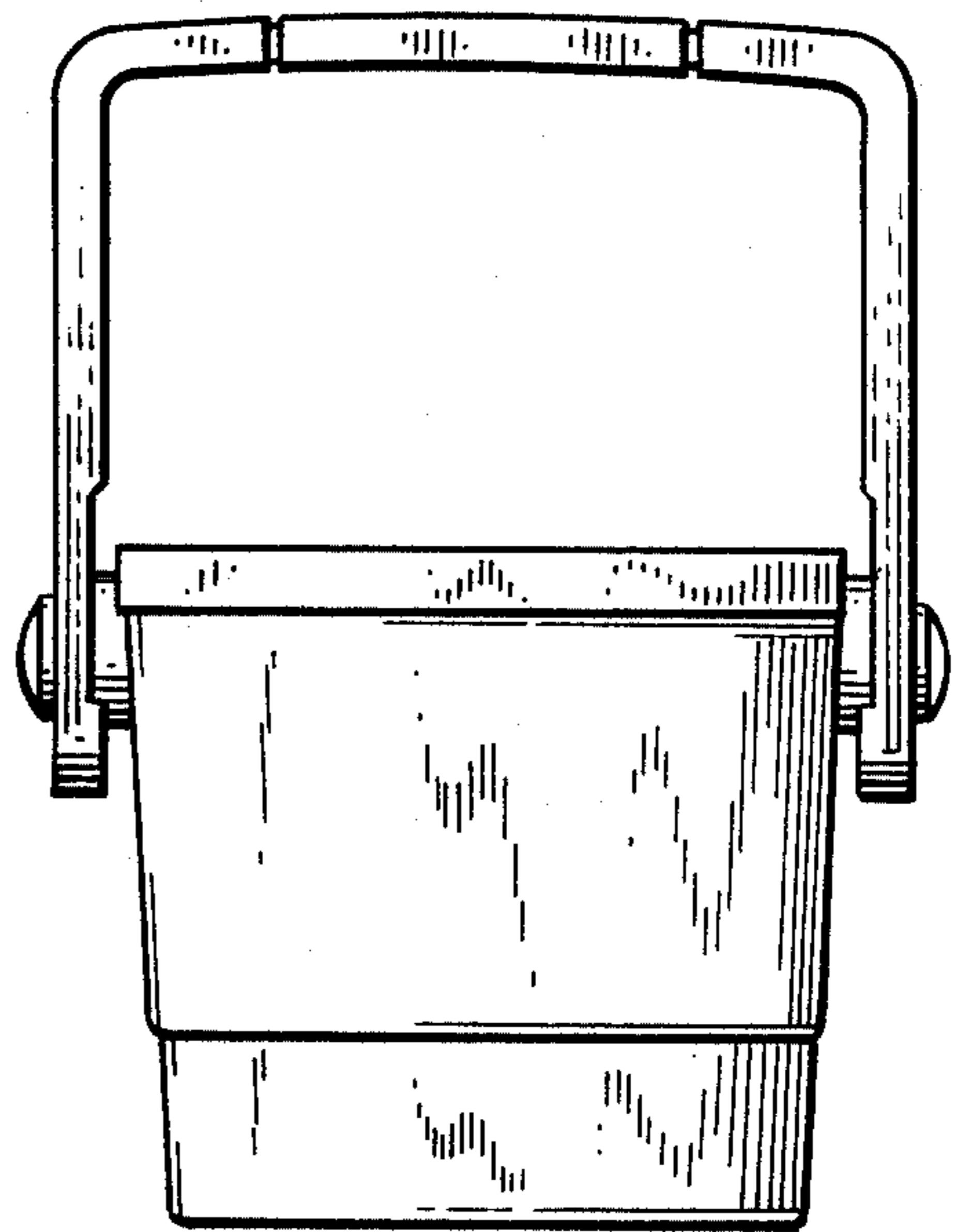


Fig. 8

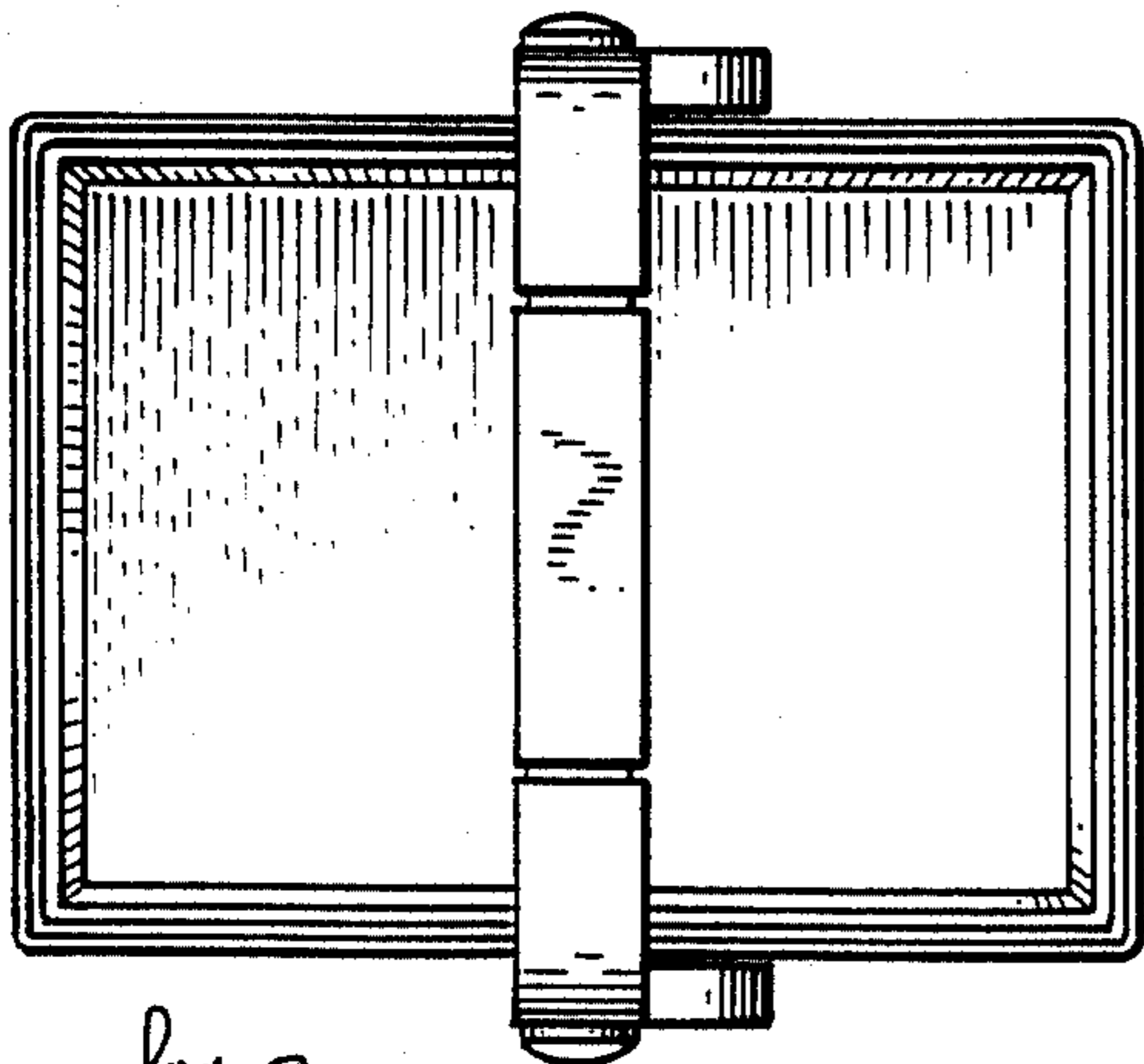


Fig. 9

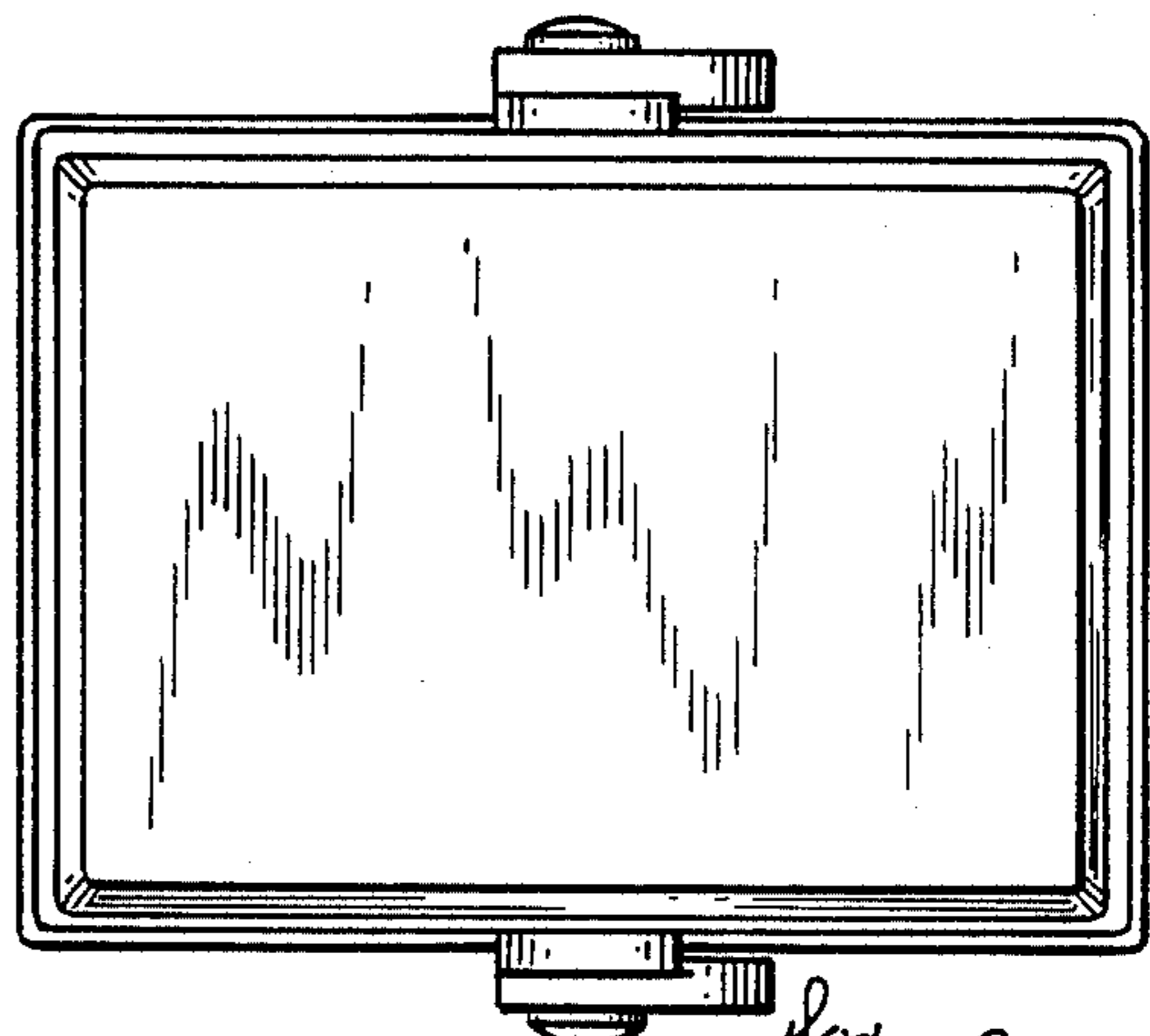


Fig. 10

