

United States Patent [19]

Garcia

[11] Patent Number: **Des. 299,377**

[45] Date of Patent: **** Jan. 10, 1989**

[54] **FISHING ROD LIGHT**

[76] Inventor: **Jose A. M. Garcia, 414 E. Hickory St., Midland, Tex. 79701**

[**] Term: **14 Years**

[21] Appl. No.: **878,477**

[22] Filed: **Jun. 25, 1986**

[52] U.S. Cl. **D22/134; D26/37**

[58] Field of Search **D22/148, 134; D26/37, D26/38**

[56] **References Cited**

U.S. PATENT DOCUMENTS

D. 217,663 5/1970 Chamberlain D22/134

D. 270,366 8/1983 Barnes D22/148
D. 294,065 2/1988 Wan D26/38
2,603,900 7/1952 Kellett D22/148 X

Primary Examiner—A. Hugo Word
Attorney, Agent, or Firm—Terry M. Gernstein

[57] **CLAIM**

The ornamental design for a fishing rod light, as shown and described.

DESCRIPTION

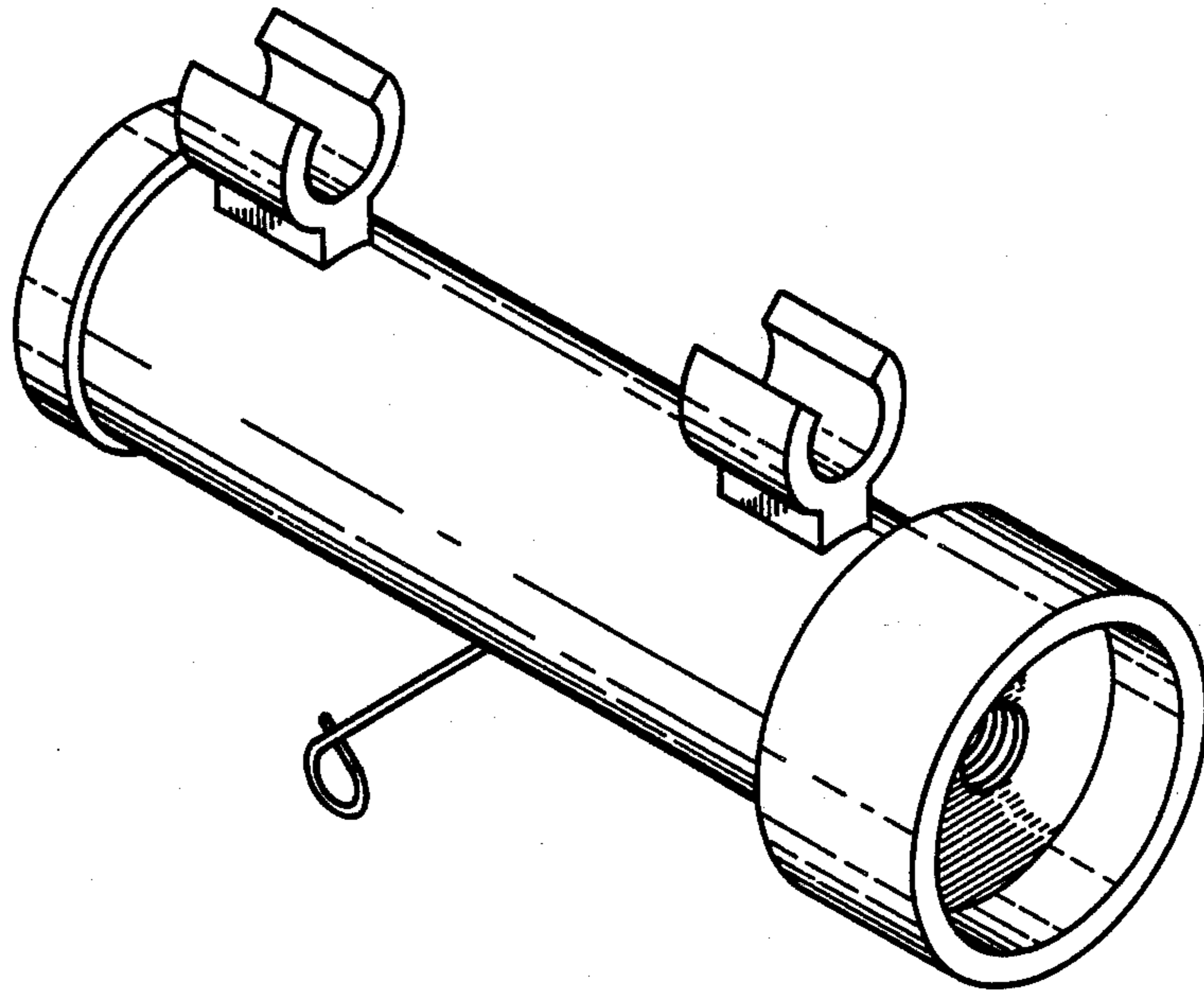
FIG. 1 is a perspective view of a fishing rod light showing my new design.

FIG. 2 is a side elevational view thereof.

FIG. 3 is a bottom plan view thereof.

FIG. 4 is a right end elevational view thereof.

FIG. 5 is a left hand elevational view thereof.



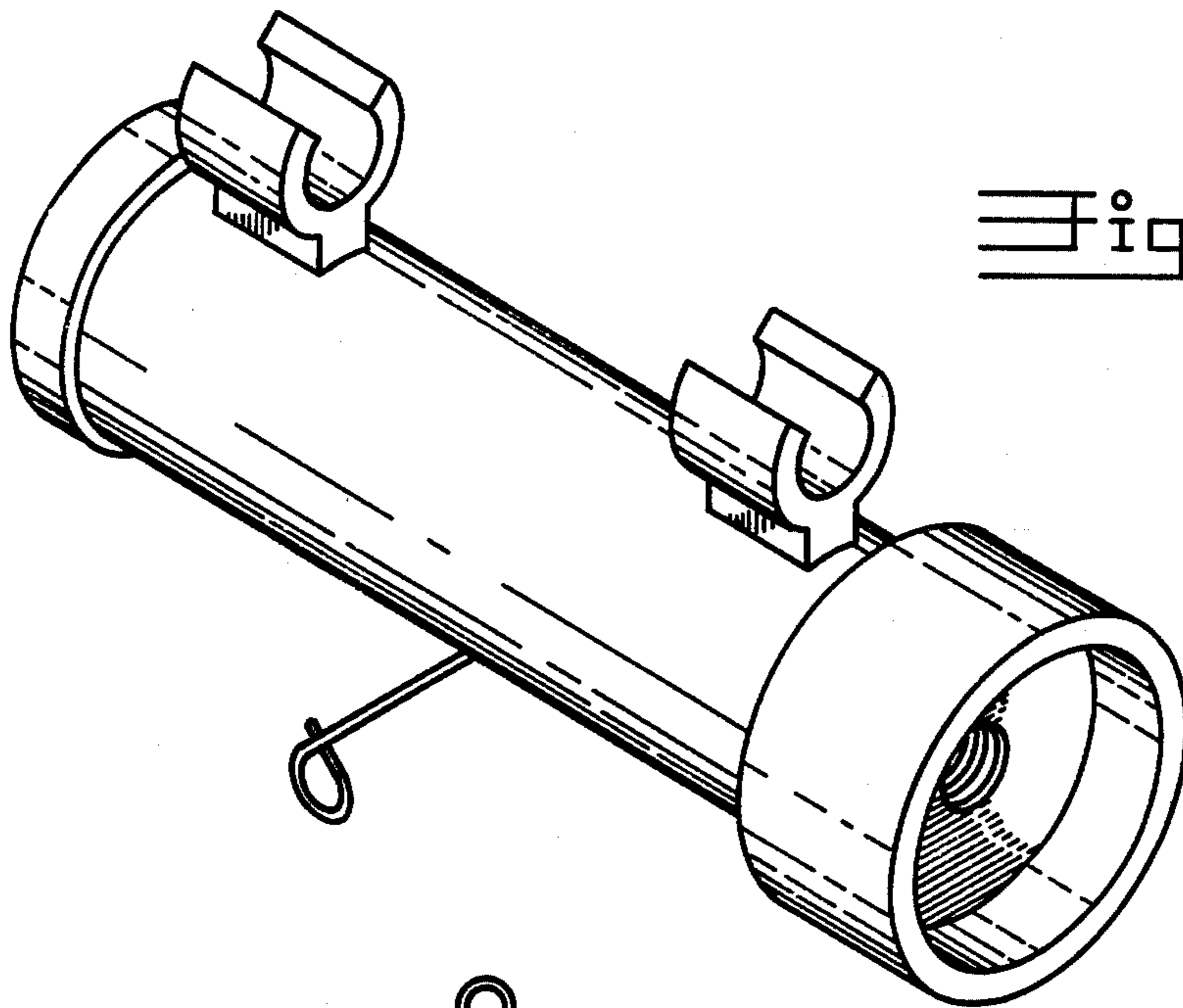


Fig. 1

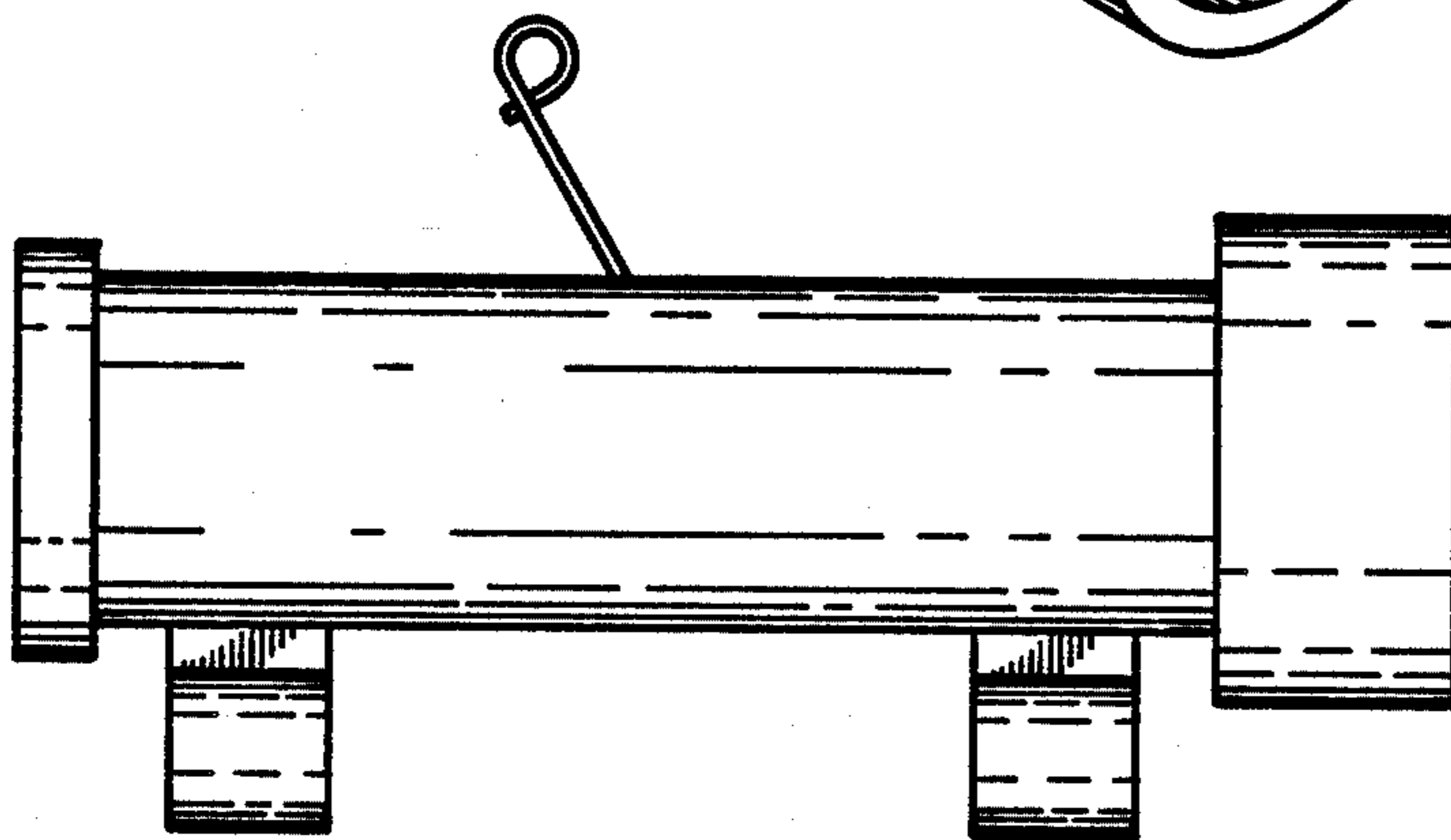


Fig. 2

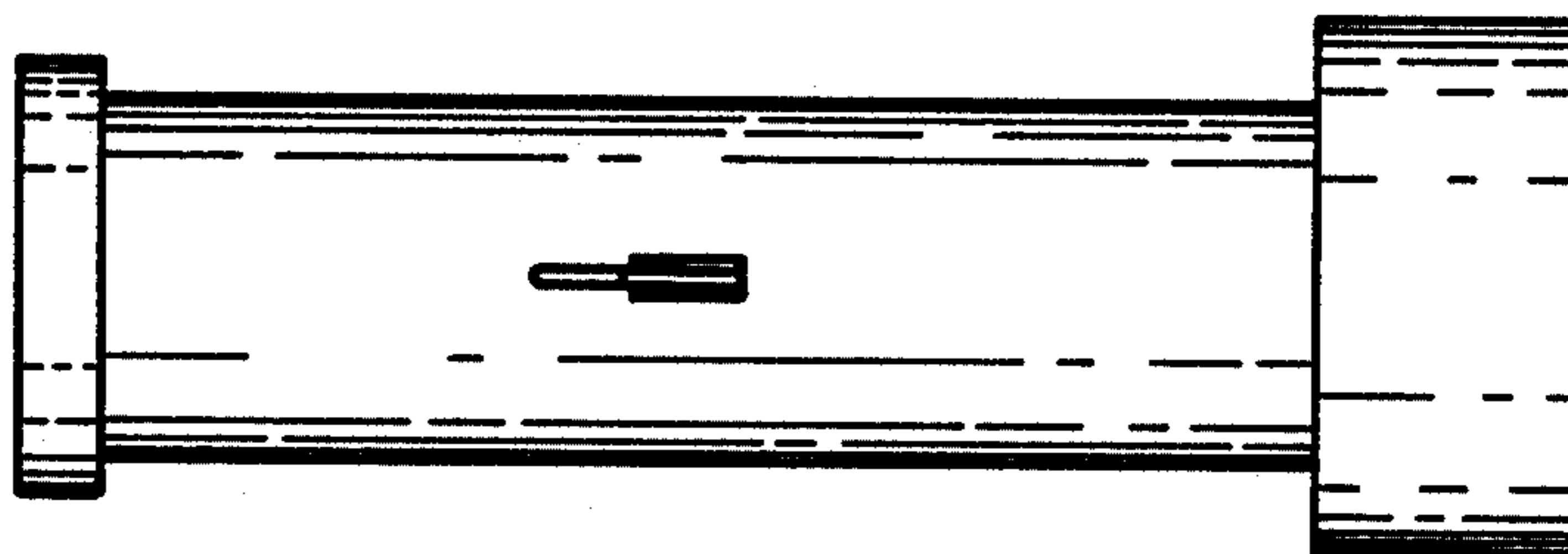


Fig. 3

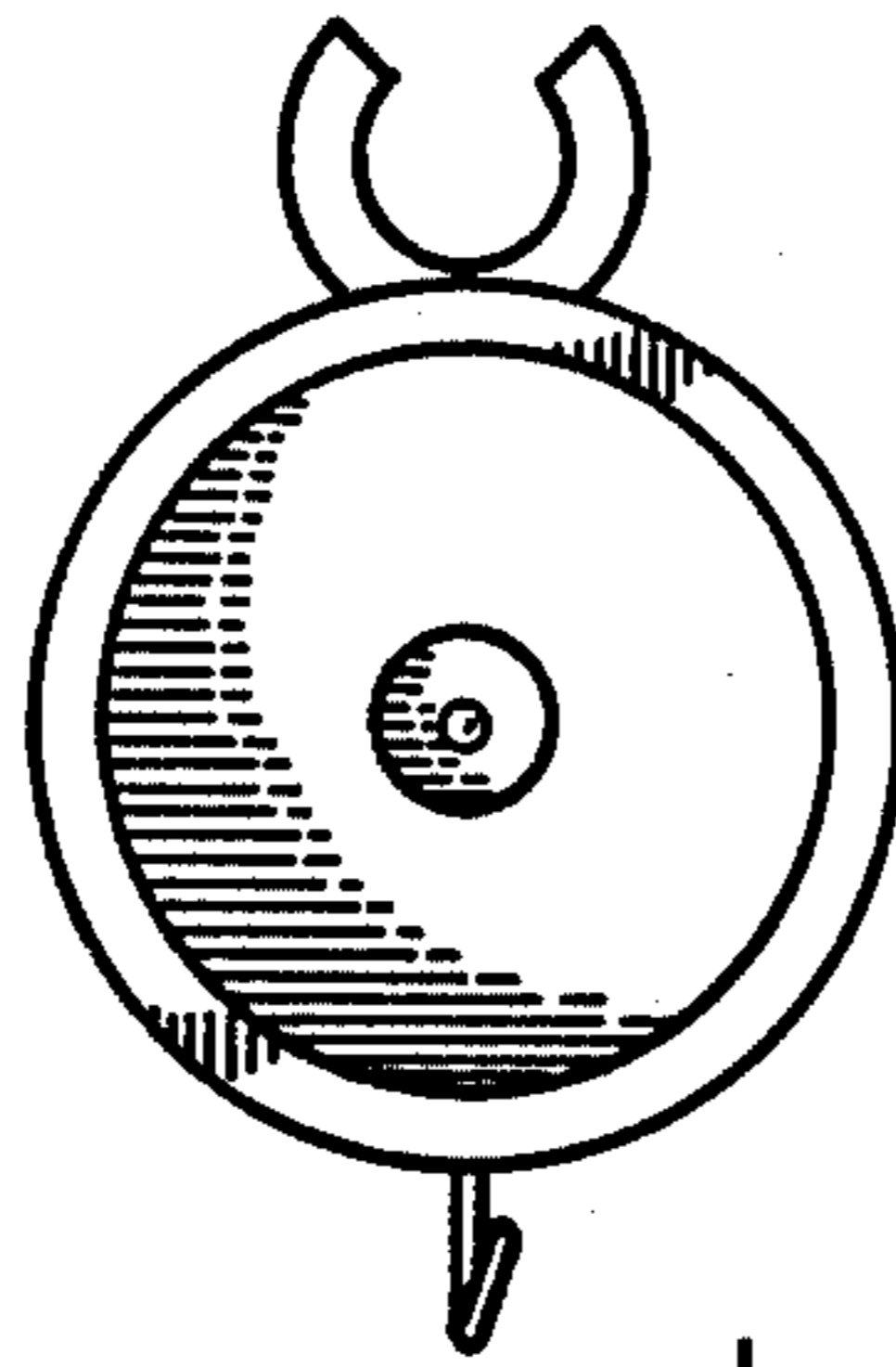


Fig. 4

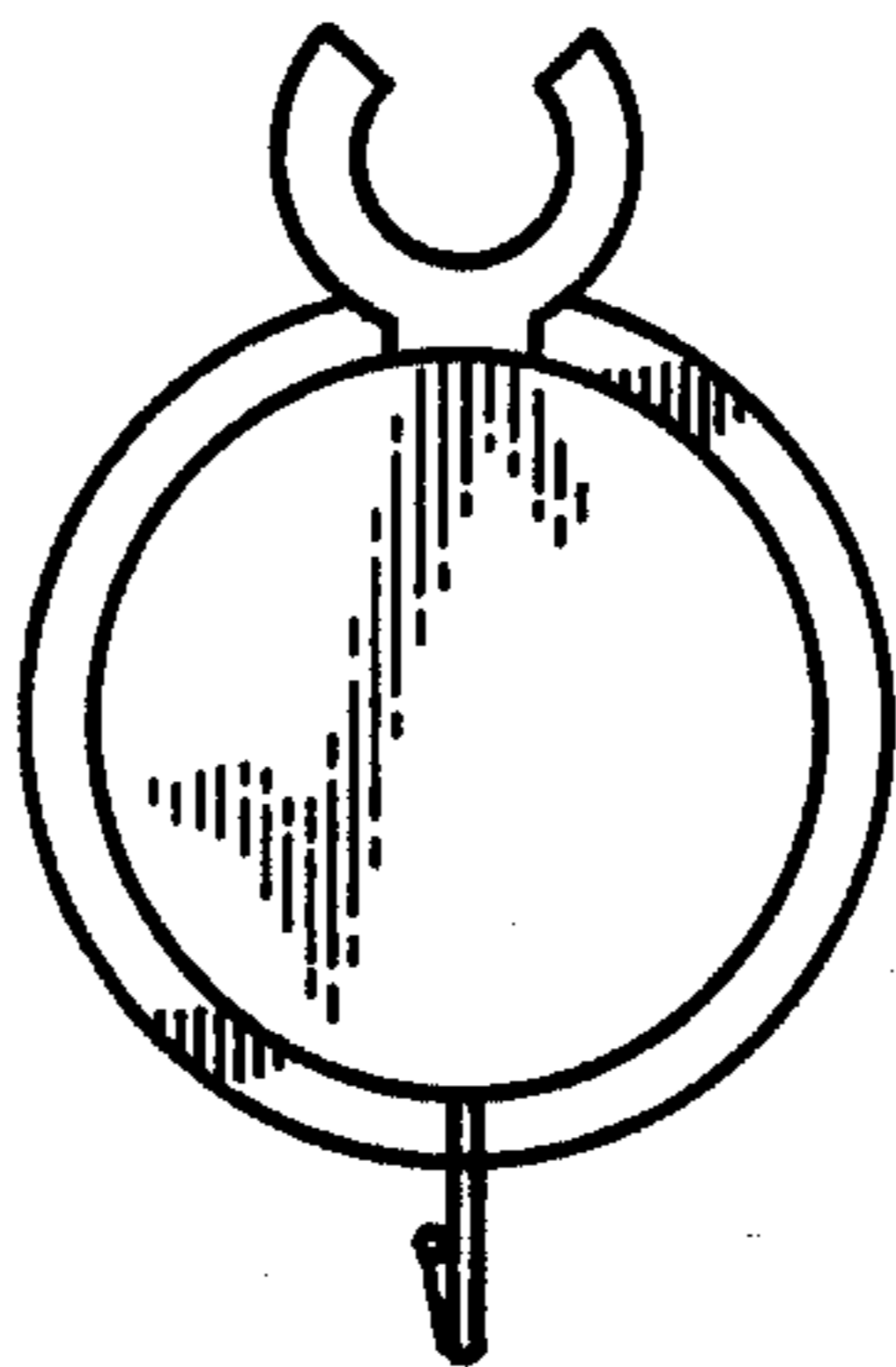


Fig. 5