

United States Patent [19]

Tsuyama

[11] Patent Number: **Des. 299,371**

[45] Date of Patent: **** Jan. 10, 1989**

[54] **BICYCLE EXERCISE**

[75] Inventor: **Sadaharu Tsuyama, Osaka, Japan**

[73] Assignee: **Tsuyama Mfg. Co., Ltd., Osaka, Japan**

[**] Term: **14 Years**

[21] Appl. No.: **833,762**

[22] Filed: **Feb. 18, 1986**

[52] U.S. Cl. **D21/194**

[58] Field of Search **D21/191-199;**
272/70.3, 73, 132, DIG. 6; 73/379

[56] **References Cited**

U.S. PATENT DOCUMENTS

D. 189,481 12/1960 Harwood D21/194
D. 191,792 11/1961 Maratta D21/194

D. 278,268 4/1985 Kiiski D21/194
D. 279,811 7/1985 Nakao et al. D21/194
4,700,942 10/1987 Danchulis 272/73

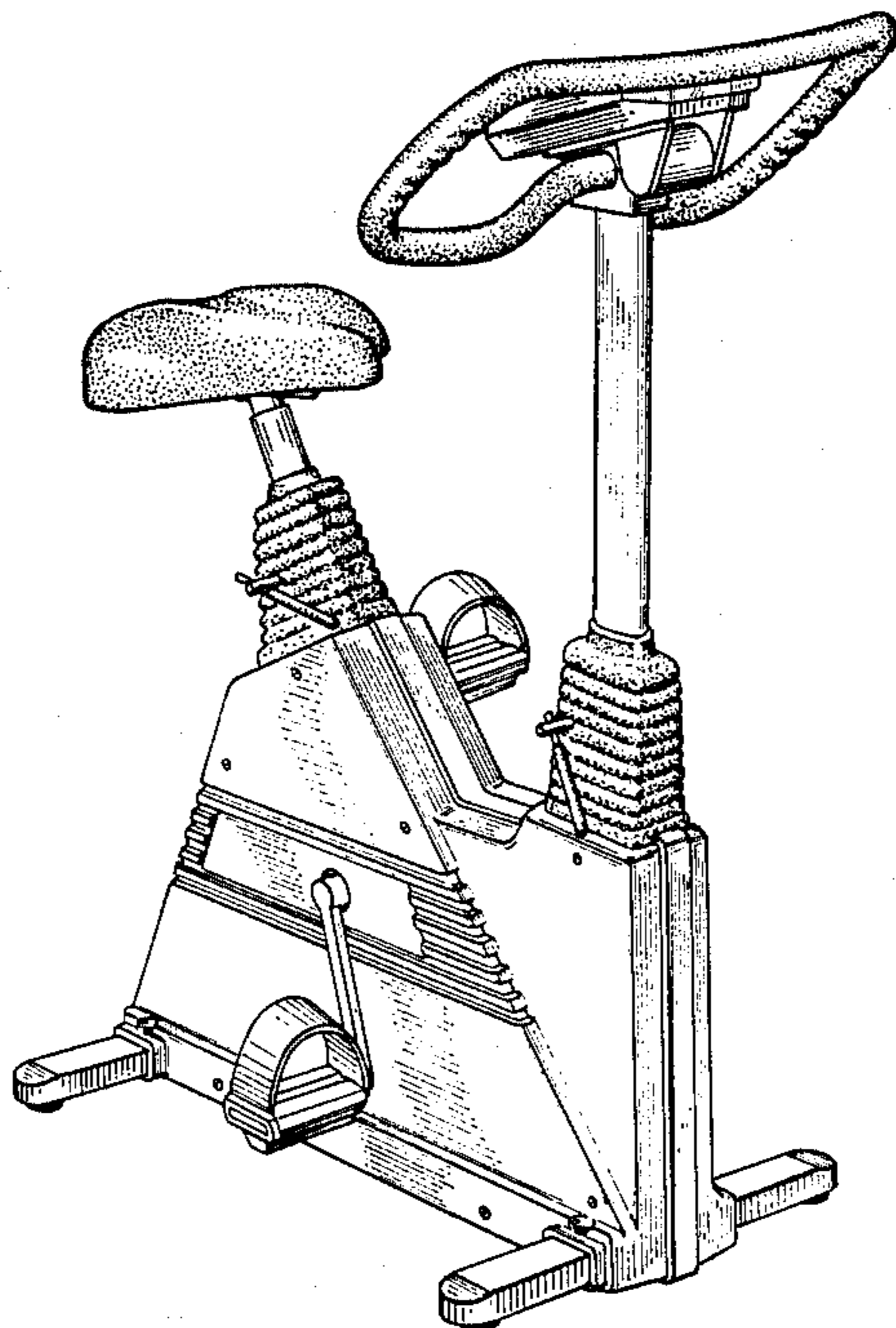
Primary Examiner—Charles A. Rademaker
Attorney, Agent, or Firm—Allegretti & Witcoff, Ltd.

[57] **CLAIM**

The ornamental design for a bicycle exerciser, as shown.

DESCRIPTION

FIG. 1 is a front elevational view of a bicycle exerciser showing my new design;
FIG. 2 is a rear elevational view thereof;
FIG. 3 is a top plan view thereof;
FIG. 4 is a bottom plan view thereof;
FIG. 5 is a right side elevational view thereof;
FIG. 6 is a left side elevational view thereof; and
FIG. 7 is a front perspective view thereof.



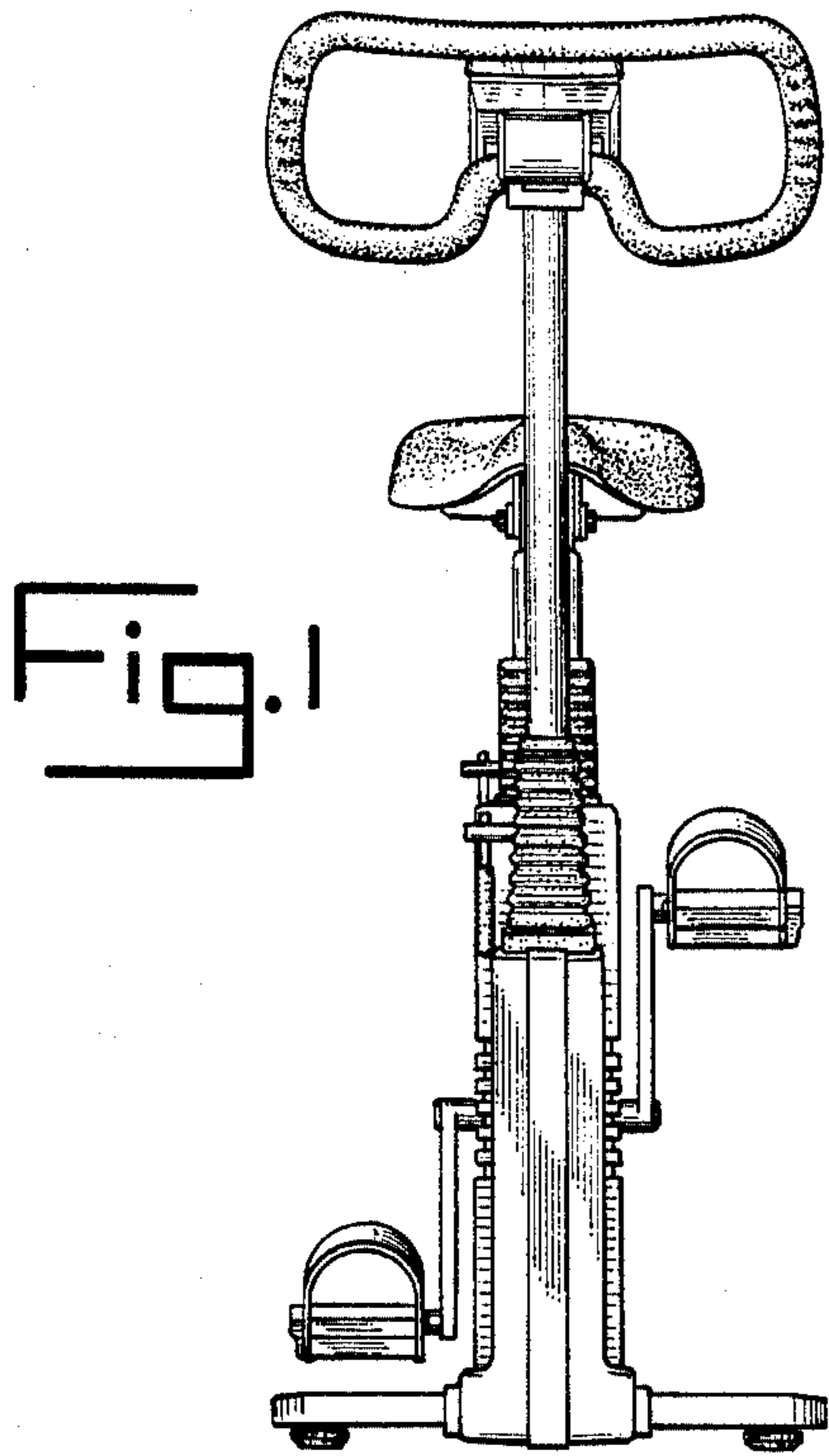


Fig. 1

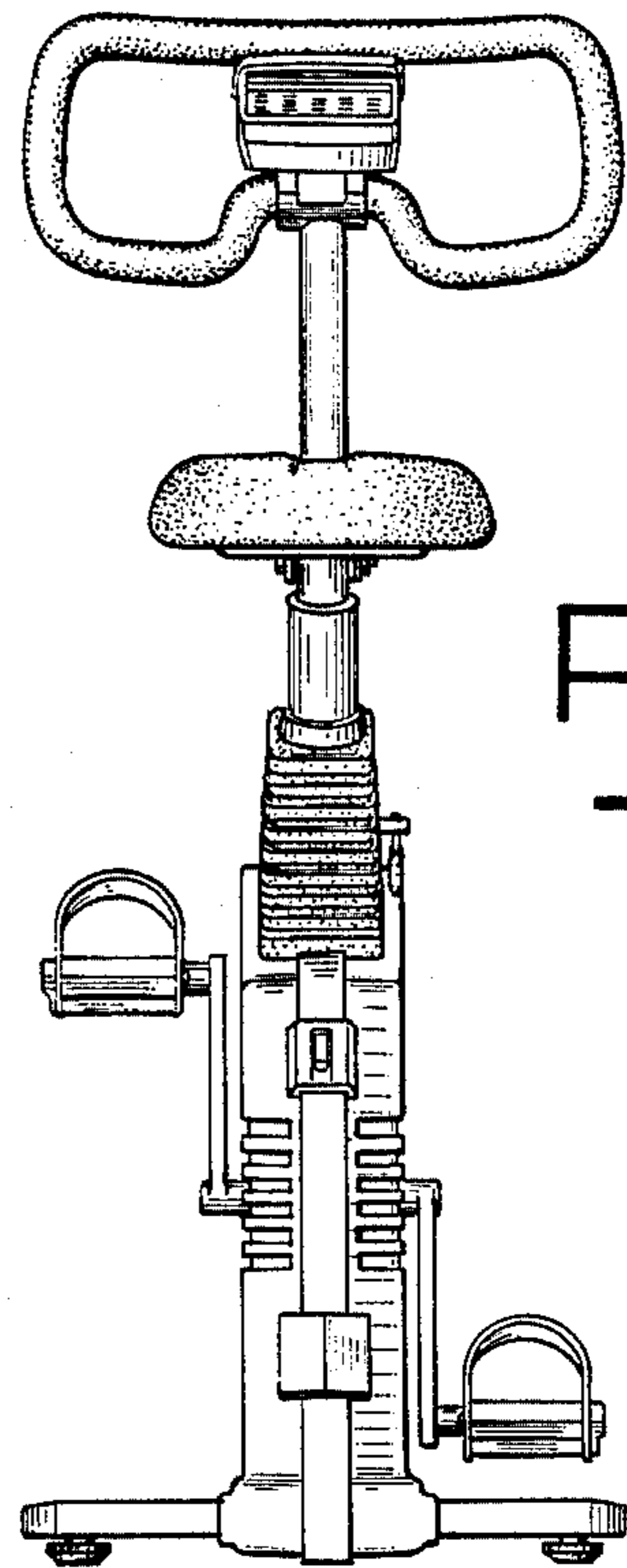


Fig. 2

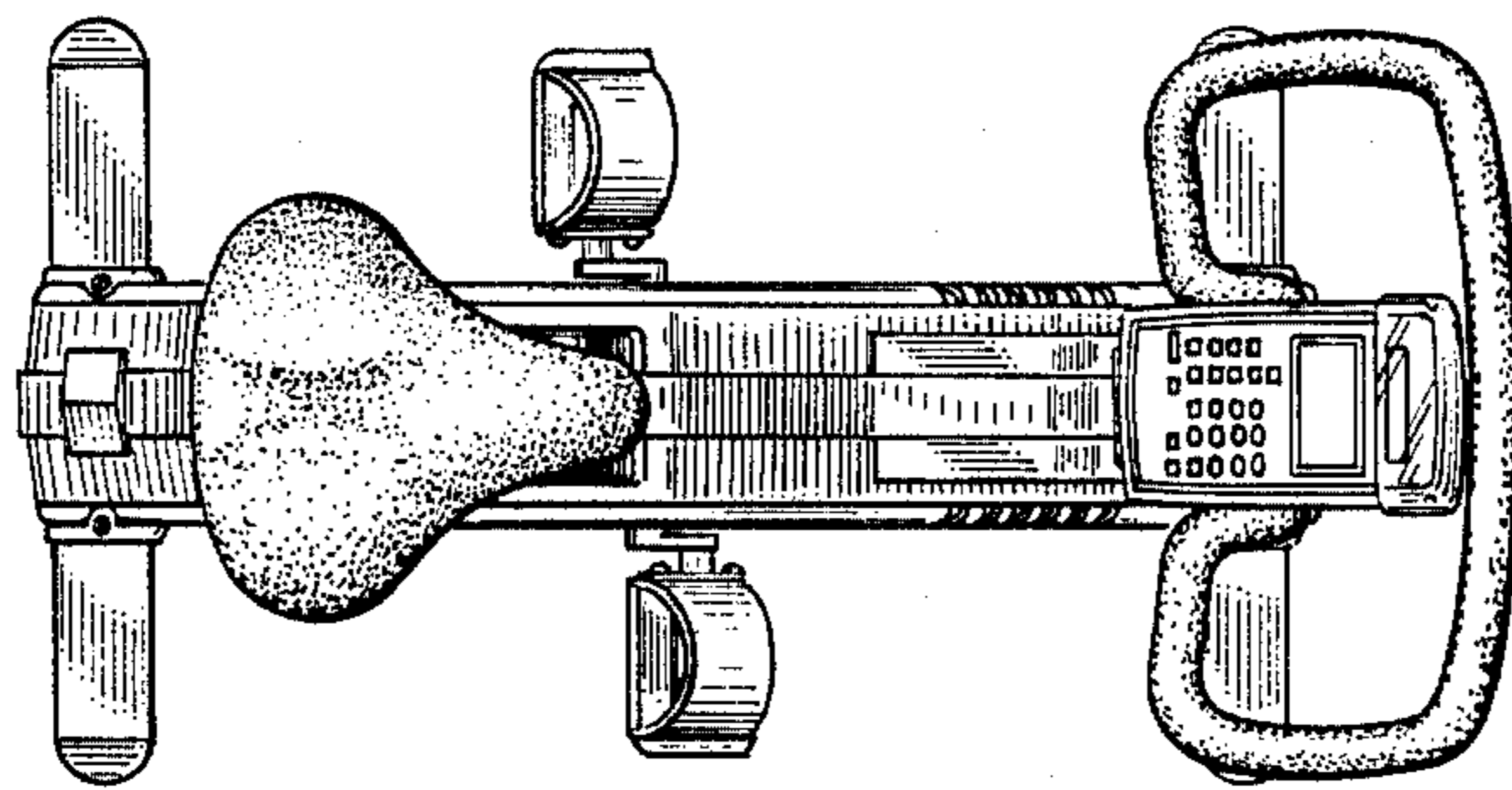


Fig. 3

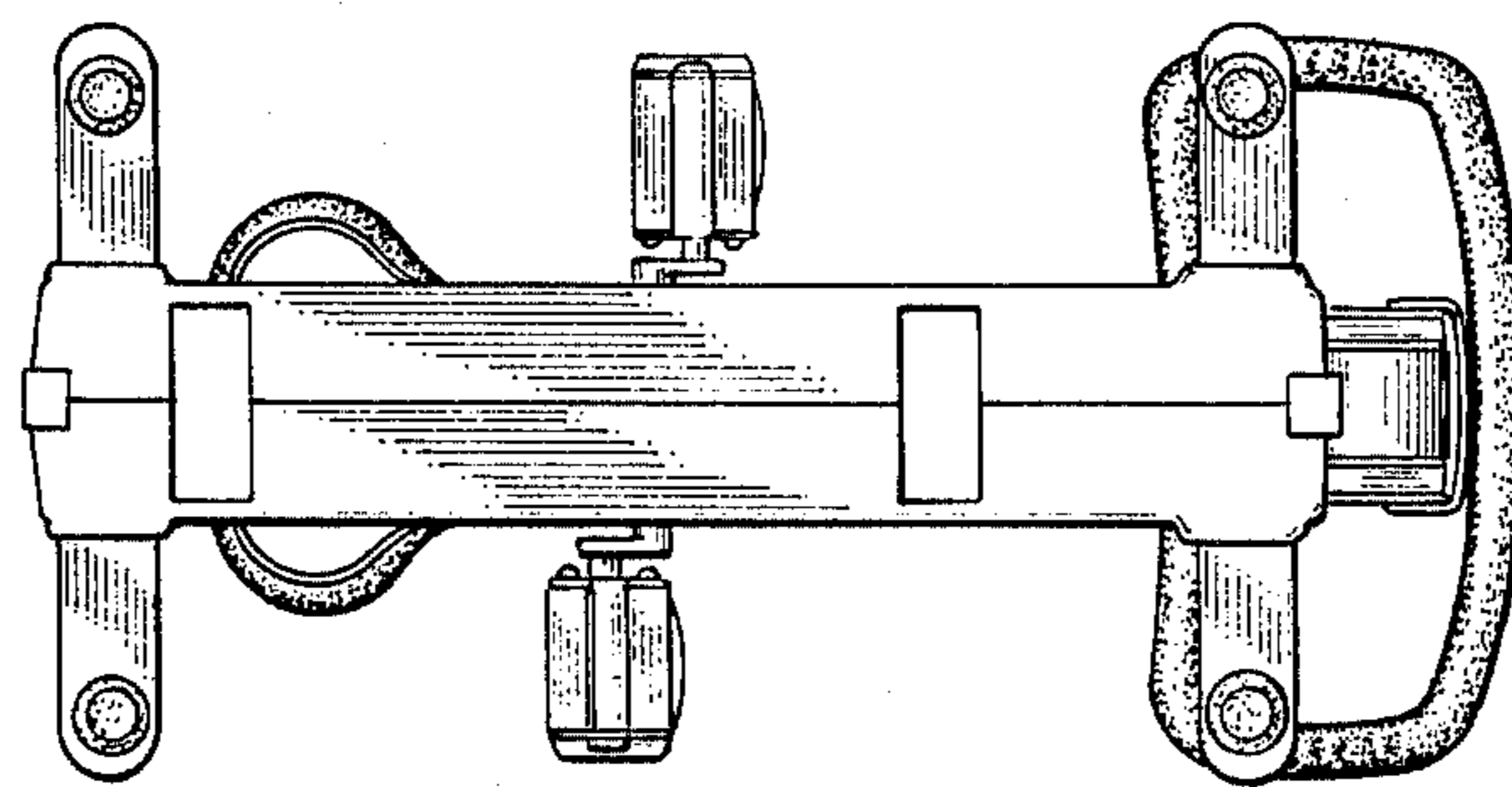


Fig. 4

Fig. 5

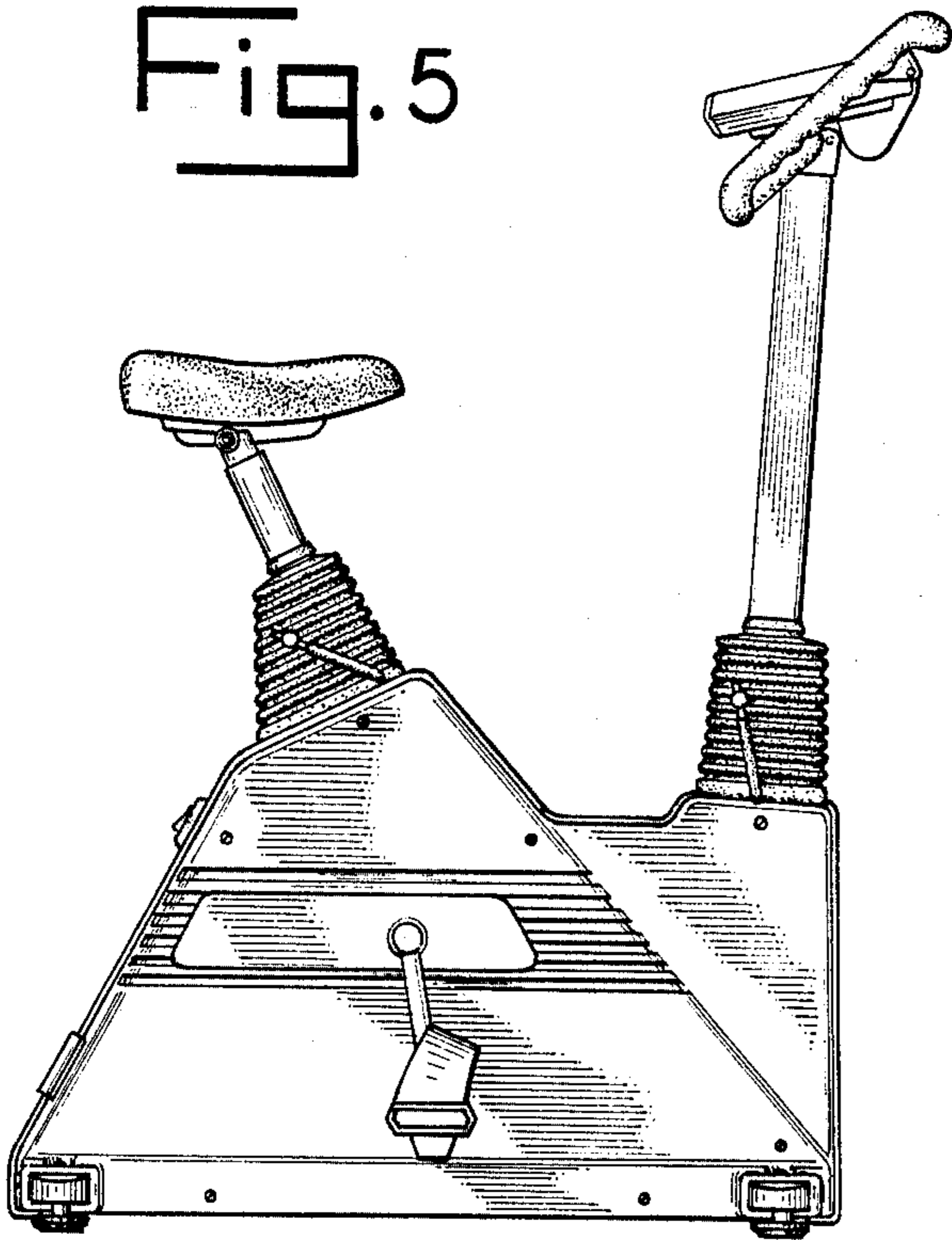


Fig. 6

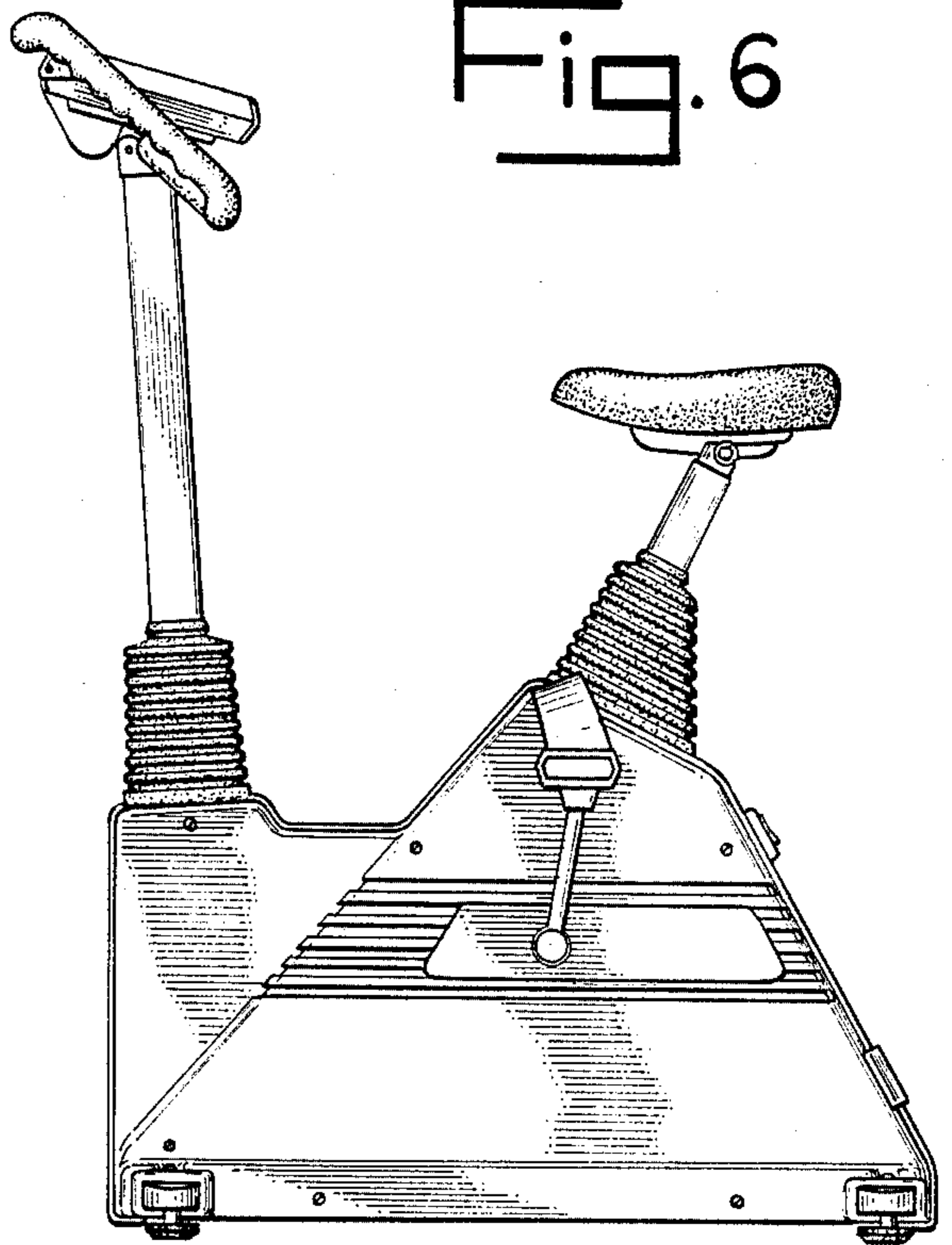
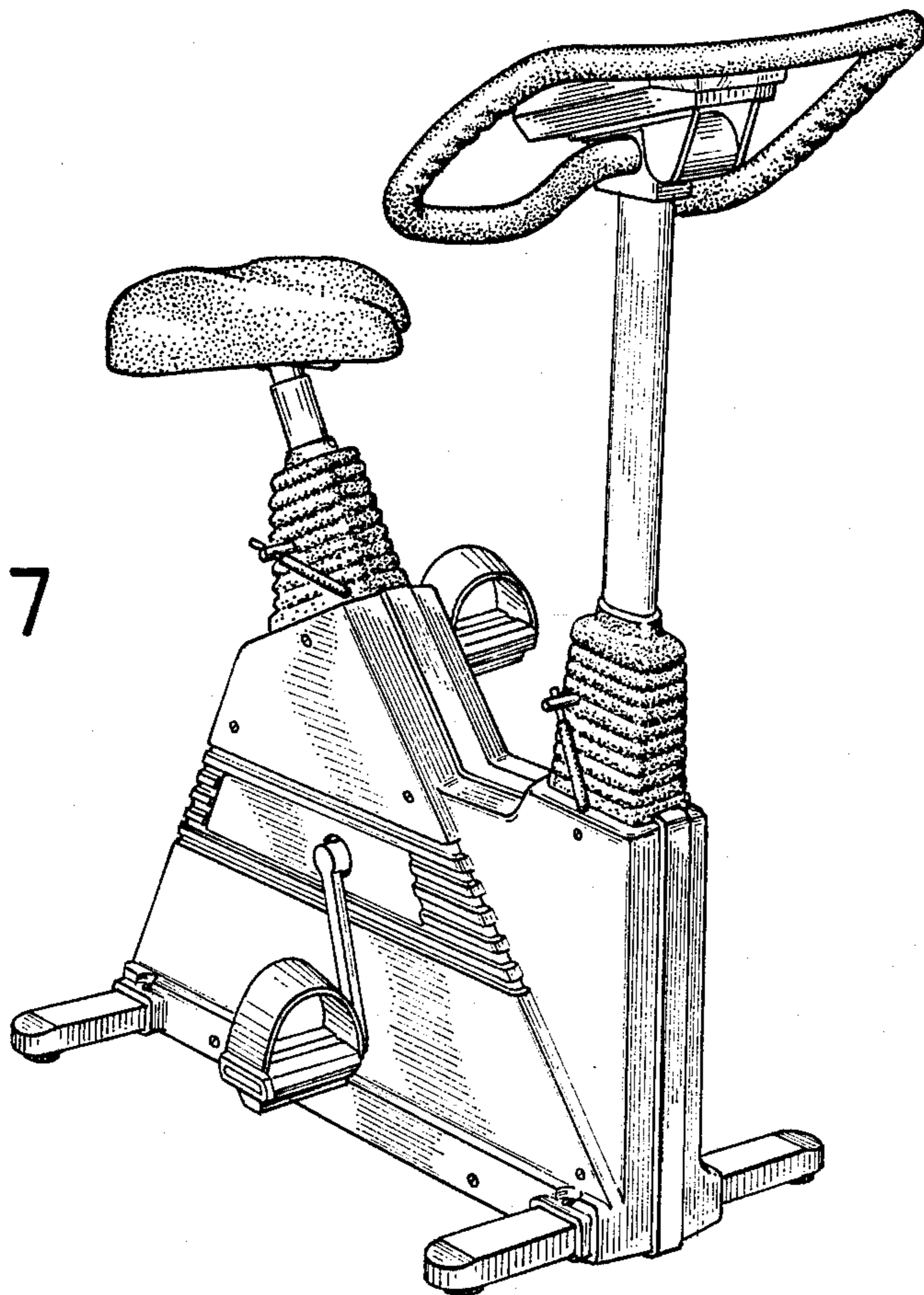


Fig. 7



UNITED STATES PATENT AND TRADEMARK OFFICE
CERTIFICATE OF CORRECTION

PATENT NO. : Des. 299,371
DATED : January 10, 1989
INVENTOR(S) : Tsuyama

It is certified that error appears in the above-identified patent and that said Letters Patent is hereby corrected as shown below:

The title of the invention should read --BICYCLE EXERCISER--.

Signed and Sealed this
Twenty-seventh Day of June, 1989

Attest:

Attesting Officer

DONALD J. QUIGG

Commissioner of Patents and Trademarks