

[54] **EXERCISE CYCLE**

3,360,263 12/1967 Tsuru ..... 272/73

[76] **Inventor: Ronald A. McNeil, P.O. Box 14165,  
Tallahassee, Fla. 32317**

*Primary Examiner*—Charles A. Rademaker  
*Attorney, Agent, or Firm*—Shlesinger, Arkwright &  
Garvey

[\*\*] **Term: 14 Years**

[21] **Appl. No.: 804,130**

[22] **Filed: Nov. 5, 1985**

[52] **U.S. Cl. .... D21/194**

[58] **Field of Search ..... D21/194; 272/70.3, 73,  
272/132, DIG. 6; 73/379**

[57] **CLAIM**

The ornamental design for exercise cycle, as shown and described.

**DESCRIPTION**

FIG. 1 is a left side elevational view of an exercise cycle showing my new design;

FIG. 2 is a top plan view thereof;

FIG. 3 is a front elevational view thereof;

FIG. 4 is a rear elevational view thereof; and,

FIG. 5 is a bottom plan view thereof.

The right side elevational view is a mirror image of the left side elevational view of FIG. 1.

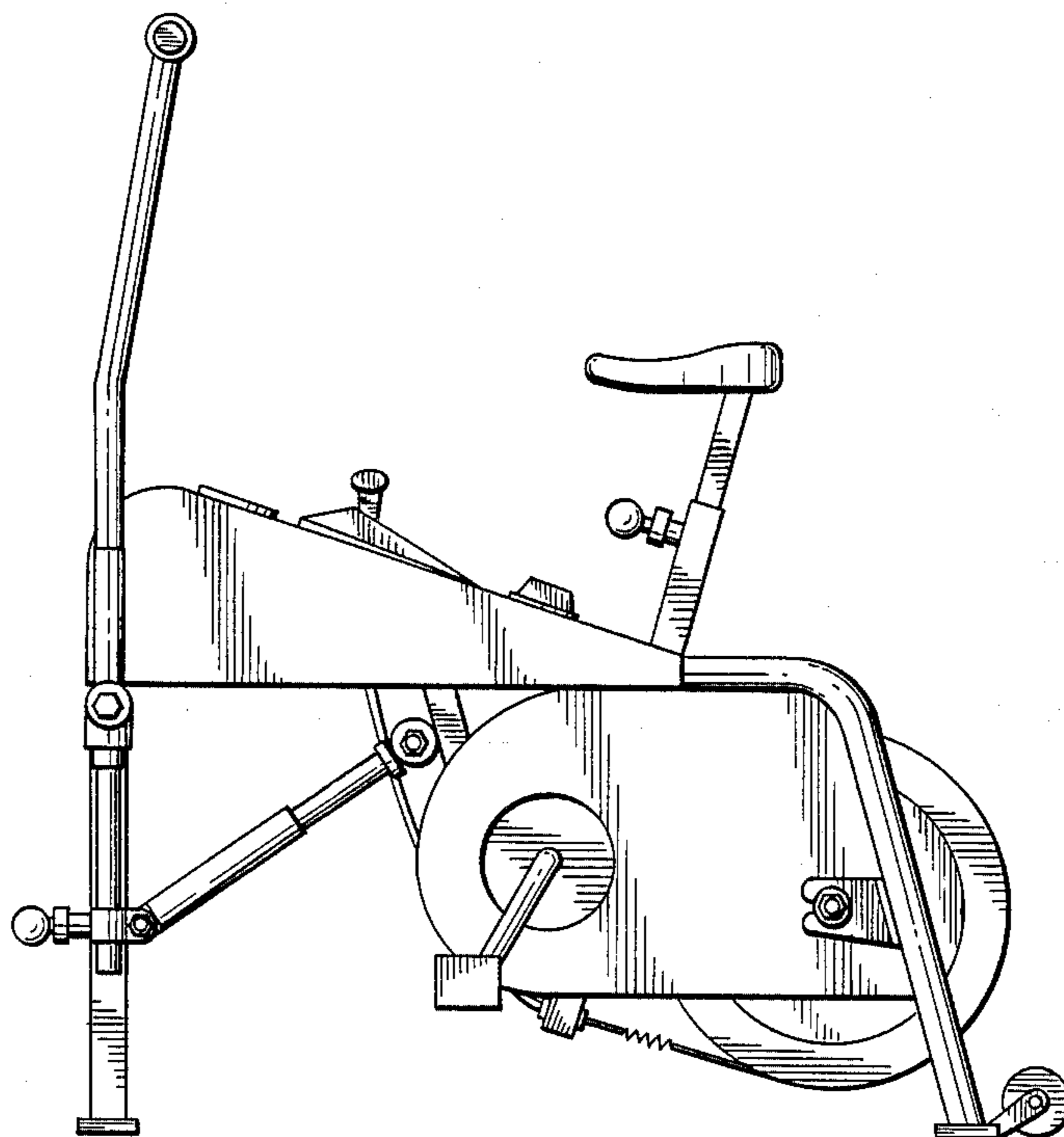
[56] **References Cited**

**U.S. PATENT DOCUMENTS**

D. 210,958 5/1968 Westborg ..... D21/194

D. 243,028 1/1977 Proctor ..... D21/194

D. 254,679 4/1980 Gustafsson ..... D21/194



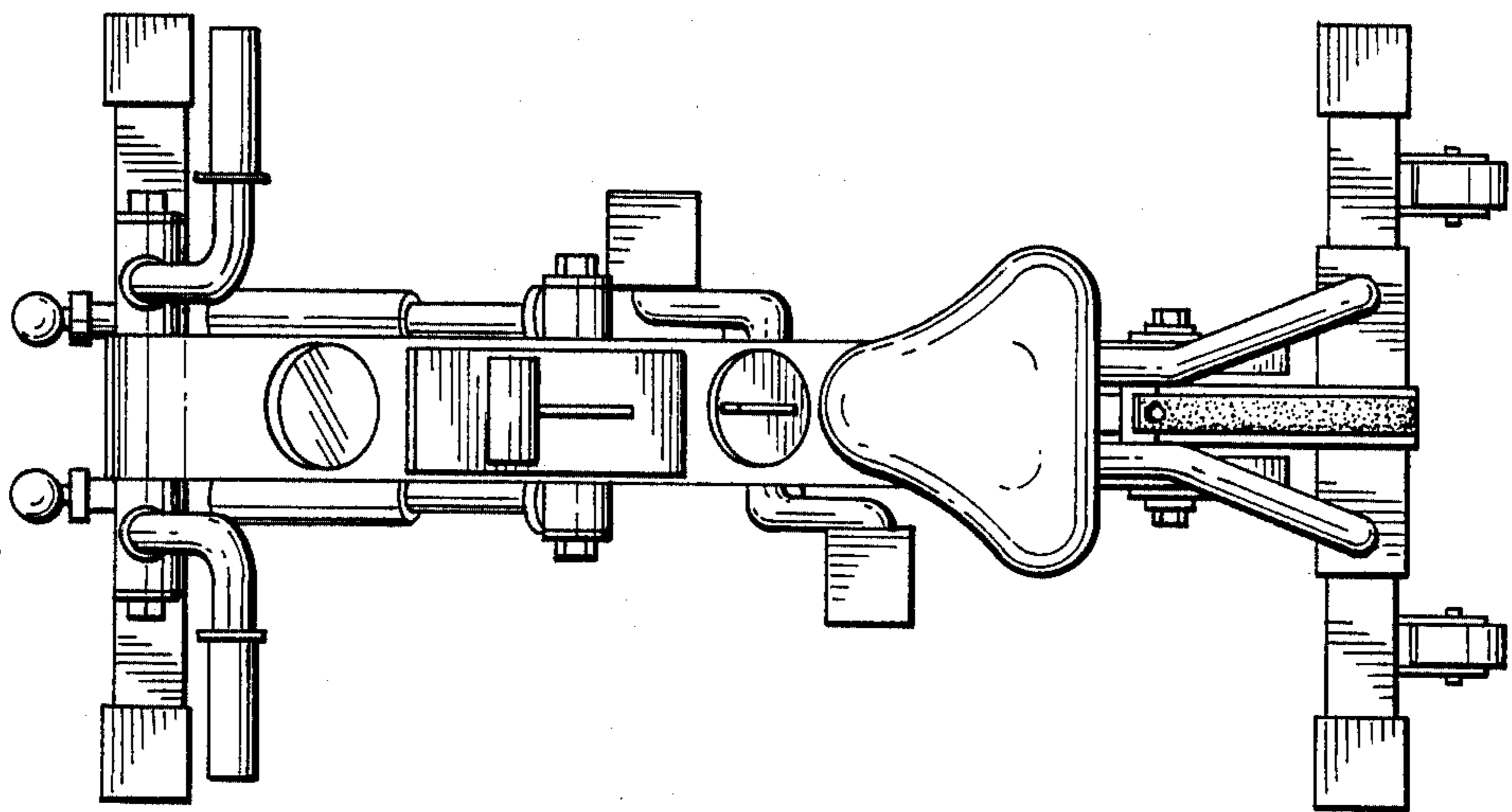
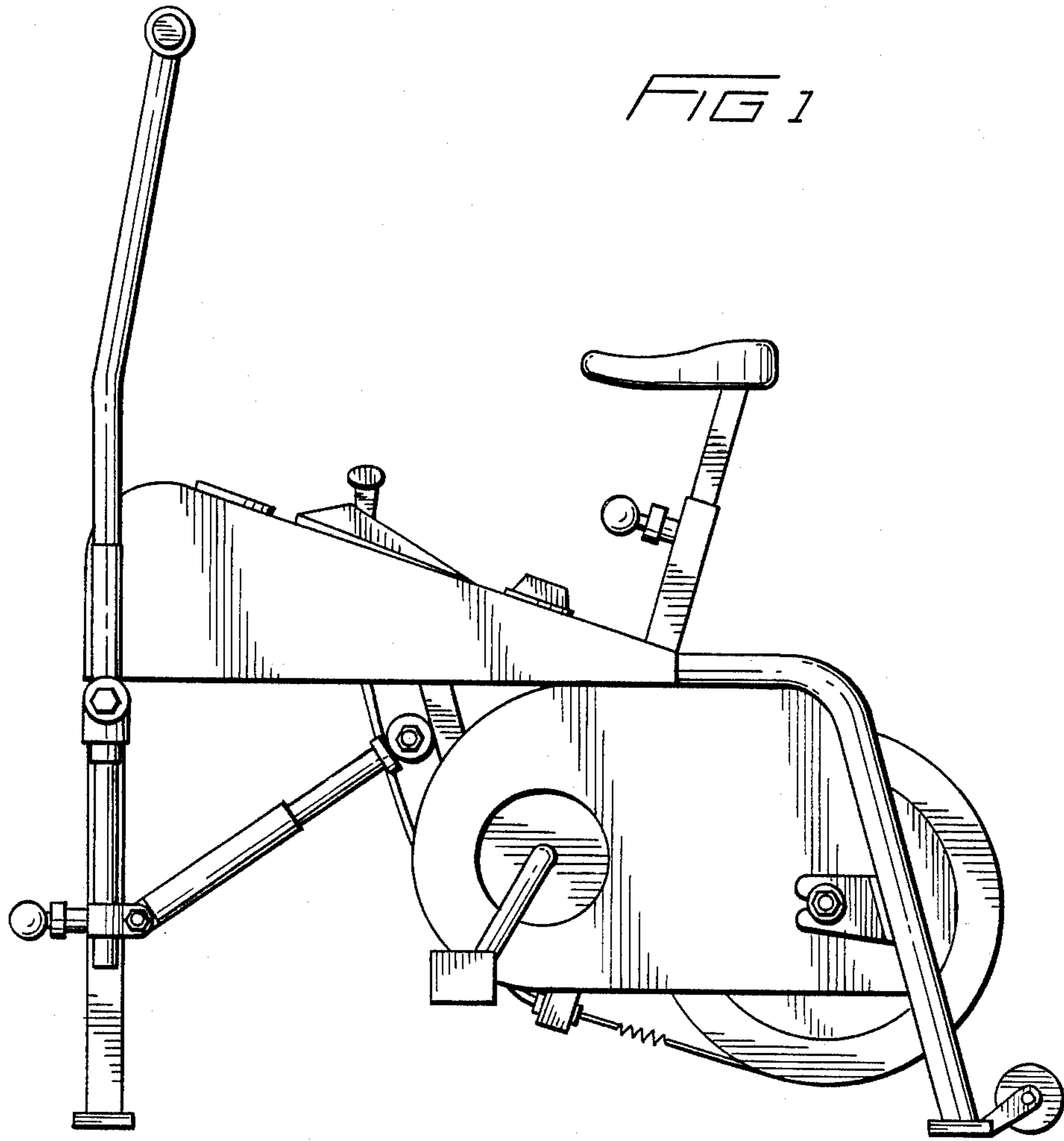


FIG 3

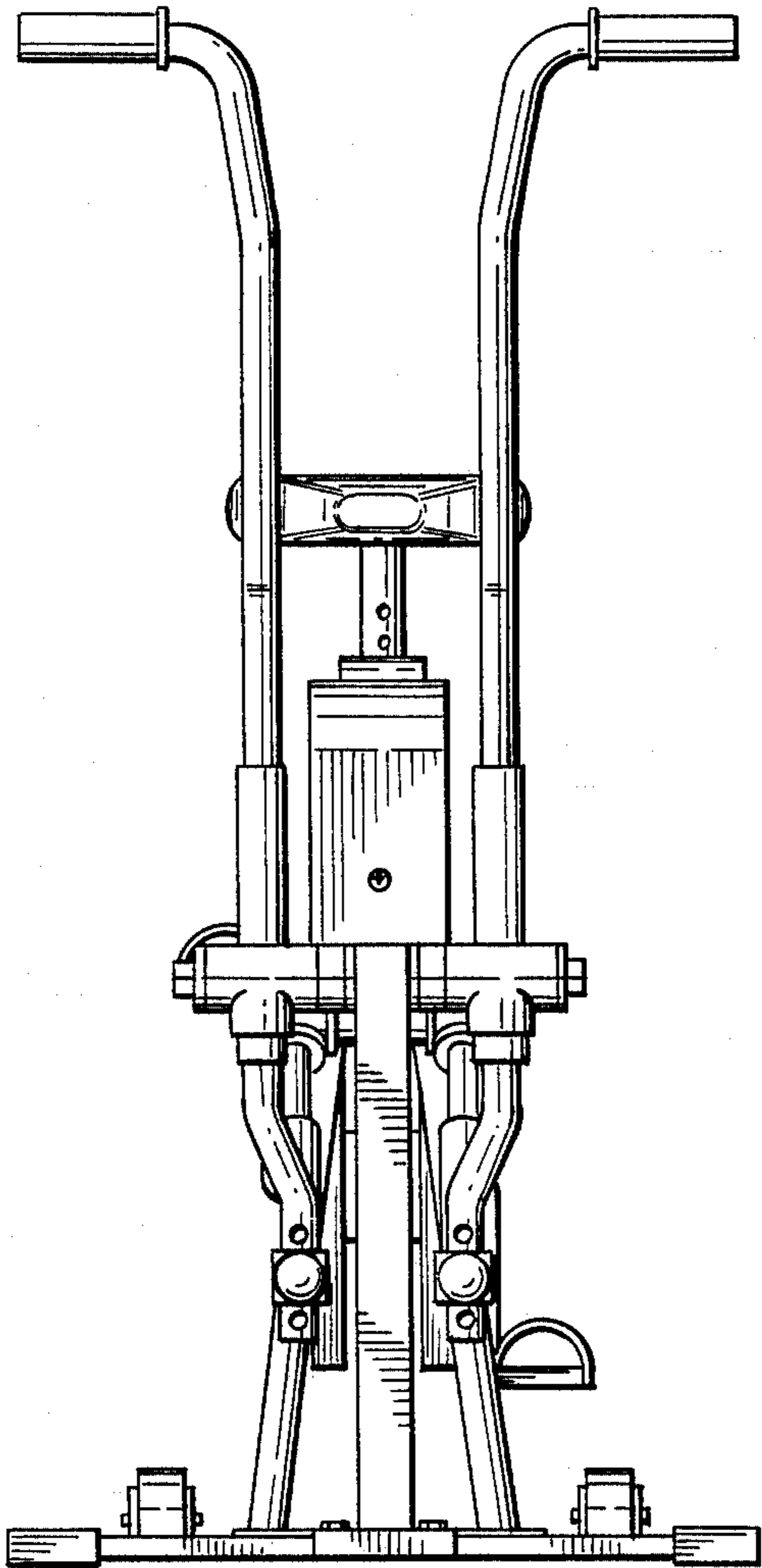


FIG 4

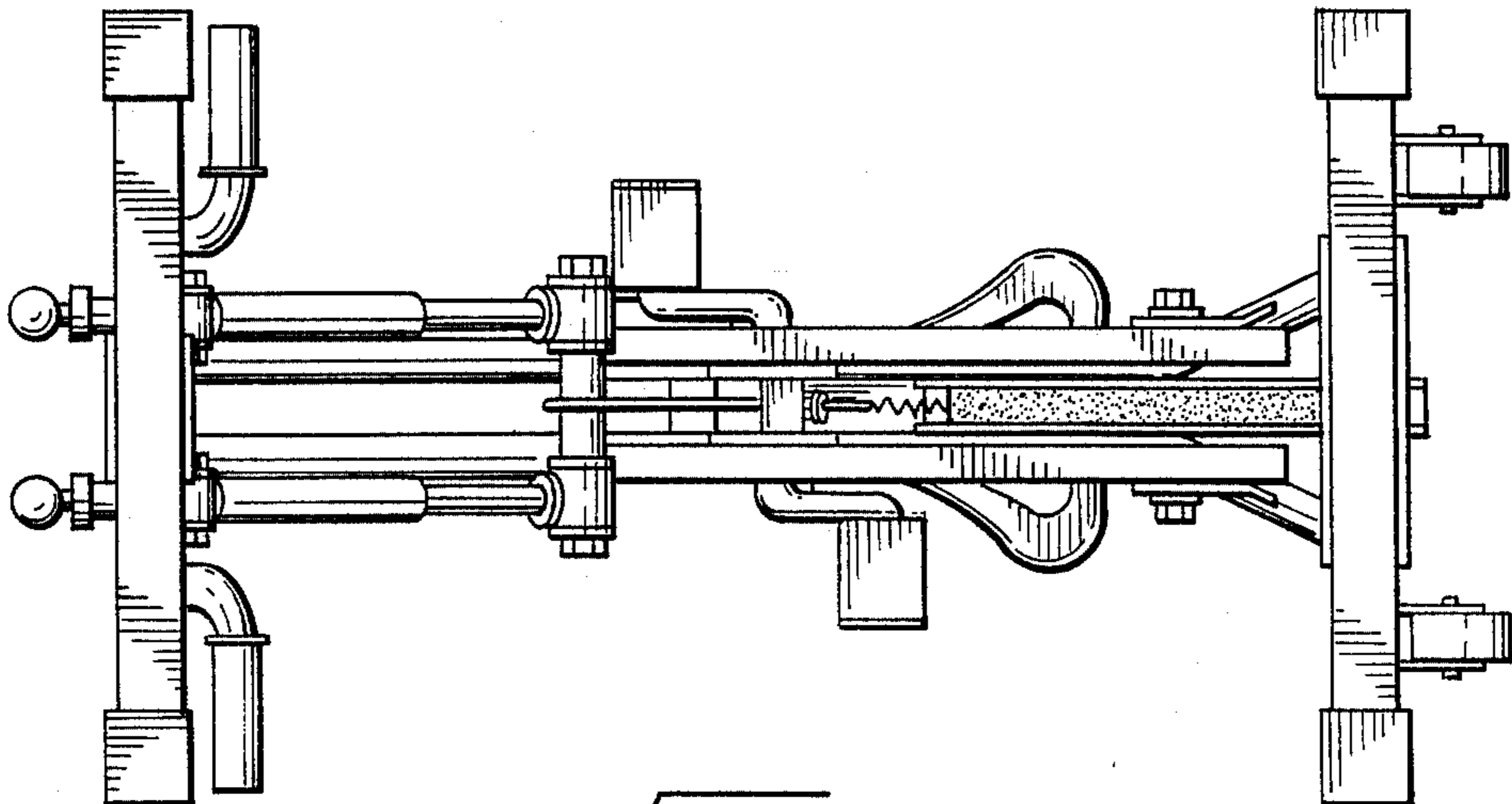
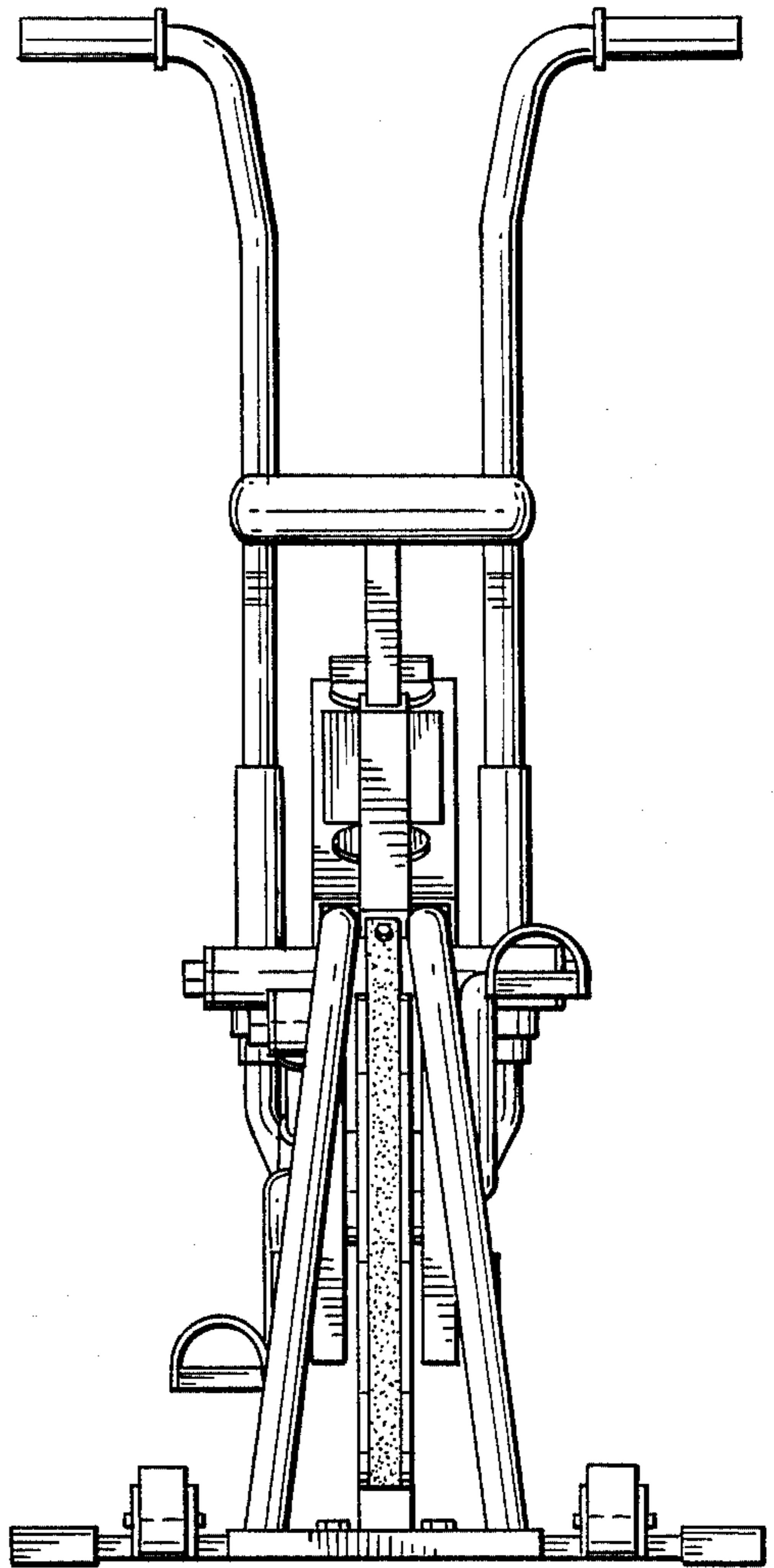


FIG 5