

United States Patent [19]

Smith et al.

[11] Patent Number: Des. 299,369

[45] Date of Patent: ** Jan. 10, 1989

[54] SKIING EXERCISER OR SIMILAR ARTICLE

[75] Inventors: David B. Smith, Bellevue; Larry J. Graf, Snohomish; Randolph F. Miller, Mt. Vernon, all of Wash.

[73] Assignee: Precor Incorporated, Bothell, Wash.

[**] Term: 14 Years

[21] Appl. No.: 915,645

[22] Filed: Oct. 9, 1986

[52] U.S. Cl. D21/191

[58] Field of Search D21/191-199;
272/70, 72, 97, 132, 133, 73, 69, 135, 126, DIG.

4

[56] References Cited

U.S. PATENT DOCUMENTS

2,772,881 12/1956 Fundom D21/192

4,618,139 10/1986 Haaheim 272/69
4,743,015 5/1988 Marshall 272/70

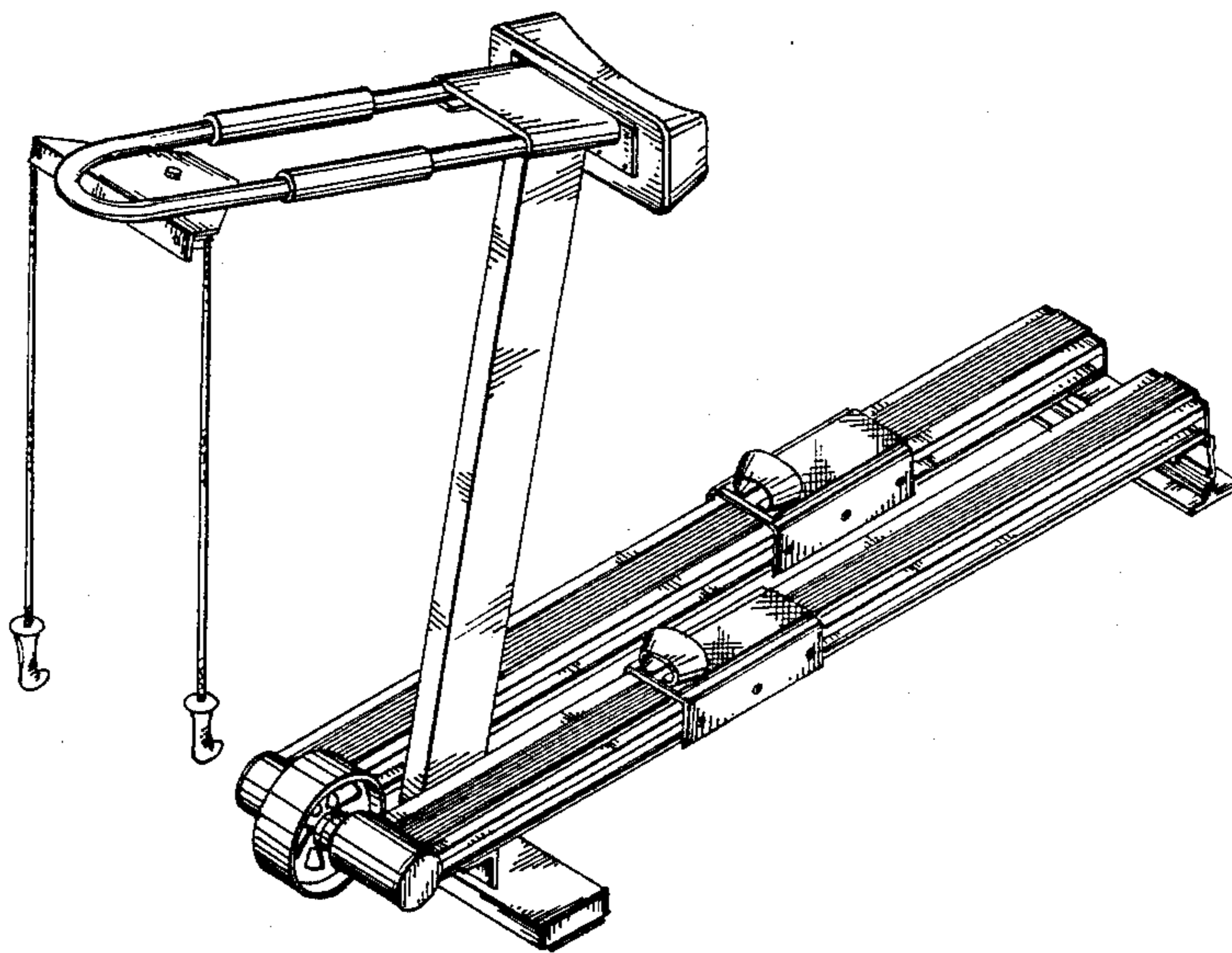
Primary Examiner—Charles A. Rademaker
Attorney, Agent, or Firm—Christensen, O'Connor,
Johnson & Kindness

[57] CLAIM

The ornamental design for a skiing exerciser or similar article, as shown and described.

DESCRIPTION

FIG. 1 is a front isometric view of a skiing exerciser or similar article showing our design;
FIG. 2 is a side elevational view thereof;
FIG. 3 is a top plan view thereof;
FIG. 4 is a bottom plan view thereof with the rope and handle members in alternate positions;
FIG. 5 is a front elevational view thereof; and,
FIG. 6 is a rear elevational view thereof.



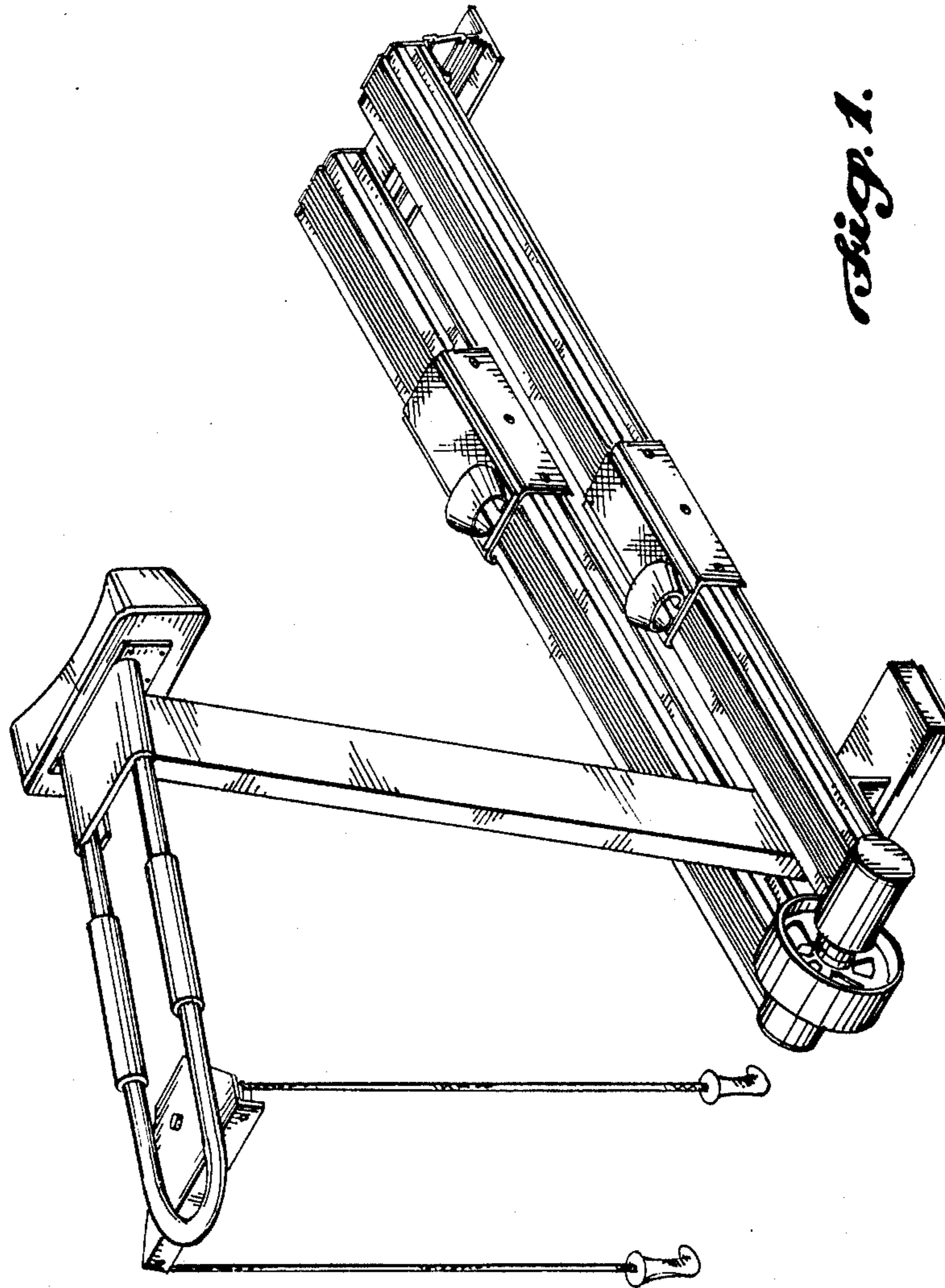


Fig. 1.

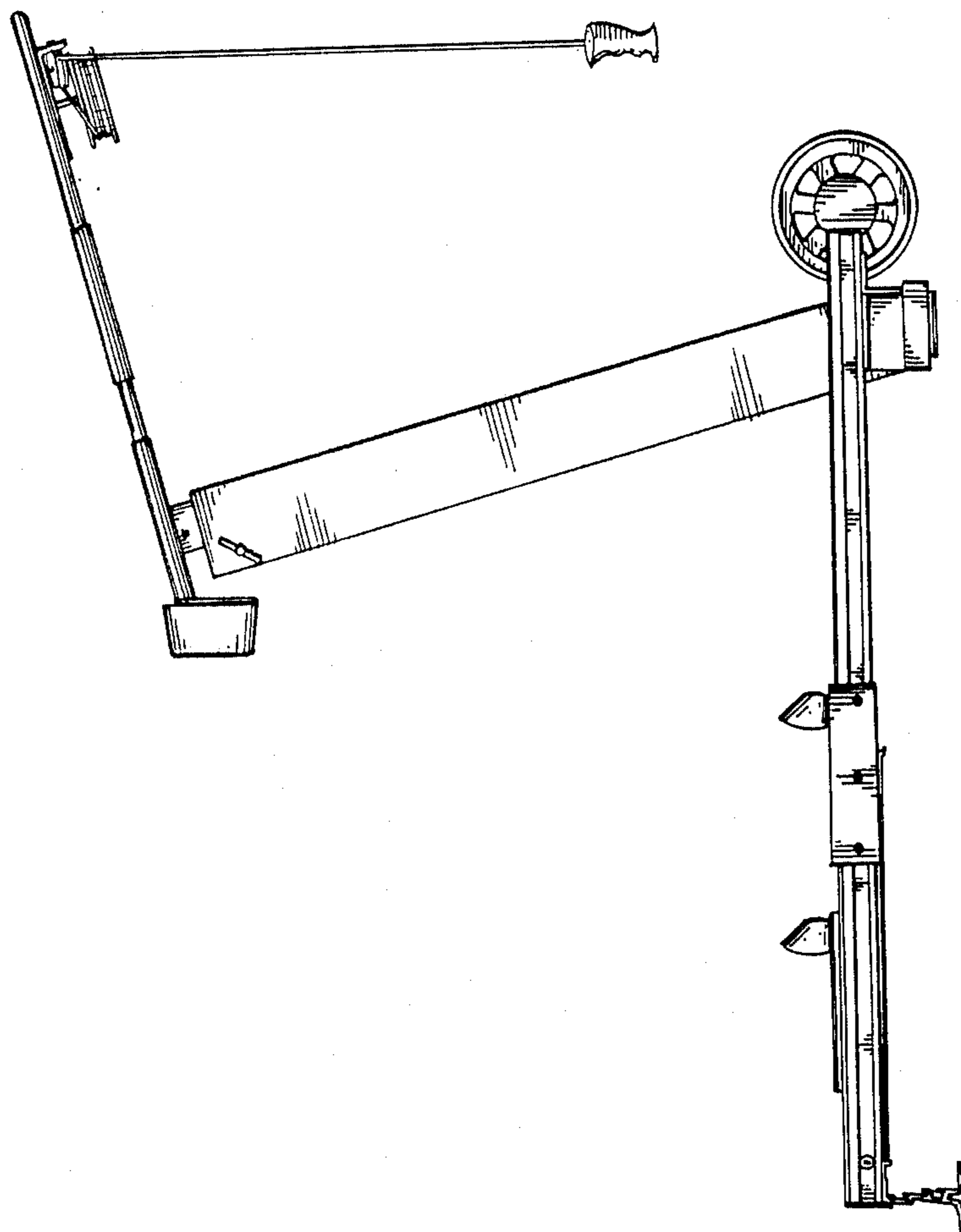


Fig. 2.

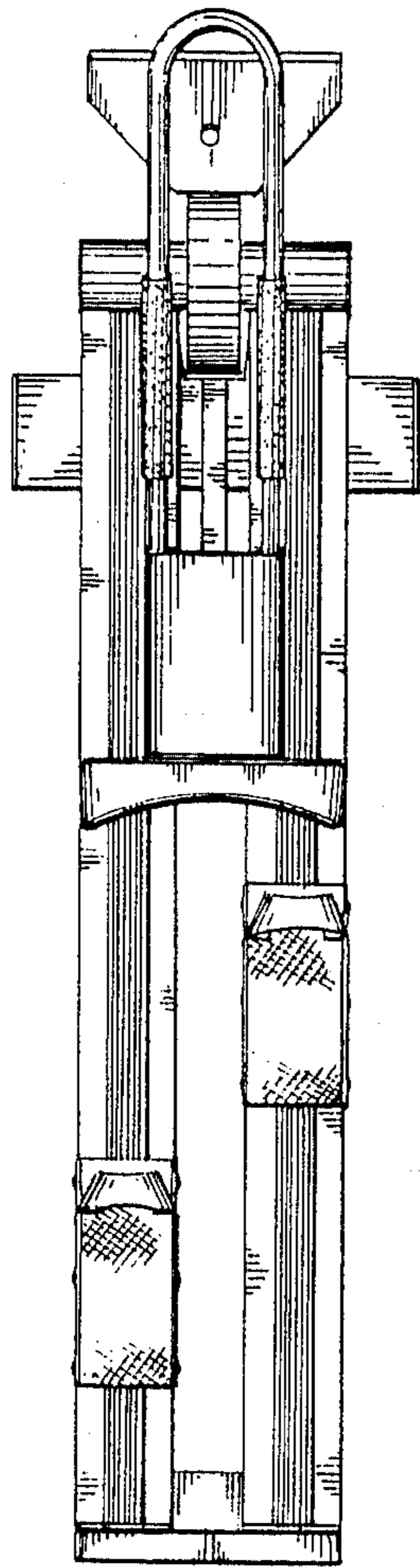


Fig. 3.

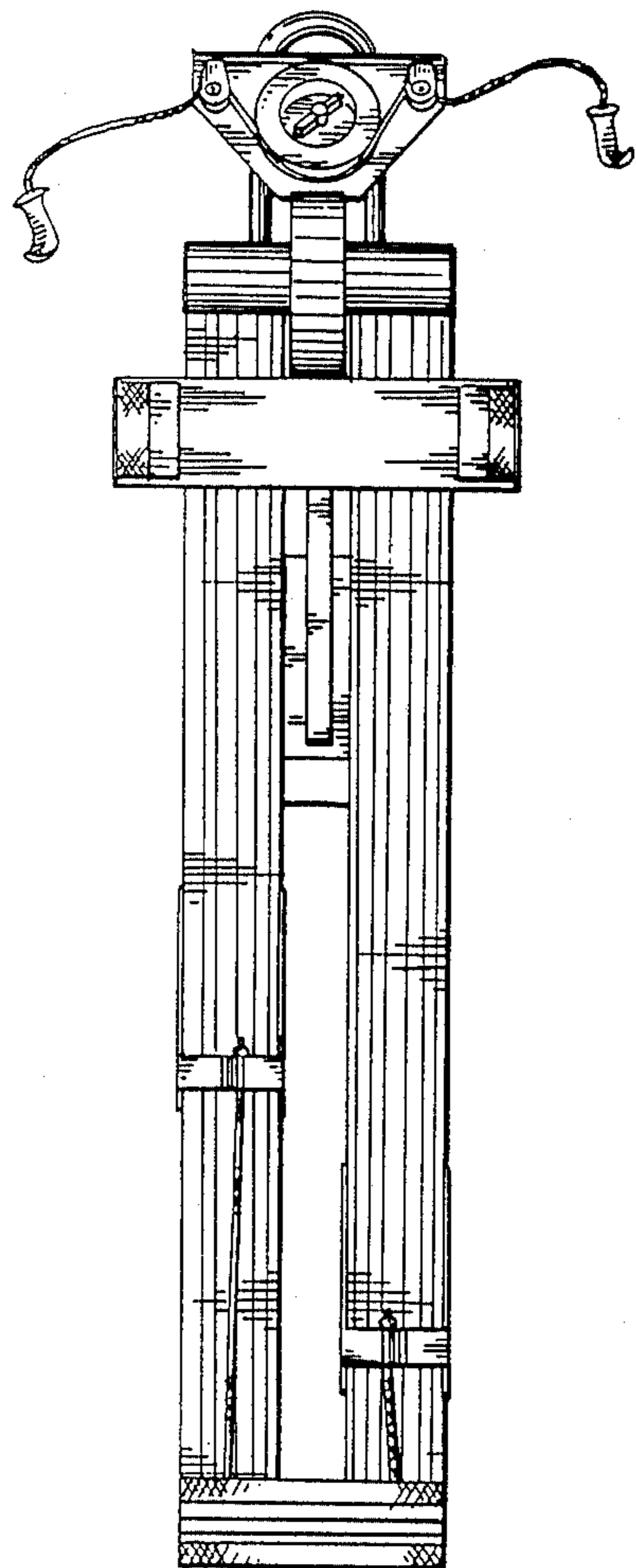


Fig. 4.

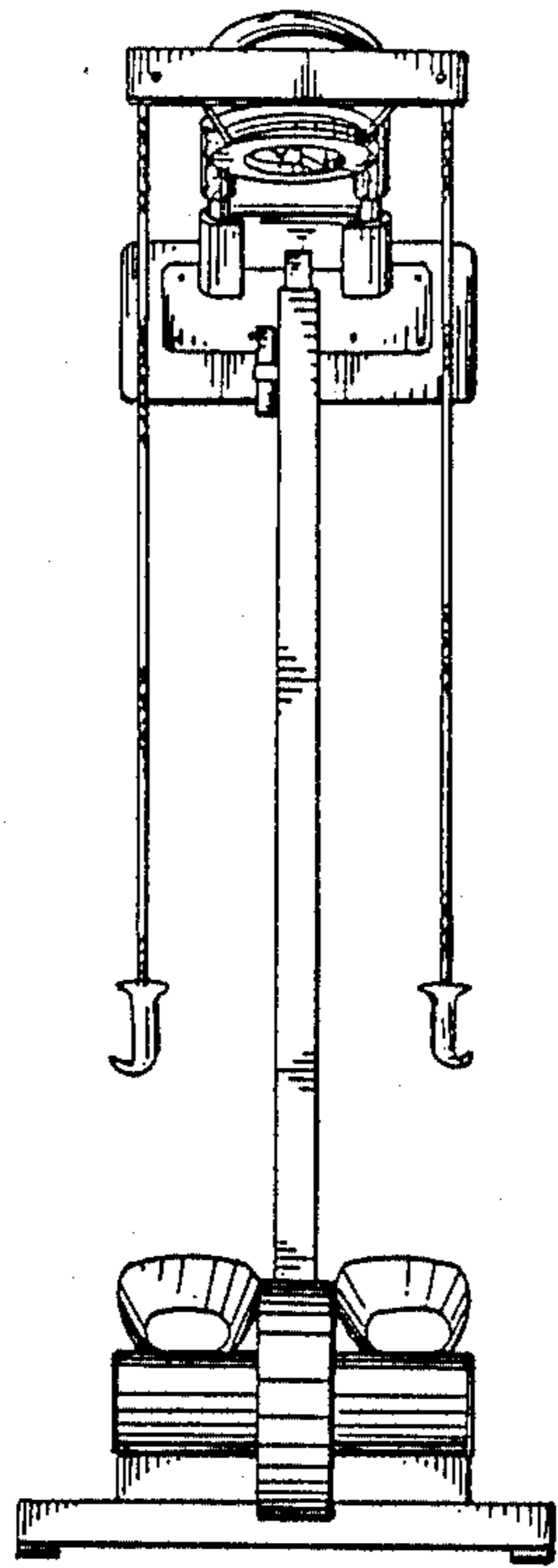


Fig. 5.

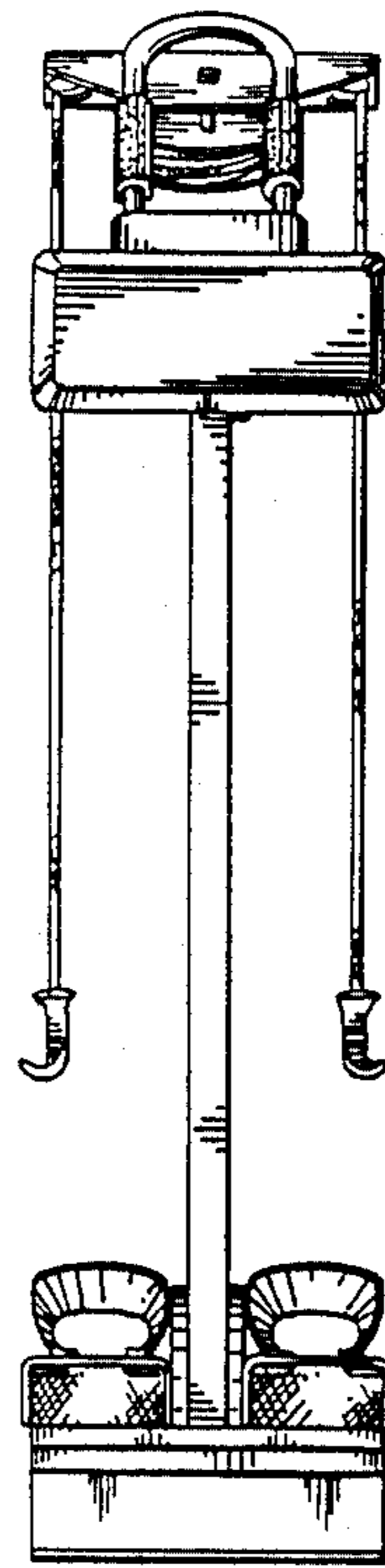


Fig. 6.

UNITED STATES PATENT AND TRADEMARK OFFICE
CERTIFICATE OF CORRECTION

PATENT NO. : Des. 299,369

Page 1 of 2

DATED : January 10, 1989

INVENTOR(S) : Smith et al.

It is certified that error appears in the above-identified patent and that said Letters Patent is hereby corrected as shown below: Title page:

in the "References Cited" section, add the following references:

U.S. Patent Documents			
2,274,081	2/1942	Mautin	272/57
3,408,067	10/1968	Armstrong	272/16
3,455,550	7/1969	Hall	272/57
3,475,021	10/1969	Ruegsegger	272/57
3,711,089	1/1973	Reinhard	272/57
3,711,090	1/1973	Fiedler	272/69
3,941,377	3/1976	Lie	272/57
4,023,795	5/1977	Pauls	272/97
4,423,864	1/1984	Wiik	272/97
4,434,981	3/1984	Norton	272/97
4,512,571	4/1985	Hermelin	272/126
4,529,194	7/1985	Haaheim	272/69
4,595,195	6/1986	Miehlich	272/97

Foreign Patent Documents			
338,465	1/1934	Canada	
7003150	1/1970	Germany	

Other Information

Brochure entitled "NordicTrick Jarless Total Body Cardiovascular Exerciser," PSI-NordicTrack Company, Chaska, MN (1984)

Brochure Entitled "Fit 1 for those who demand the best," Fit 1, Canton, Ohio

UNITED STATES PATENT AND TRADEMARK OFFICE
CERTIFICATE OF CORRECTION

PATENT NO. : Des. 299,369

Page 2 of 2

DATED : January 10, 1989

INVENTOR(S) : Smith et al.

It is certified that error appears in the above-identified patent and that said Letters Patent is hereby corrected as shown below:

Brochure entitled "Fitness Master," Fitness Master, Inc.,
Chanhassen, MN (1985)

**Signed and Sealed this
Thirteenth Day of June, 1989**

Attest:

DONALD J. QUIGG

Attesting Officer

Commissioner of Patents and Trademarks