

[54] **TOY VEHICLE**

[75] **Inventor:** Ying K. Chan, Hong Kong, Hong Kong

[73] **Assignee:** Scientific Toys Limited, Chai Wan, Hong Kong

[**] **Term:** 14 Years

[21] **Appl. No.:** 897,669

[22] **Filed:** Aug. 18, 1986

[30] **Foreign Application Priority Data**

Jun. 16, 1986 [GB] United Kingdom 1034804

[52] **U.S. Cl.** D21/134

[58] **Field of Search** D21/128-140;
D12/97, 96; 446/465, 466, 468, 469, 470, 471,
434

[56] **References Cited**

U.S. PATENT DOCUMENTS

D. 229,403 11/1973 Ford et al. D12/97

D. 291,816 9/1987 Bollinger et al. D21/134

OTHER PUBLICATIONS

Tonka Toy Catalog-1984, p. 21, Toy Truck.
Hong Kong Toys, 1984, p. 14, Toy Truck at top of page.

Primary Examiner—Charles A. Rademaker
Attorney, Agent, or Firm—Vaden, Eickenroht,
Thompson & Boulware

[57] **CLAIM**

The ornamental design for a toy vehicle, as shown.

DESCRIPTION

FIG. 1 is a front perspective view of a toy vehicle showing my new design;

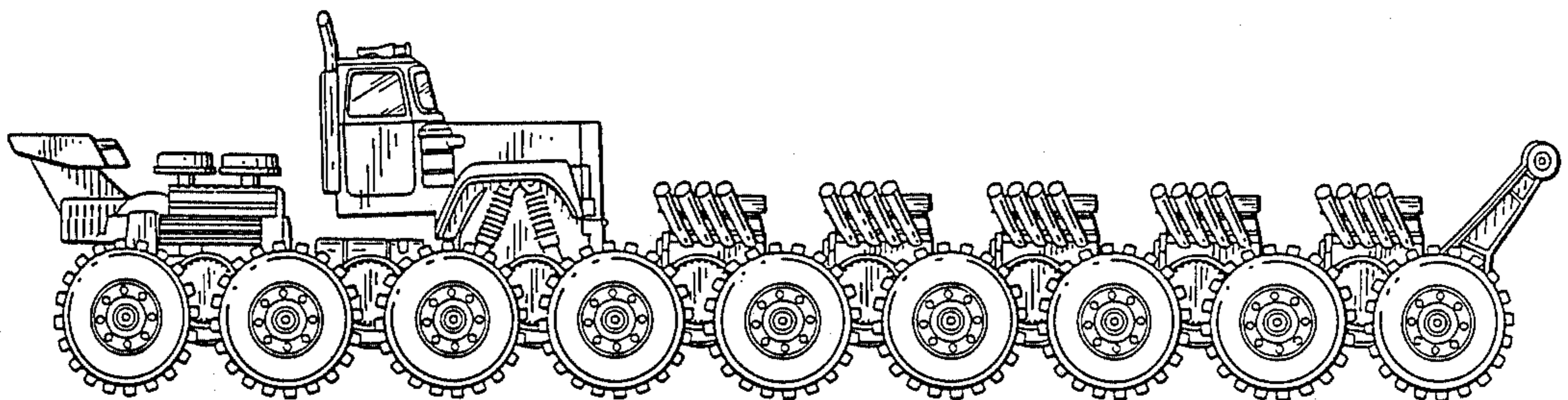
FIG. 2 is a rear perspective view thereof;

FIG. 3 is a side elevational view thereof;

FIG. 4 is a side elevational view of the side opposite that shown in FIG. 3;

FIG. 5 is a bottom plan view thereof; and

FIG. 6 is a top plan view thereof.



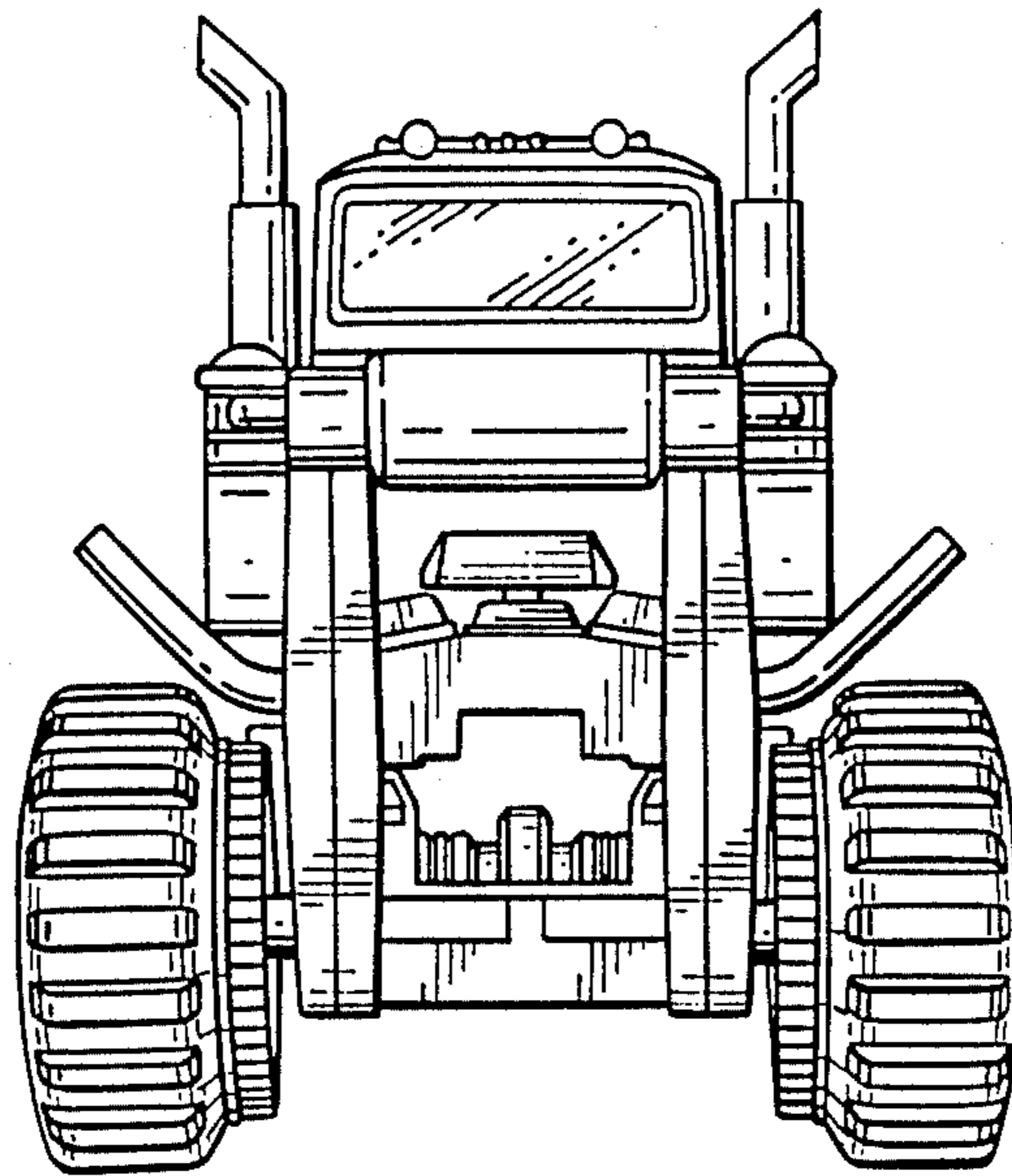


FIG. 1.

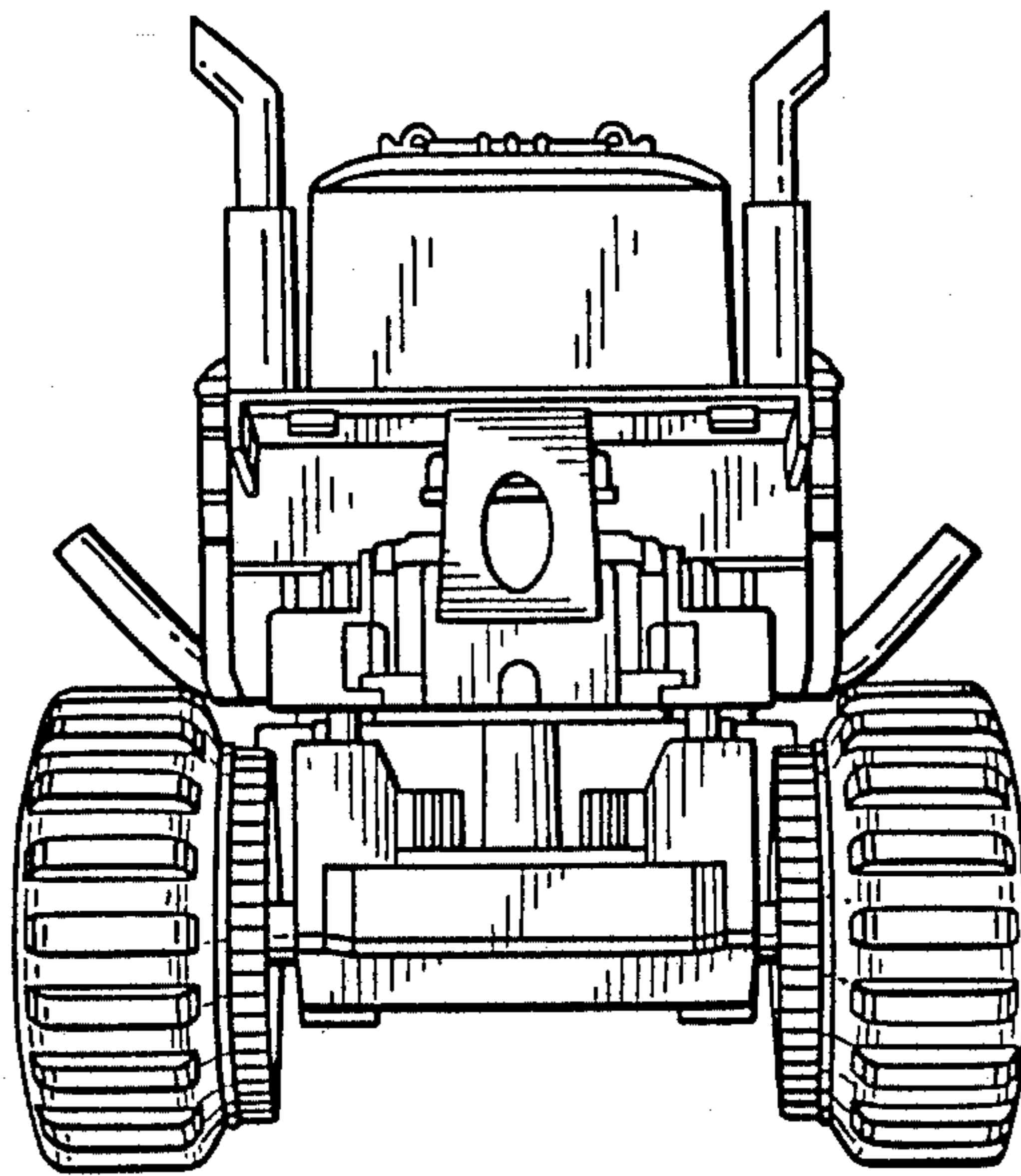


FIG. 2.

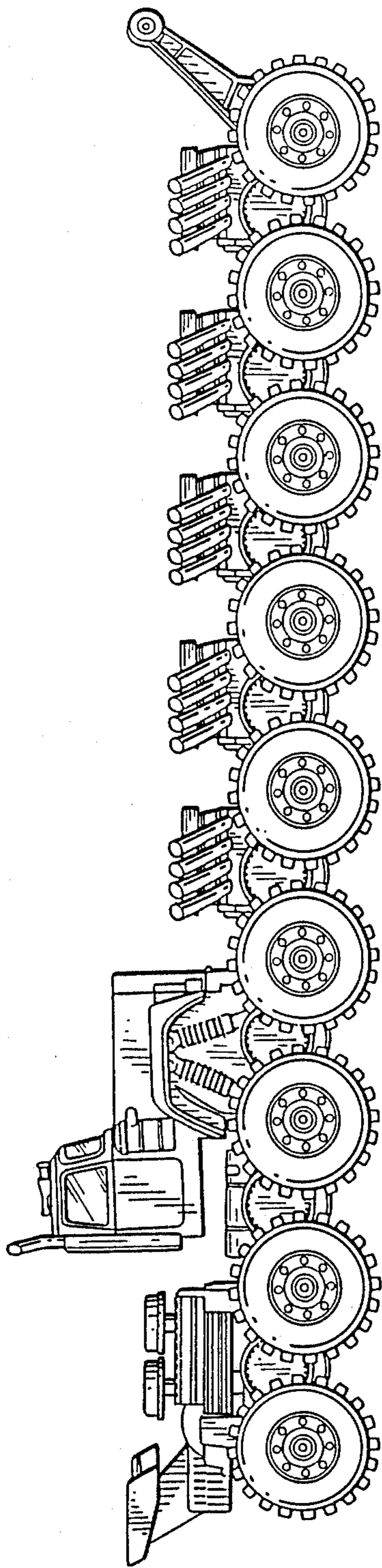


FIG. 3.

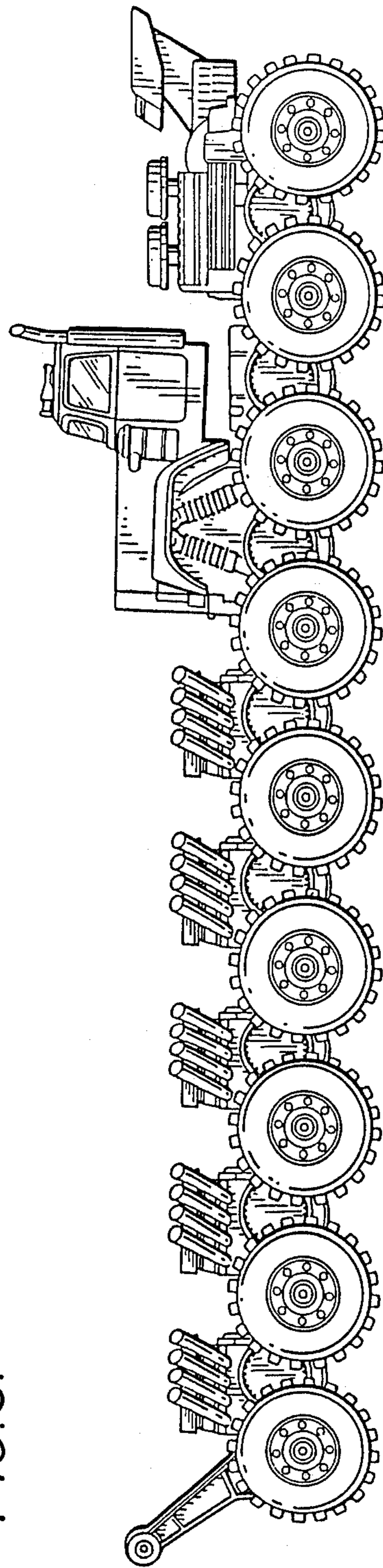


FIG. 4.

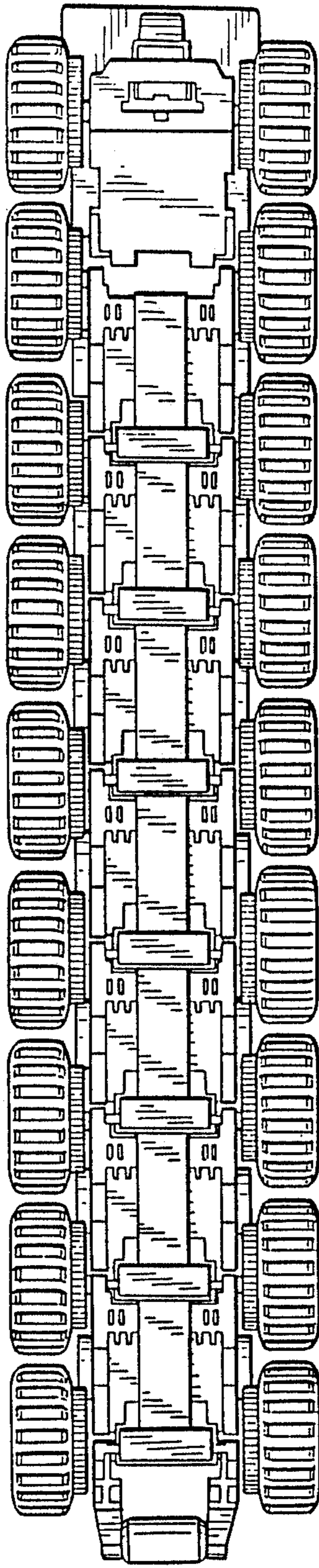


FIG. 5.

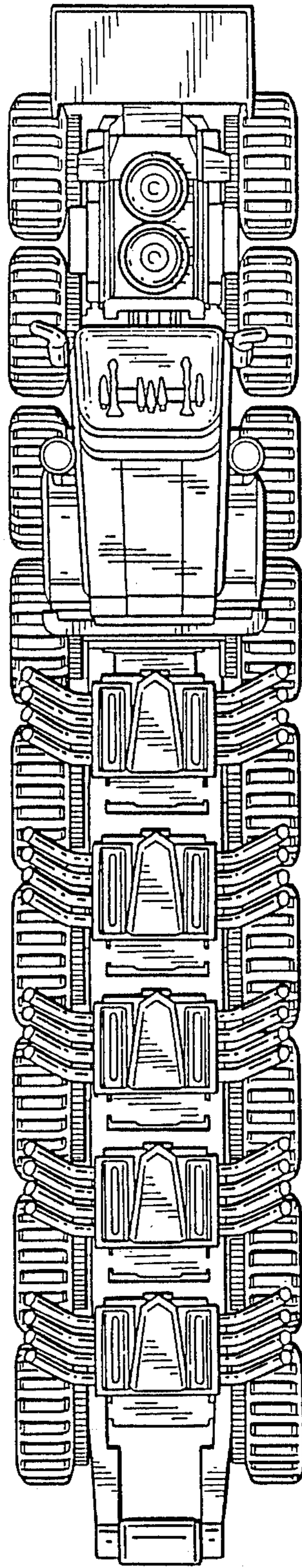


FIG. 6.