

[54] PUZZLE

[76] Inventor: Merrill G. Arnold, 3201 Wenatchee Ave., Bakersfield, Calif. 93306

[**] Term: 14 Years

[21] Appl. No.: 855,785

[22] Filed: Apr. 18, 1986

[52] U.S. Cl. D21/104; D21/129

[58] Field of Search D21/104-107, D21/59, 129; 273/156, 153 R, 157 R

[56] References Cited

U.S. PATENT DOCUMENTS

- D. 170,427 9/1953 Peterson D21/105
- D. 254,917 5/1980 Council D21/59
- 2,617,654 11/1952 Nolan et al. D21/107

Primary Examiner—Charles A. Rademaker

Attorney, Agent, or Firm—Terry M. Gernstein

[57] CLAIM

The ornamental design for a puzzle, as shown and described.

DESCRIPTION

FIG. 1 is a perspective view of a puzzle showing my new design;

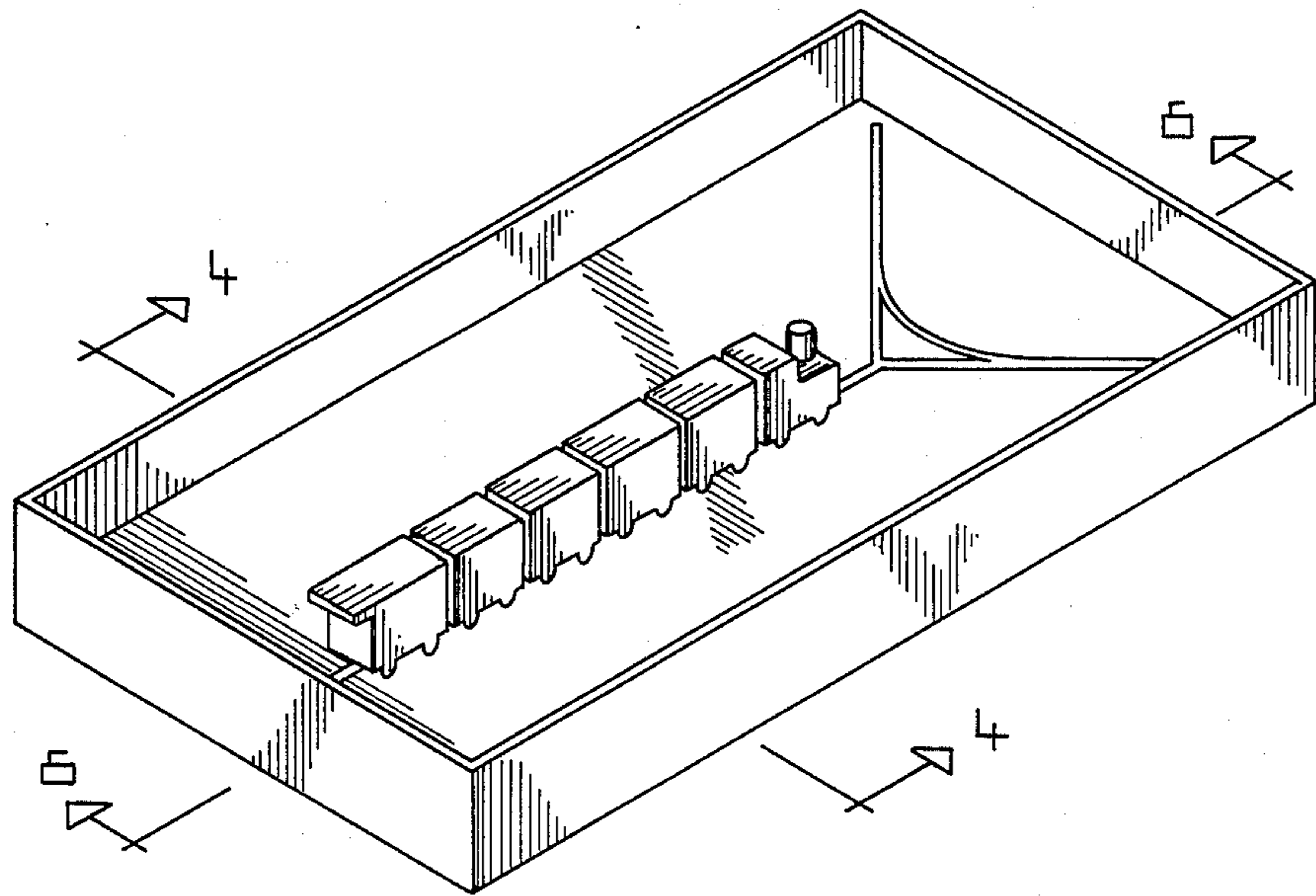
FIG. 2 is a side elevational view thereof, the side opposite being the same;

FIG. 3 is an end elevational view thereof, the end opposite being the same;

FIG. 4 is a cross-sectional view taken along line 4—4 in FIG. 1 shown on an enlarged scale and partially in fragment;

FIG. 5 is a top plan view thereof; and

FIG. 6 is a cross-sectional view thereof taken along line 6—6 in FIG. 1 shown on an enlarged scale and partially in fragment.



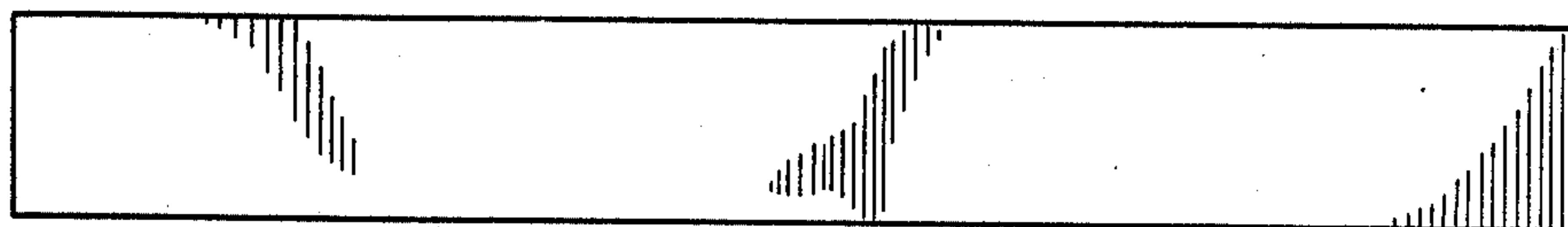
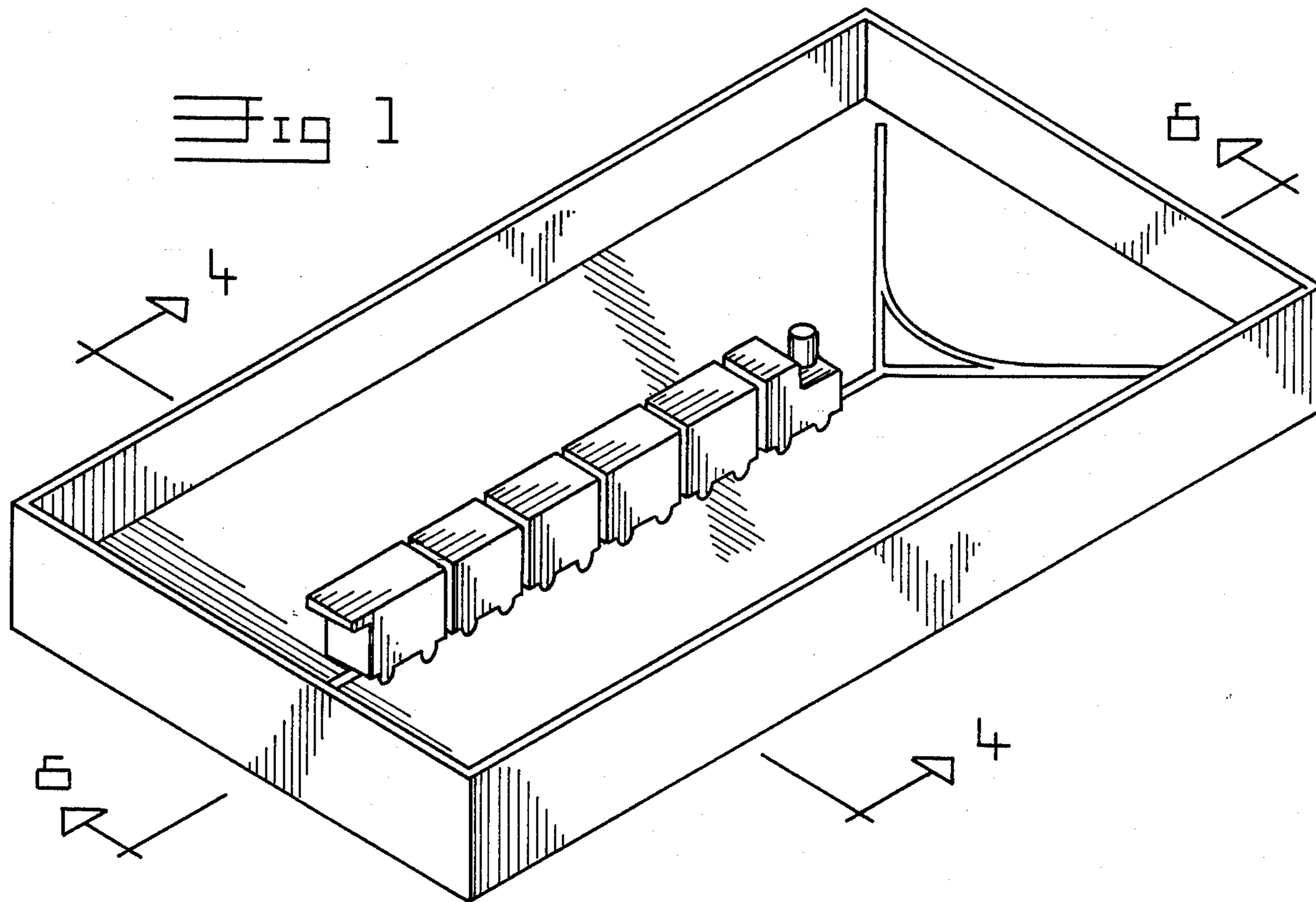


Fig 2

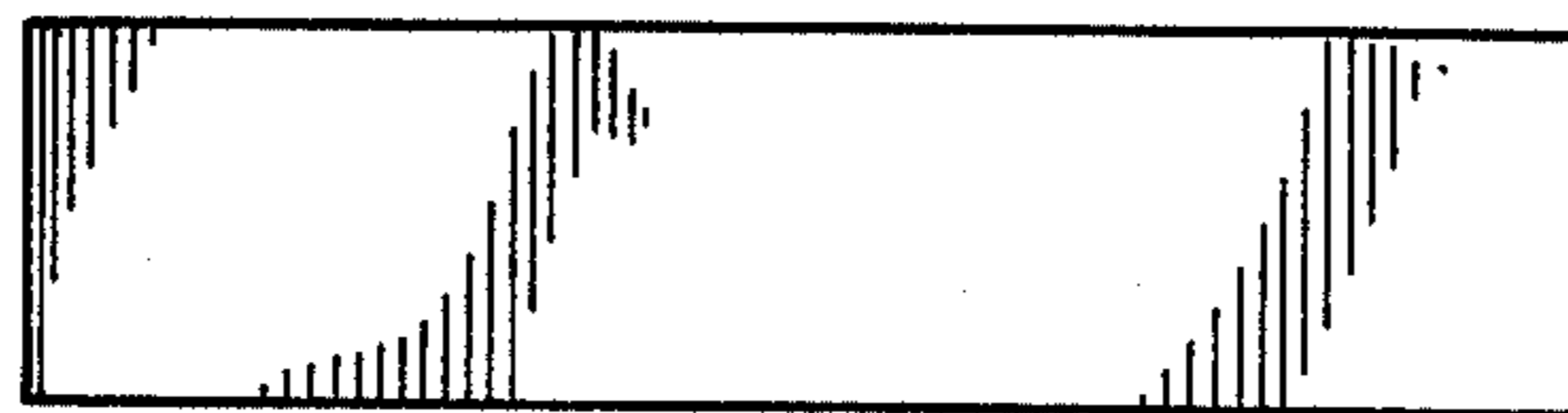


Fig 3

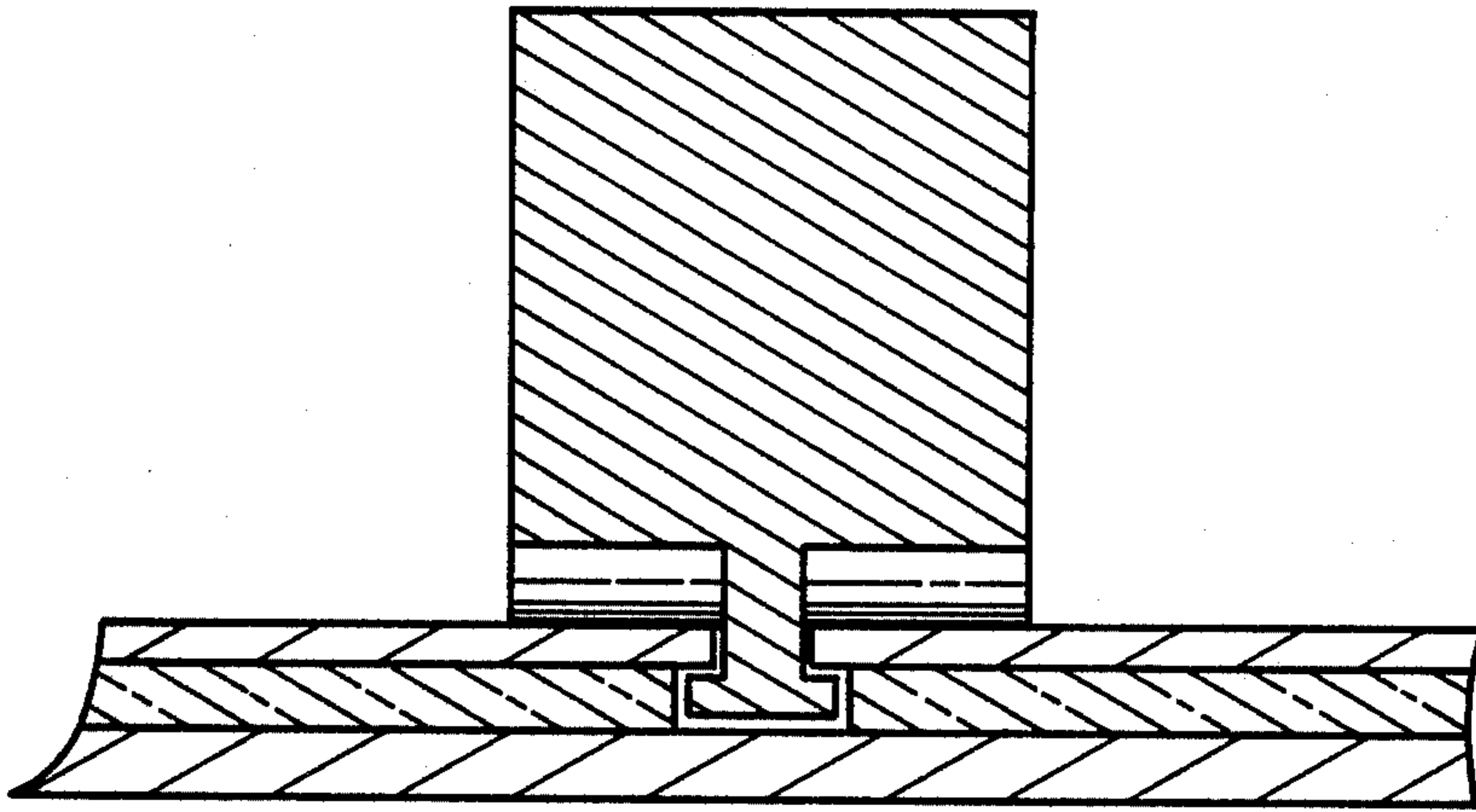


Fig. 4

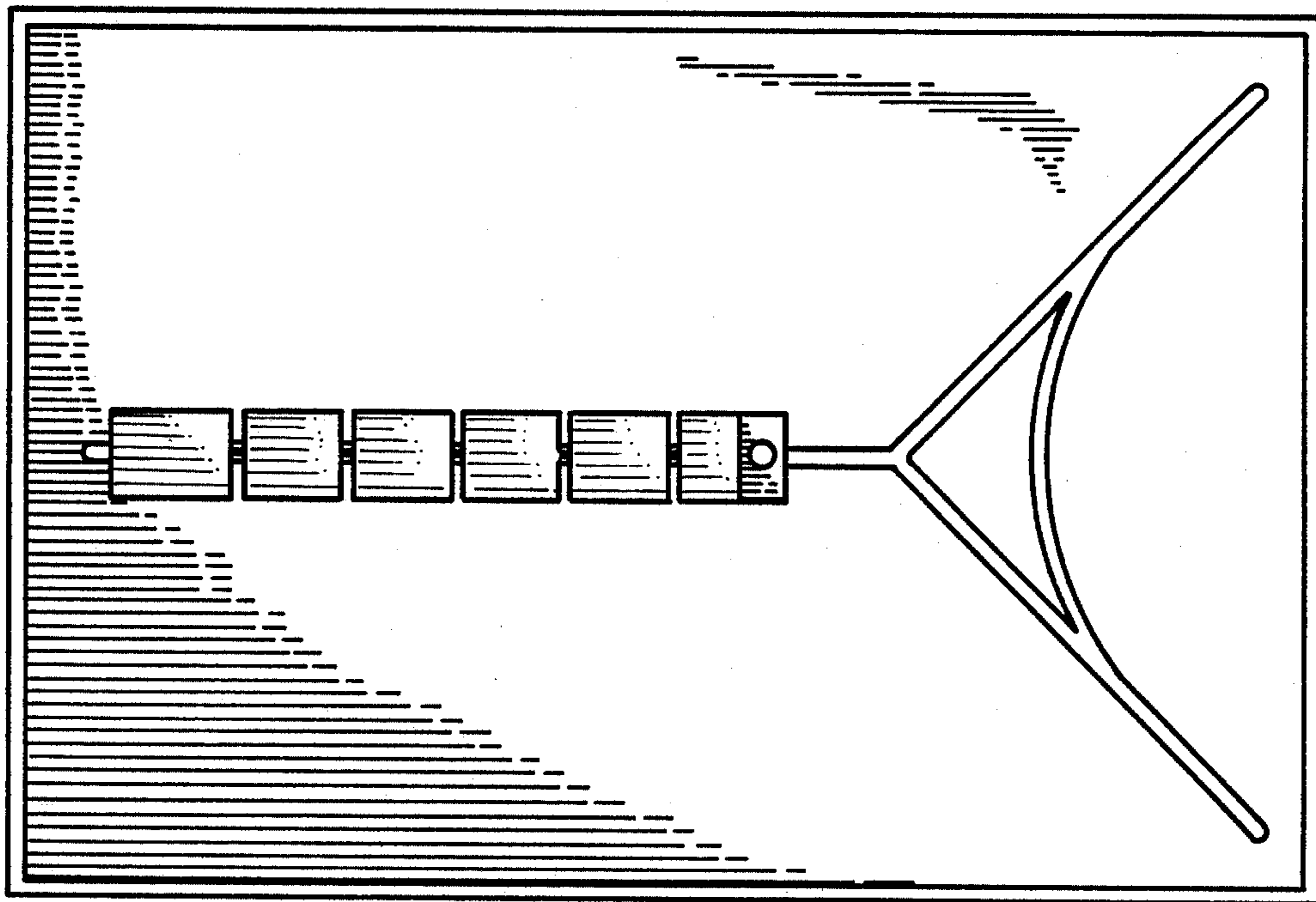


Fig. 5

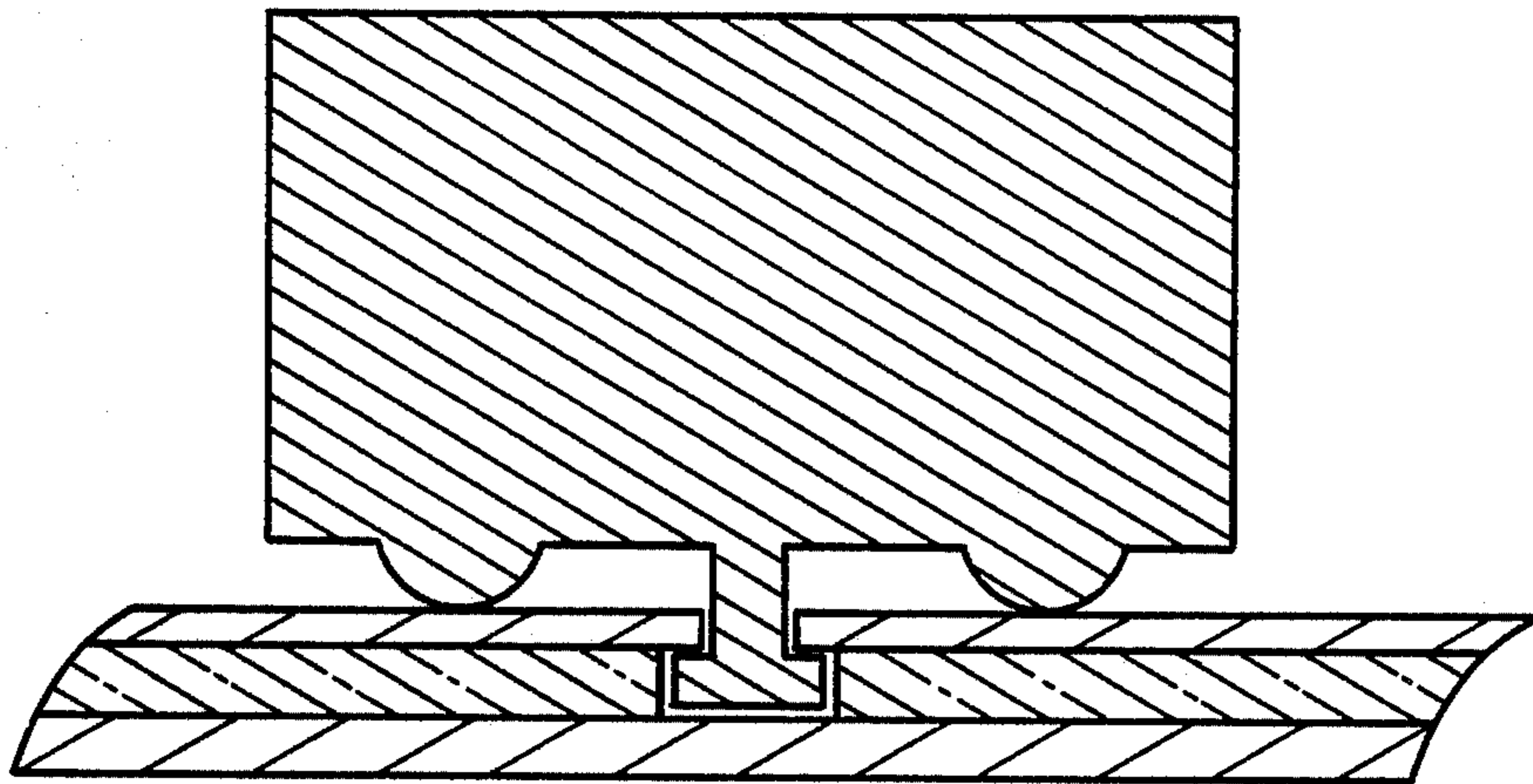


Fig. 6