

[54] **HAND HOLDABLE AQUATIC EXERCISER**

[76] **Inventor:** Patrick M. Greeley, 900 Avon St.,
Charlottesville, Va. 22901

[**] **Term:** 14 Years

[21] **Appl. No.:** 841,370

[22] **Filed:** Mar. 3, 1986

[52] **U.S. Cl.** D21/191

[58] **Field of Search** D21/191-199,
D21/237, 238, 239; 272/67, 125, 143, 144, 122,
116, 117

[56] **References Cited**

U.S. PATENT DOCUMENTS

- D. 279,919 7/1985 Bedgood D21/238
D. 286,904 11/1986 Kim D21/238
4,416,451 11/1983 Solloway 272/67

Primary Examiner—Charles A. Rademaker
Attorney, Agent, or Firm—John F. C. Glenn

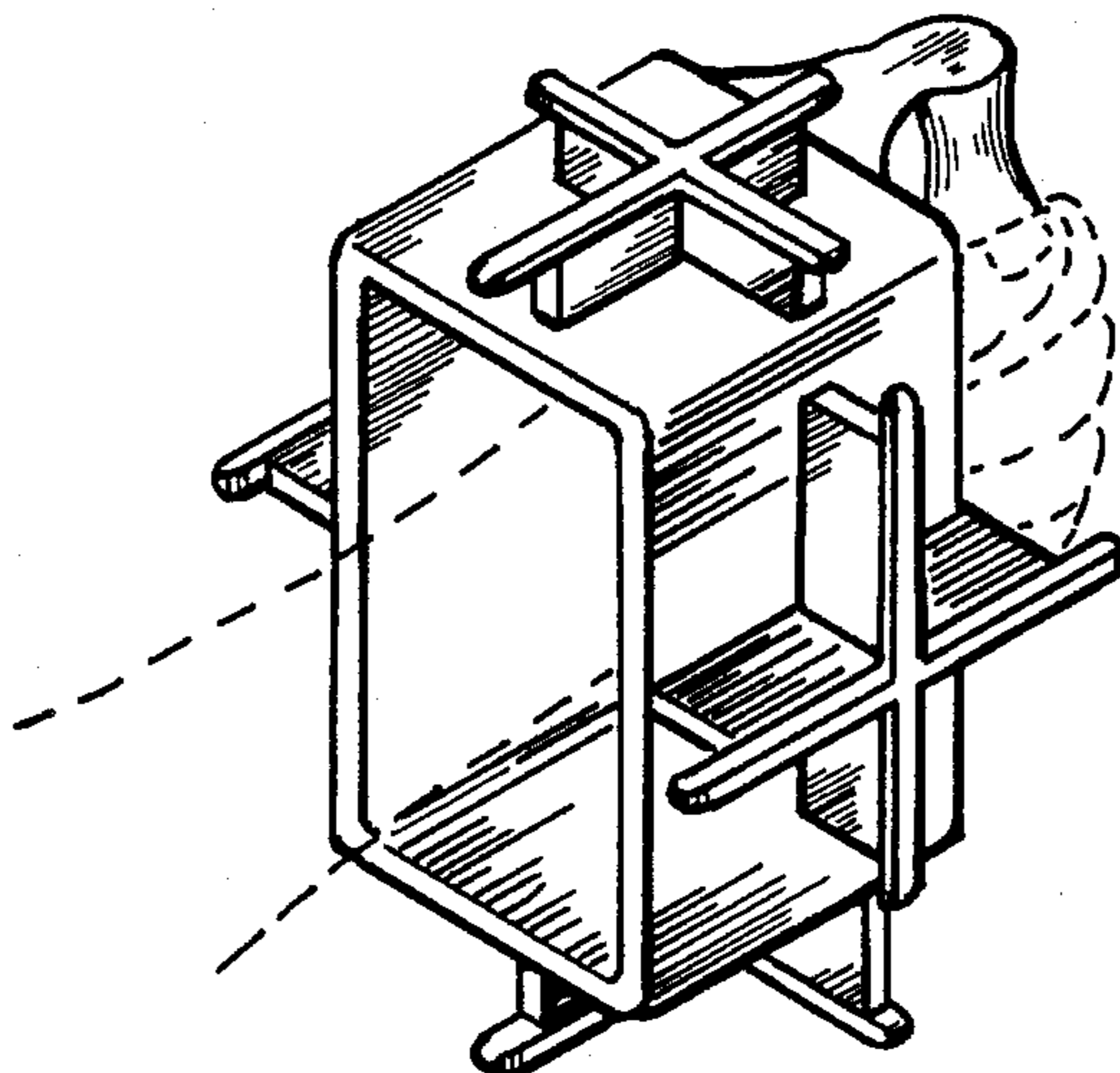
[57] **CLAIM**

The ornamental design for hand holdable aquatic exerciser, as shown and described.

DESCRIPTION

FIG. 1 is a side elevational view of a hand holdable aquatic exerciser showing my new design; FIG. 2 is a left end elevational view thereof; FIG. 3 is a bottom plan view thereof; FIG. 4 is a rear elevational view thereof; FIG. 5 is a perspective view thereof shown on a slightly reduced scale.

The broken line showing of a human hand in FIG. 5 is for illustrative purposes only and forms no part of the claimed design.



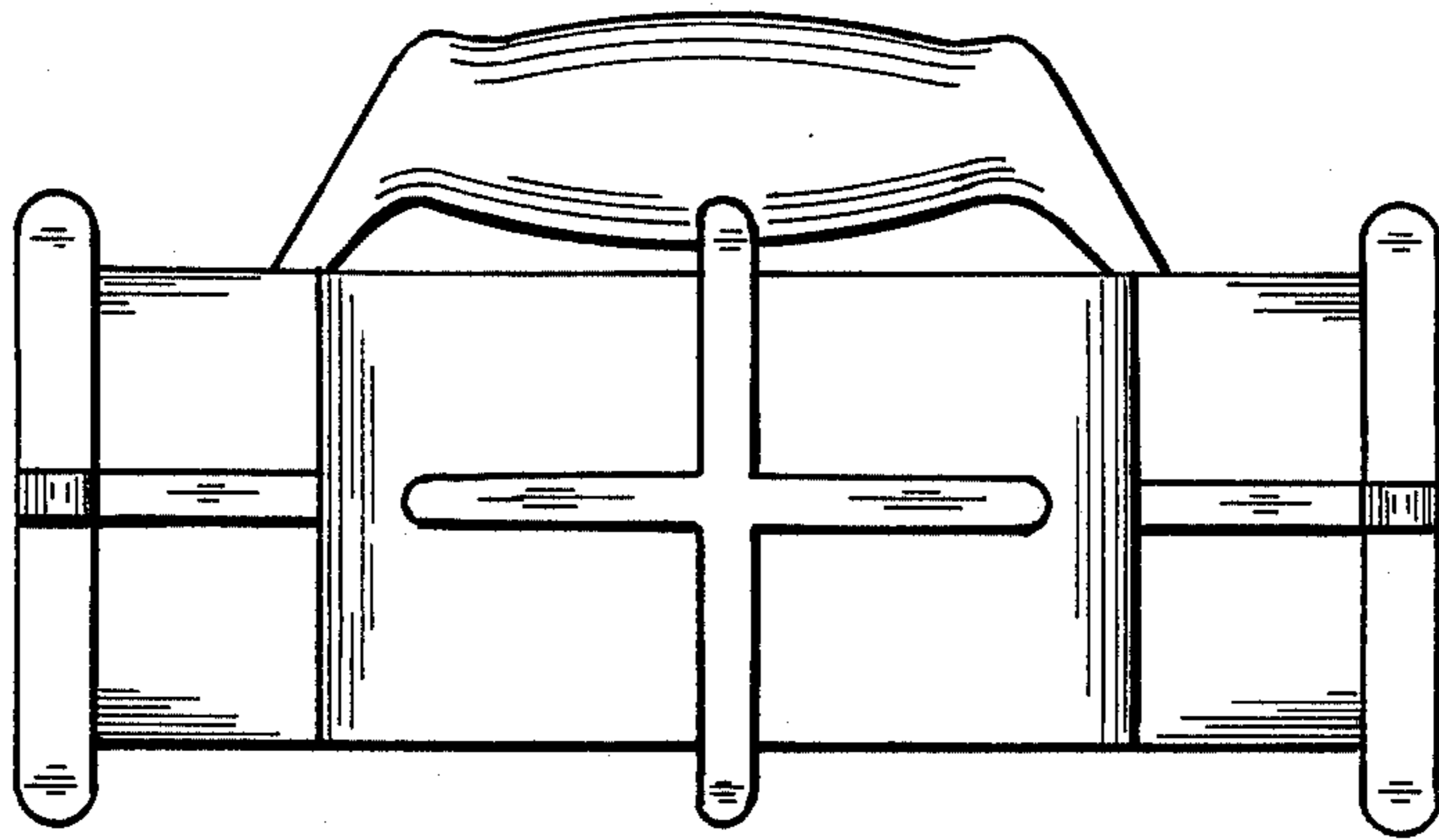


FIG. 1

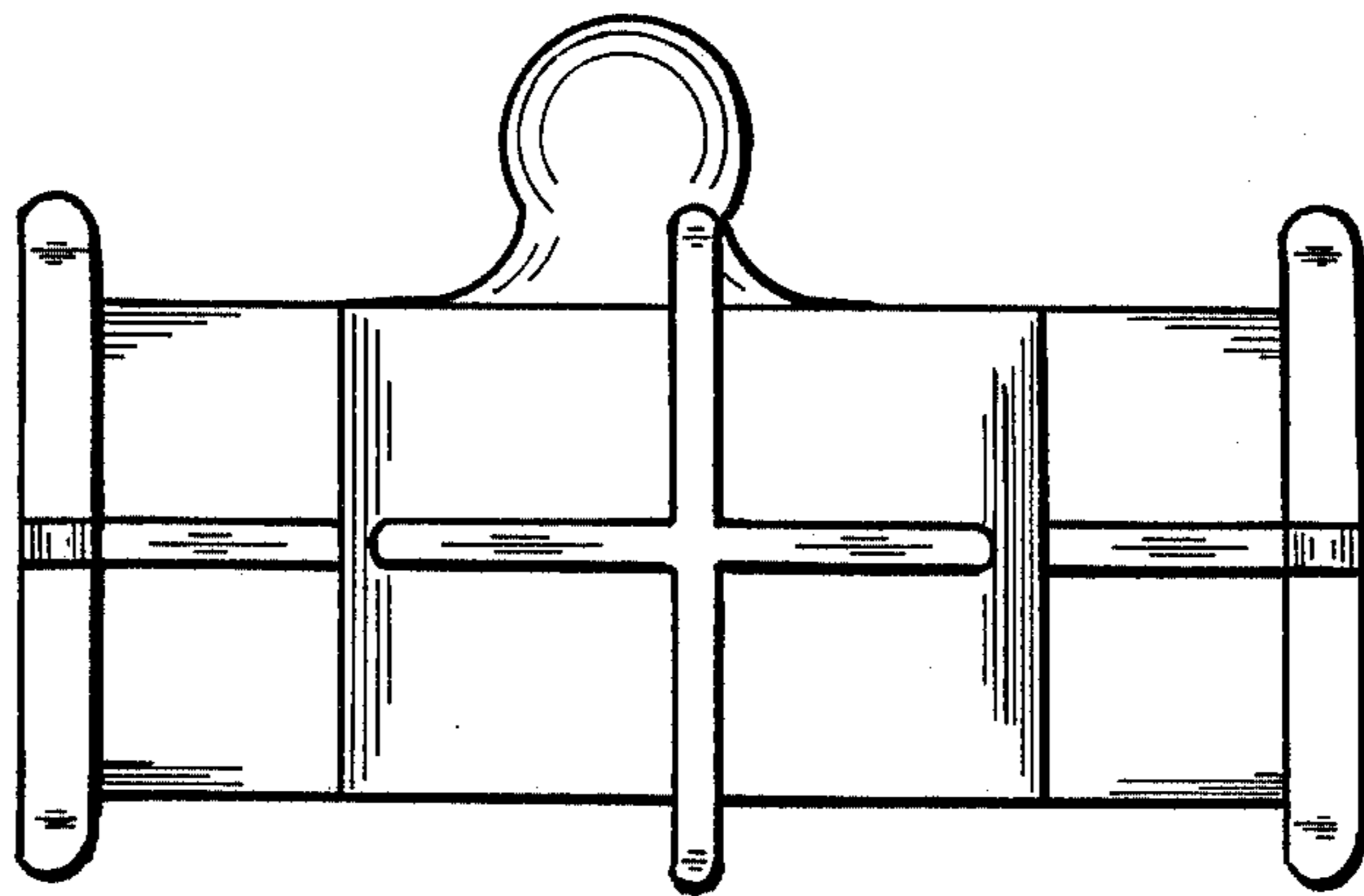


FIG. 2

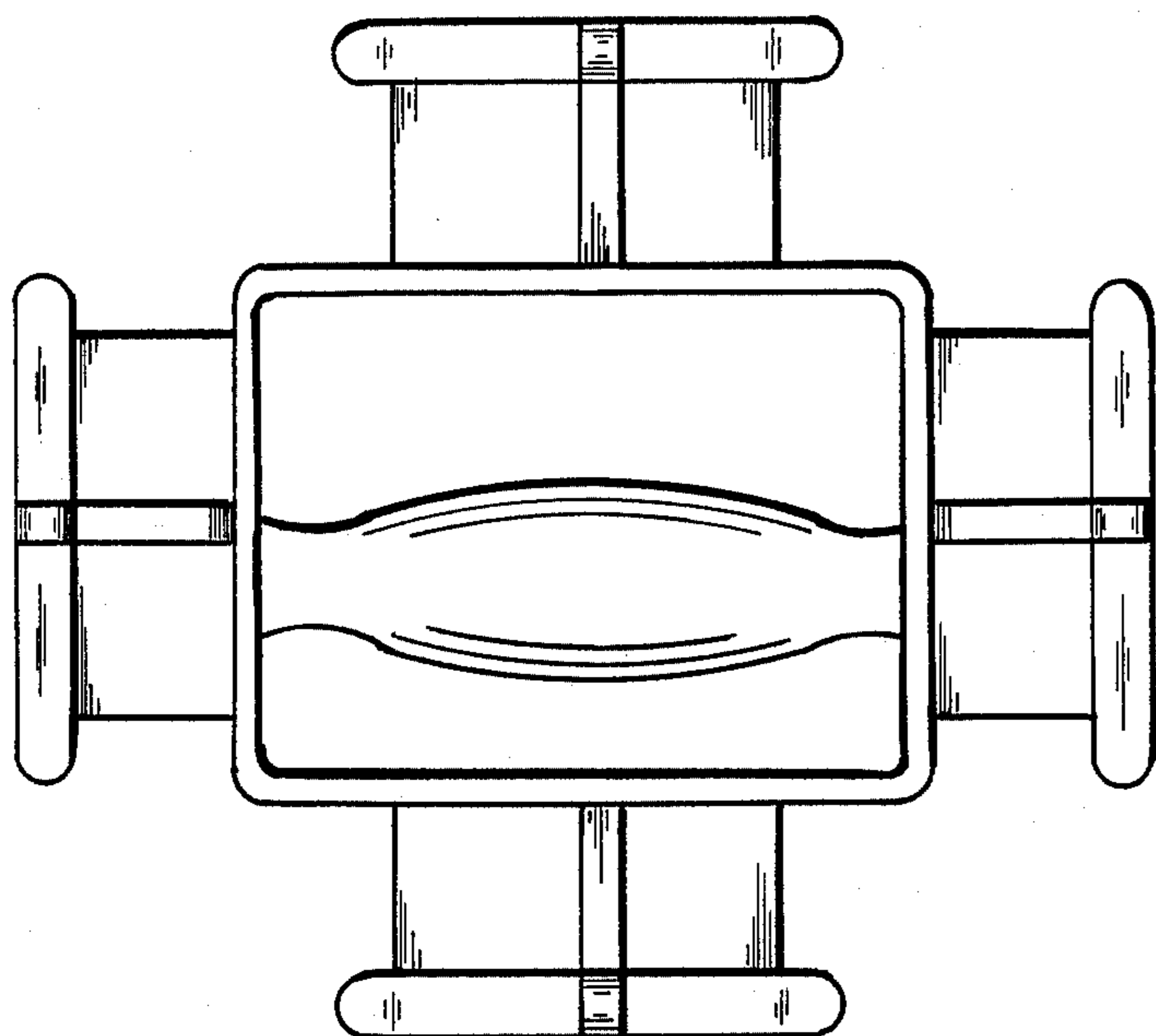


FIG-4

FIG-5

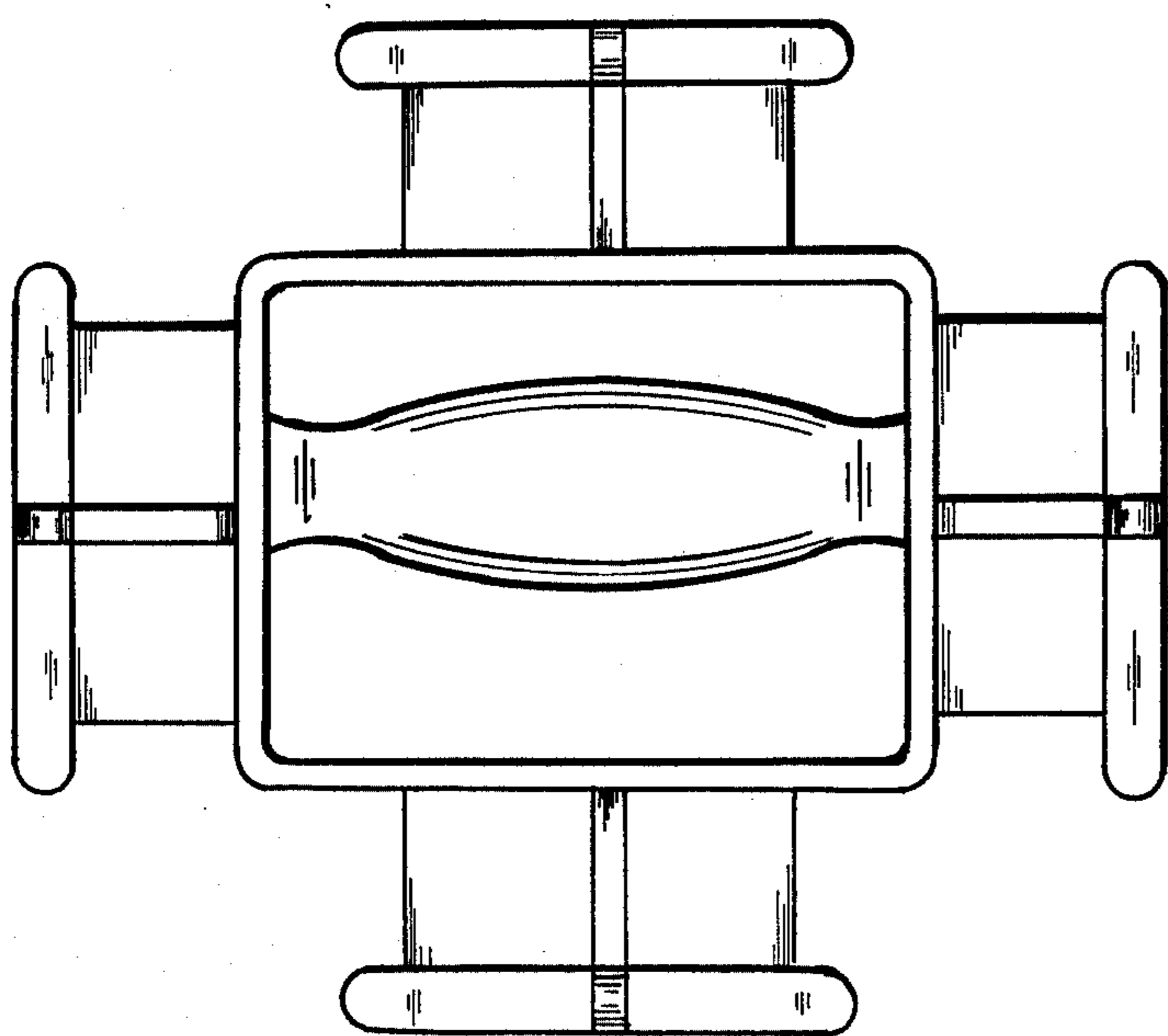
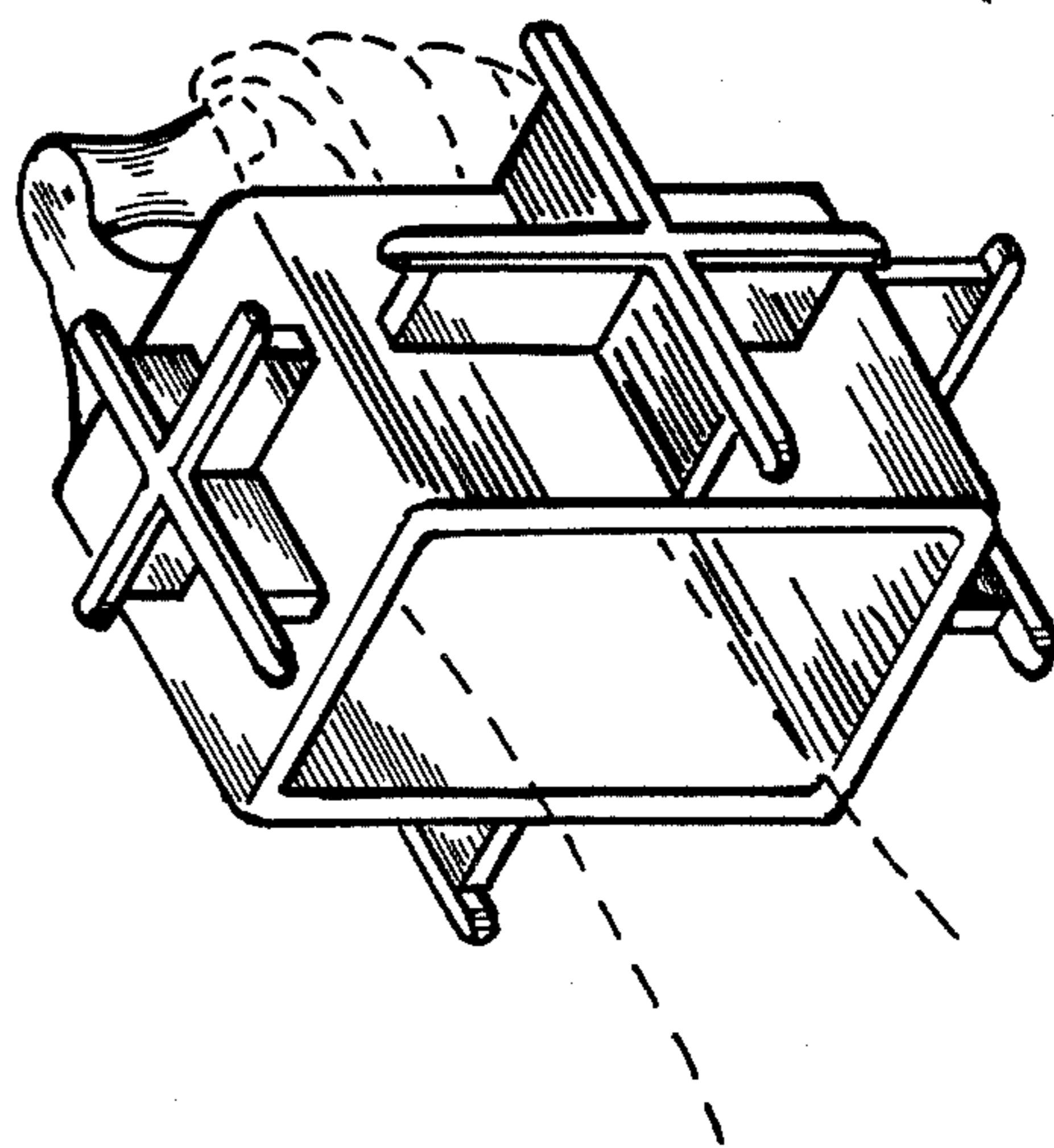


FIG-3