

[54] **HEAD ATTACHED BALL CATCHER**

[76] **Inventor: Vincent Malfitano, 600 Duncan Ave.
S., Clearwater, Fla. 33516**

[**] **Term: 14 Years**

[21] **Appl. No.: 744,037**

[22] **Filed: Jun. 12, 1985**

[52] **U.S. Cl. D21/5; D21/2**

[58] **Field of Search D21/2, 5, 199;
273/DIG. 17, 414, 412**

[56] **References Cited**

U.S. PATENT DOCUMENTS

3,628,794 12/1971 Conture 273/DIG. 17

FOREIGN PATENT DOCUMENTS

1179168 12/1958 France 273/DIG. 17

Primary Examiner—Melvin B. Feifer
Attorney, Agent, or Firm—Terry M. Gernstein

[57] **CLAIM**

The ornamental design for a head attached ball catcher,
as shown and described.

DESCRIPTION

FIG. 1 is a perspective view of a head attached ball
catcher showing my new design;
FIG. 2 is a front elevational view thereof;
FIG. 3 is a side elevational view thereof;
FIG. 4 is a bottom plan view thereof;
FIG. 5 is a top plan view thereof.

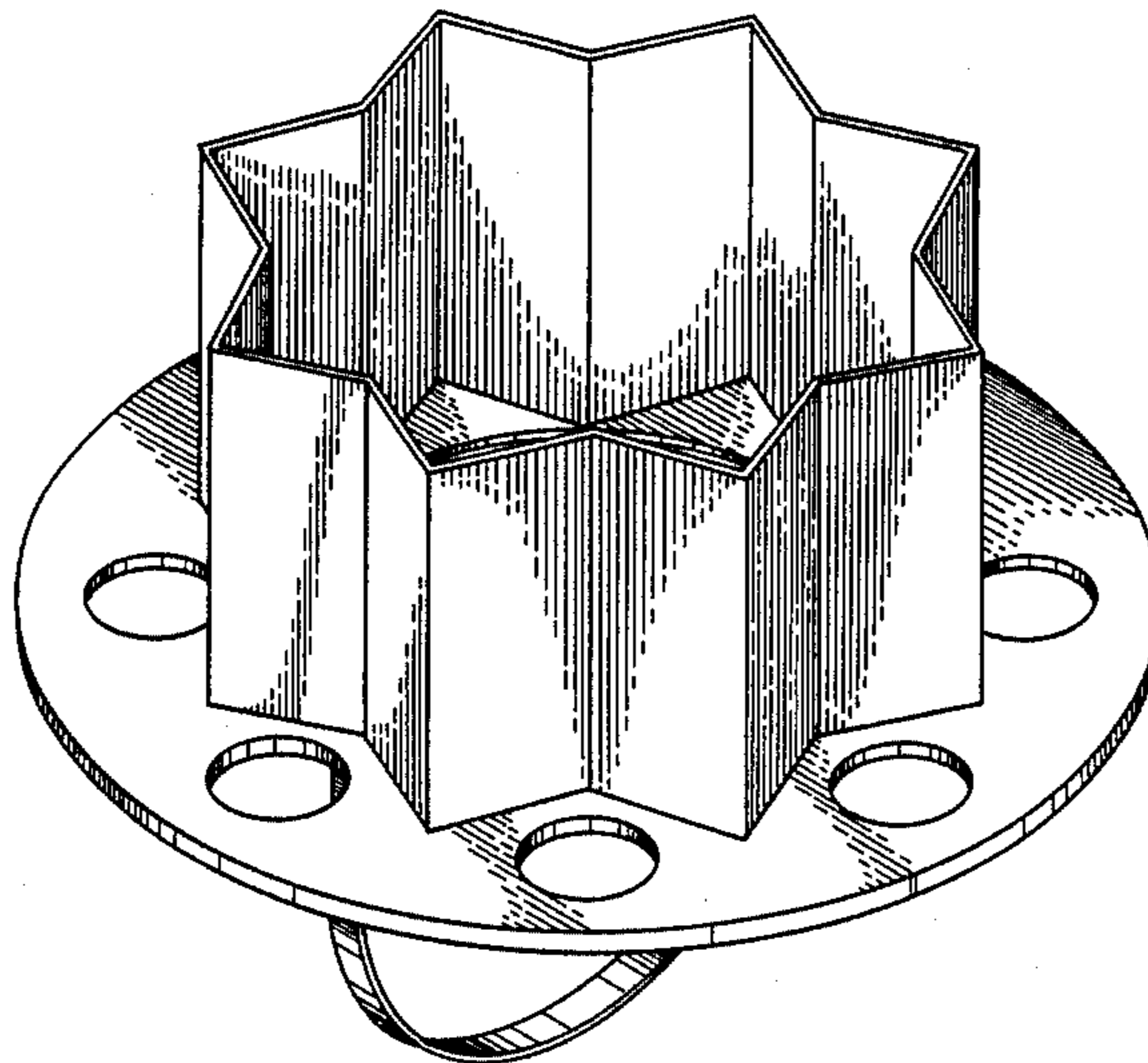


Fig. 1

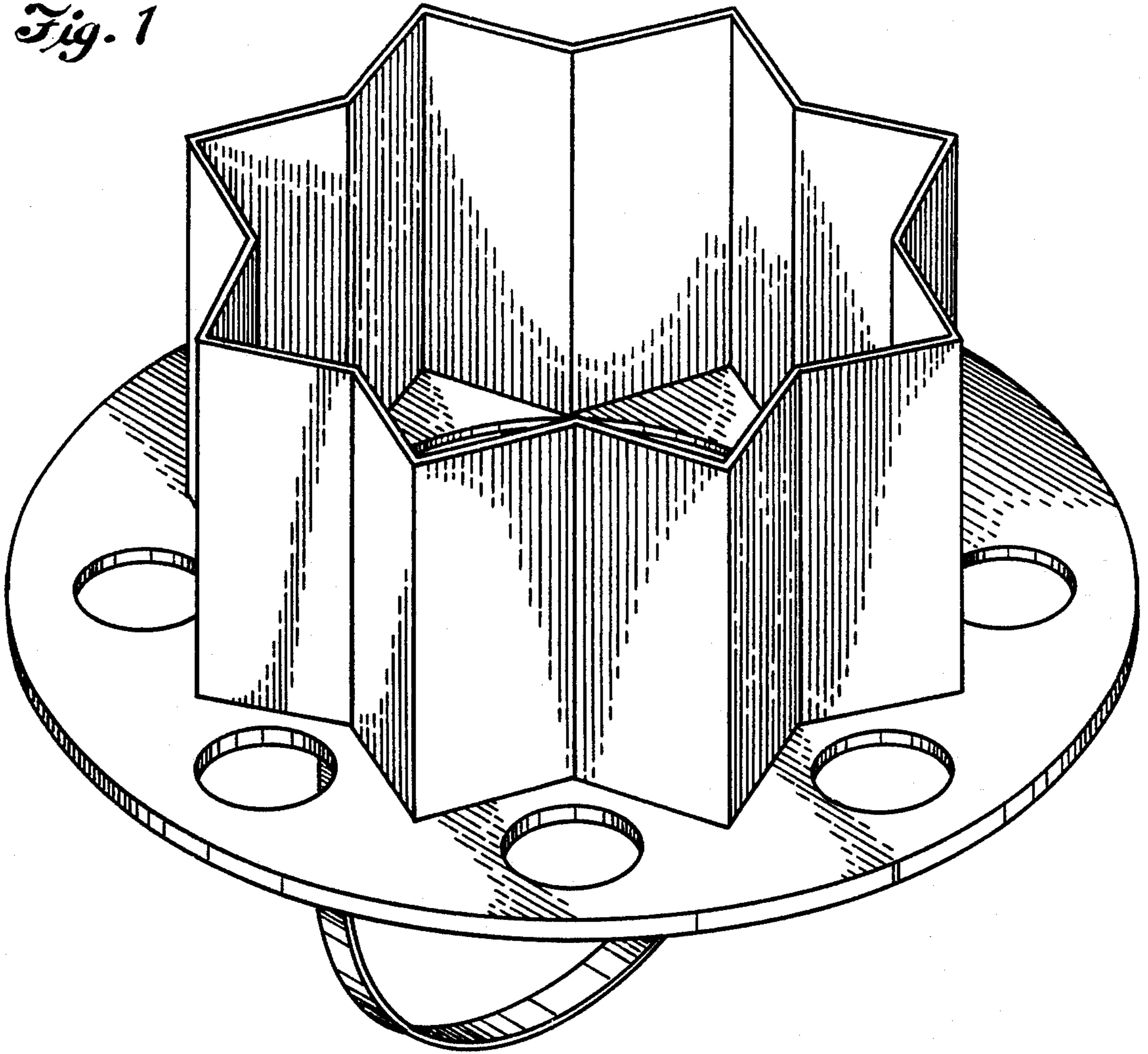


Fig. 2

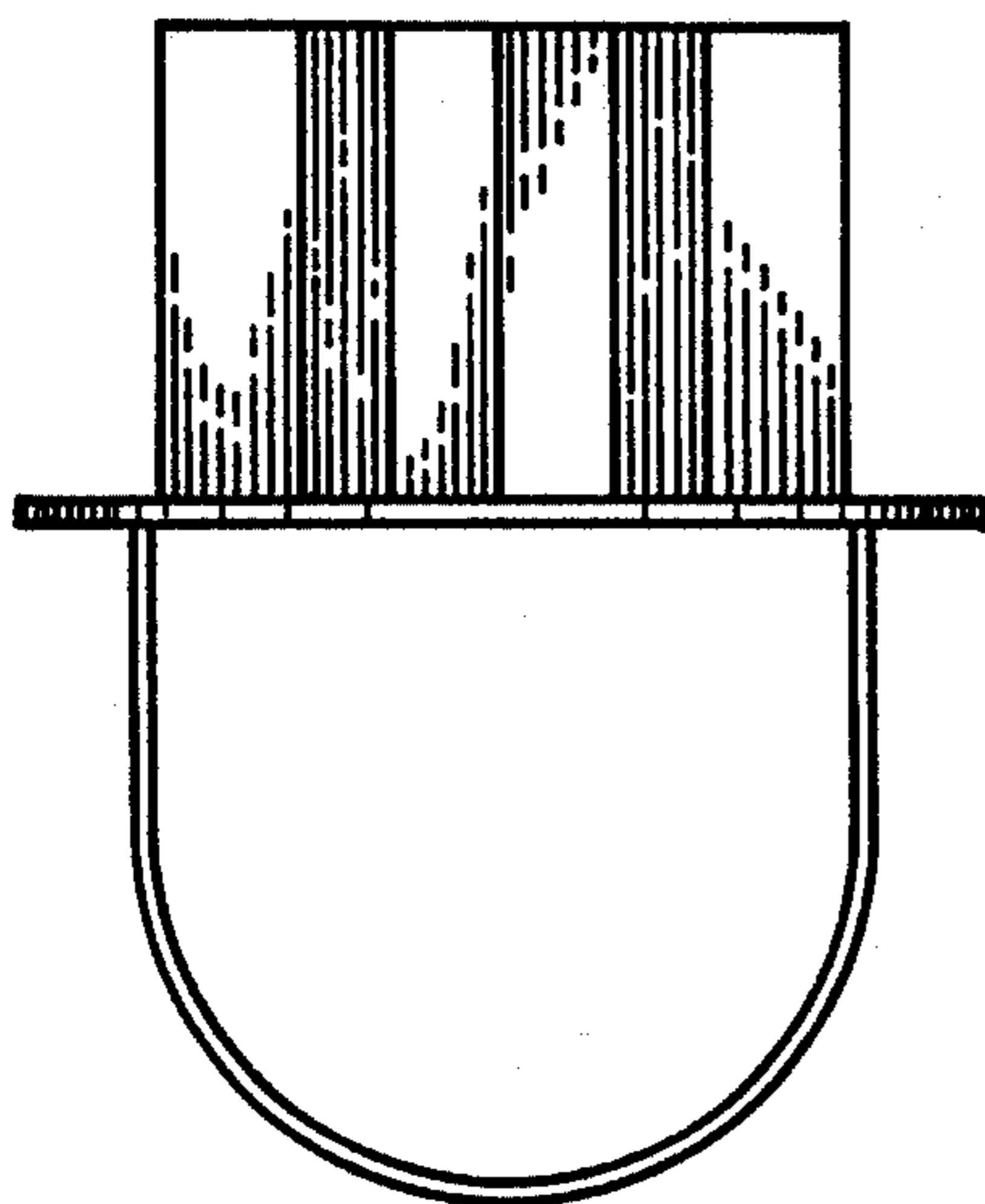
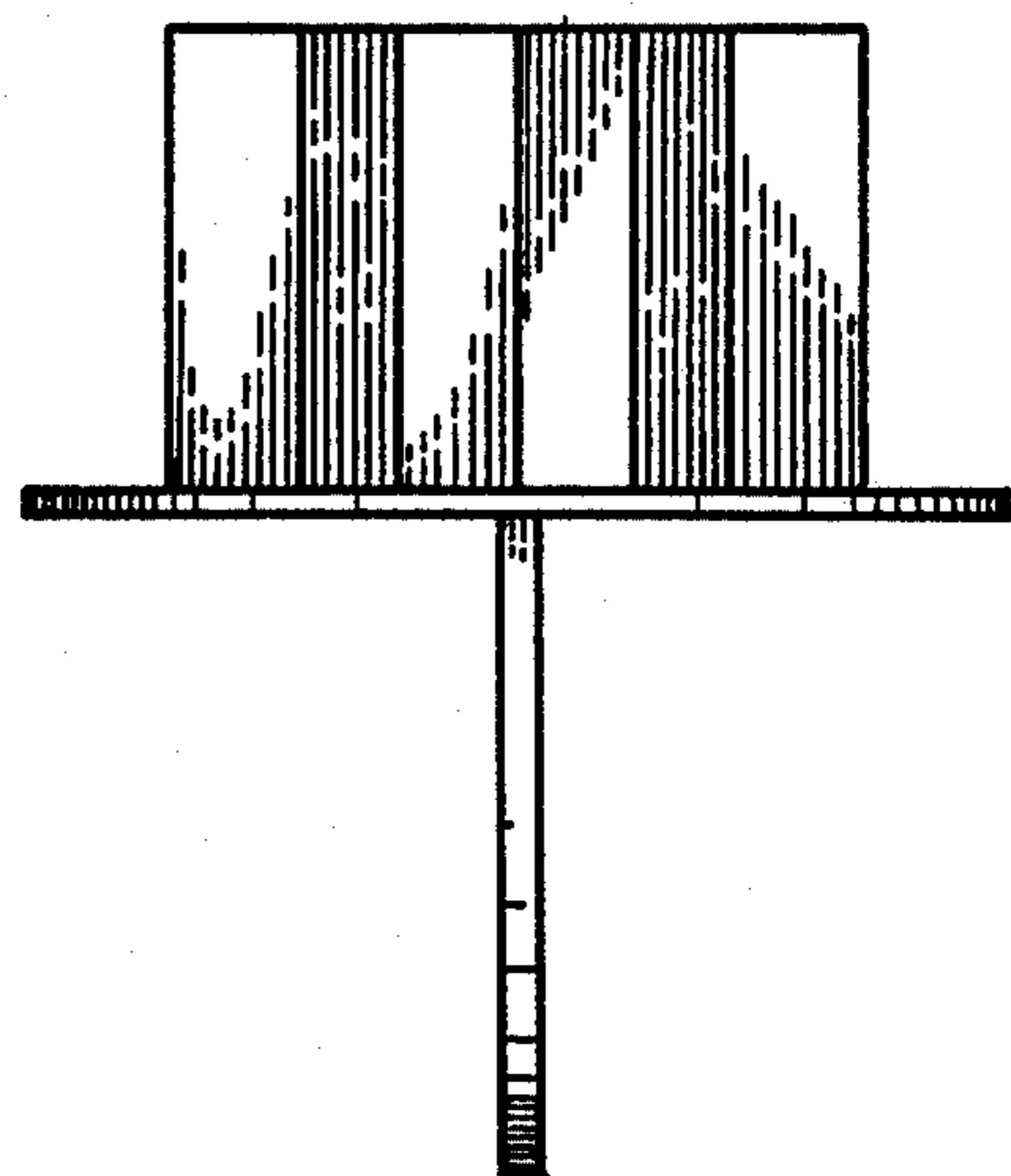


Fig. 3



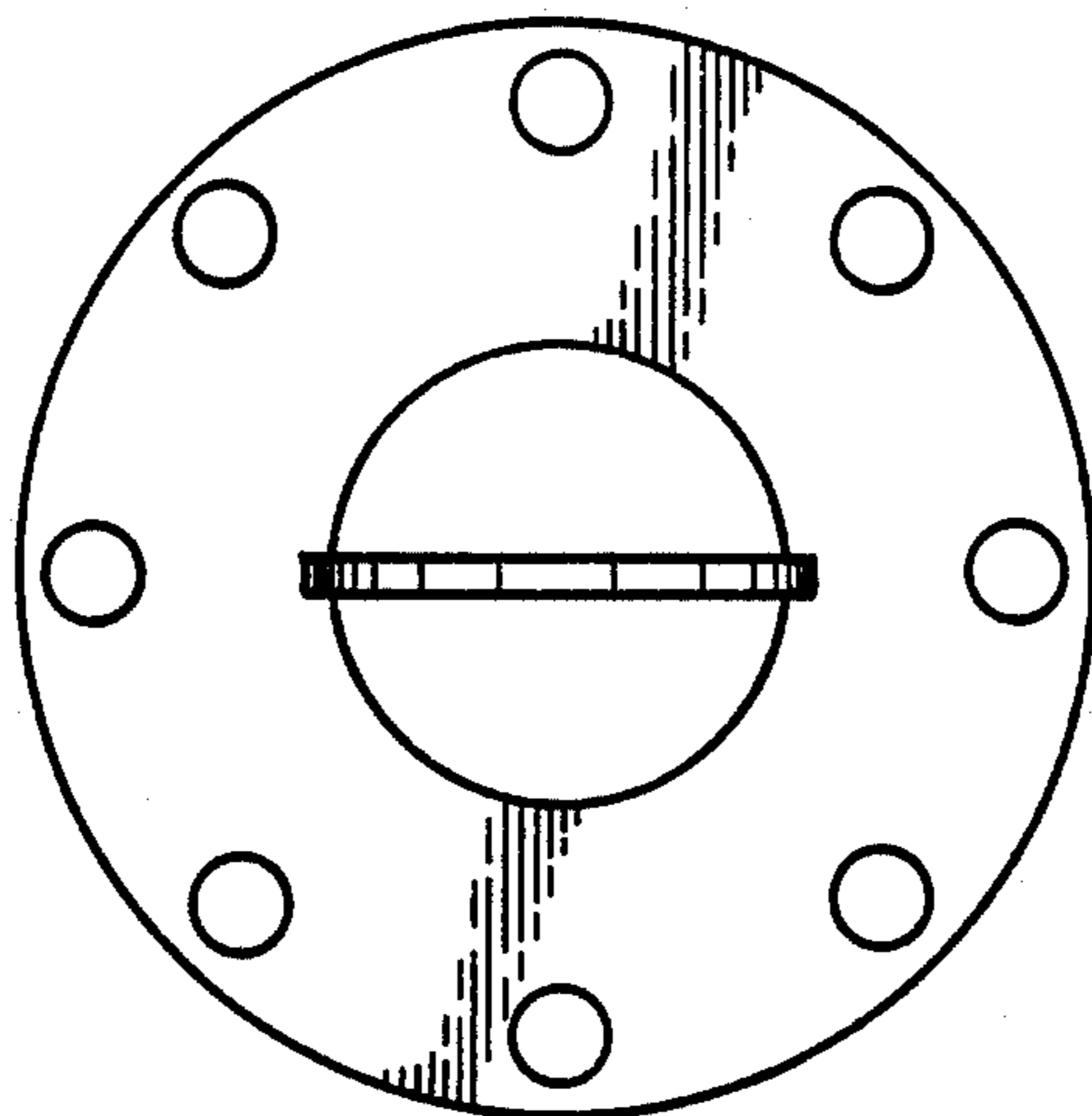


Fig. 4

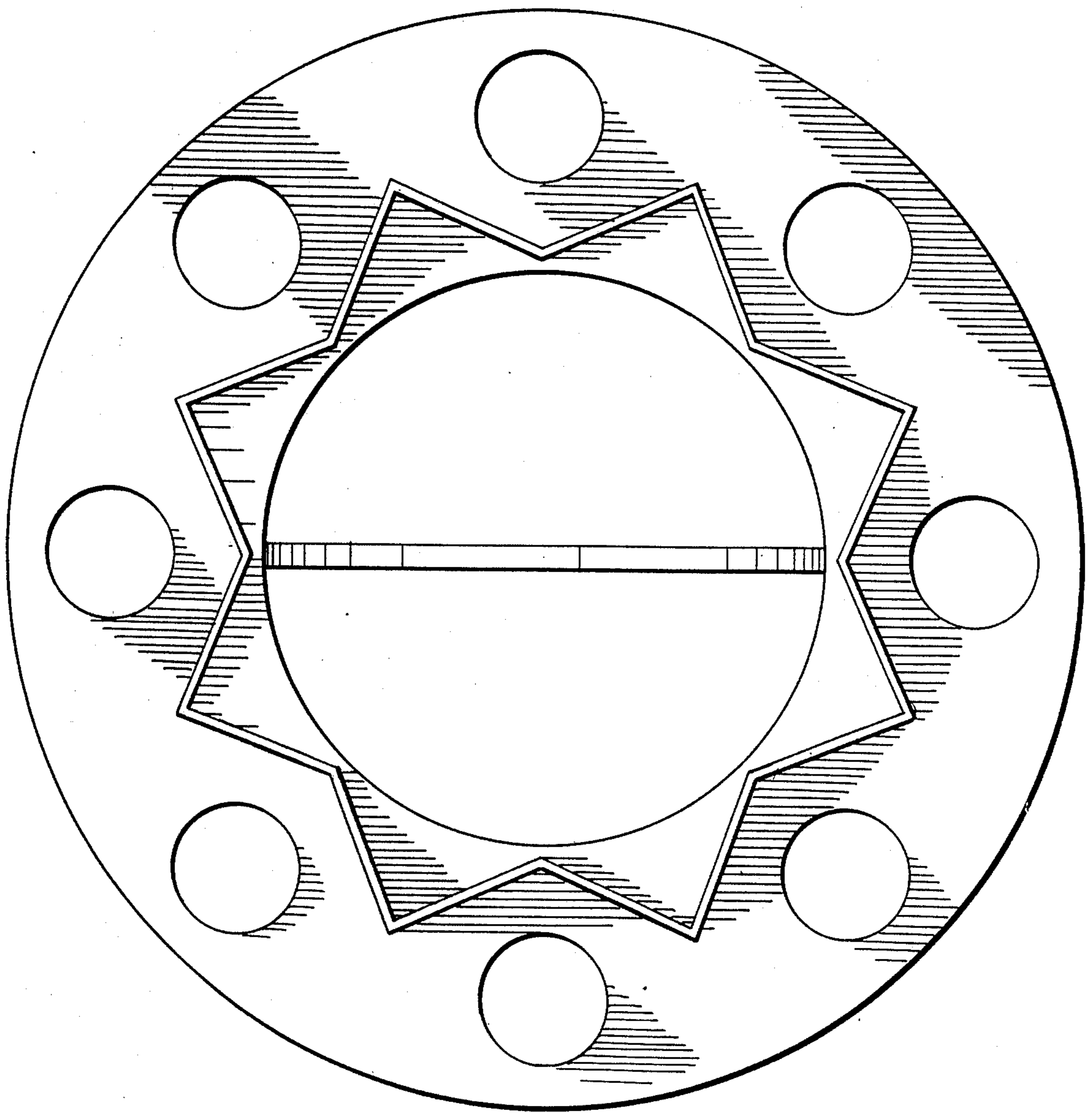


Fig. 5