

[54] LETTER SORTER

[75] Inventor: Arlan D. Lothe, Sun Prairie, Wis.

[73] Assignee: Don Evans, Inc., DeForest, Wis.

[\*\*] Term: 14 Years

[21] Appl. No.: 812,061

[22] Filed: Dec. 23, 1985

[52] U.S. Cl. .... D19/90; D6/407; D19/75

[58] Field of Search ..... D14/65, 75-79, D14/86-88, 90, 92, 95, 99, 100, 85; D6/407, 475; D3/35; D9/347; 211/11, 40, 42, 45, 50, 10; 206/425

[56] References Cited

U.S. PATENT DOCUMENTS

- D. 143,643 1/1946 Burger ..... D19/90
- D. 268,119 3/1983 Evenson ..... D19/85 X

- D. 269,574 7/1983 Dougherty ..... D19/90 X
- D. 270,256 8/1983 Sankey ..... D19/90 X
- 660,541 10/1900 Field ..... 211/11
- 4,438,852 3/1984 Evans ..... D19/92 X

Primary Examiner—Bernard Ansher  
Assistant Examiner—Theodore M. Shooman  
Attorney, Agent, or Firm—Lathrop & Clark

[57] CLAIM

The ornamental design for a letter sorter, as shown and described.

DESCRIPTION

FIG. 1 is a top, front and left side perspective view of a letter sorter showing my new design;  
FIG. 2 is a top plan view thereof;  
FIG. 3 is a front elevational view thereof, the rear being identical;  
FIG. 4 is a left side elevational view thereof; and,  
FIG. 5 is a bottom plan view thereof.

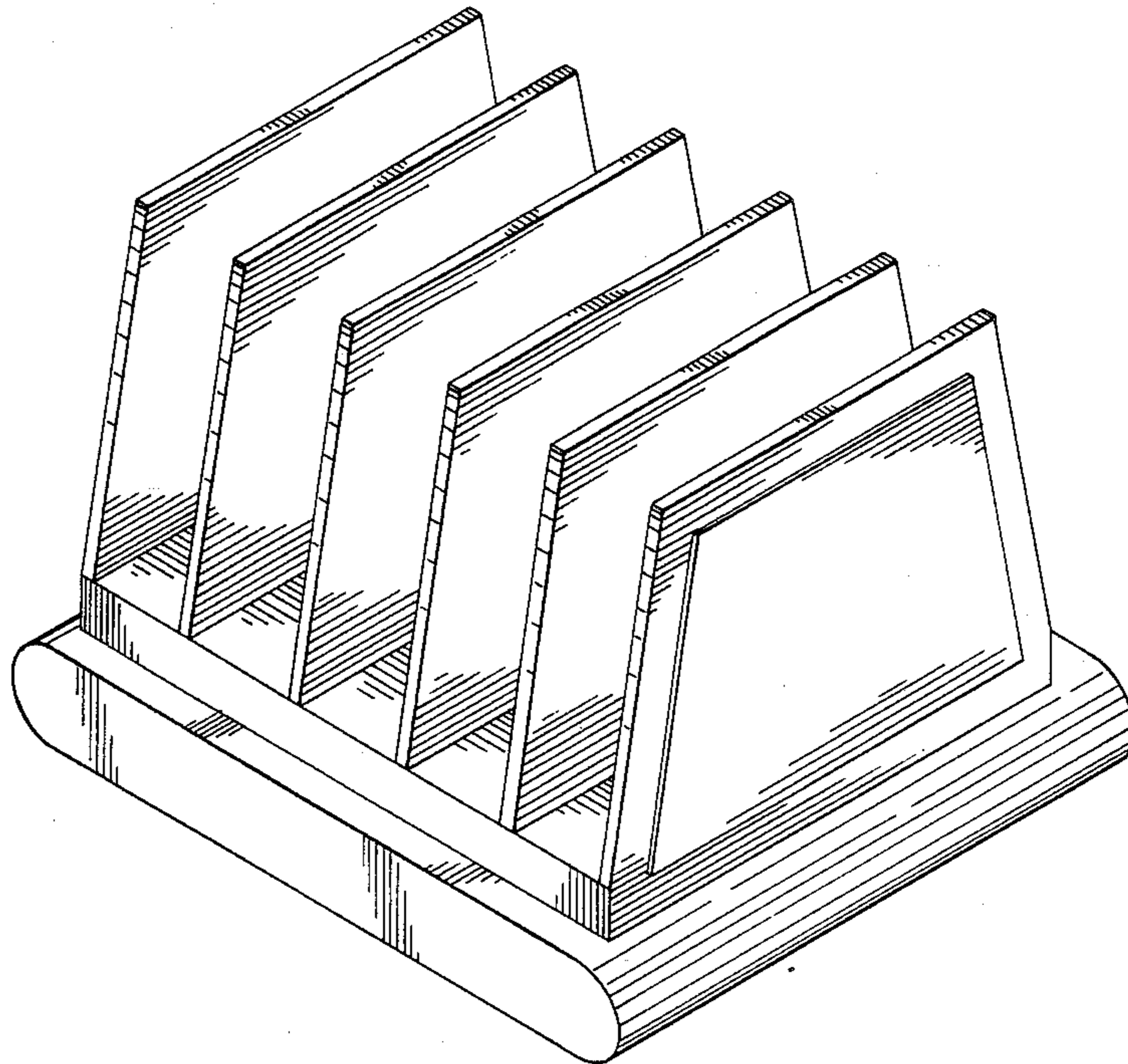


FIG. 1

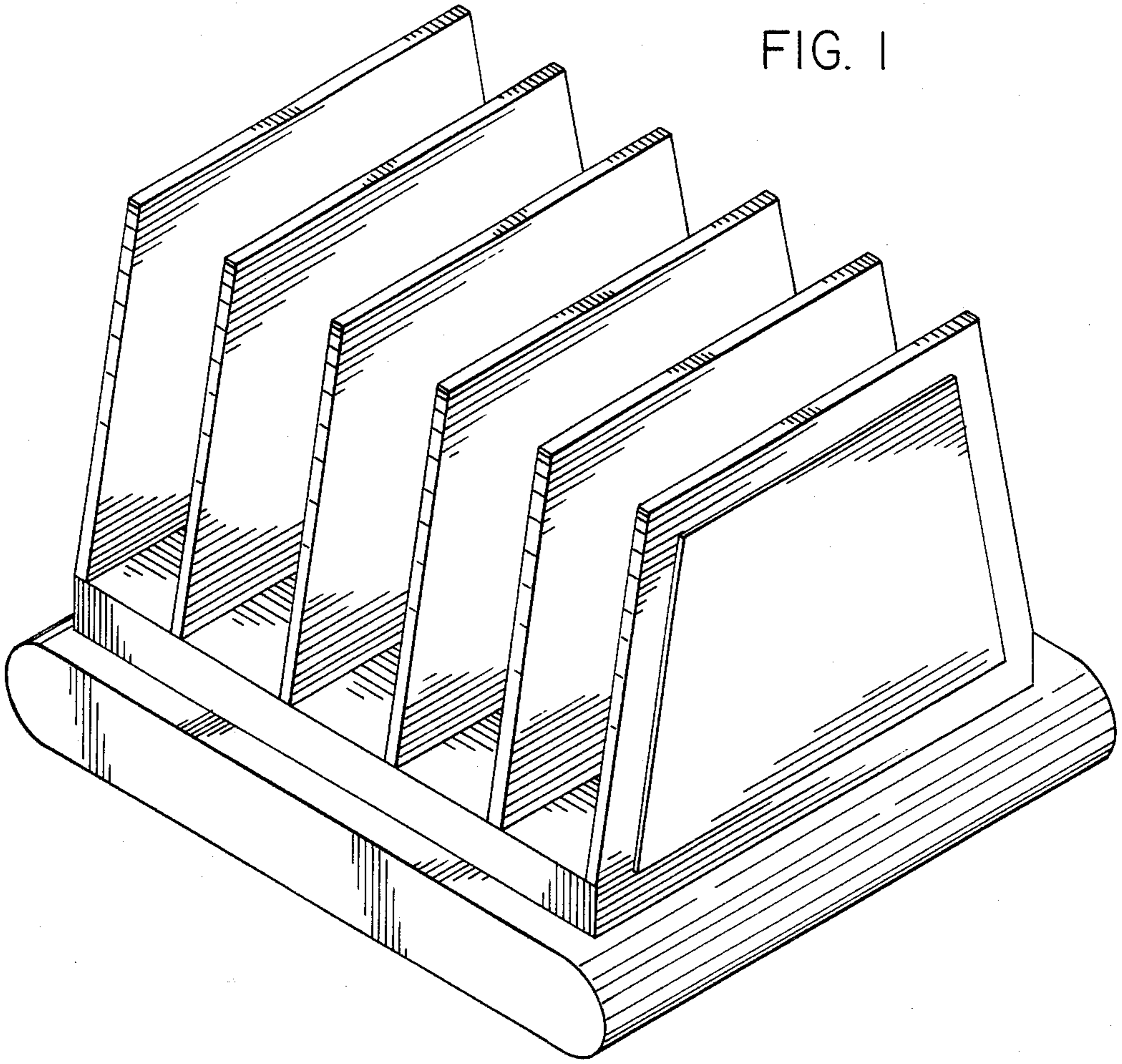


FIG. 2

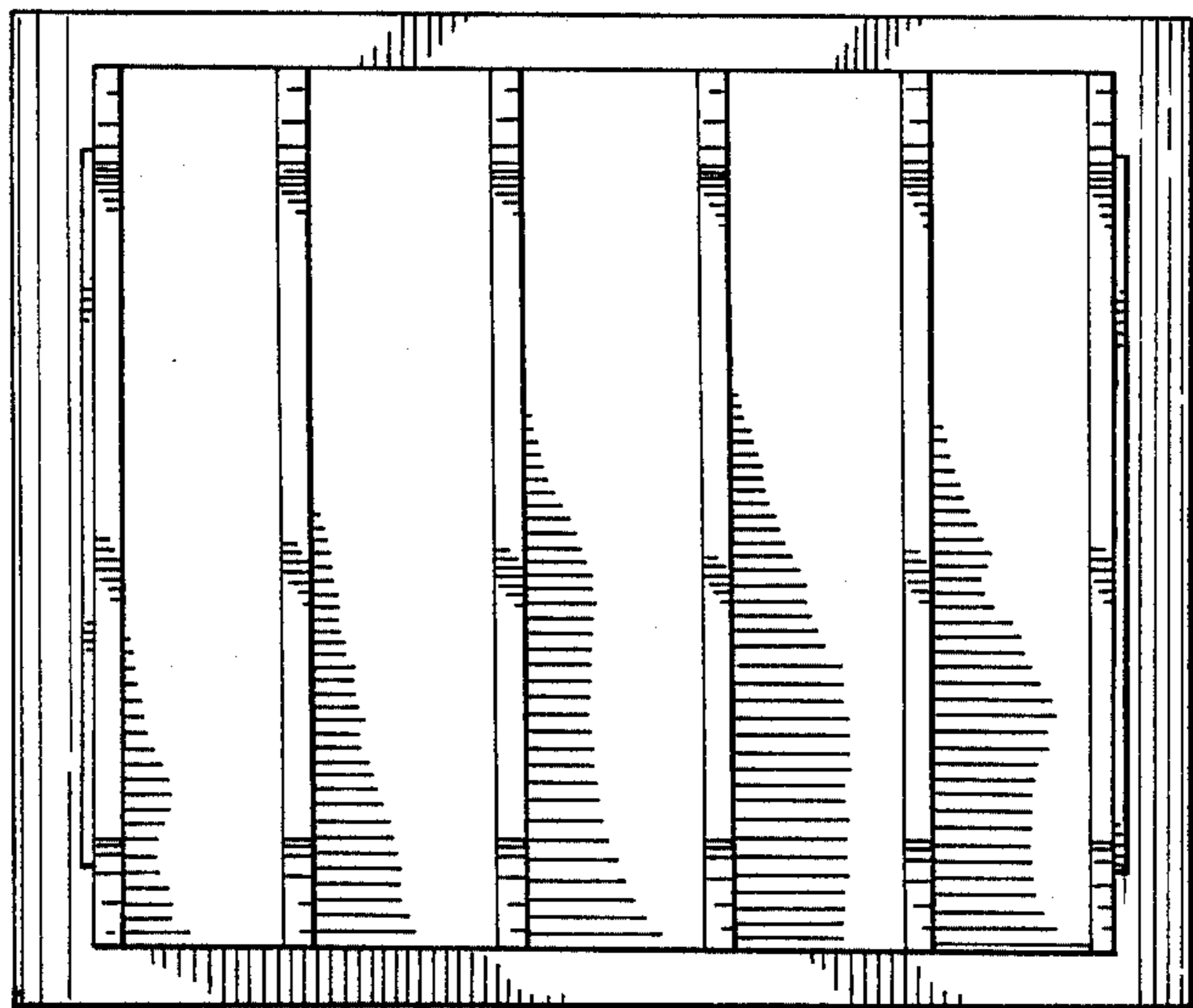


FIG. 3

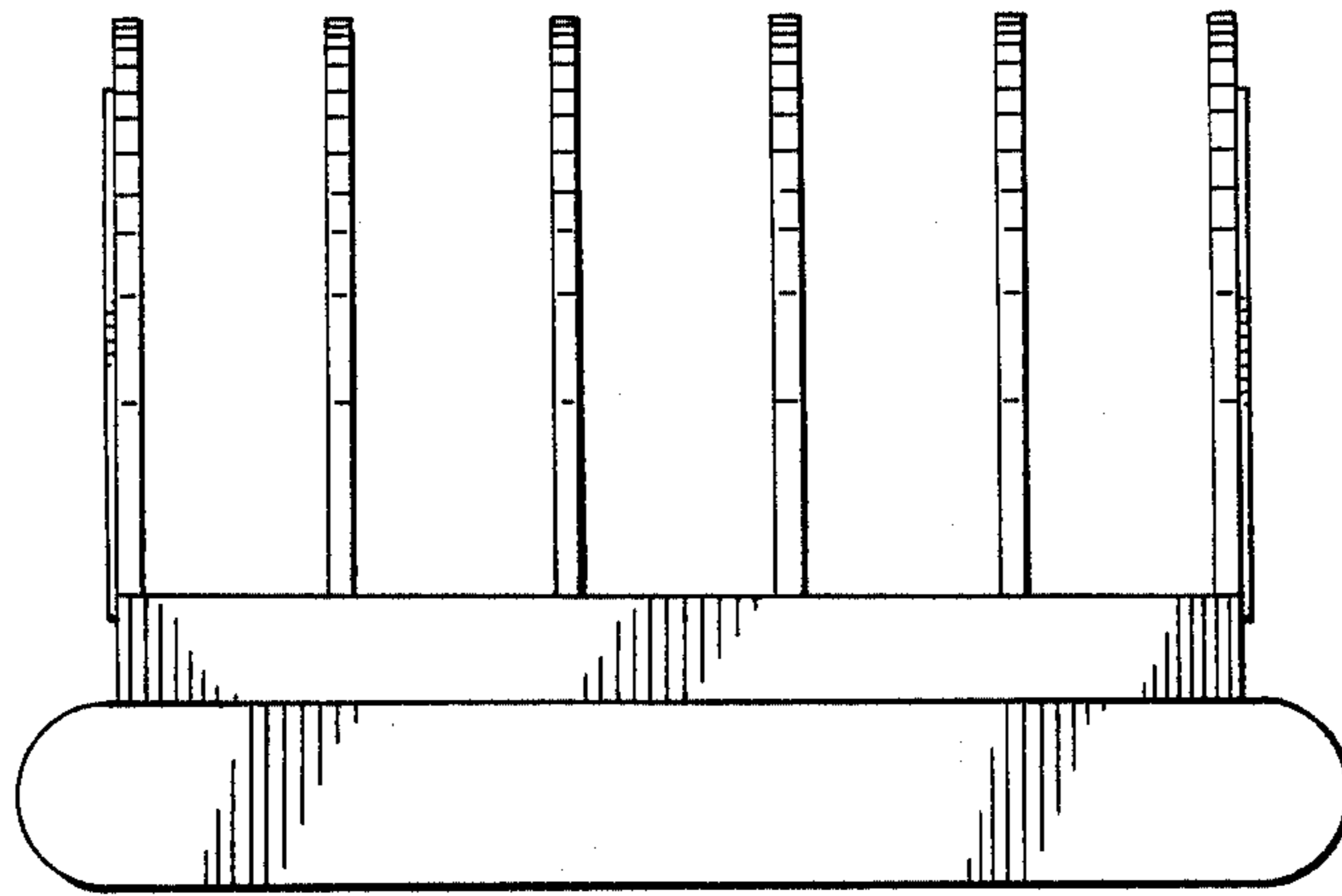


FIG. 4

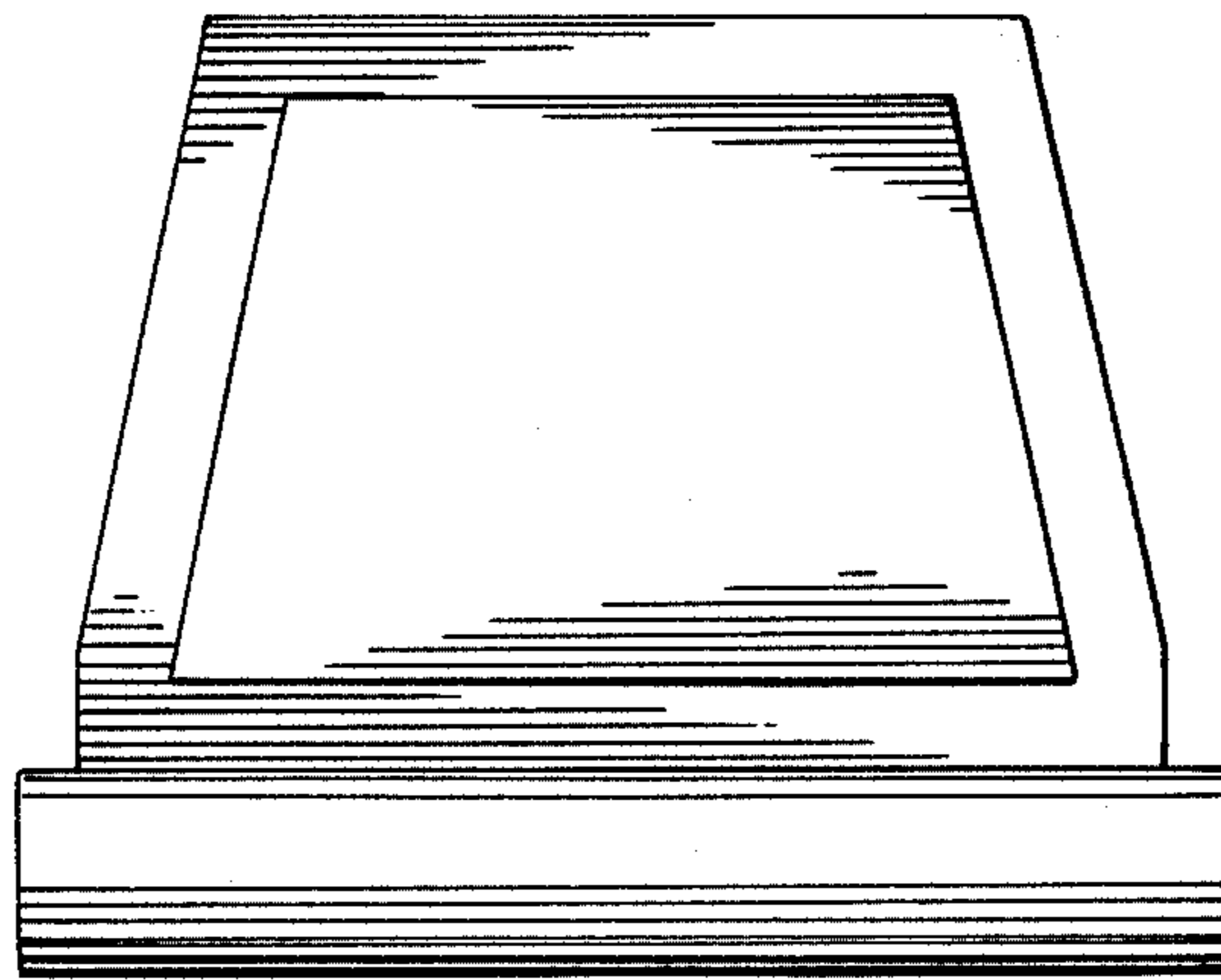


FIG. 5

