

# United States Patent [19]

Klodt

[11] Patent Number: Des. 299,360

[45] Date of Patent: \*\* Jan. 10, 1989

[54] VERTICAL FILE OR THE LIKE

[75] Inventor: Gerald J. Klodt, Madison, Wis.

[73] Assignee: W. T. Rogers Company, Madison, Wis.

[\*\*] Term: 14 Years

[21] Appl. No.: 782,379

[22] Filed: Oct. 1, 1985

[52] U.S. Cl. .... D19/90; D19/75; D6/407

[58] Field of Search ..... D19/65, 75-79, D19/86-88, 90, 92, 95, 99, 100, 85; D6/407, 475; D3/35; D9/347; 211/11, 40, 42, 45, 50, 10; 206/425

[56] References Cited

## U.S. PATENT DOCUMENTS

D. 236,675 9/1975 Darnell ..... D6/407

D. 253,444 11/1979 Mathus et al. .... D6/407  
D. 259,456 6/1981 Zeischegg et al. .... D6/475  
D. 268,119 3/1983 Evenson ..... D19/77  
4,573,588 3/1986 Cohen ..... 211/40 X

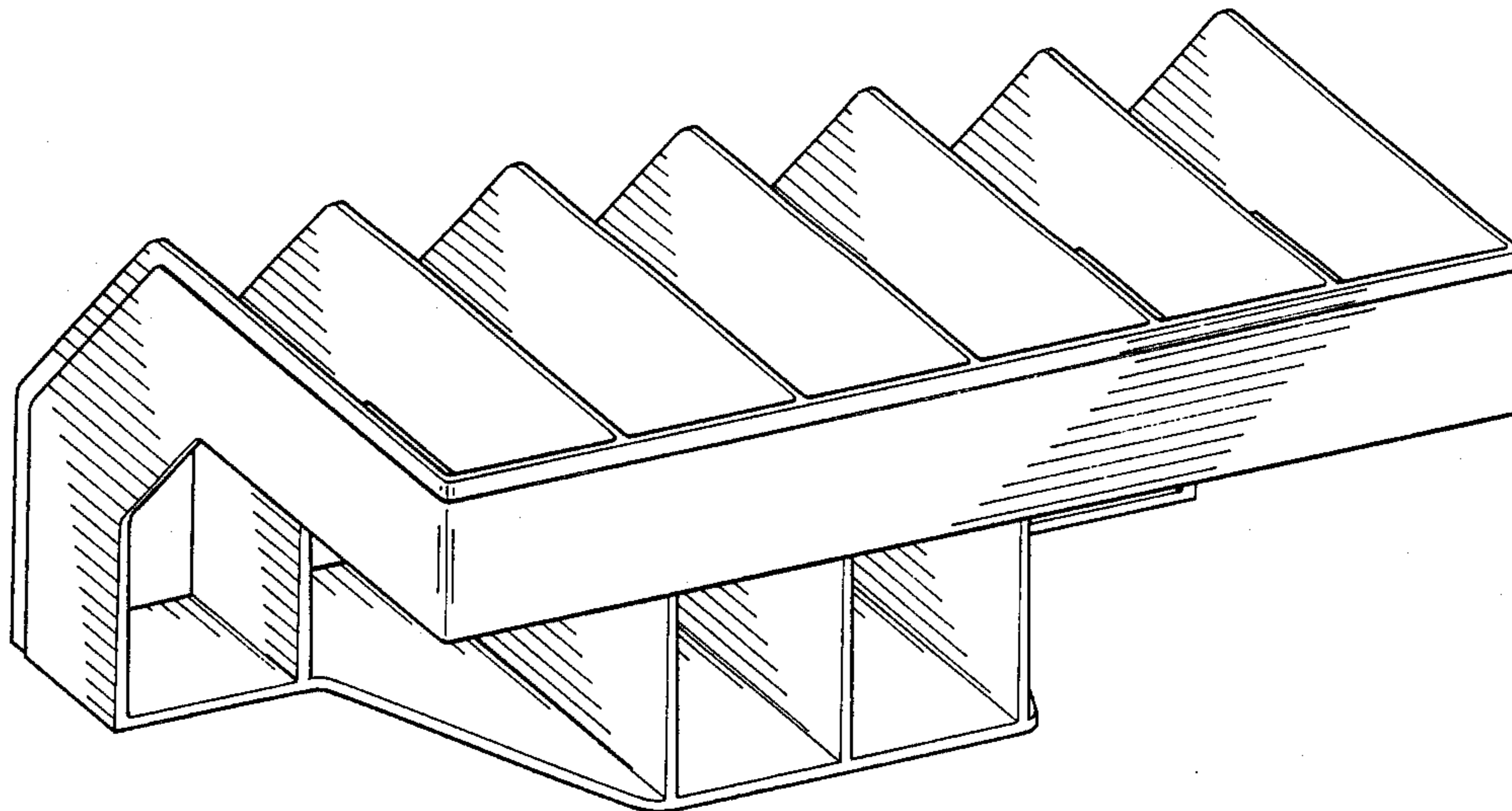
*Primary Examiner*—Bernard Ansher  
*Assistant Examiner*—Theodore M. Shooman  
*Attorney, Agent, or Firm*—Lathrop & Clark

[57] CLAIM

The ornamental design for a vertical file or the like, as shown and described.

## DESCRIPTION

FIG. 1 is a top, front and left side perspective view of a vertical file or the like showing my new design; FIG. 2 is a front elevational view thereof; FIG. 3 is a right side elevational view thereof, the left side being a mirror image; FIG. 4 is a top plan view thereof; FIG. 5 is a rear elevational view thereof; and, FIG. 6 is a bottom plan view thereof.



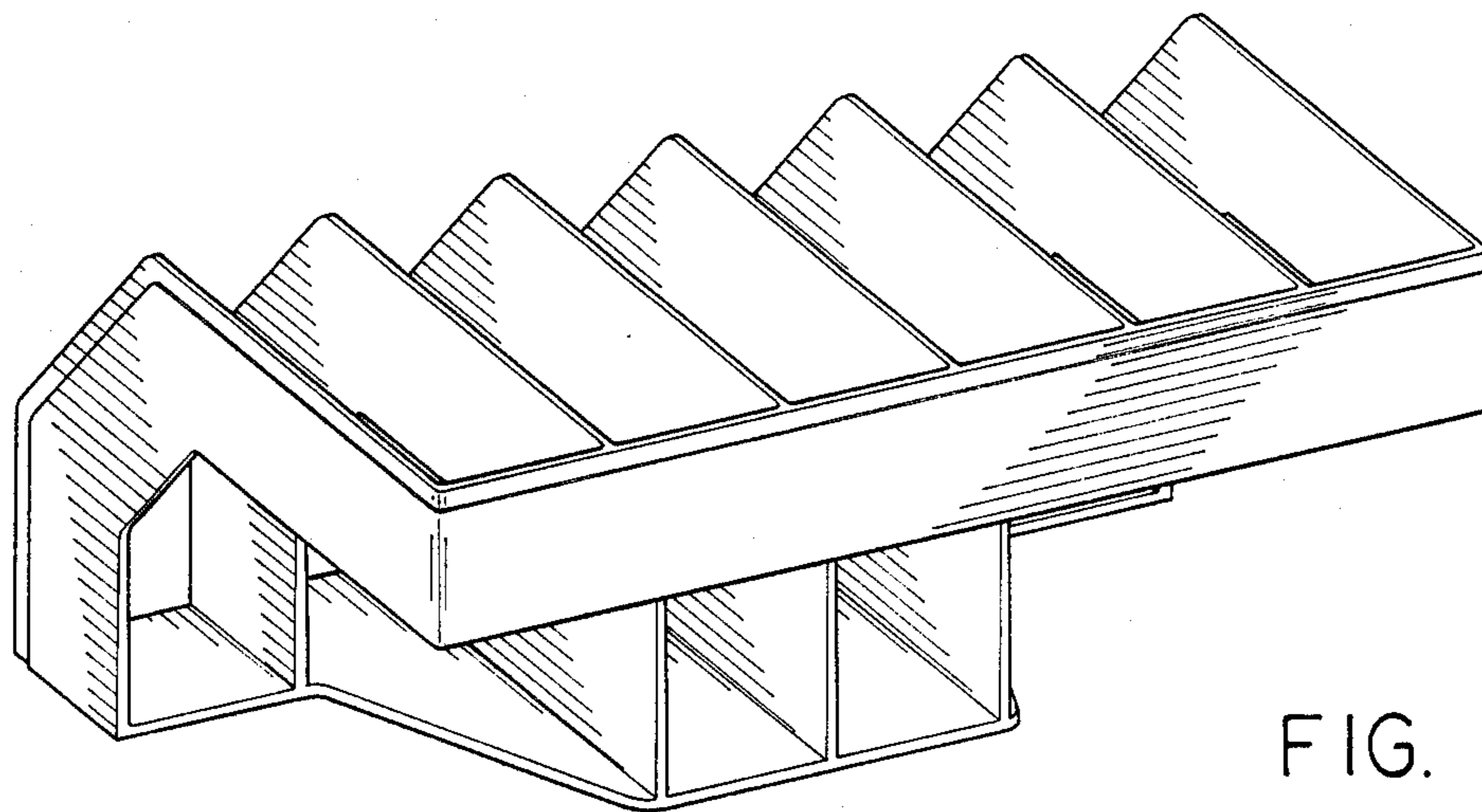


FIG. 1

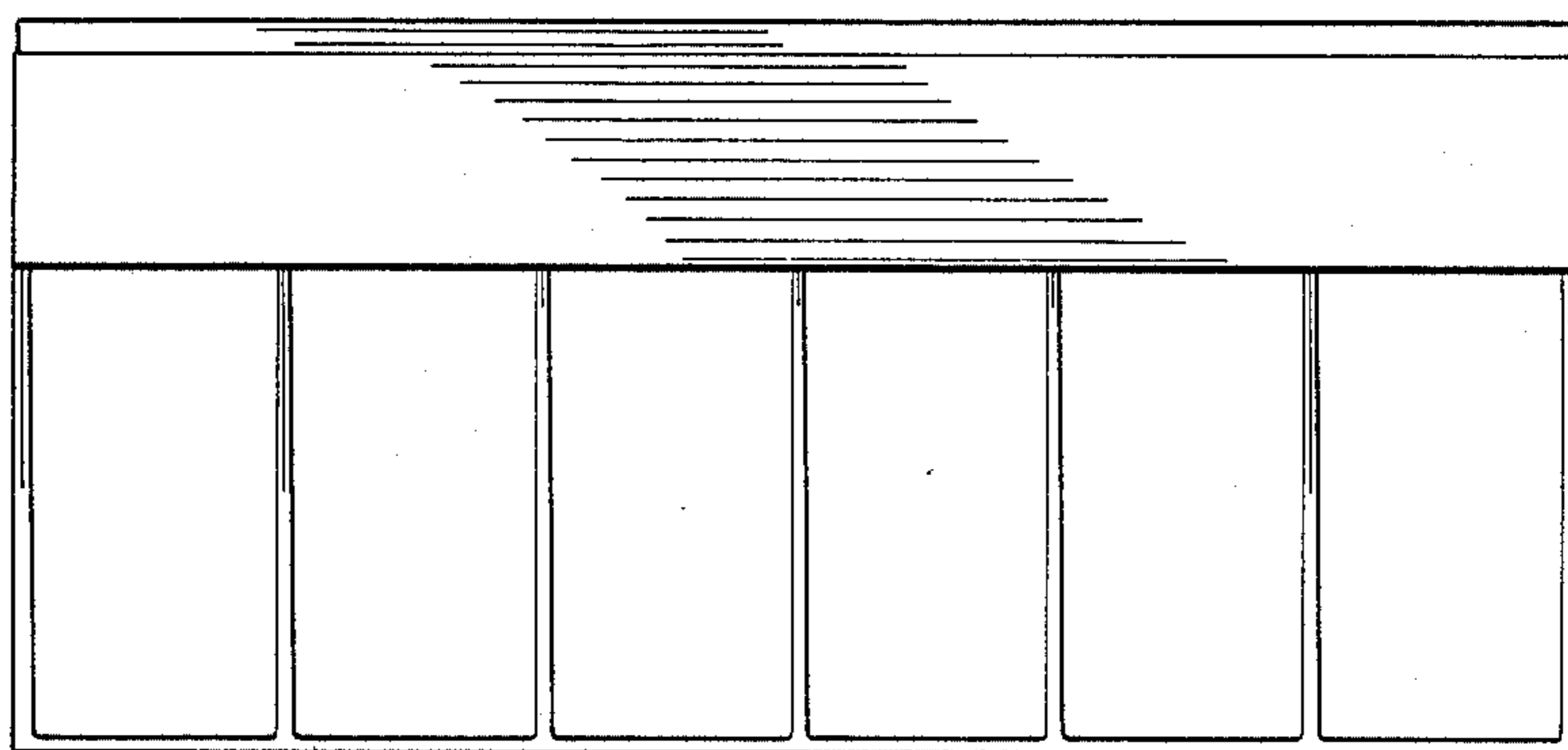


FIG. 2

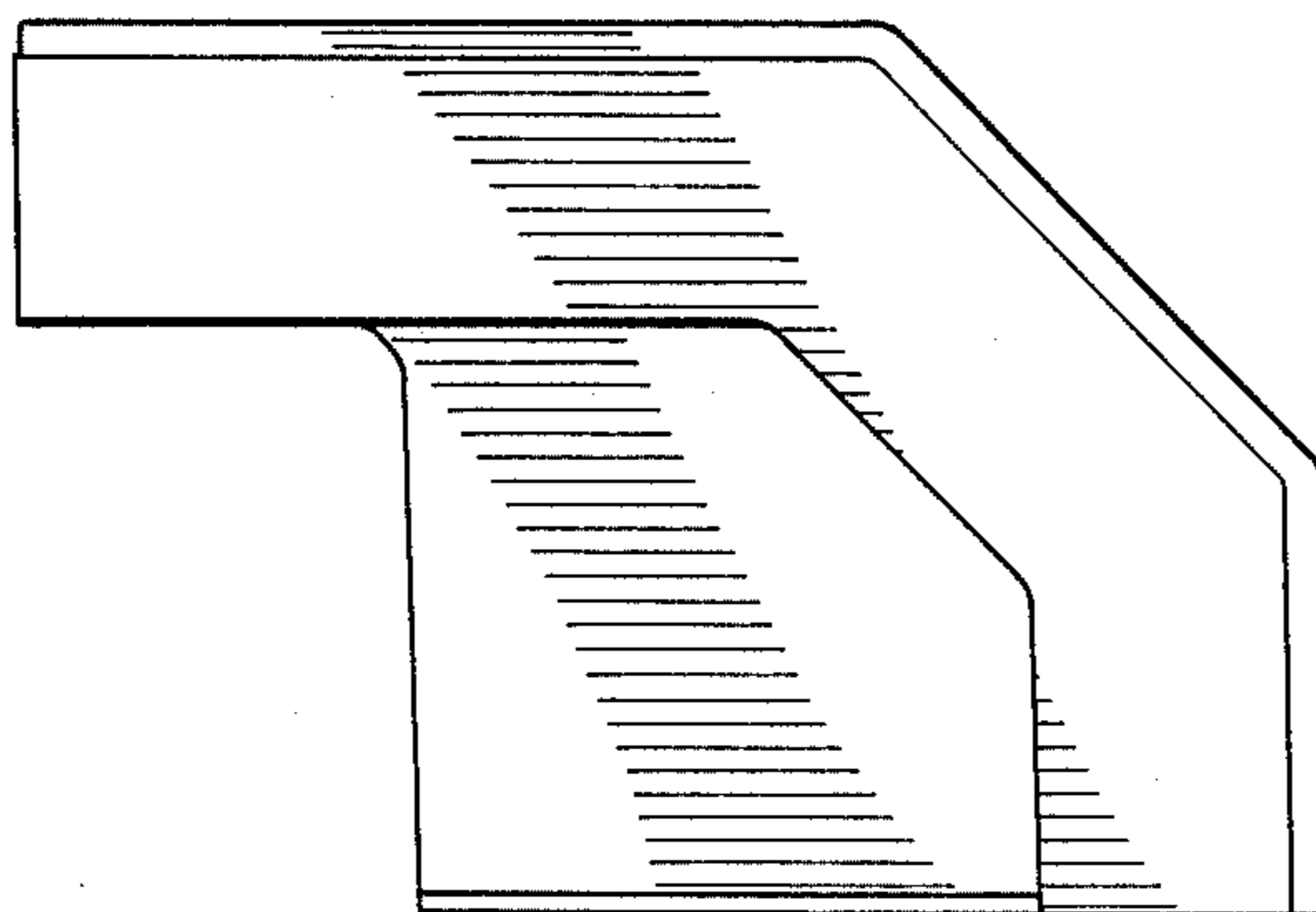


FIG. 3

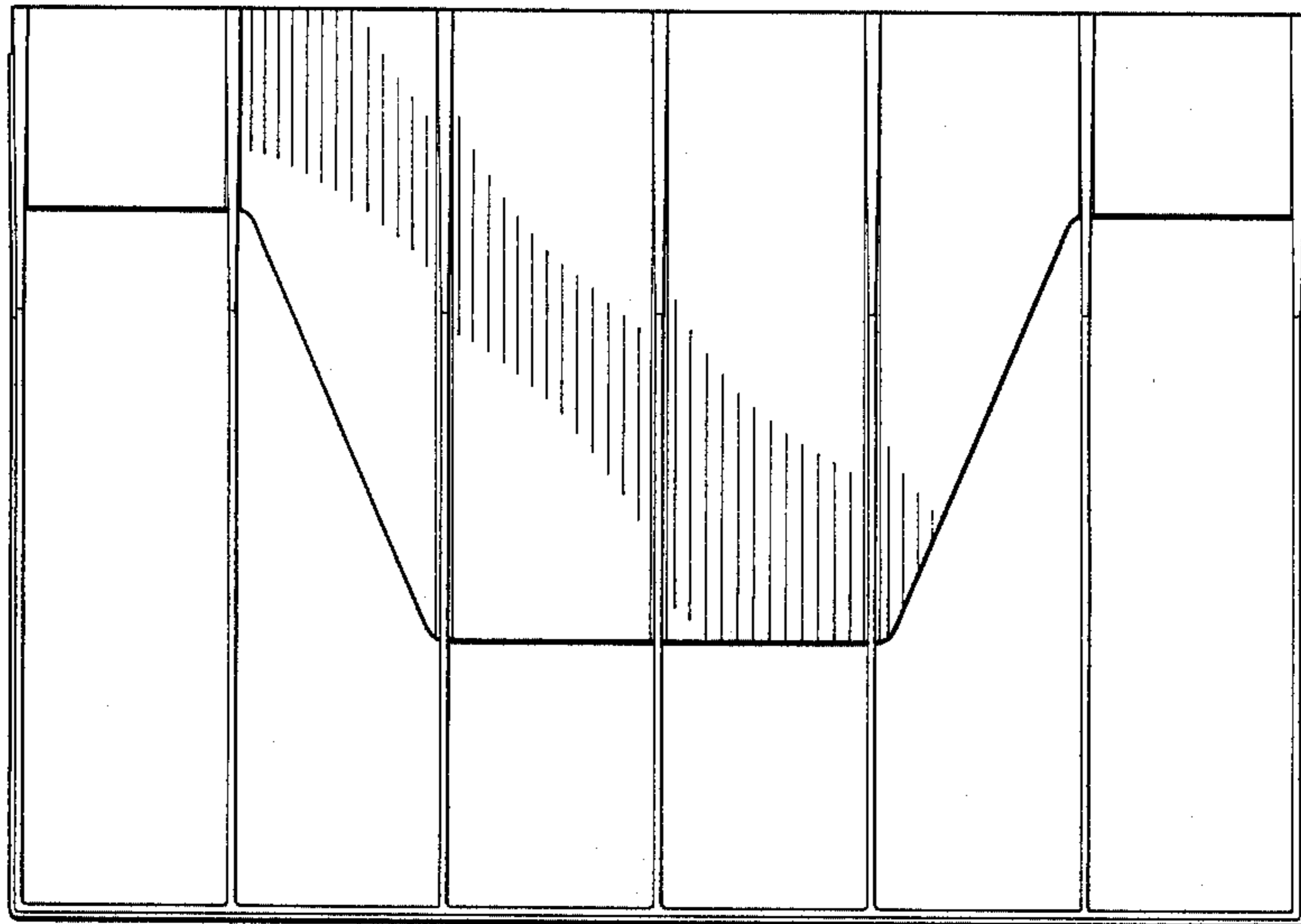


FIG. 4

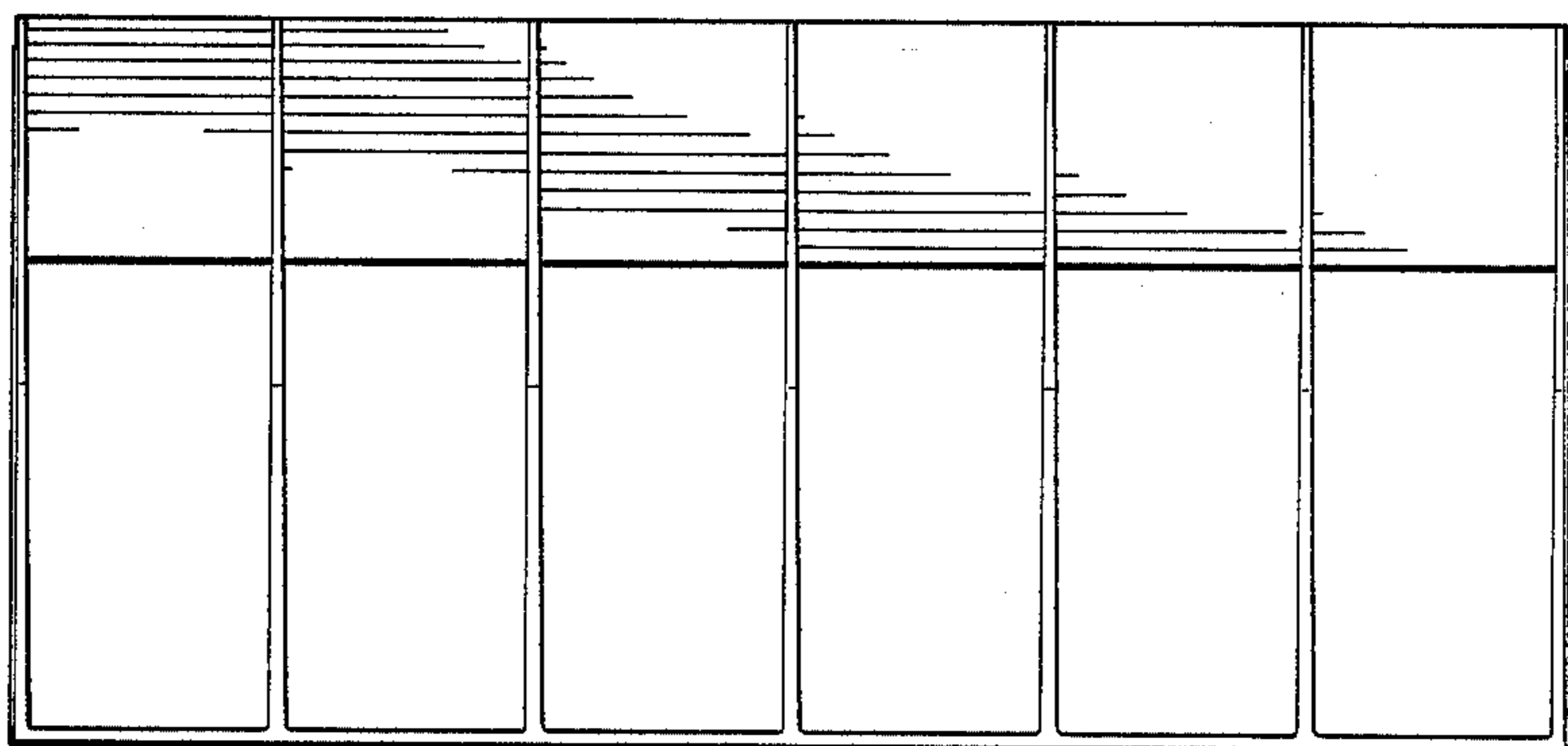


FIG. 5

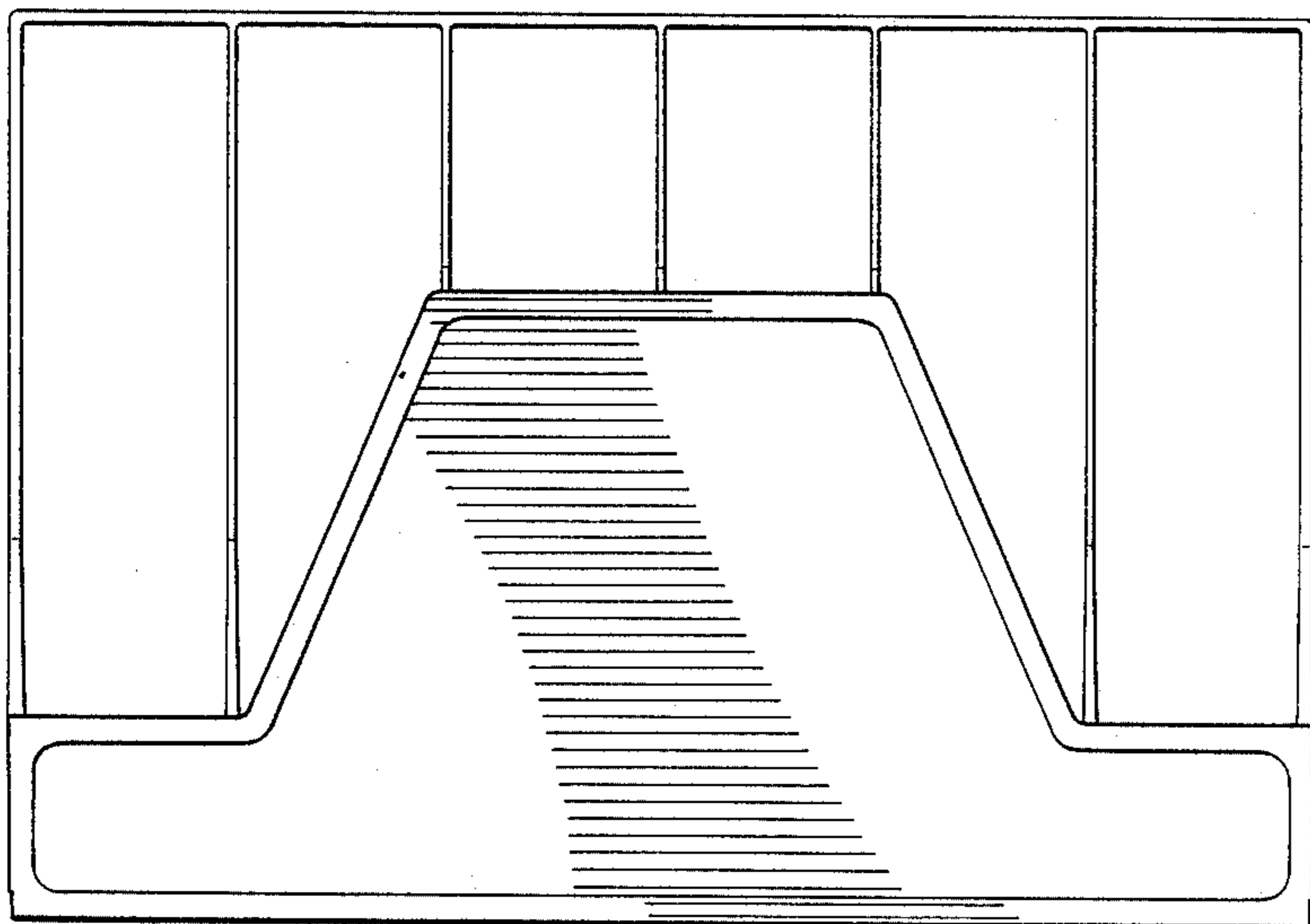


FIG. 6