

[54] MICROSCOPE

[75] Inventors: Rolf Garnich, Esslingen; Hermann Leurs, Vluyt, both of Fed. Rep. of Germany

[73] Assignee: Carl-Zeiss-Stiftung, Heidenheim/Brenz, Oberkochen, Fed. Rep. of Germany

[**] Term: 14 Years

[21] Appl. No.: 759,146

[22] Filed: Jul. 26, 1985

[30] Foreign Application Priority Data

Feb. 14, 1985 [DE] Fed. Rep. of Germany MR 770

[52] U.S. Cl. D16/131

[58] Field of Search D16/131, 130; 350/507, 350/530, 531, 511, 519, 526, 514; 354/79

[56] References Cited

U.S. PATENT DOCUMENTS

3,721,827 3/1973 Reinheimer 350/530 X
4,482,221 11/1984 Clark 350/530

OTHER PUBLICATIONS

Leitz Scientific & Technical Inf., pamphlet, vol. 7, No. 6, Jun. 1979, p. 174.

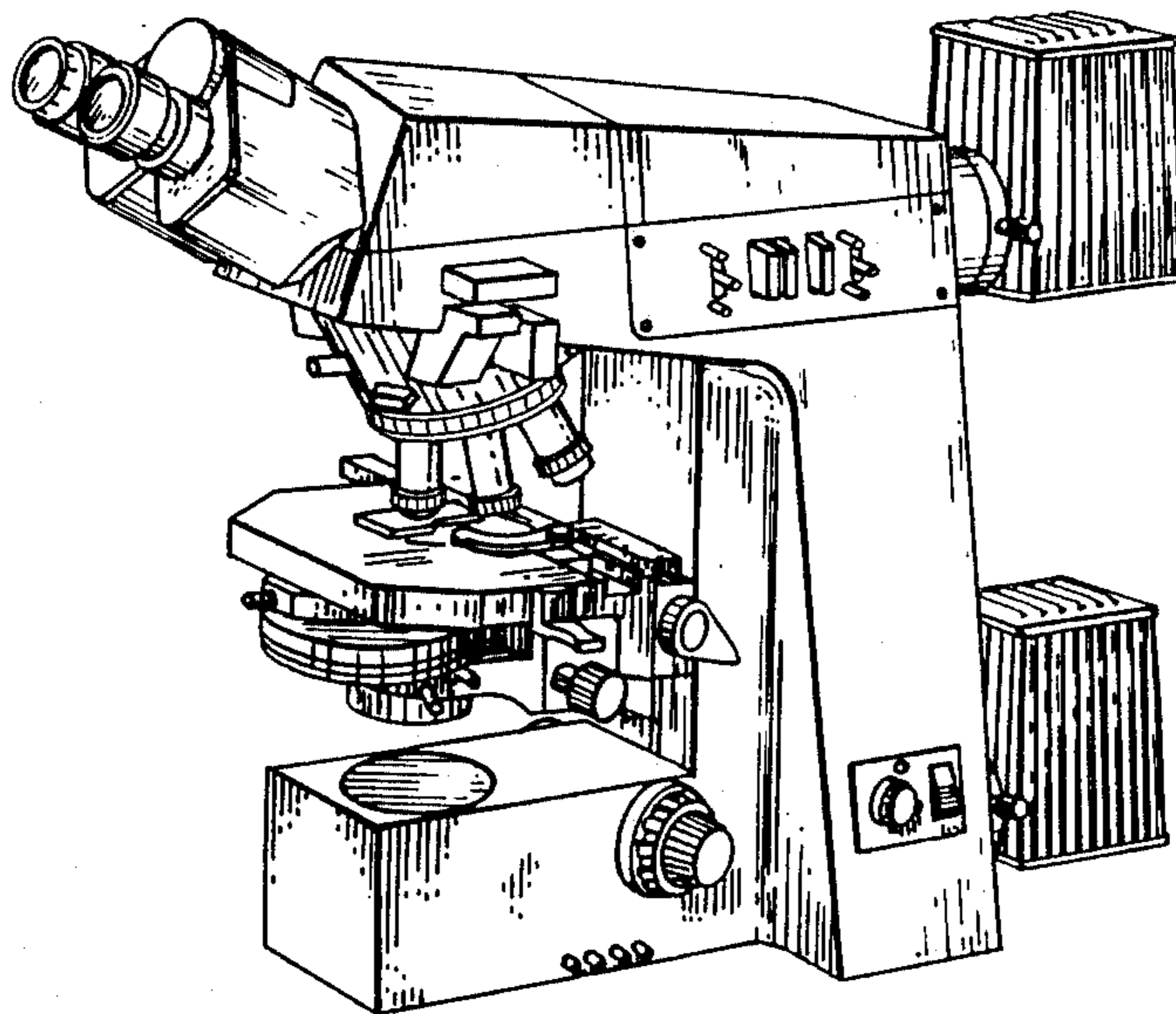
Primary Examiner—Wallace R. Burke
Assistant Examiner—Stella M. Reid
Attorney, Agent, or Firm—Hopgood, Calimafde, Kalil, Blaustein & Judlowe

[57] CLAIM

The ornamental design for a microscope, as shown and described.

DESCRIPTION

FIG. 1 is a perspective view of a microscope showing our new design;
FIG. 2 is a right side elevational view thereof;
FIG. 3 is a front elevational view thereof;
FIG. 4 is a left side elevational view thereof;
FIG. 5 is a rear elevational view thereof; and
FIG. 6 is a top plan view thereof.



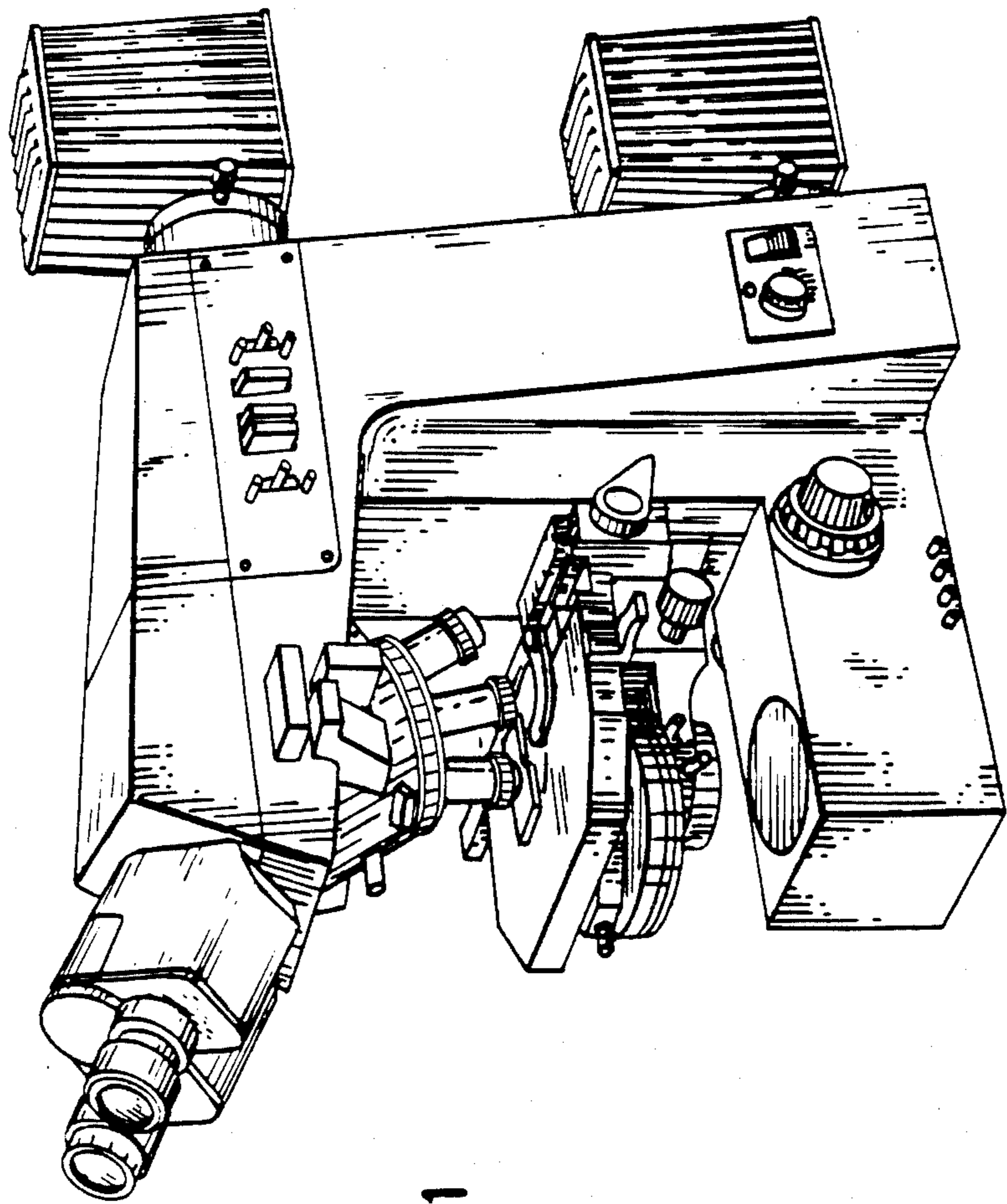


Fig. 1

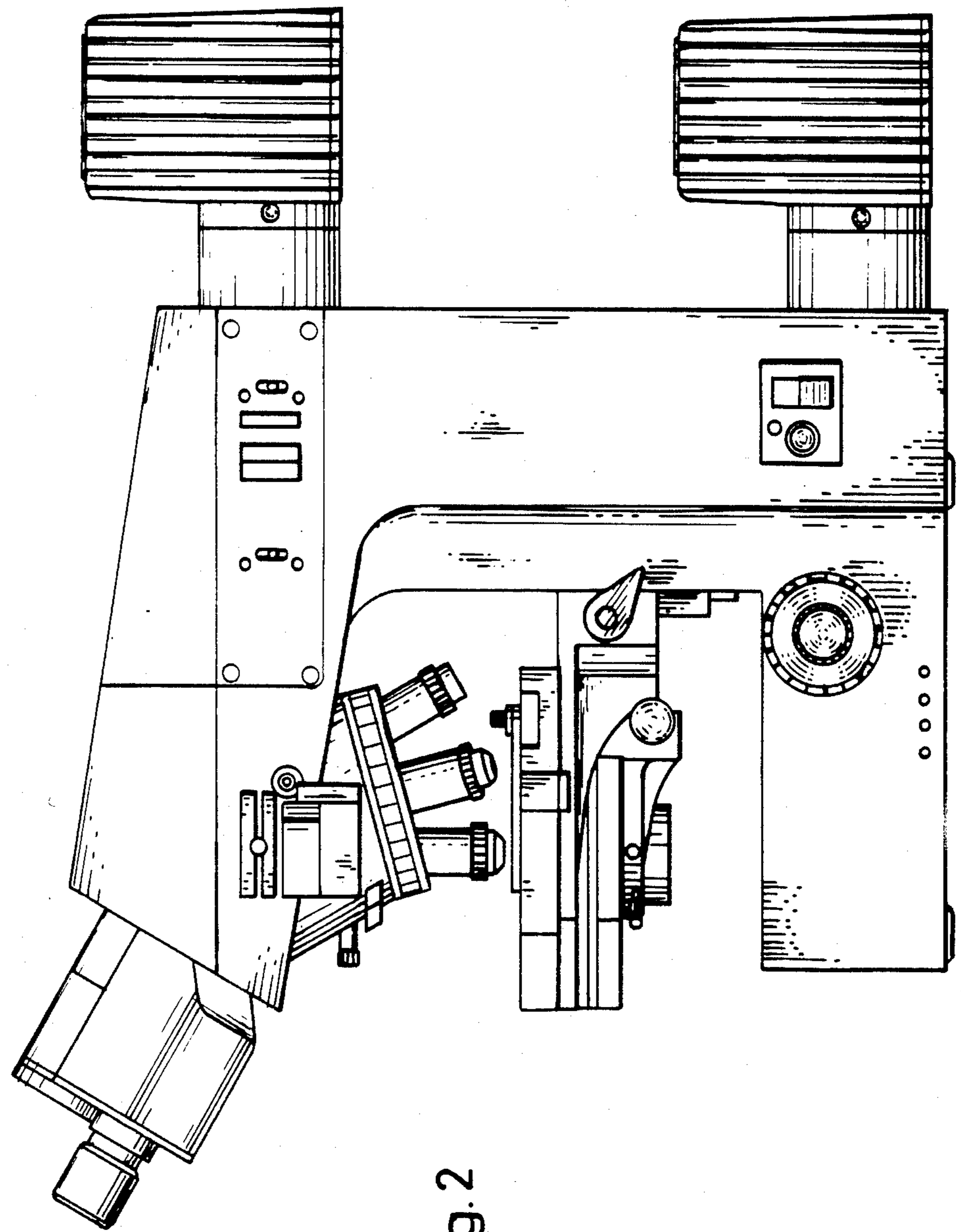


Fig. 2

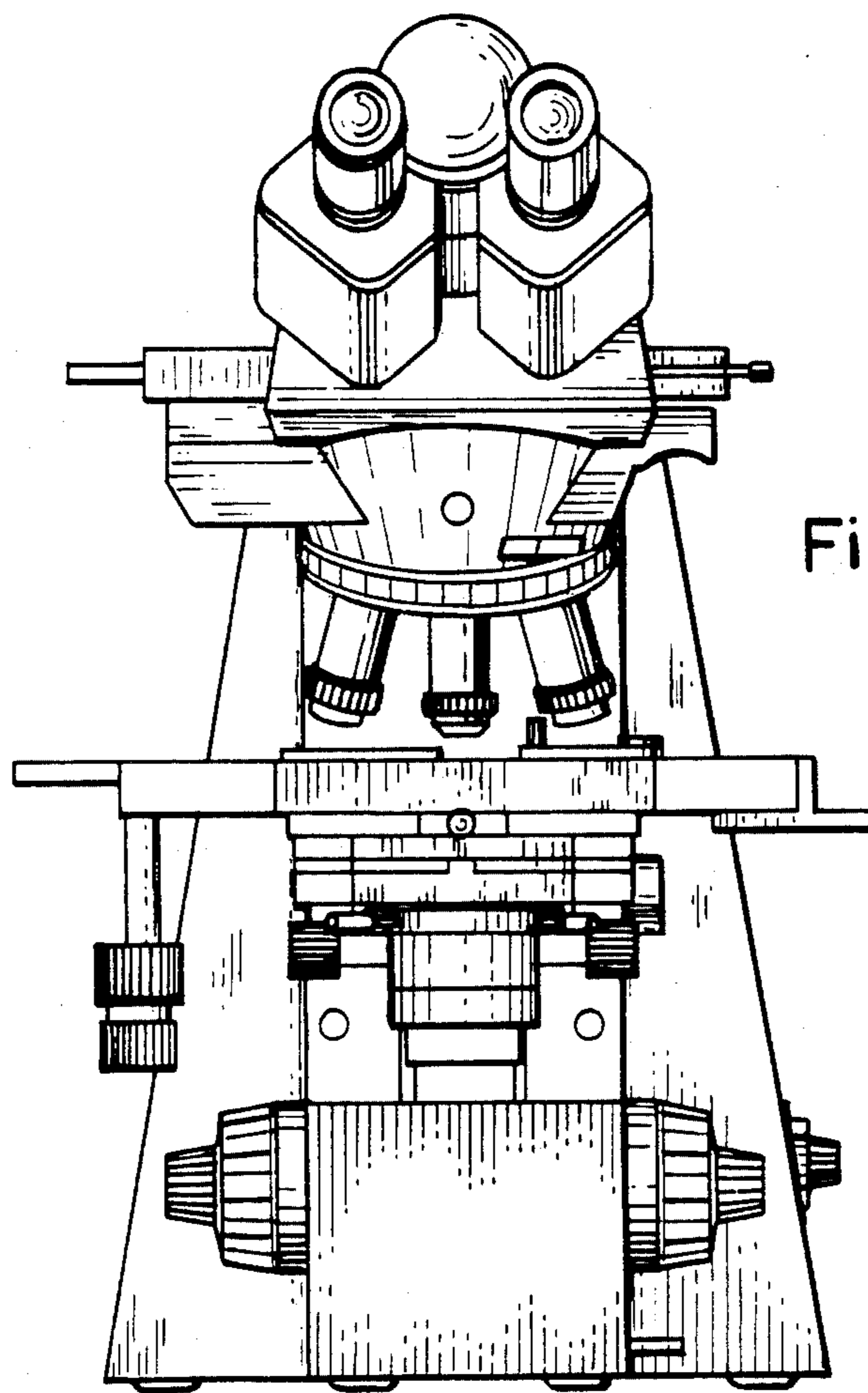


Fig. 3

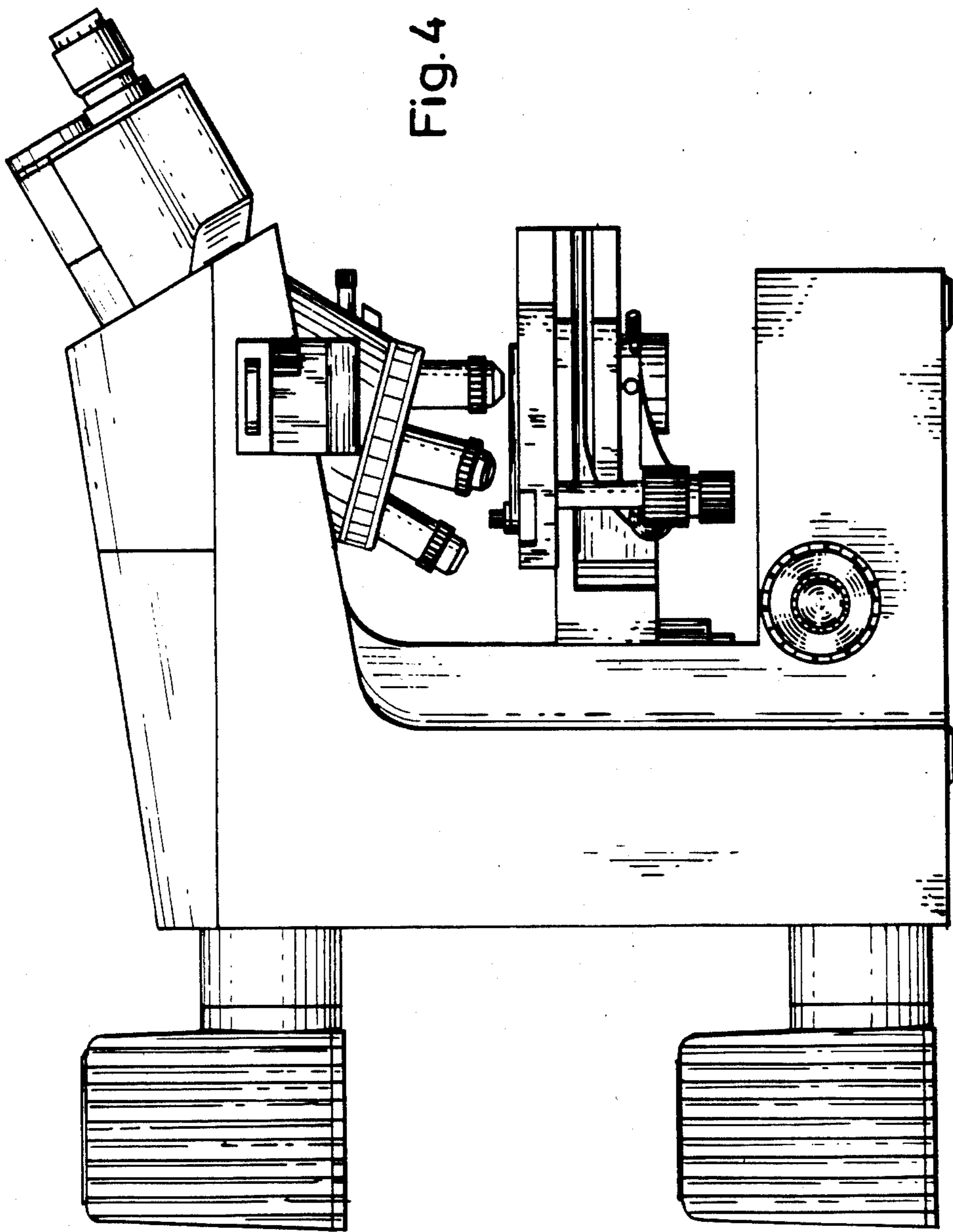


Fig. 4

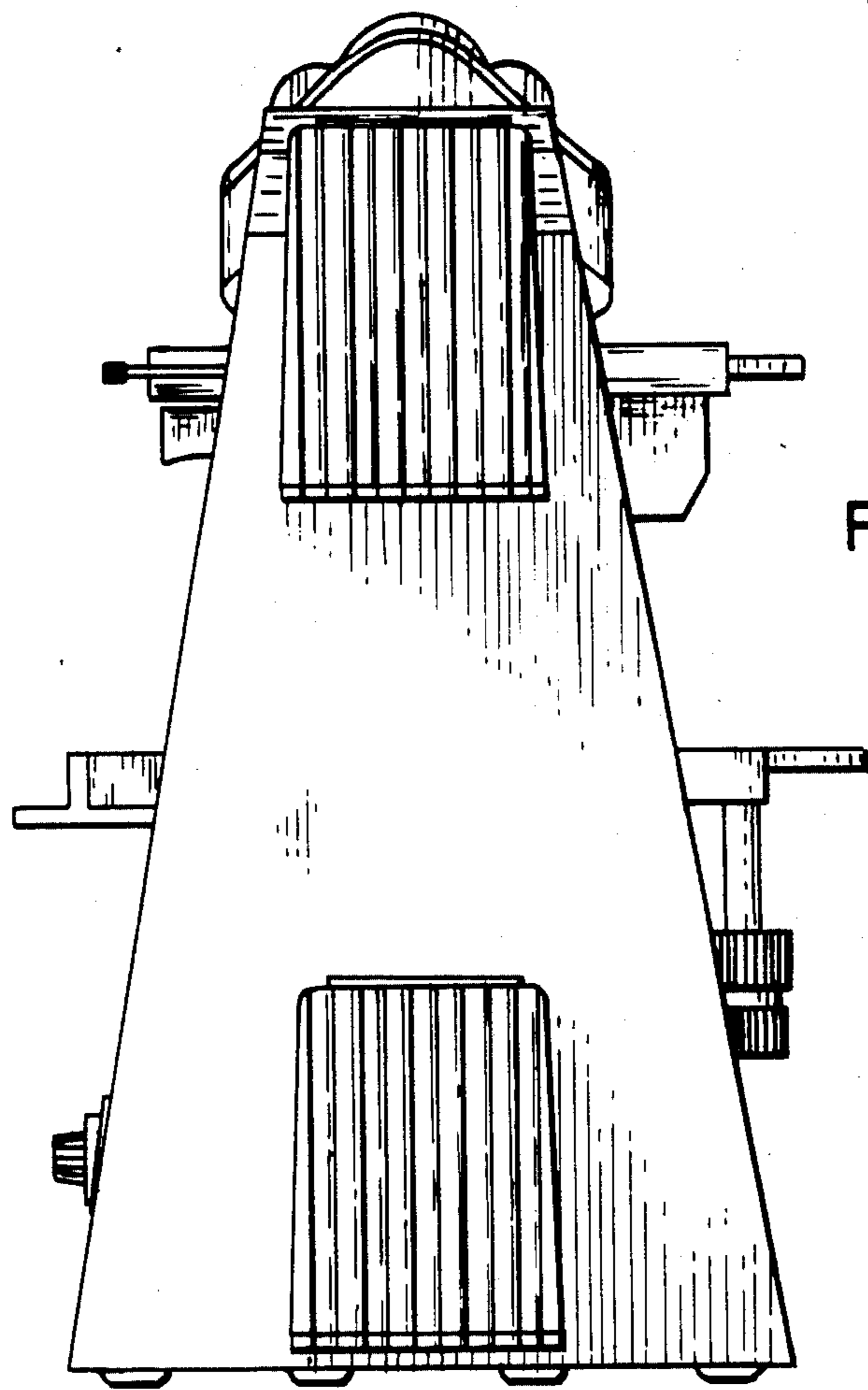


Fig.5

Fig. 6

