

- [54] **HANDLE FOR ROLL OF PLASTIC FILM**
[76] **Inventor: Joseph Goldstein, 1700 Palisades Dr., Pacific Palisades, Calif. 90272**
[**] **Term: 14 Years**
[21] **Appl. No.: 922,547**
[22] **Filed: Oct. 23, 1986**

4,706,442 11/1987 Riemenschneider 53/556

Primary Examiner—B. J. Bullock
Attorney, Agent, or Firm—Allan M. Shapiro

[57] **CLAIM**

The ornamental design for a handle for roll of plastic film, as shown and described.

DESCRIPTION

FIG. 1 is a side elevational view of a handle for roll of plastic film showing my new design;
FIG. 2 is a left end elevational thereof;
FIG. 3 is a right end elevational view thereof;
FIG. 4 is a side elevational view of a second embodiment of the design of FIG. 1;
FIG. 5 is a left end elevational view of FIG. 4;
FIG. 6 is a right end elevational view of FIG. 4;
FIG. 7 is a side elevational view of a third embodiment of the design of FIG. 1;
FIG. 8 is a left end elevational view of FIG. 7;
FIG. 9 is a right end elevational view of FIG. 7;
FIG. 10 is a side elevational view of a fourth embodiment of the design of FIG. 1;
FIG. 11 is a left end elevational view of FIG. 10;
FIG. 12 is a right end elevational view of FIG. 10.

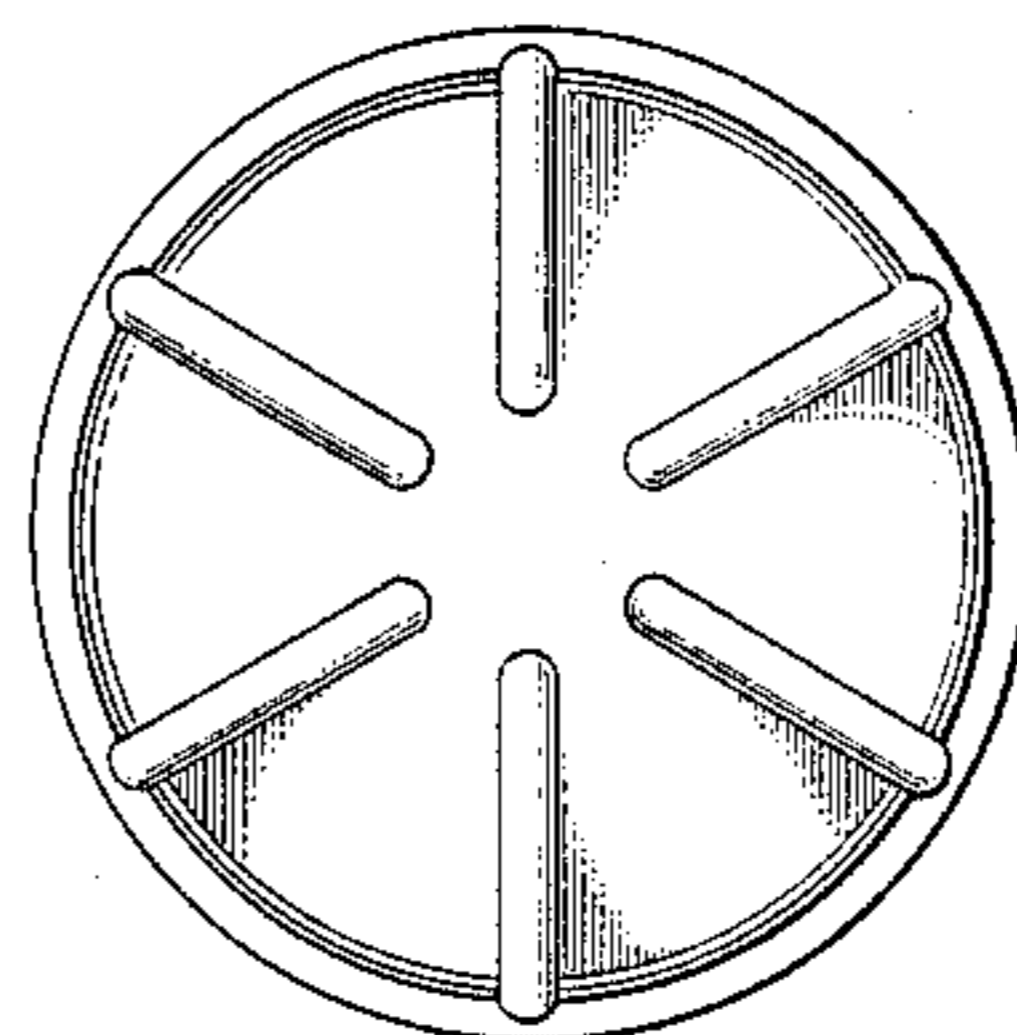
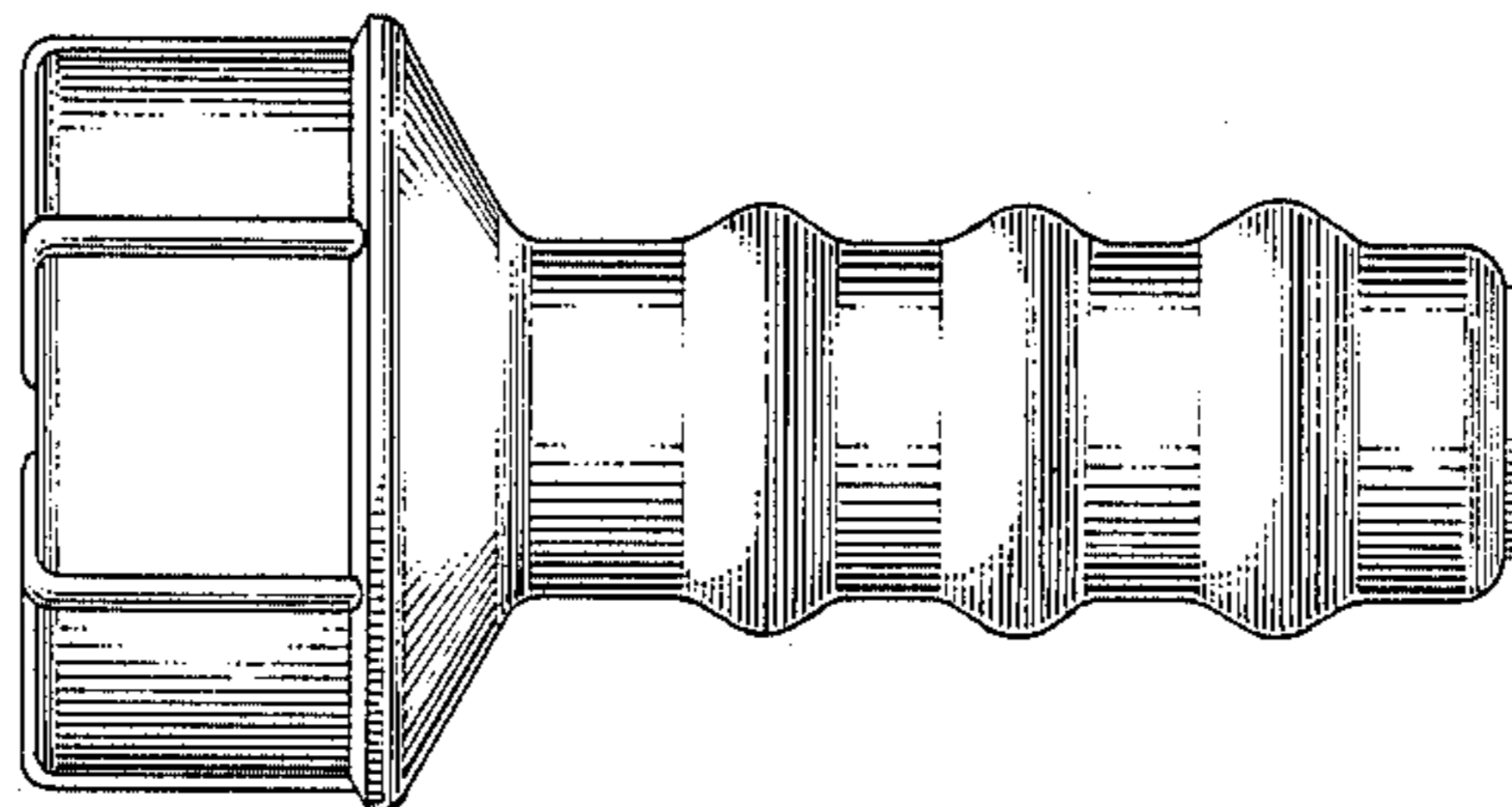
Related U.S. Application Data

- [63] Continuation-in-part of Ser. No. 913,218, Sep. 29, 1986.
[52] **U.S. Cl. D15/145**
[58] **Field of Search D15/145; D8/300, 310, D8/311, 312, 352; 242/68.4, 96, 99; 53/556, 587**

[56] **References Cited**

U.S. PATENT DOCUMENTS

D. 176,508	1/1956	Enos	D8/311
D. 212,079	8/1968	Algoren	D8/352
D. 270,163	8/1983	Shulman	D15/145
3,652,027	3/1972	Wong	242/99
4,248,392	2/1981	Parry	242/99
4,484,717	11/1984	Goldstein	242/96
4,575,020	3/1986	Strout et al.	53/556
4,600,163	7/1986	Hummel et al.	242/99



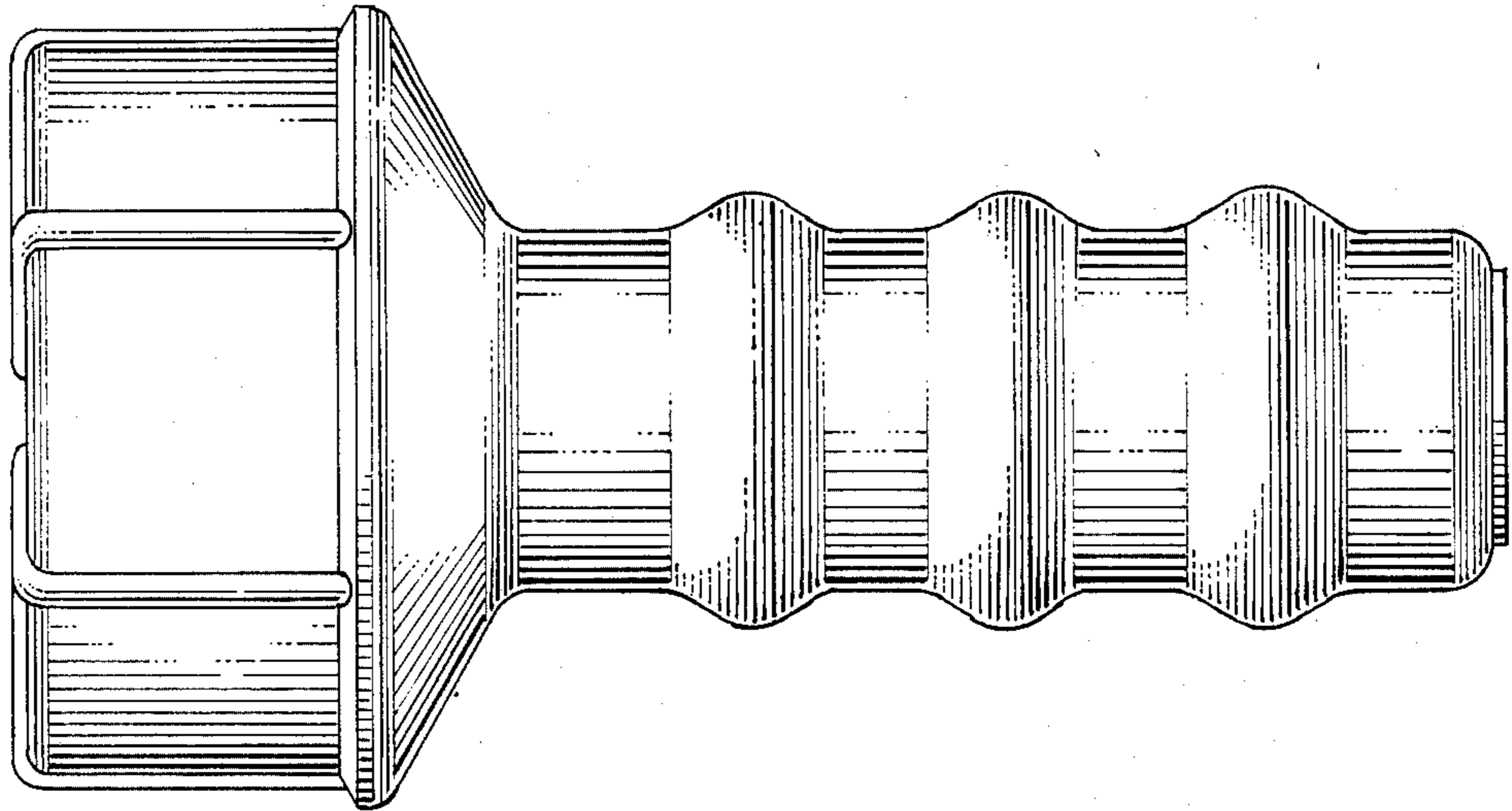


FIG. 1.

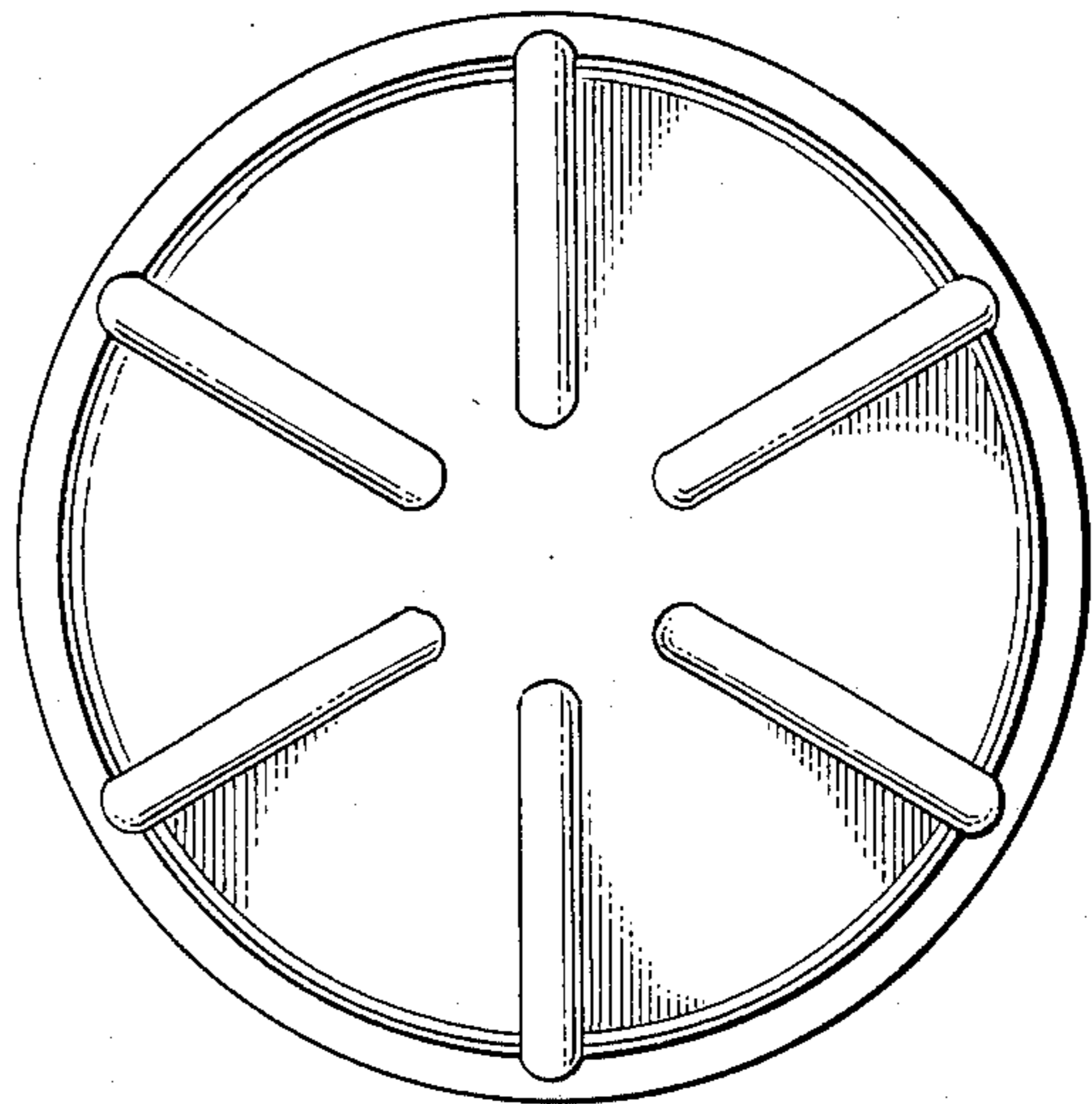


FIG. 2.

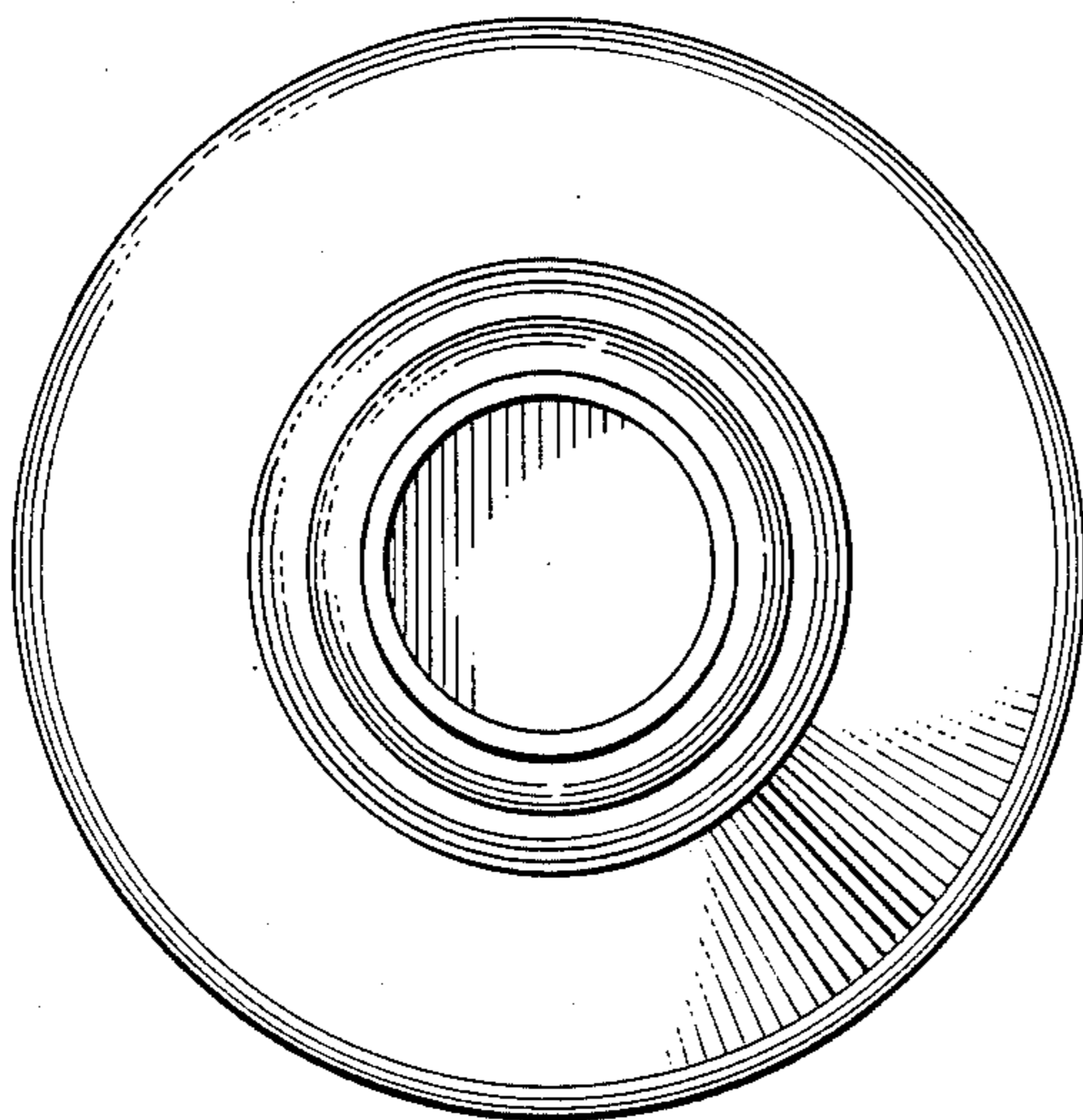


FIG. 3.

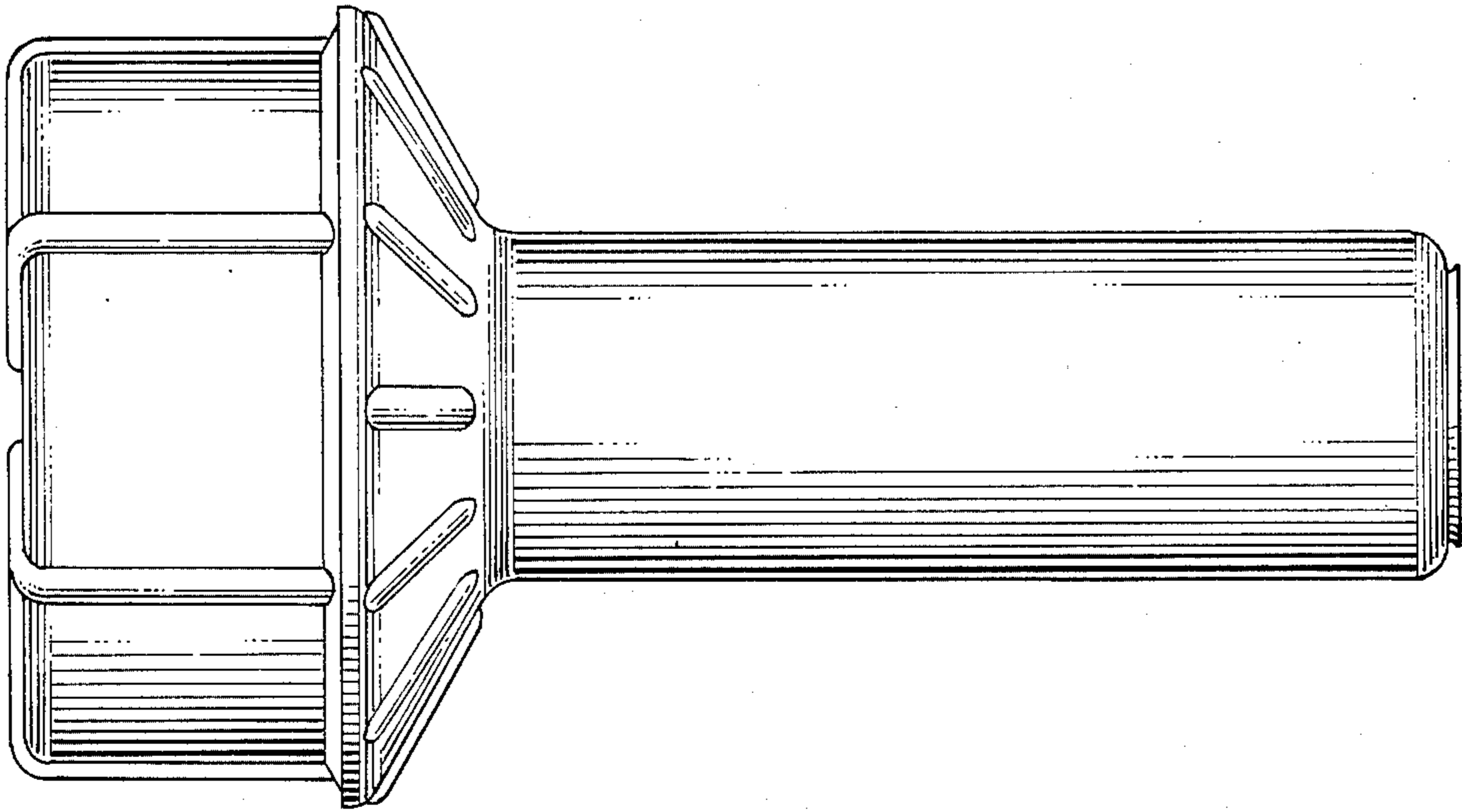


FIG. 4.

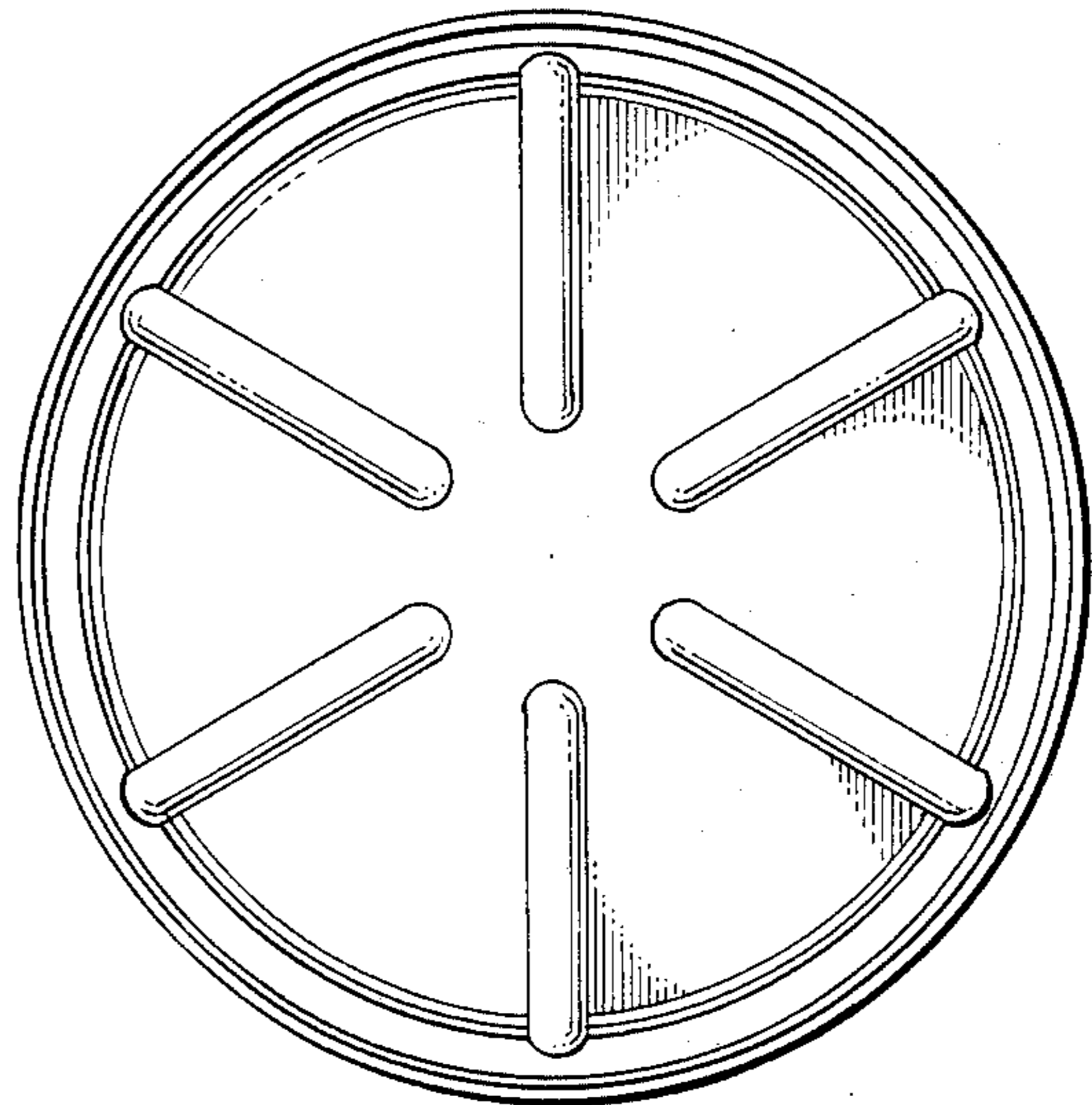


FIG. 5.

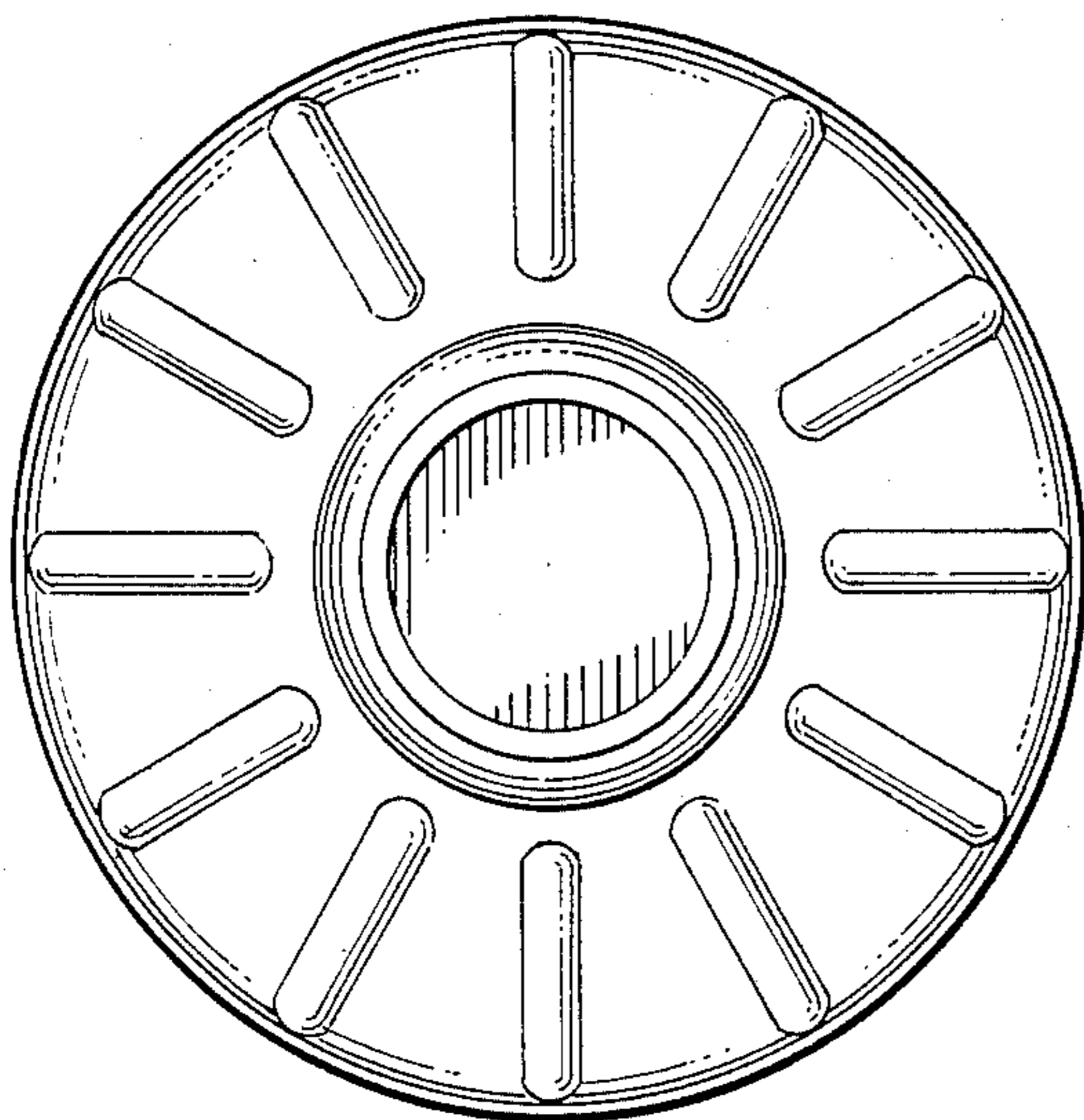


FIG. 6.

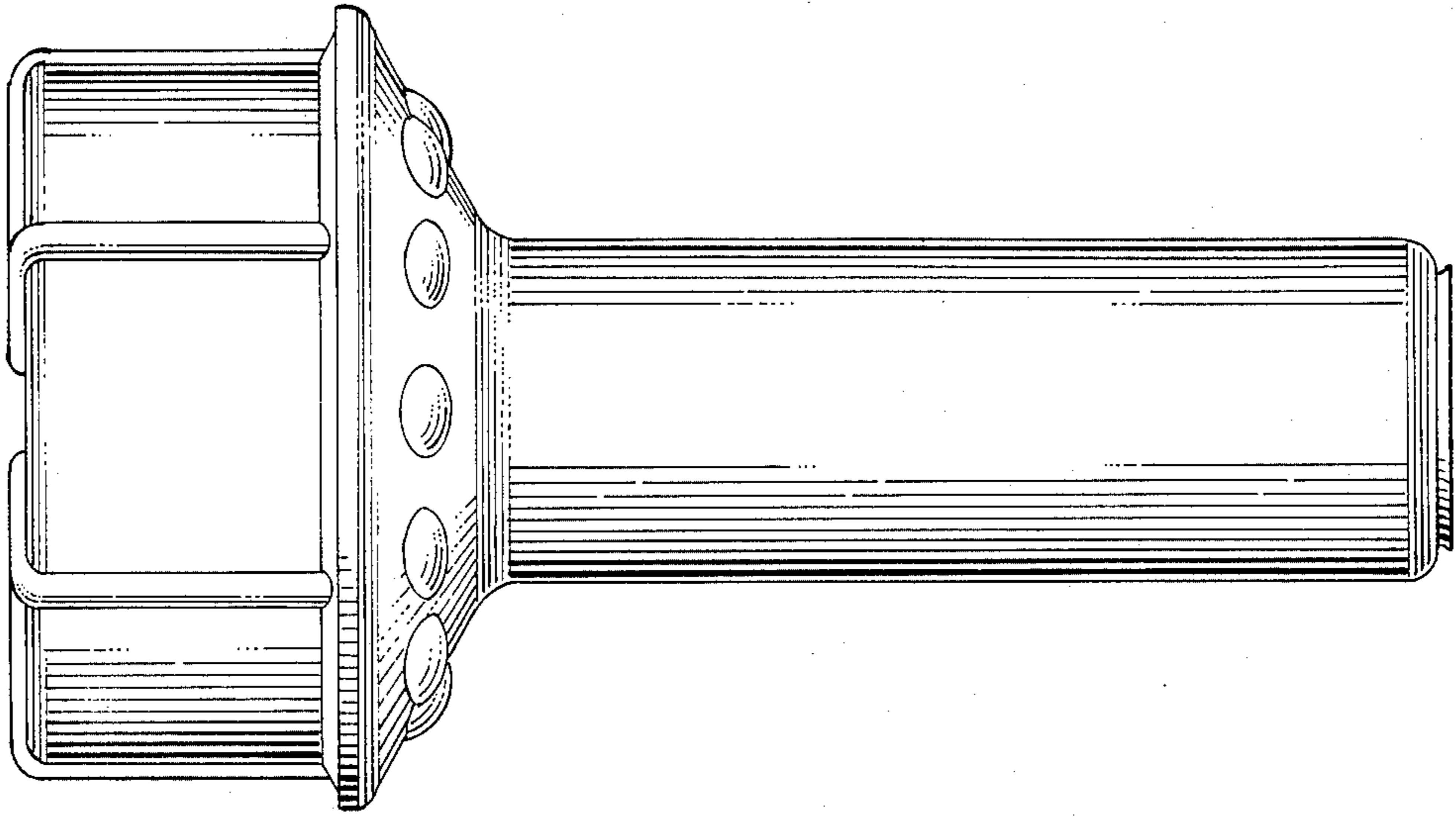


FIG. 7.

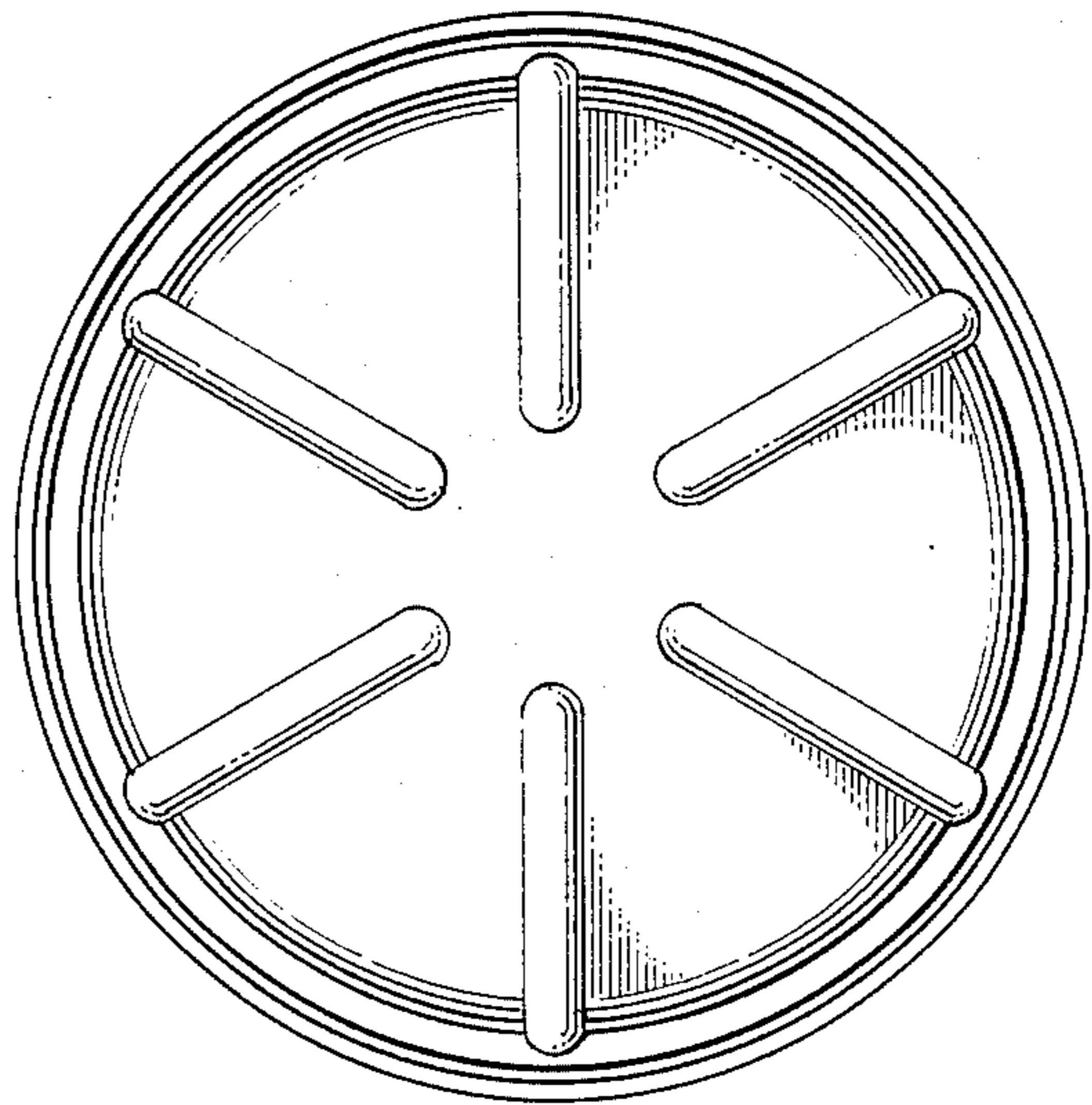


FIG. 8.

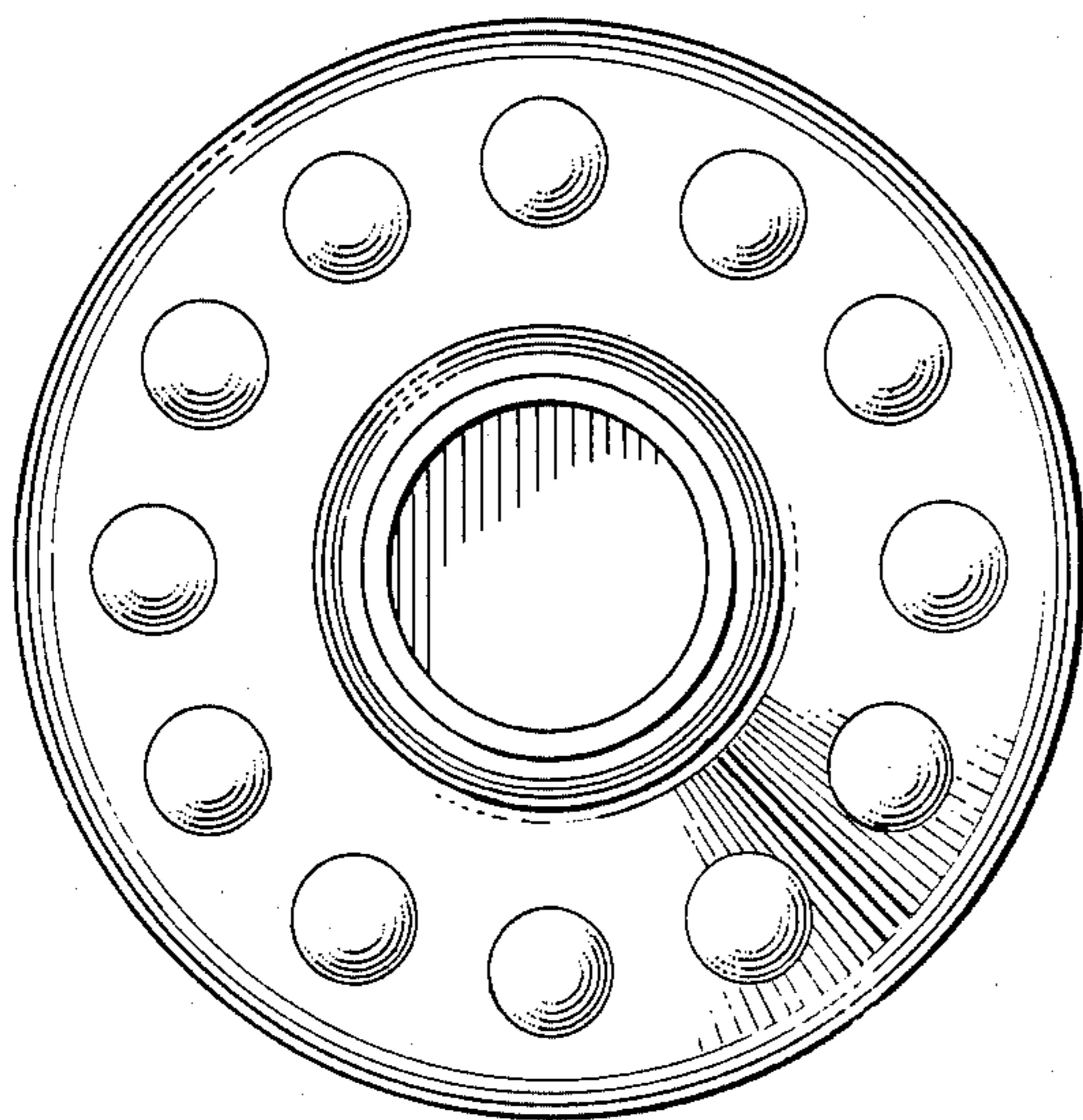


FIG. 9.

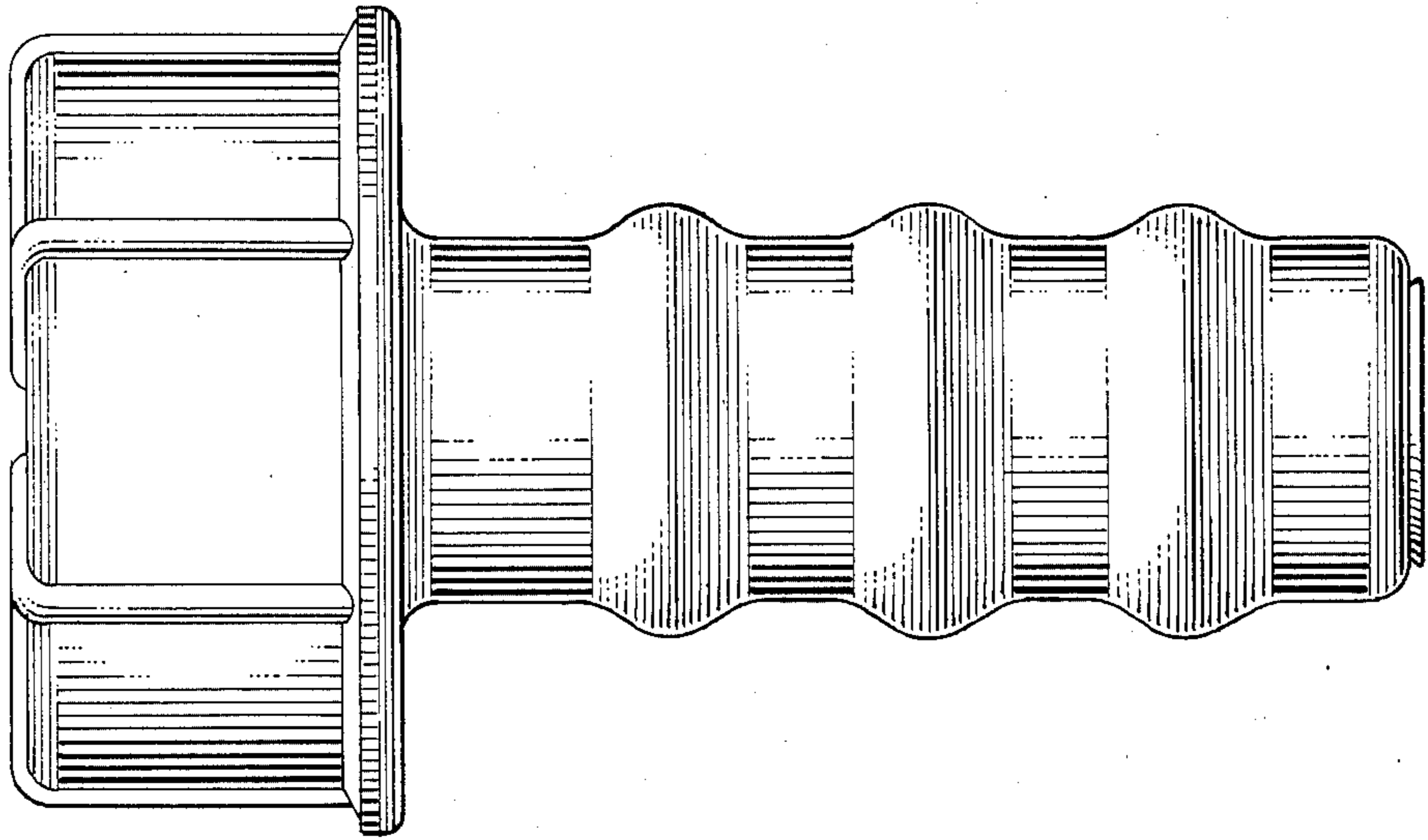


FIG. 10.

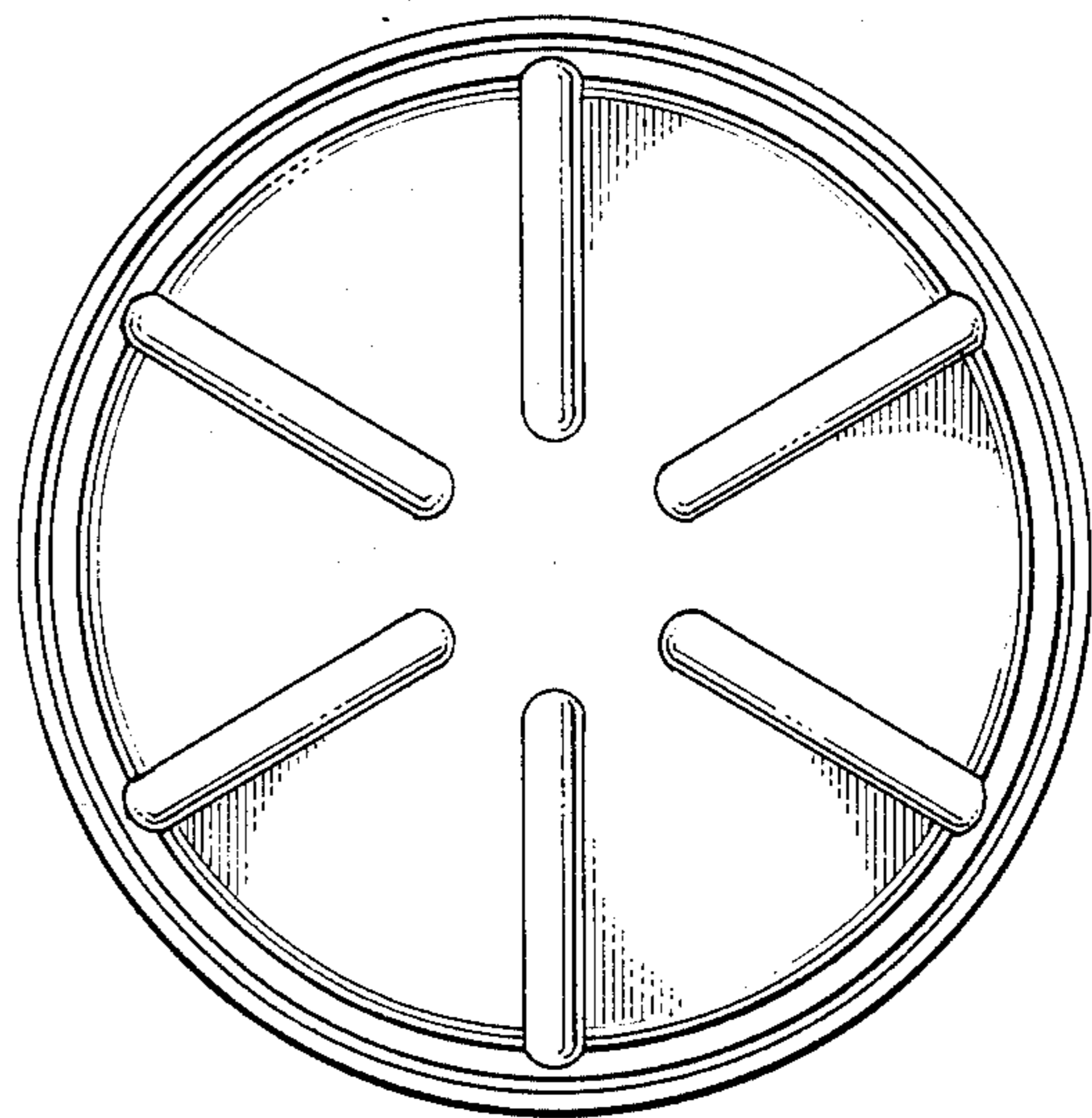


FIG. 11.

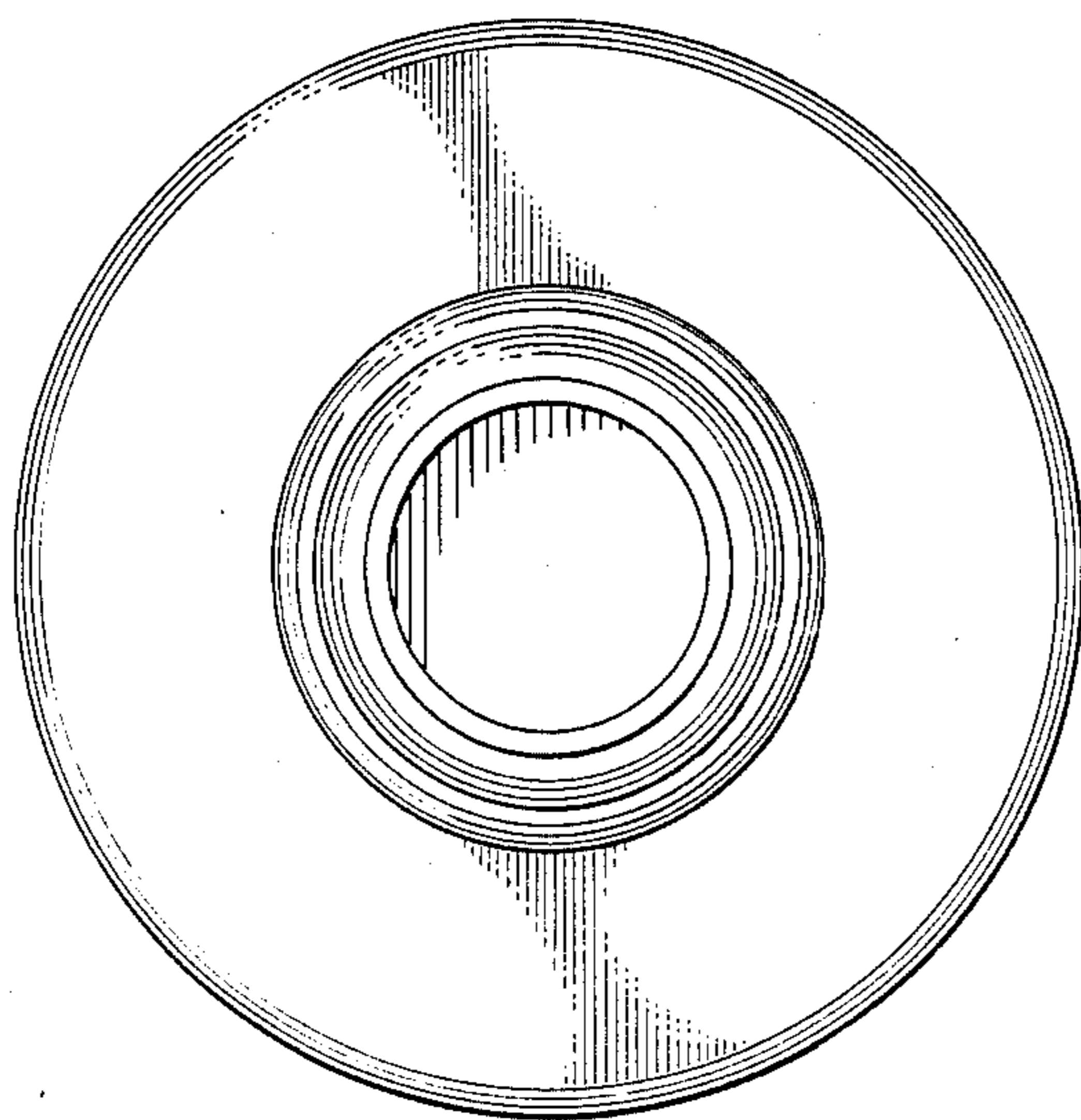


FIG. 12.