

United States Patent [19]

Spaulding et al.

[11] Patent Number: Des. 299,352

[45] Date of Patent: ** Jan. 10, 1989

[54] TORCH TIP

[75] Inventors: Richard A. Spaulding, Hanover;
Pearl A. Grant, Grantham, both of
N.H.

[73] Assignee: Thermal Dynamics Corporation, West
Lebanon, N.H.

[**] Term: 14 Years

[21] Appl. No.: 742,291

[22] Filed: Jun. 11, 1985

[52] U.S. Cl. D15/144; D8/30

[58] Field of Search D8/30; D15/144;
219/121 P, 121 PC, 121 PM, 121 PP, 121 PR

[56]

References Cited

U.S. PATENT DOCUMENTS

3,472,995 10/1969 Browning et al. 219/75
3,562,486 2/1971 Hatch et al. 219/121
3,813,510 5/1974 Hatch 219/121
4,579,282 4/1986 Navara et al. 219/121 PP

Primary Examiner—James M. Gandy
Attorney, Agent, or Firm—Majestic, Parsons, Siebert &
Hsue

[57]

CLAIM

The ornamental design for a torch tip, as shown.

DESCRIPTION

FIG. 1 is a side elevational view of a torch tip showing
our new design;

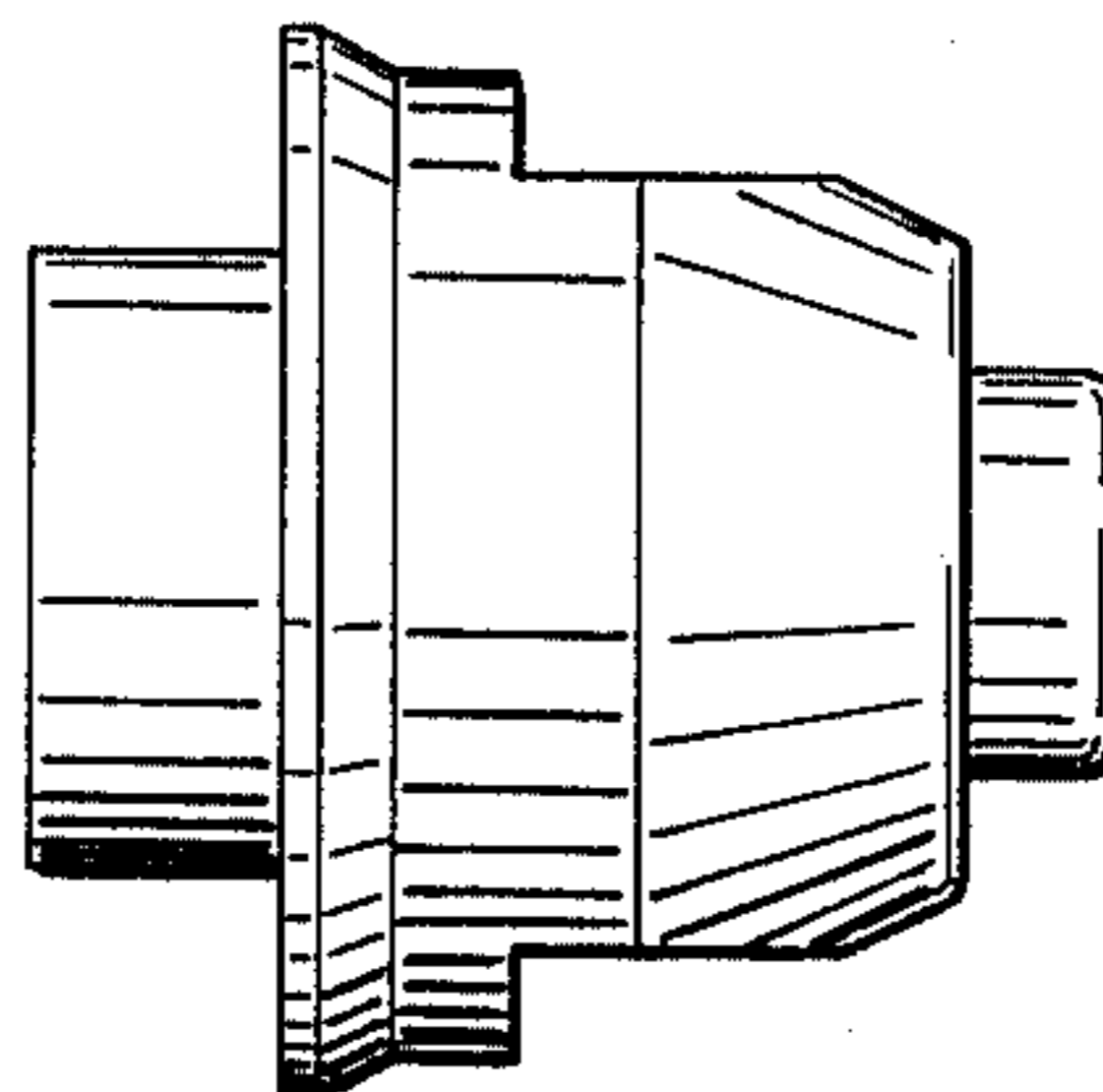
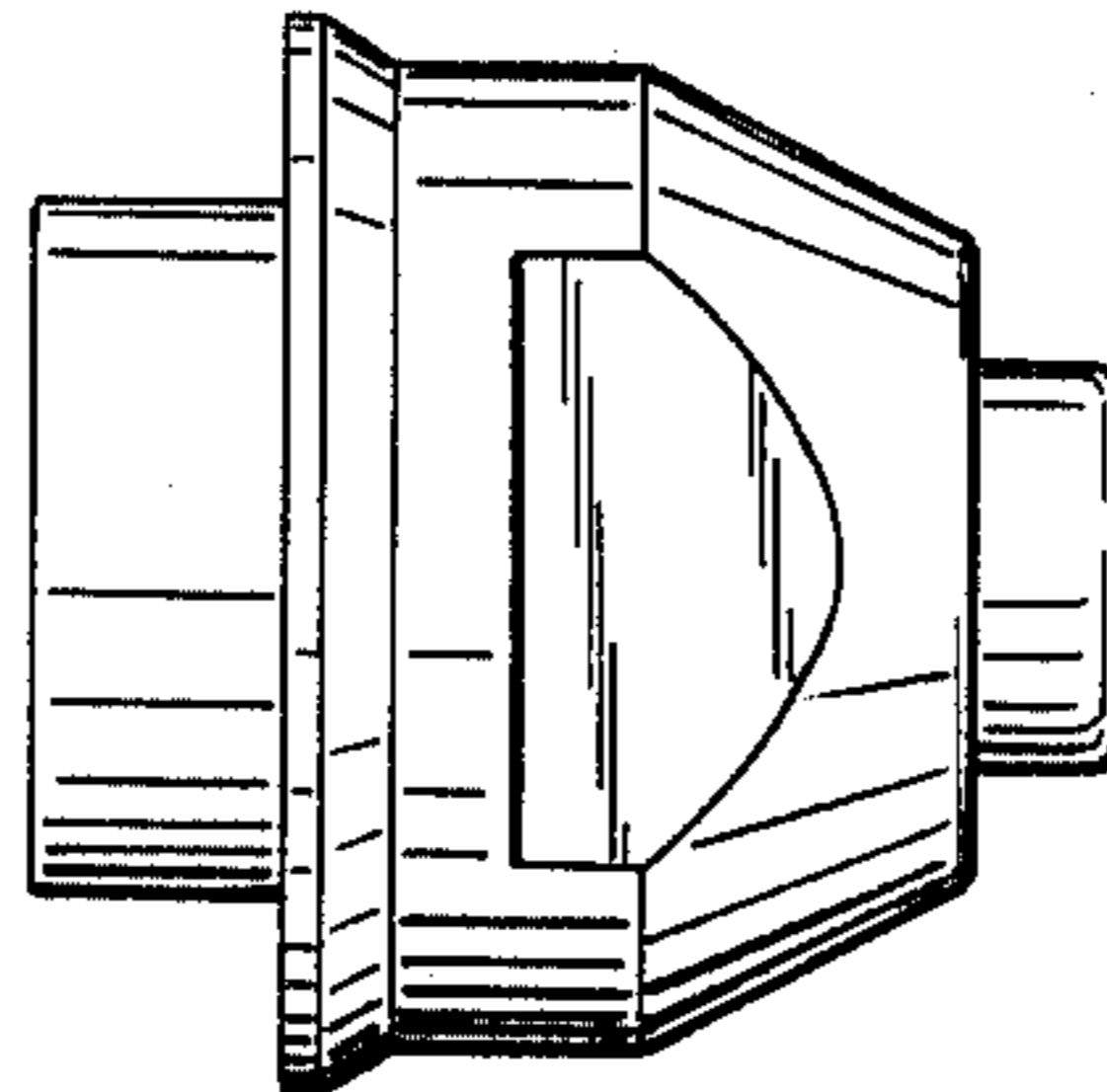
FIG. 2 is a top plan view thereof;

FIG. 3 is a left end elevation view thereof;

FIG. 4 is a right end elevation view thereof;

FIG. 5 is an opposite side elevation view thereof; and

FIG. 6 is a bottom plan view thereof.



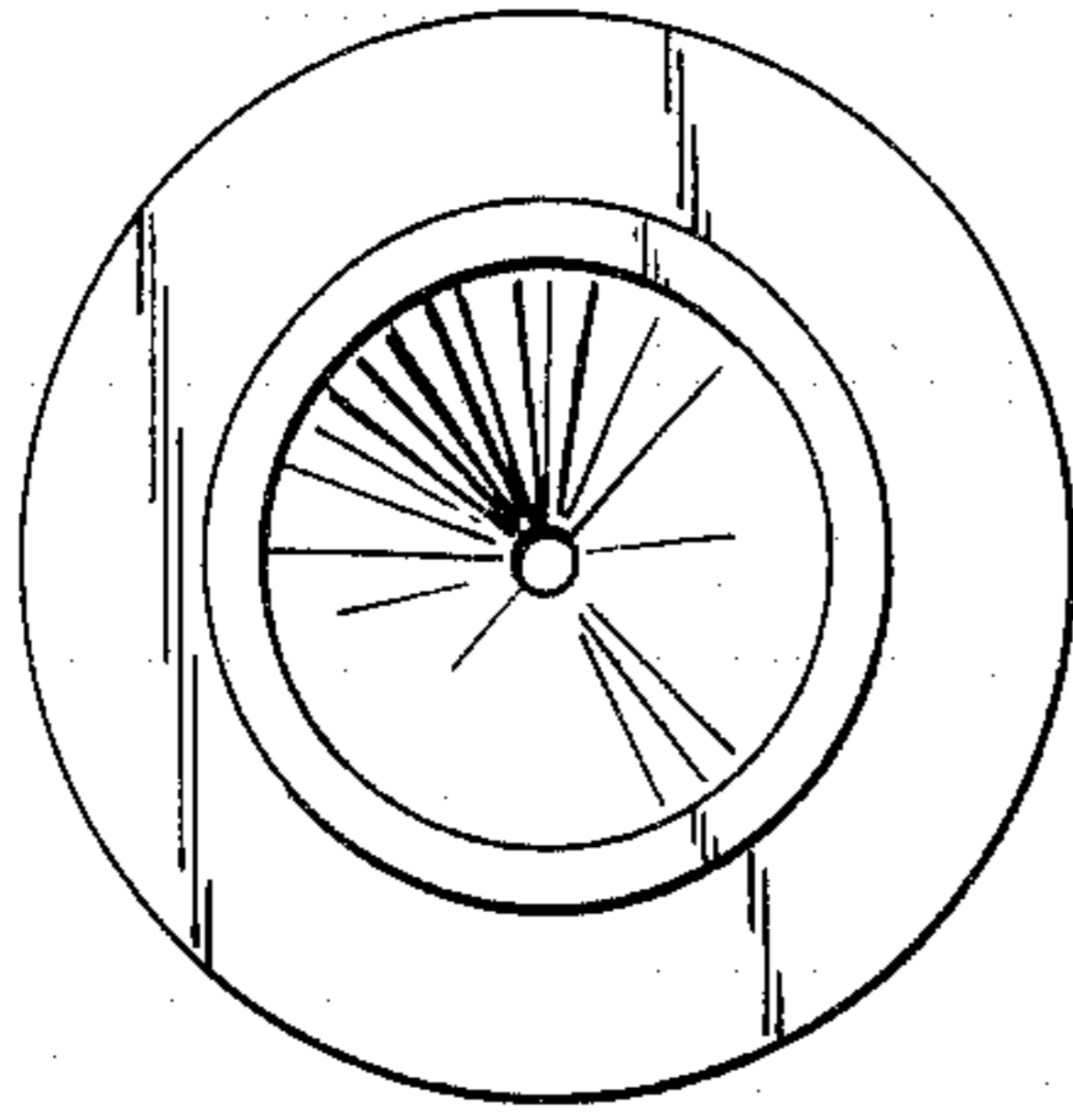


FIG. 3.

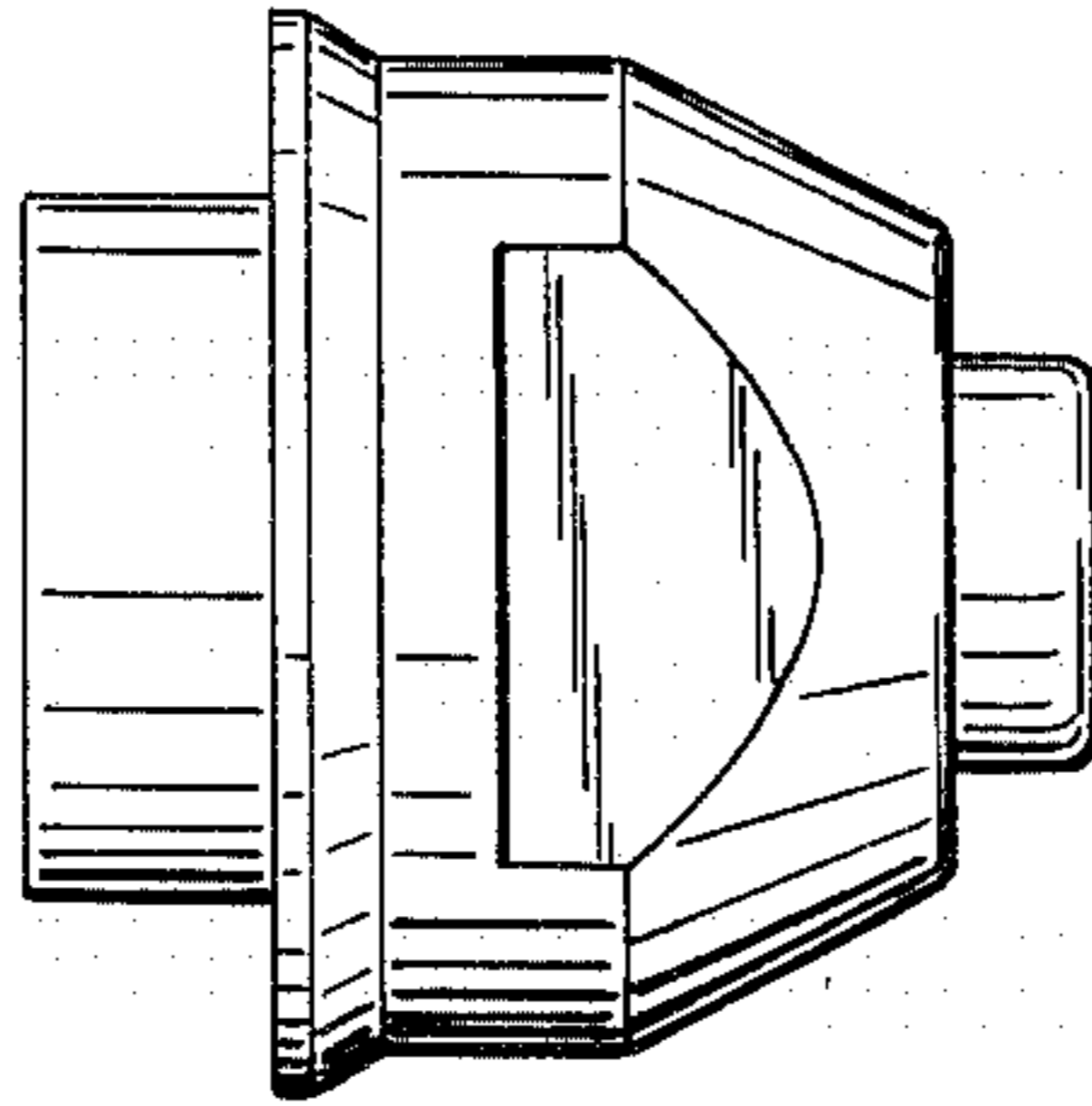


FIG. 1.

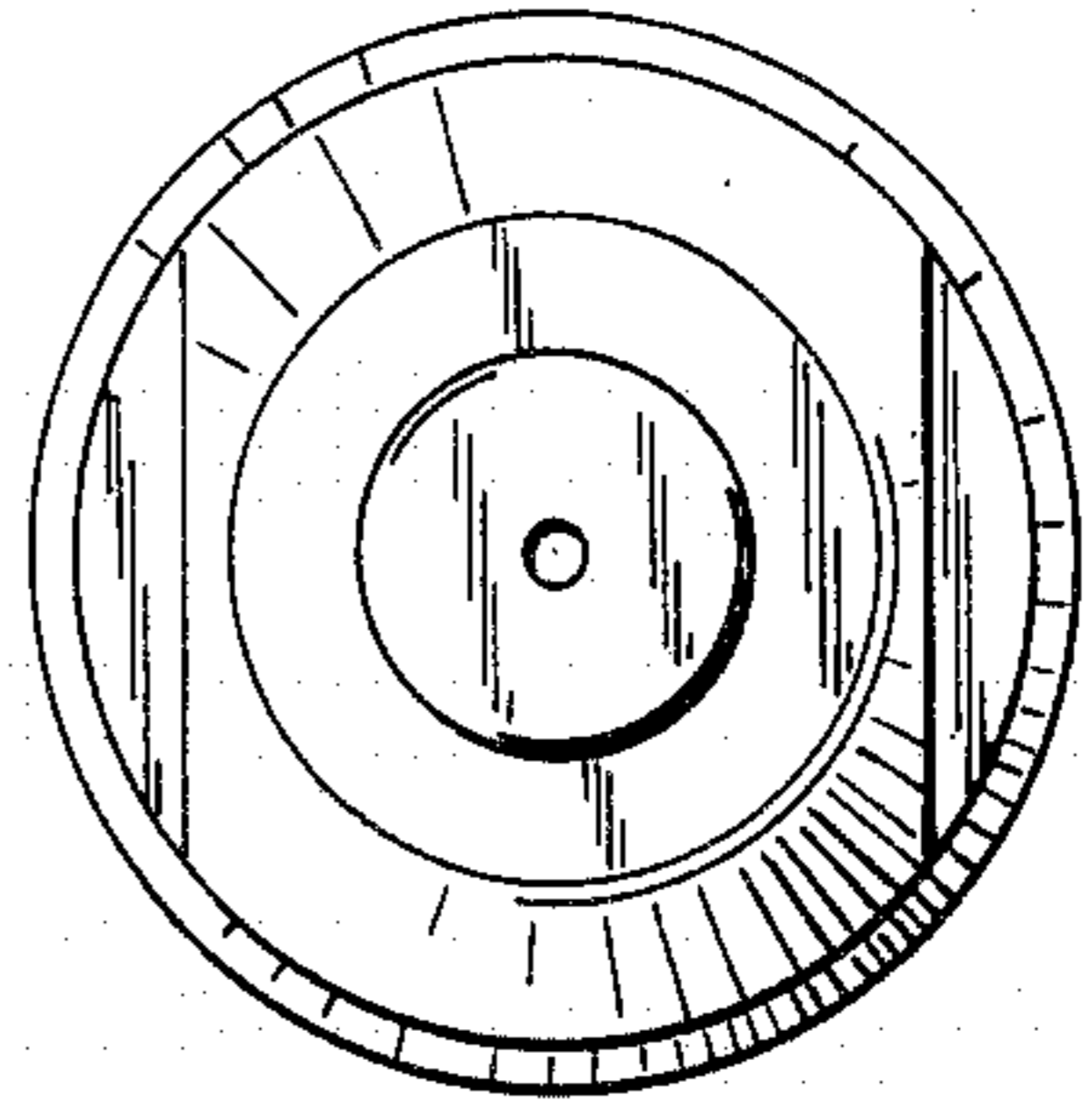


FIG. 4.

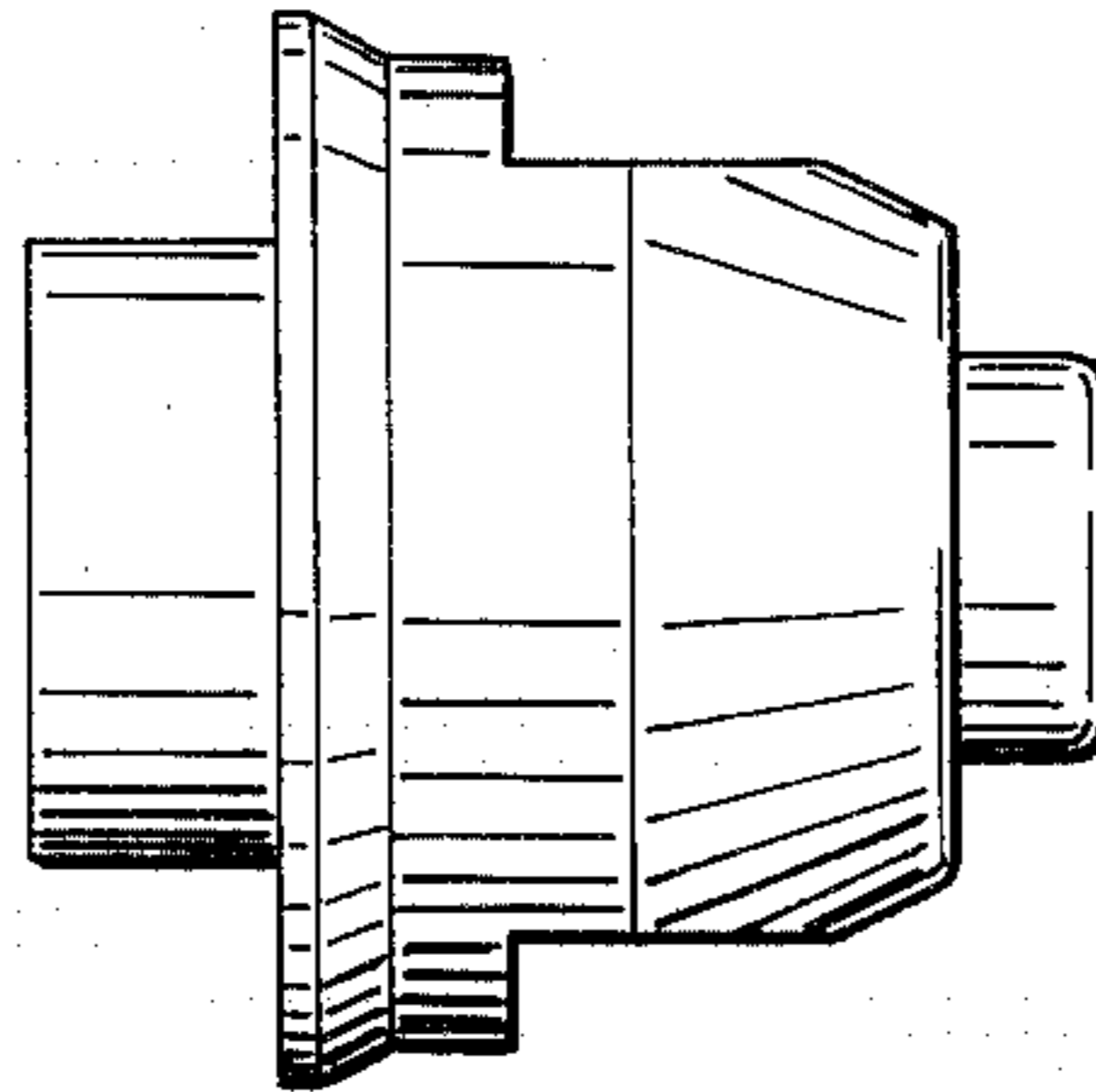


FIG. 2.

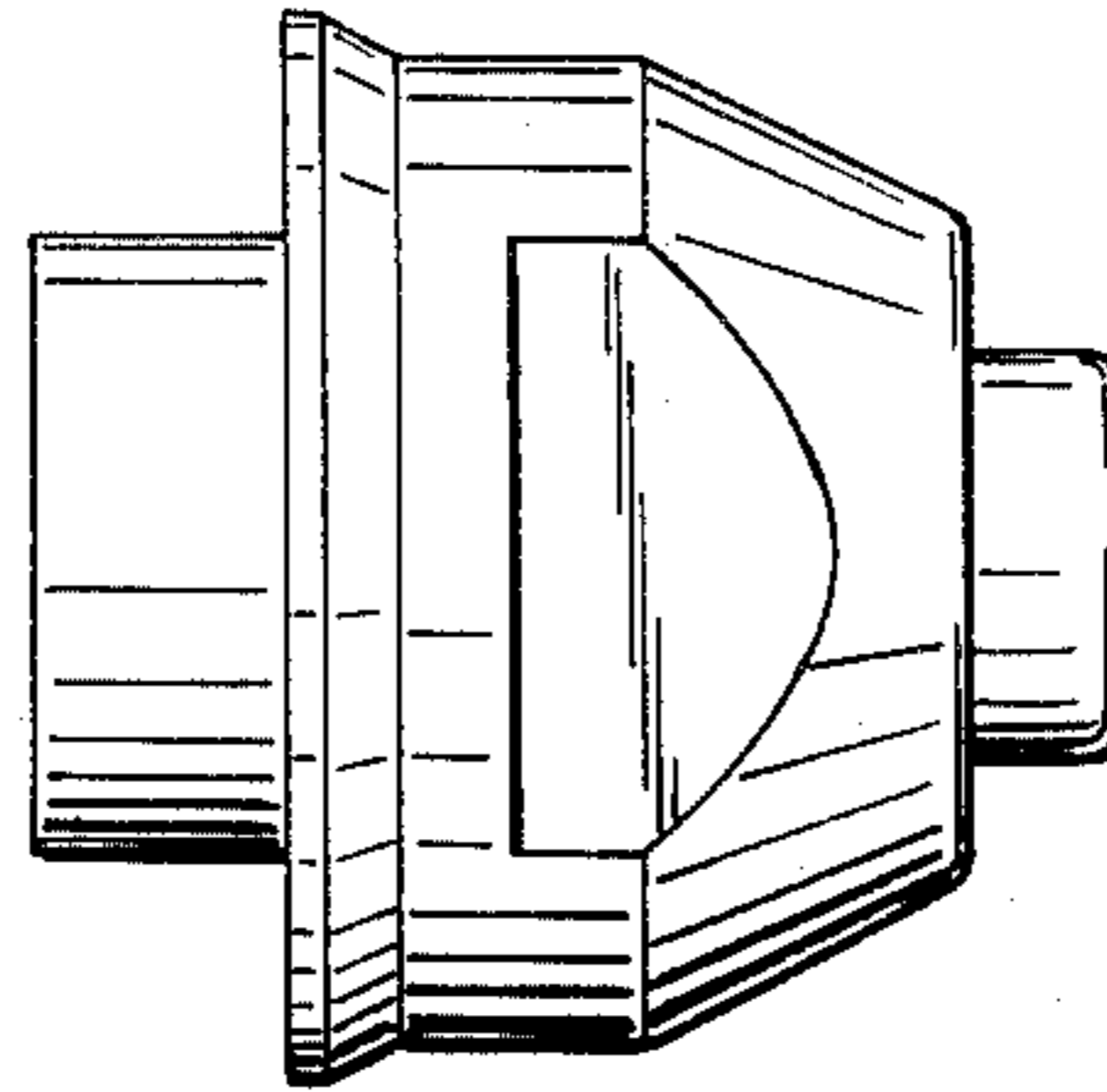


FIG. 5.

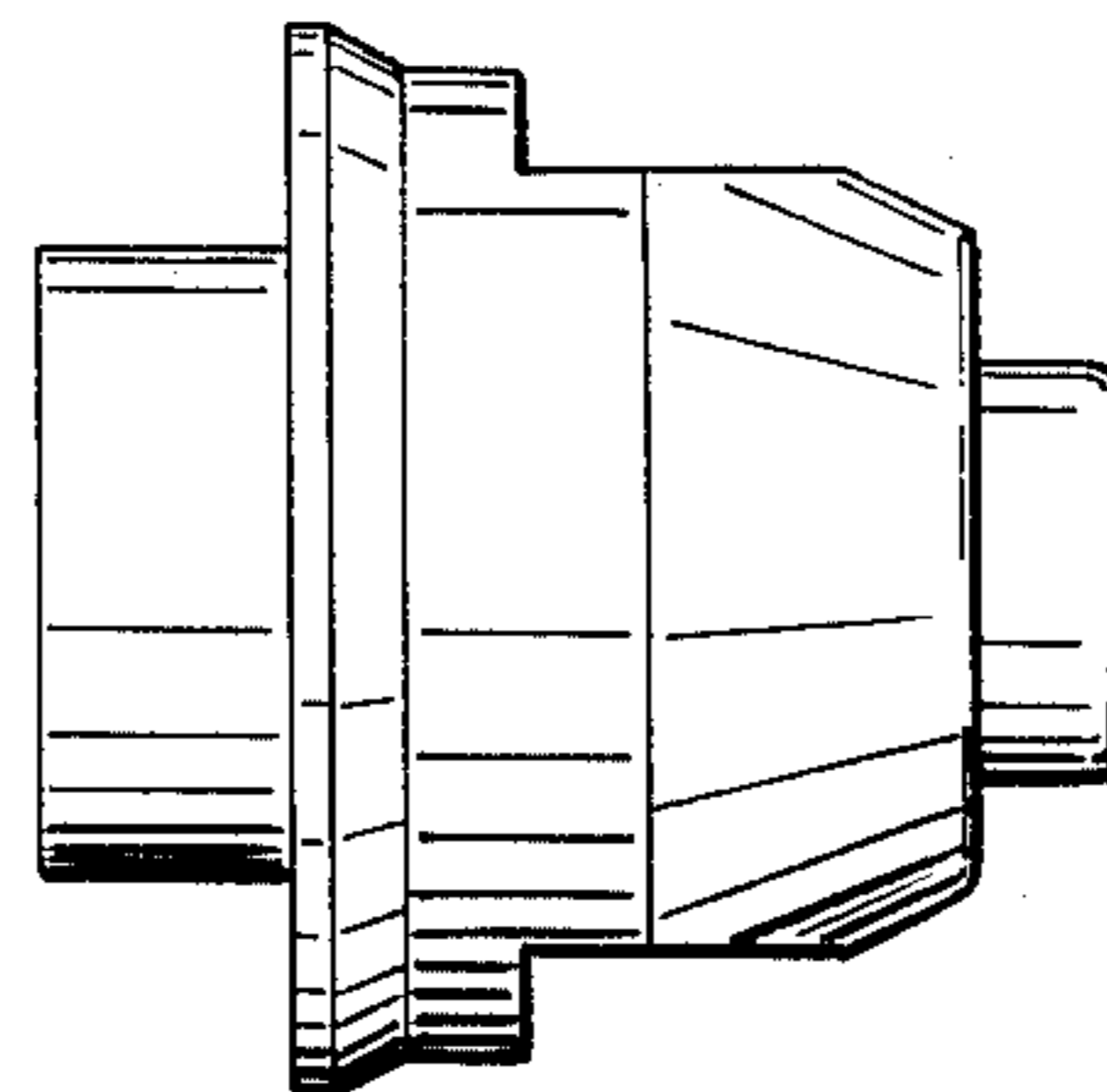


FIG. 6.