

[54] **TURNABLE AND REPLACEABLE MEMBER FOR PLOWSHARE**

[75] Inventor: **Olav Nja, Kvernaland, Norway**

[73] Assignee: **Kverneland A/S, Kvernaland, Norway**

[\*\*] Term: **14 Years**

[21] Appl. No.: **816,115**

[22] Filed: **Jan. 3, 1986**

[30] **Foreign Application Priority Data**

Jul. 8, 1985 [NO] Norway ..... 66445

[52] U.S. Cl. .... **D15/11**

[58] **Field of Search** ..... **D15/10-12, D15/28-29, 32; 111/7; 172/699, 703, 701.03, 713, 719-724, 730-733, 749, 751, 753, 754, 762-763, 765, 770-772.5; 241/194; 56/249-249.5, 289, 293-294**

[56] **References Cited**

**U.S. PATENT DOCUMENTS**

- D. 260,772 9/1981 Johnson et al. .... D15/29
- D. 277,860 3/1985 Hellden ..... D15/11
- 1,217,011 2/1917 Kessler ..... 172/723

2,786,404 3/1957 Gardner ..... 172/699

**FOREIGN PATENT DOCUMENTS**

- 2100562 1/1983 United Kingdom ..... 172/772.5
- 2108361 5/1983 United Kingdom ..... 172/772.5

**OTHER PUBLICATIONS**

Implement & Tractor, Manufactures Edition, Aug. 1983, ME-33 (pg. no.).

*Primary Examiner*—James M. Gandy  
*Assistant Examiner*—Ruth Takemoto  
*Attorney, Agent, or Firm*—Foley, Lardner, Schwartz, Jeffery, Schwaab, Mack, Blumenthal & Evans

[57] **CLAIM**

The ornamental design for a turnable and replaceable member for plowshare, as shown.

**DESCRIPTION**

FIG. 1 is a top perspective view of a turntable and replaceable member for plowshare showing my new design;

FIG. 2 is a top plan view thereof;

FIG. 3 is a side elevational view thereof;

FIG. 4 is a bottom plan view thereof; and

FIG. 15 is an end elevational view thereof.

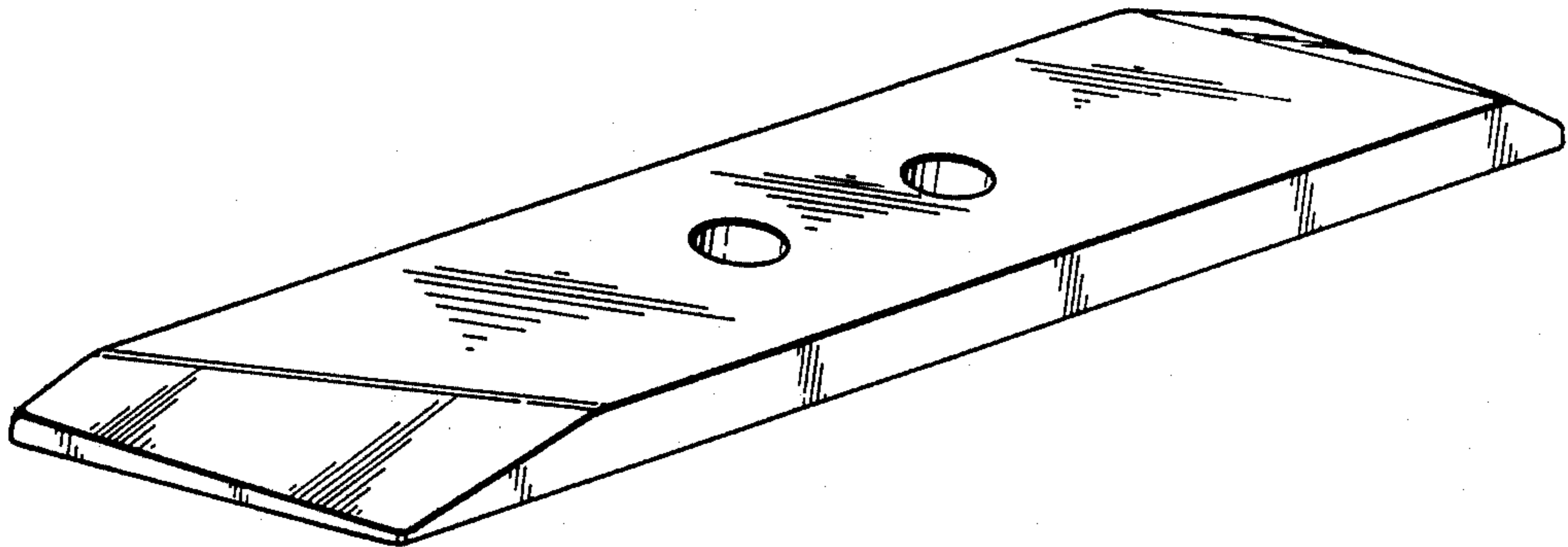


Fig. 1

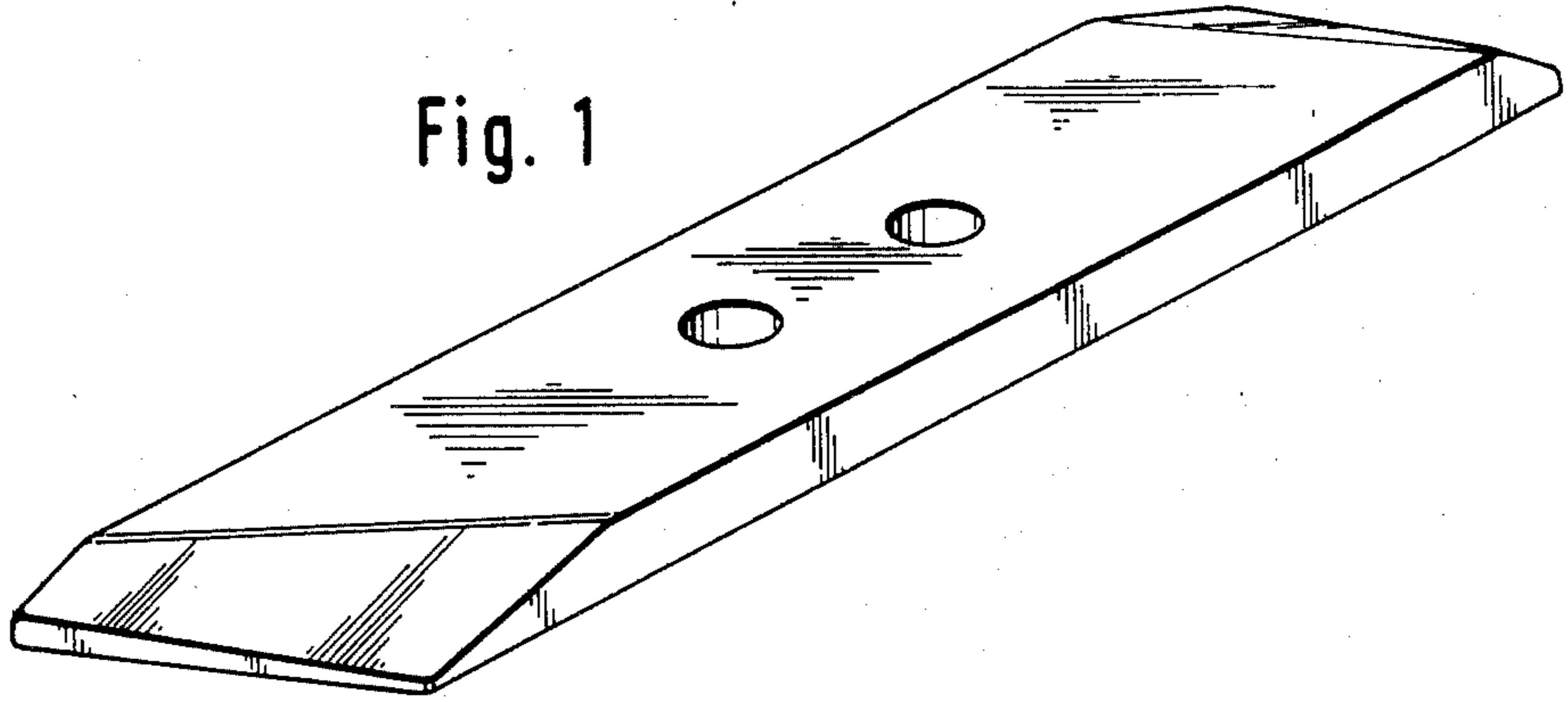


Fig. 2

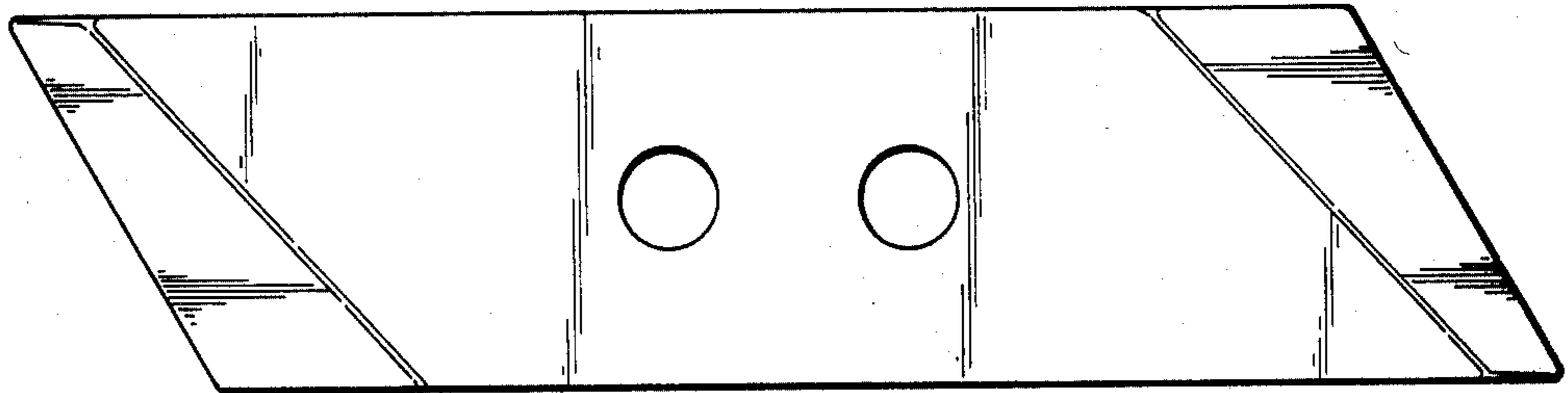


Fig. 3

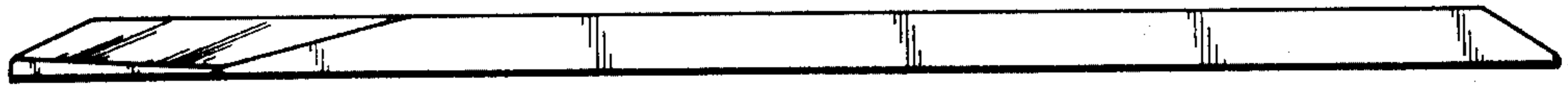


Fig. 4

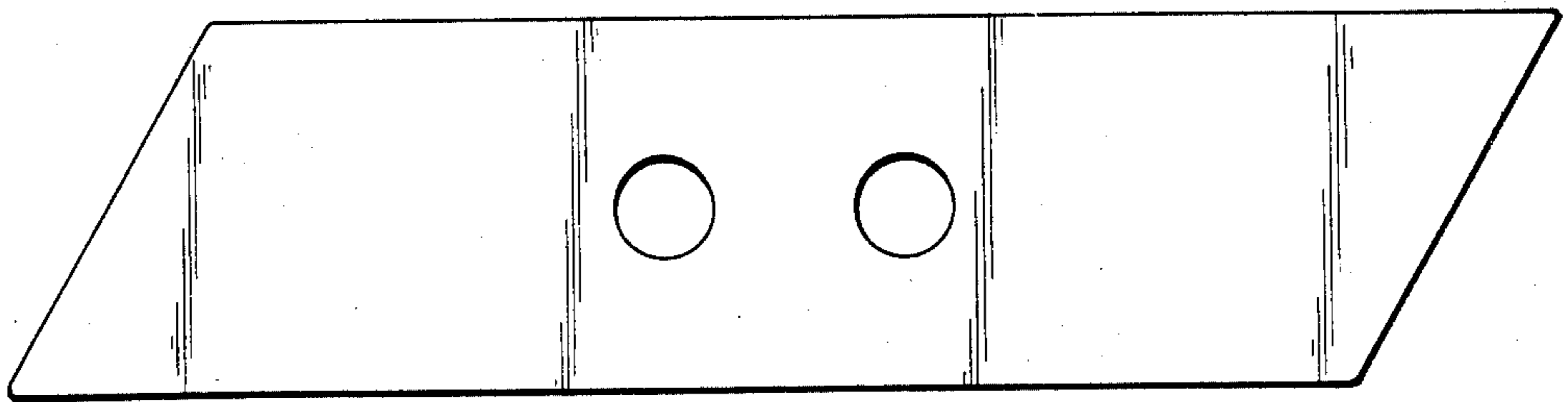


Fig. 5

