

United States Patent [19]

Lehman

[11] Patent Number: Des. 299,346

[45] Date of Patent: ** Jan. 10, 1989

[54] **PRINTER FOR ELECTRONIC COMPUTER**

[75] Inventors: **David A. Lehman, Dayton; Michael A. Walters, Kettering, both of Ohio**

[73] Assignee: **Eastman Kodak Company, Rochester, N.Y.**

[**] Term: **14 Years**

[21] Appl. No.: **857,591**

[22] Filed: **Apr. 24, 1986**

[52] U.S. Cl. **D14/111**

[58] Field of Search **D14/100, 106, 107, 111, D14/114; D18/13, 18, 22; 400/689, 690, 690.1, 690.4, 691, 693**

[56] **References Cited**

U.S. PATENT DOCUMENTS

D. 269,782 7/1983 Canning et al. D14/111
D. 279,474 7/1985 Akagi et al. D14/100
D. 289,167 4/1987 Otsuka D14/111
D. 289,293 4/1987 Sugawara et al. D14/111

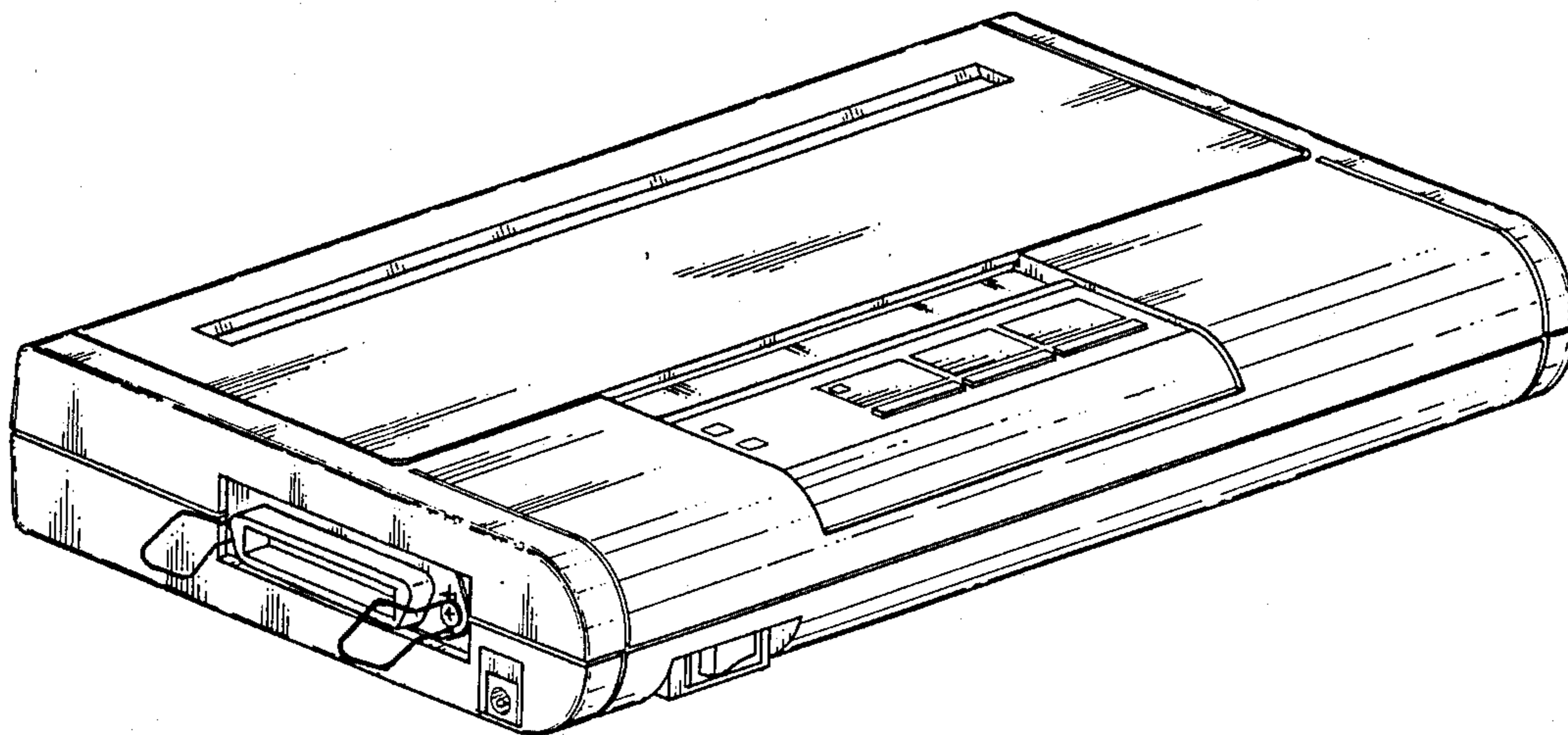
Primary Examiner—Susan J. Lucas
Attorney, Agent, or Firm—Thomas H. Close

[57] **CLAIM**

The ornamental design for a printer for electronic computer, as shown and described.

DESCRIPTION

FIG. 1 is a front perspective view of a printer for electronic computer showing my new design; FIG. 2 is a rear perspective view thereof; FIG. 3 is a bottom plan view thereof; and FIG. 4 is a front elevational view thereof; and FIG. 5 is a top plan view thereof.



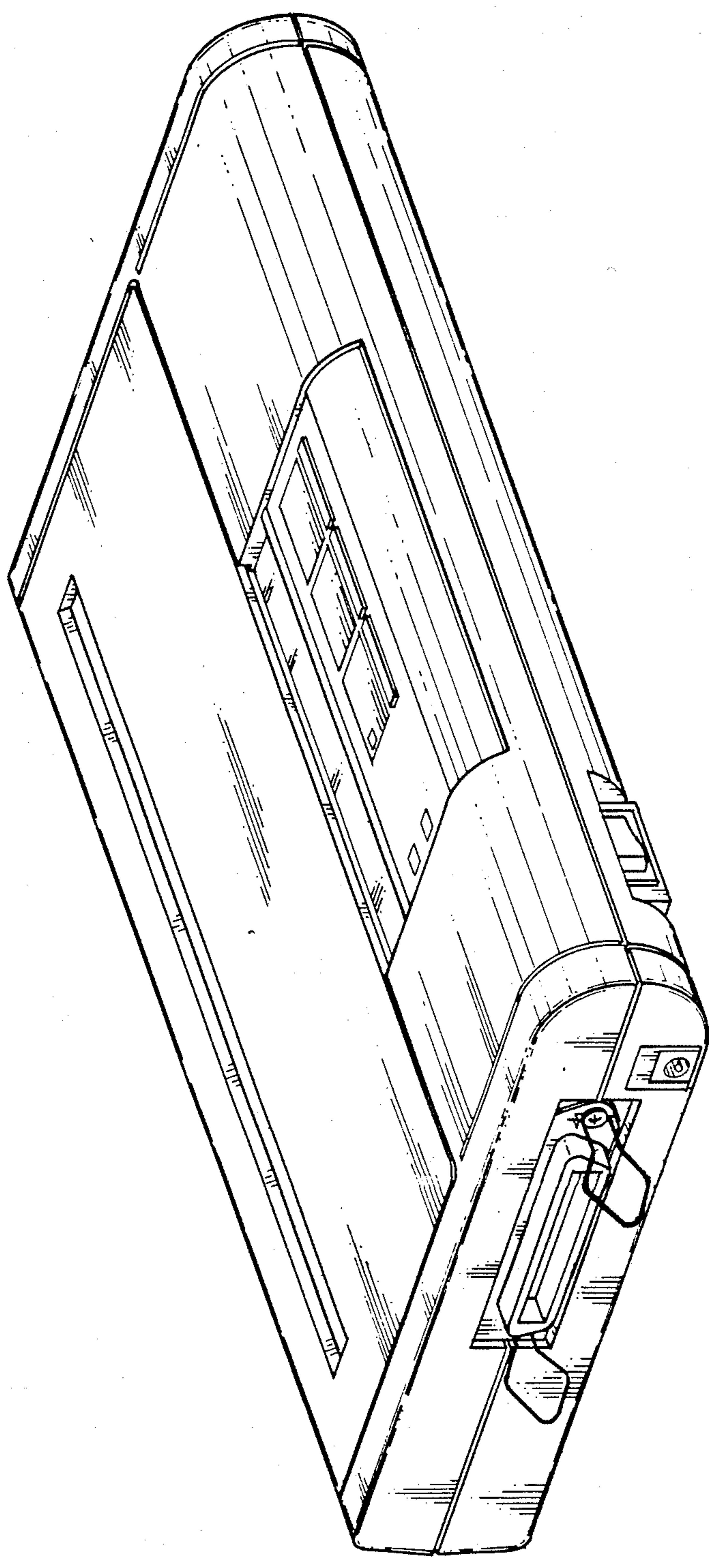


FIG. 1

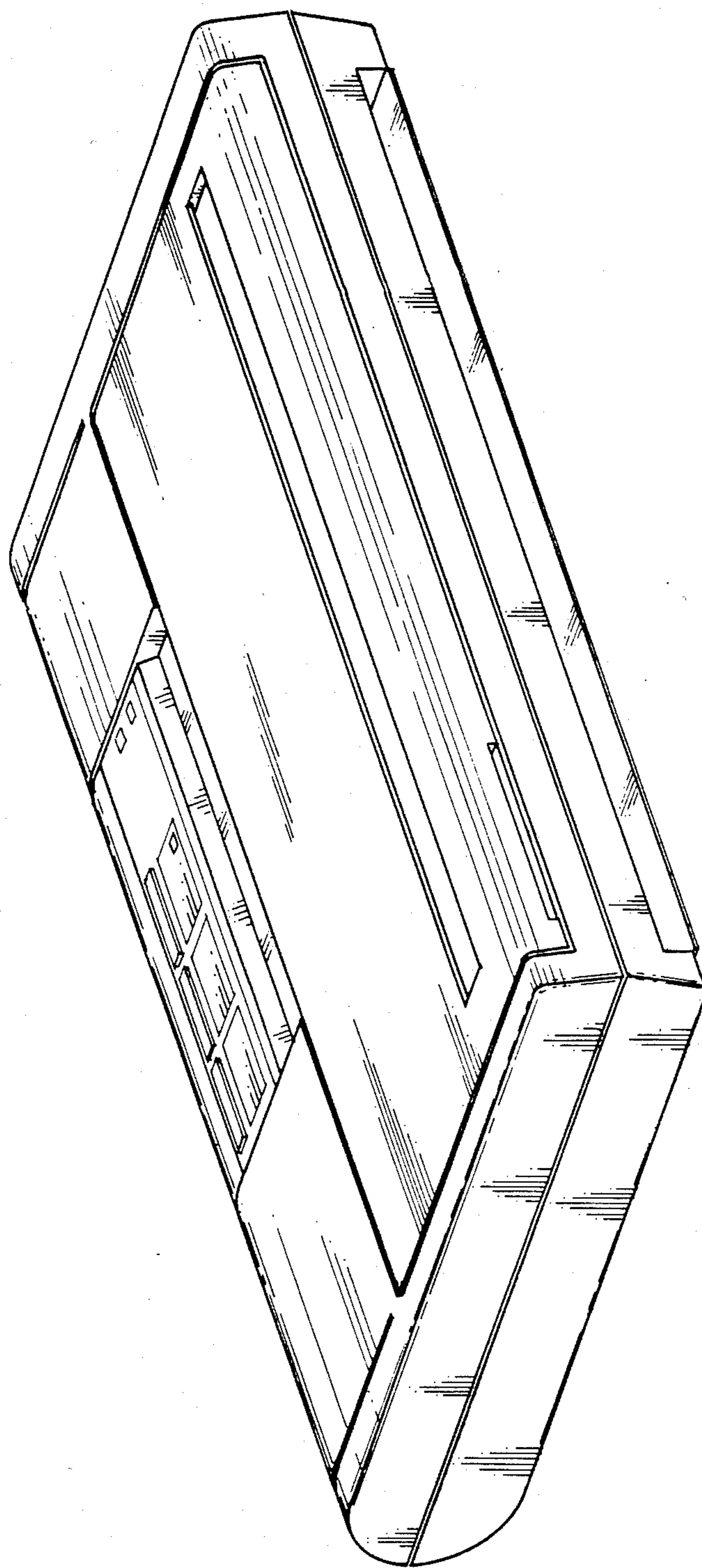


FIG. 2

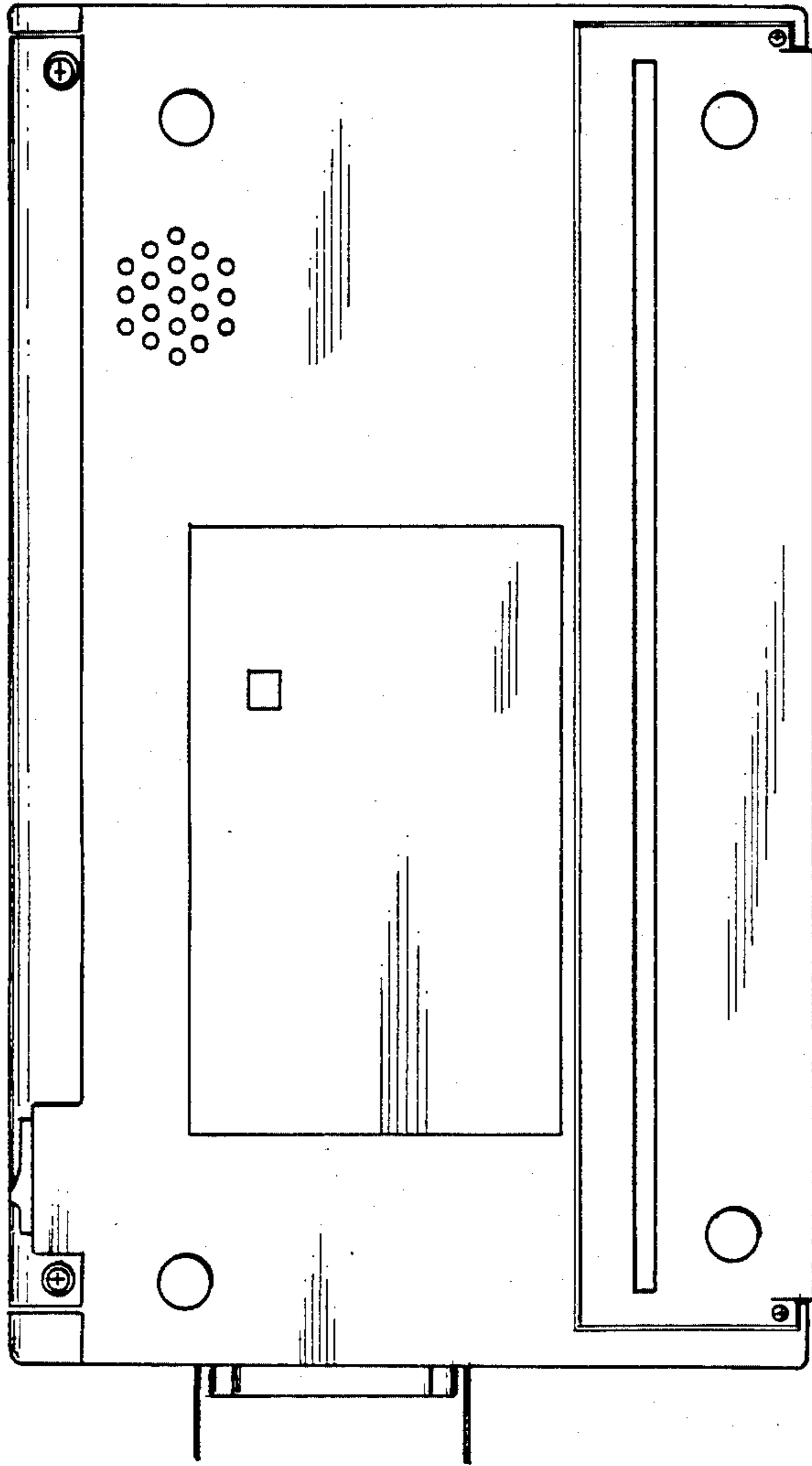


FIG. 3

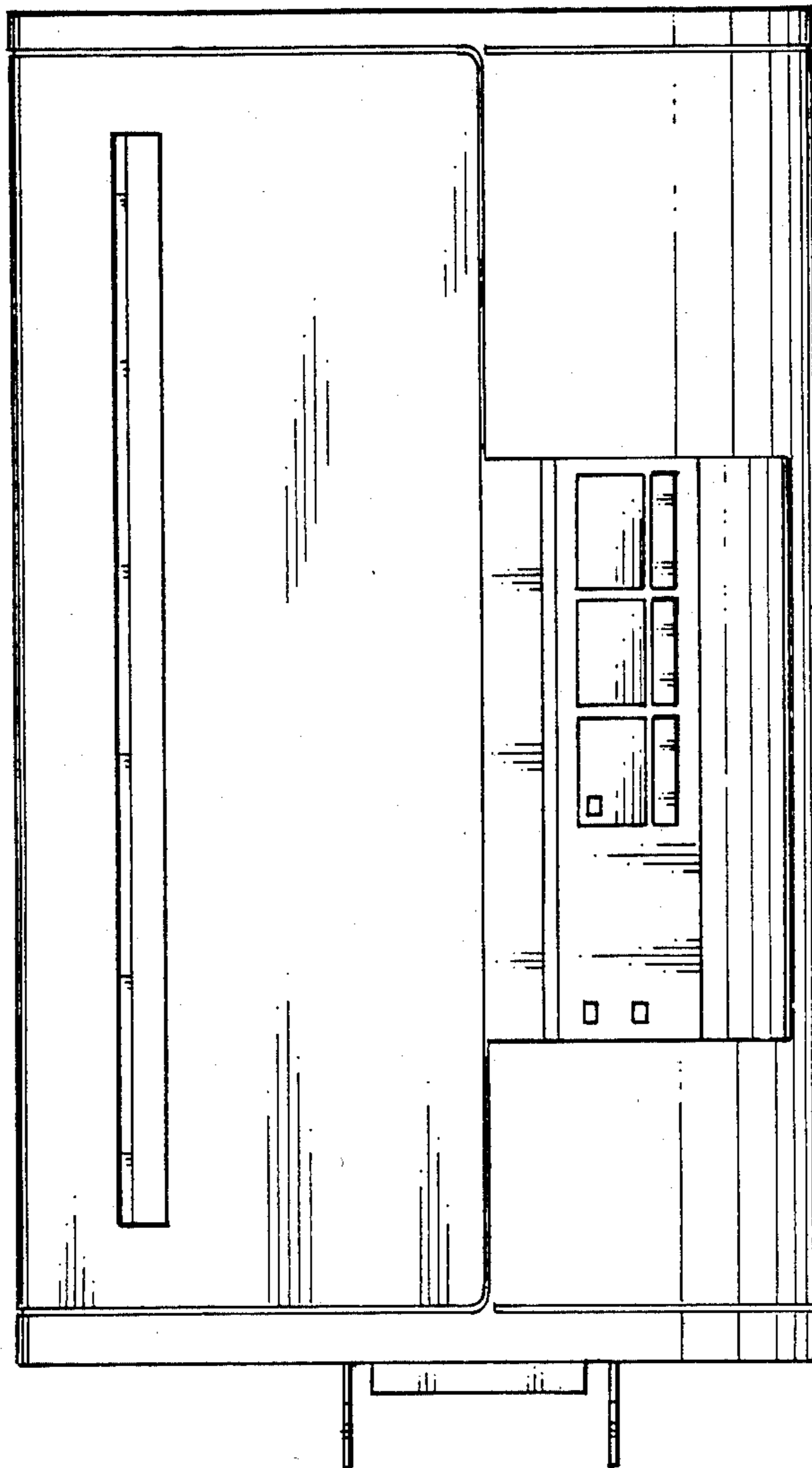


FIG. 4

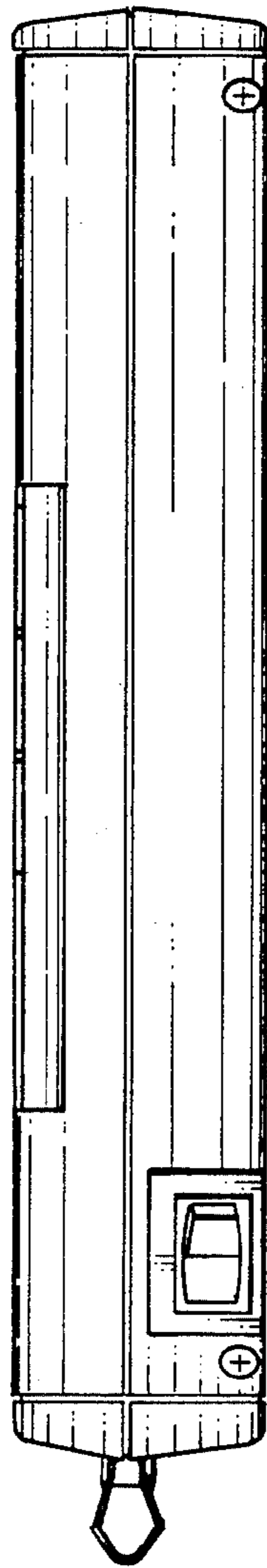


FIG. 5