

[54] **HANDSET TRANSCEIVER AND TELEPHONE DIALER STAND WITH DISPLAY PANEL**

[75] Inventor: **Karl Buchin**, Berlin, Fed. Rep. of Germany

[73] Assignee: **Krone AG**, Berlin, Fed. Rep. of Germany

[\*\*] Term: **14 Years**

[21] Appl. No.: **35,306**

[22] Filed: **Apr. 7, 1987**

[30] **Foreign Application Priority Data**

Oct. 9, 1986 [DE] Fed. Rep. of Germany ..... 95-MR5668NZ

[52] U.S. Cl. .... **D14/151; D14/241**

[58] Field of Search ..... D14/53, 62, 63, 58, D14/57, 64, 56; 379/440, 419, 420, 428, 432, 433, 434, 435, 436

[56] **References Cited**

**U.S. PATENT DOCUMENTS**

- D. 282,659 2/1986 Abrams ..... D14/63
- D. 284,057 7/1986 Marshall ..... D14/62 X
- D. 284,079 6/1986 Kita et al. .... D14/56
- D. 285,921 9/1986 Beese ..... D14/62 X
- D. 287,124 12/1986 Becker ..... D14/64 X

- D. 290,602 6/1987 Offredi ..... D14/57 X
- D. 291,565 8/1987 Okuda ..... D14/53 X
- D. 293,326 12/1987 Ng ..... D14/58 X
- D. 294,250 2/1988 Watanabe ..... D14/52 X
- D. 294,251 2/1988 Sekiguchi et al. .... D14/58
- D. 296,784 7/1988 Yomagishi ..... D14/57 X

*Primary Examiner*—Horace B. Fay, Jr.  
*Attorney, Agent, or Firm*—St. Onge Steward Johnston & Reens

[57] **CLAIM**

The ornamental design of a handset transceiver and telephone dialer stand with display panel, as shown and described.

**DESCRIPTION**

FIG. 1 is a left side, top, and front perspective view of a handset transceiver and telephone dialer stand with display panel showing my new design in cradled relationship;

FIG. 2 is a left side, top and front perspective view of the telephone dialer stand and a right side, bottom and front perspective view of the handset transceiver spaced apart from the stand; and

FIG. 3 is a rear perspective view thereof. The uninterrupted persistence of the telephone cord is indicated by broken line continuation for convenience of illustration.

The undisclosed right side of the stand is plain and unadorned.

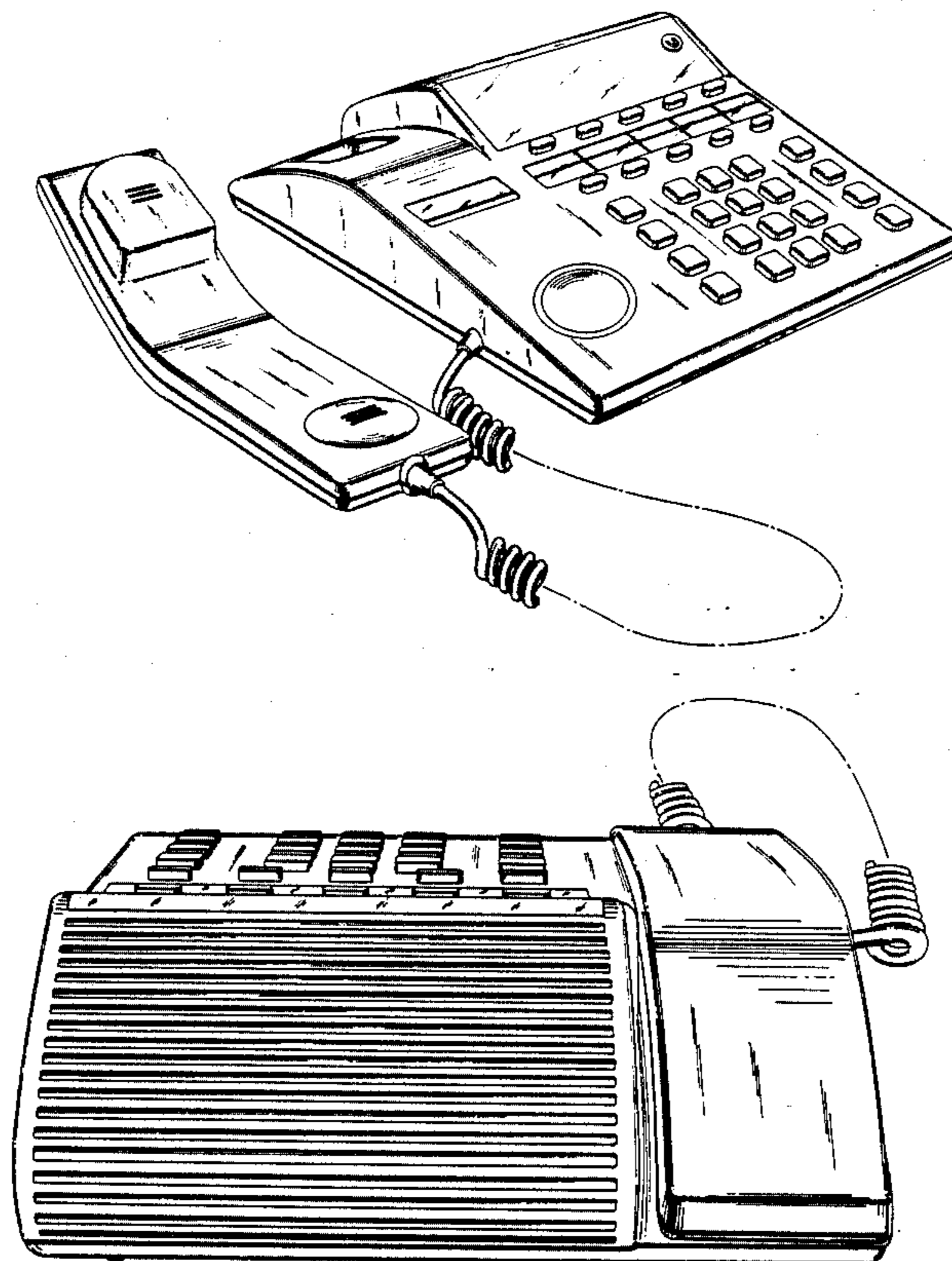
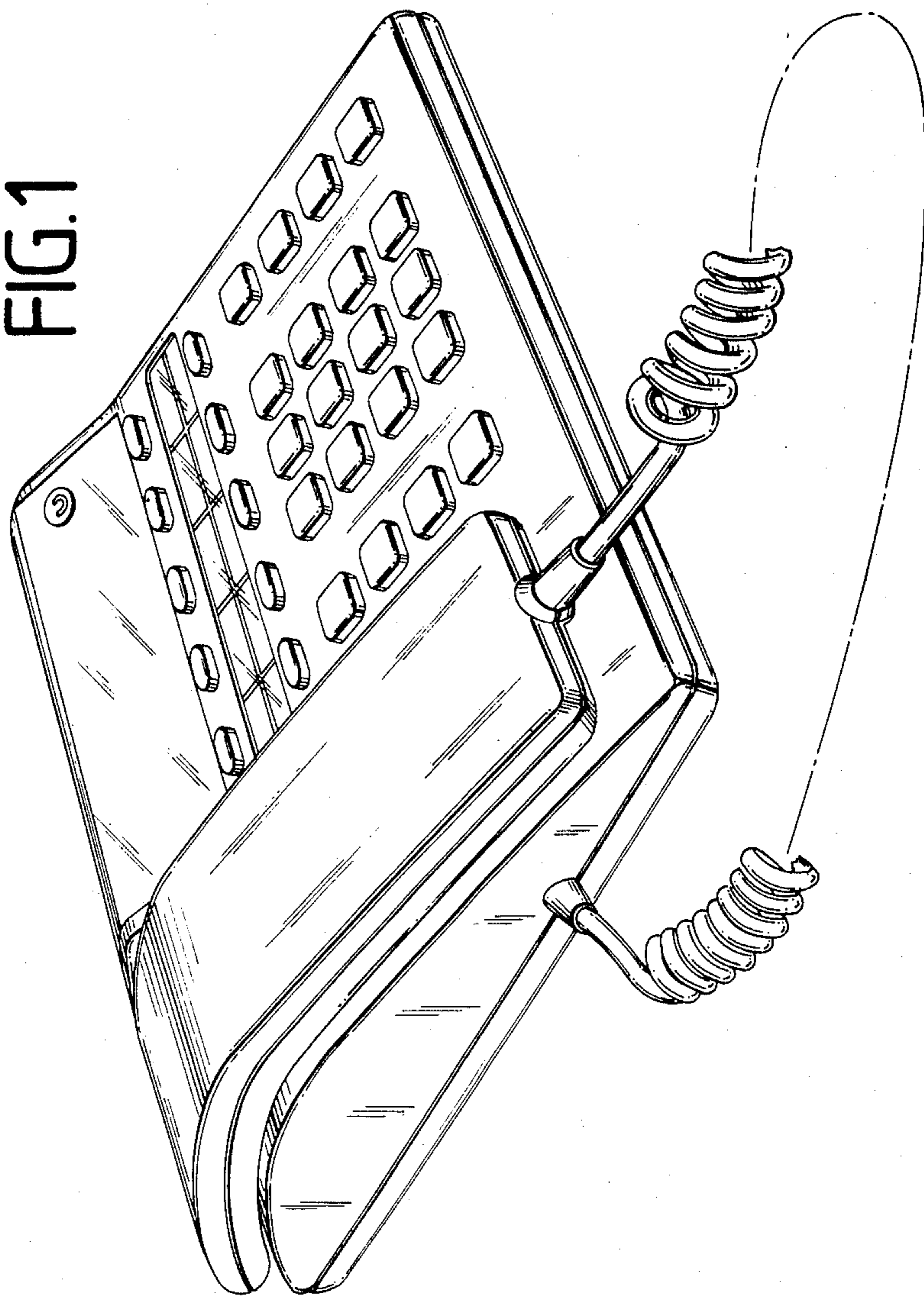


FIG. 1





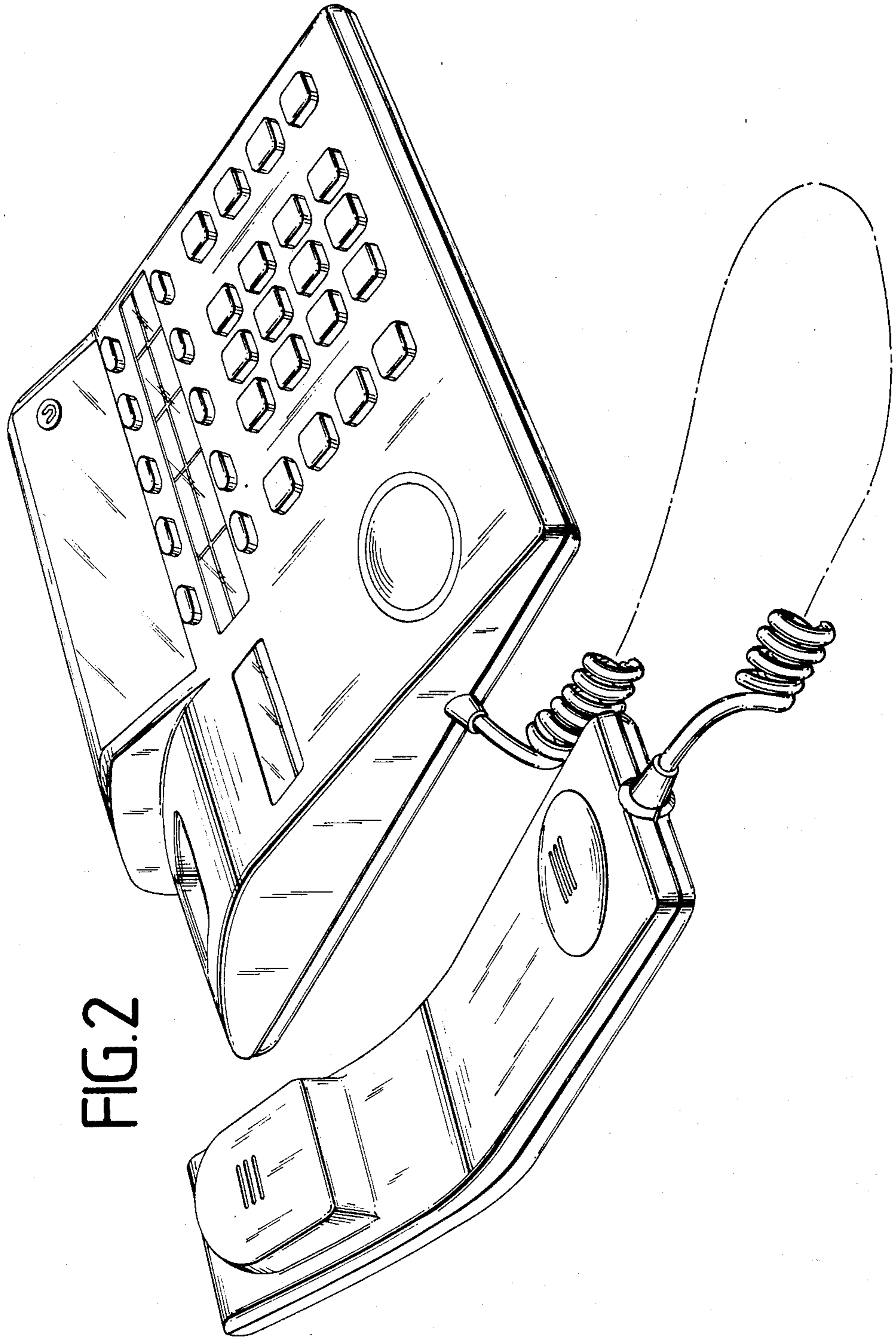


FIG. 2

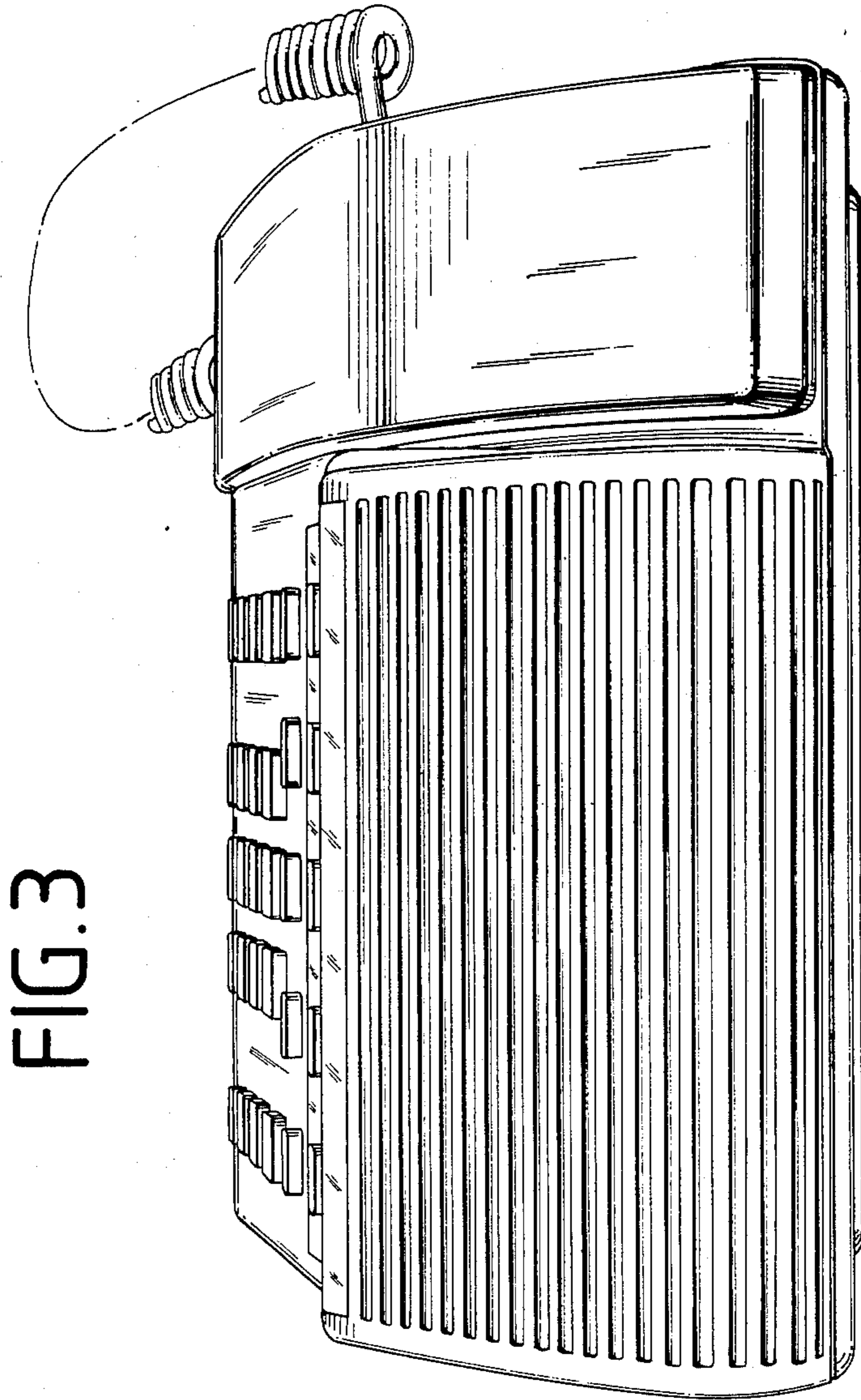


FIG. 3