

[54] MICROPHONE BOOM HINGE

[75] Inventor: Christopher D. Wiegel, Minneapolis, Minn.

[73] Assignee: Telex Communications, Inc., Minneapolis, Minn.

[**] Term: 14 Years

[21] Appl. No.: 934,129

[22] Filed: Nov. 24, 1986

[52] U.S. Cl. D14/229; D14/225

[58] Field of Search D14/12, 13, 30, 36, D14/99; 381/25, 68, 69.1, 69.2, 158, 183, 187, 169; 379/430, 444

[56] References Cited

U.S. PATENT DOCUMENTS

| | | | |
|-----------|---------|--------------|---------|
| 3,128,352 | 4/1964 | Cagen | 379/430 |
| 4,620,068 | 10/1986 | Wieder | 379/430 |

OTHER PUBLICATIONS

Motorola Brochure—Personal Communications, ©1974, p. 4—center right.

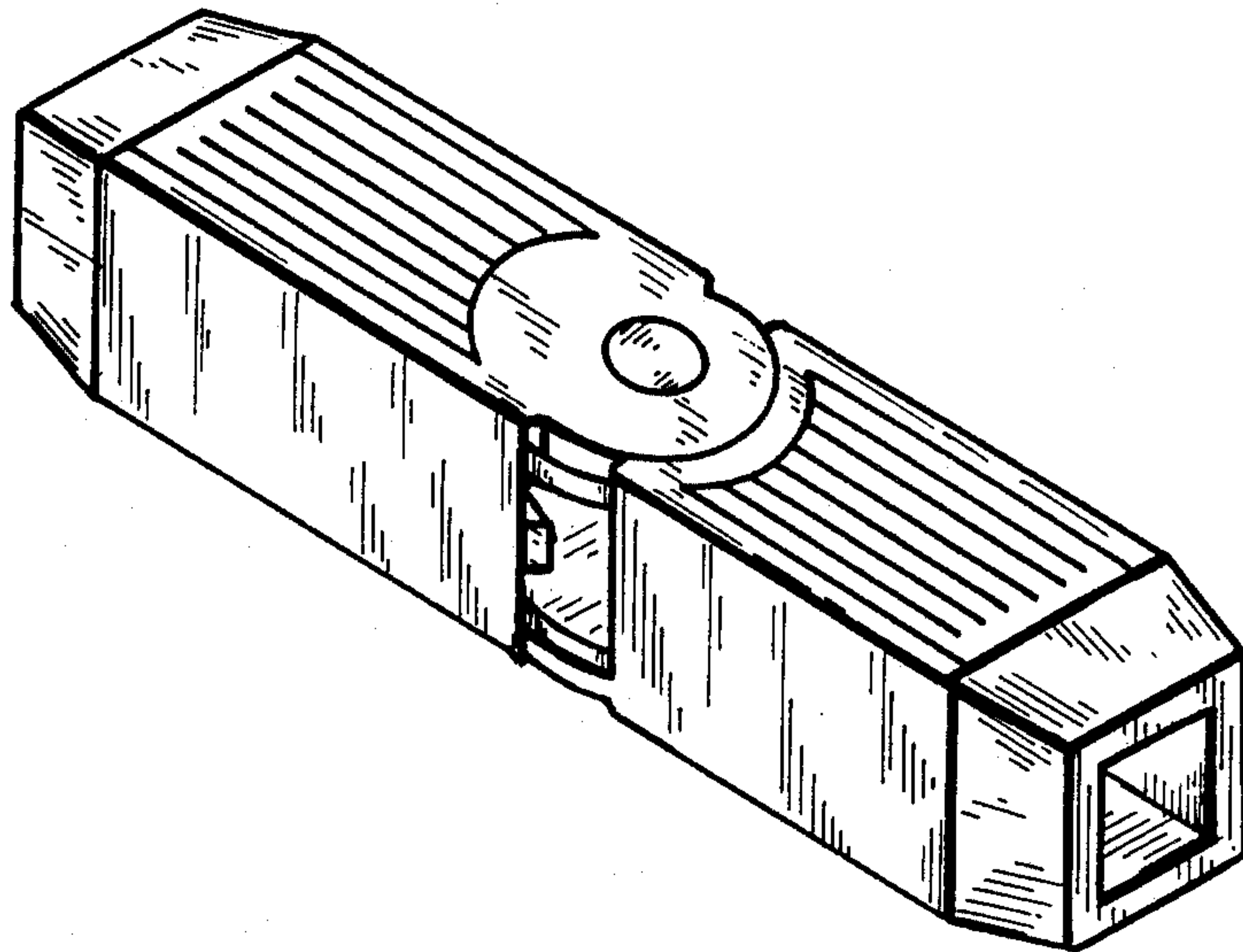
Primary Examiner—Bernard Ansher
Assistant Examiner—Theodore M. Shooman
Attorney, Agent, or Firm—Warren A. Sturm

[57] CLAIM

The ornamental design for microphone boom hinge, as shown and described.

DESCRIPTION

FIG. 1 is a top, front and left side perspective view of a microphone boom hinge showing my new design; FIG. 2 is a top plan view thereof; FIG. 3 is a bottom plan view thereof; FIG. 4 is a right side elevational view thereof; FIG. 5 is a left side elevational view thereof; and, FIG. 6 is a front elevational view thereof, the rear being a mirror image.



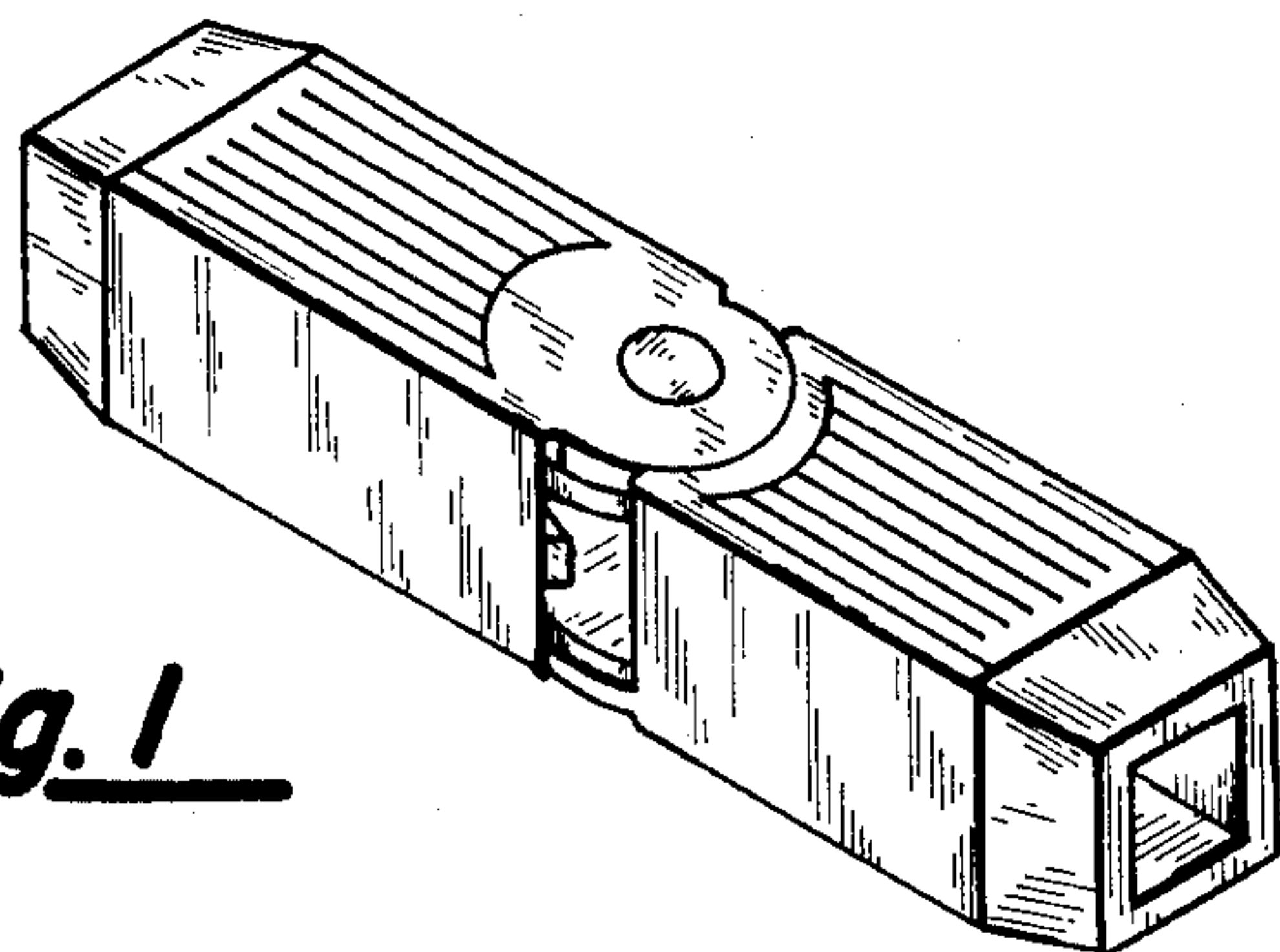


Fig. 1

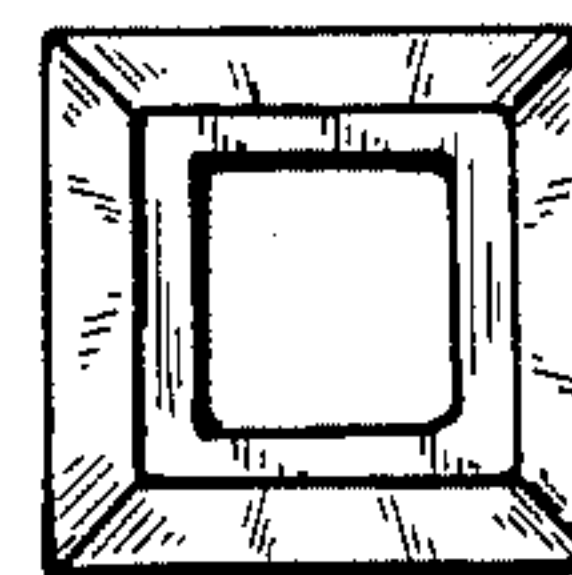


Fig. 6

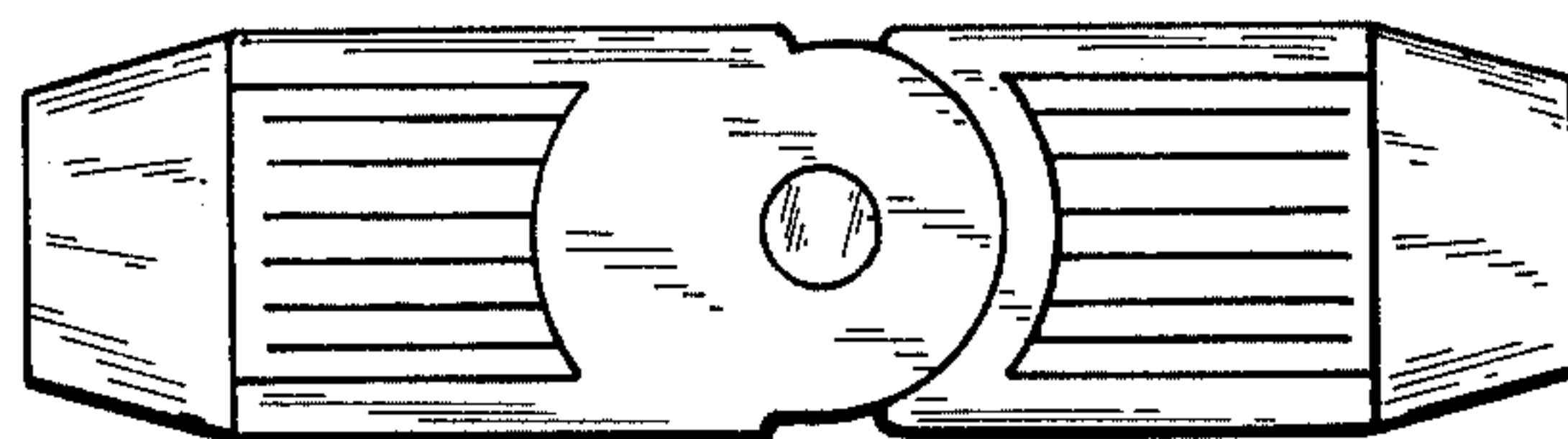


Fig. 2

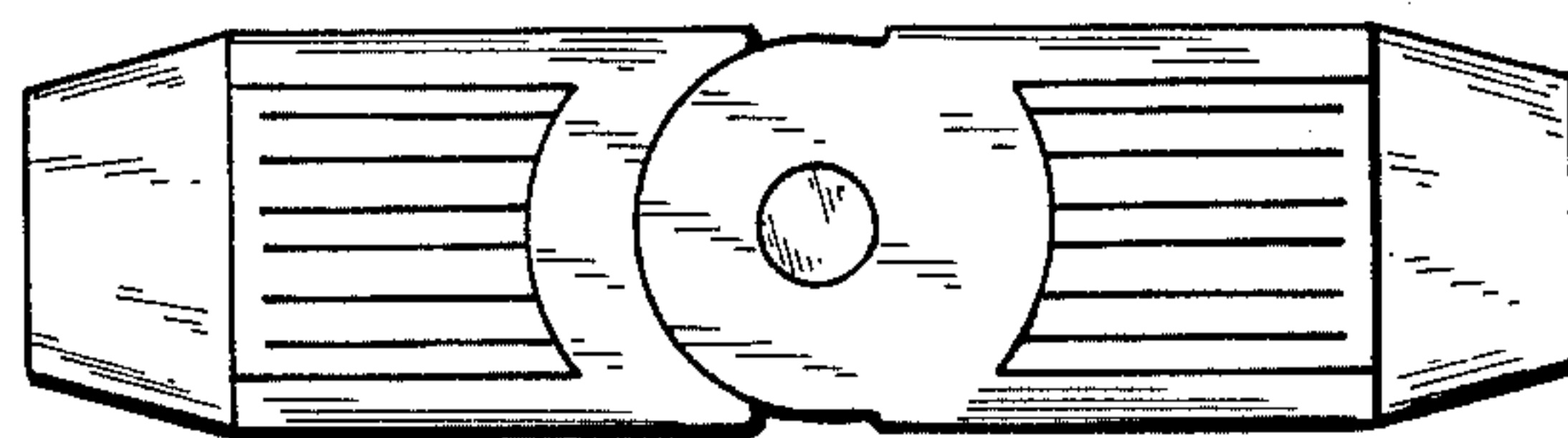


Fig. 3

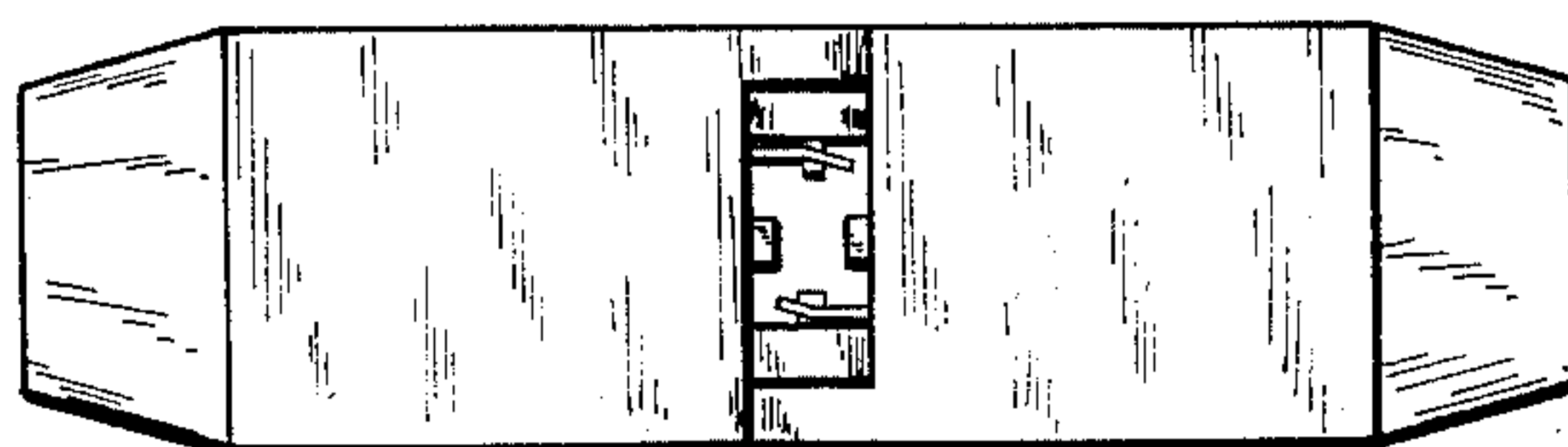


Fig. 4

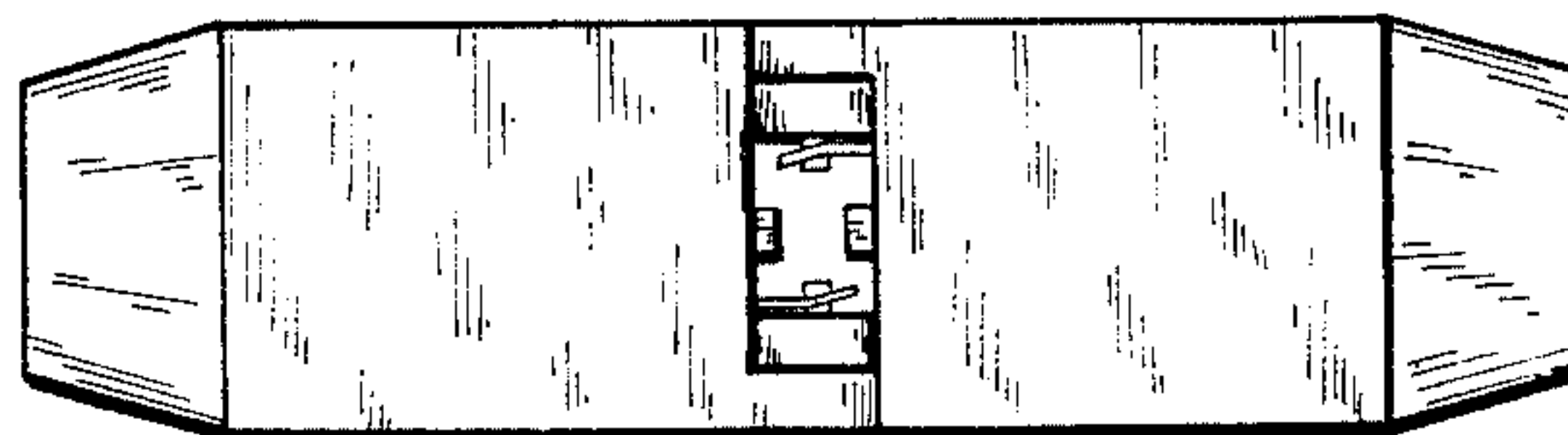


Fig. 5