

[54] HEADSET

[75] Inventor: Christopher D. Wiegel, Minneapolis, Minn.

[73] Assignee: Telex Communications, Inc., Minneapolis, Minn.

[\*\*] Term: 14 Years

[21] Appl. No.: 934,123

[22] Filed: Nov. 24, 1986

[52] U.S. Cl. .... D14/206

[58] Field of Search ..... D14/12, 13, 30, 36, D14/99; 381/25, 68, 69.1, 69.2, 158, 183, 187, 169; 379/430, 444

[56] References Cited

U.S. PATENT DOCUMENTS

Re. 30,662	6/1981	Foley	.....	379/430
D. 254,616	4/1980	Tabata	.....	D14/36
3,128,352	4/1964	Cagen	.....	379/430
3,786,519	1/1974	Aileo	.....	381/187 X
4,620,068	10/1986	Wieder	.....	379/430

OTHER PUBLICATIONS

Motorola Brochure—Personal Communications ©1974, p. 4—center right.

Primary Examiner—Bernard Ansher  
Assistant Examiner—Theodore M. Shooman  
Attorney, Agent, or Firm—Warren A. Sturm

[57] CLAIM

The ornamental design for headset, as shown and described.

DESCRIPTION

FIG. 1 is a top, front and right side perspective view of a headset showing my new design;  
FIG. 2 is a front elevational view thereof;  
FIG. 3 is a top plan view thereof;  
FIG. 4 is a bottom plan view thereof;  
FIG. 5 is a rear elevational view thereof;  
FIG. 6 is a right side elevational view thereof;  
FIG. 7 is a left side elevational view thereof; and,  
FIG. 8 is a sectional view thereof, taken along line 8—8 of FIG. 2.



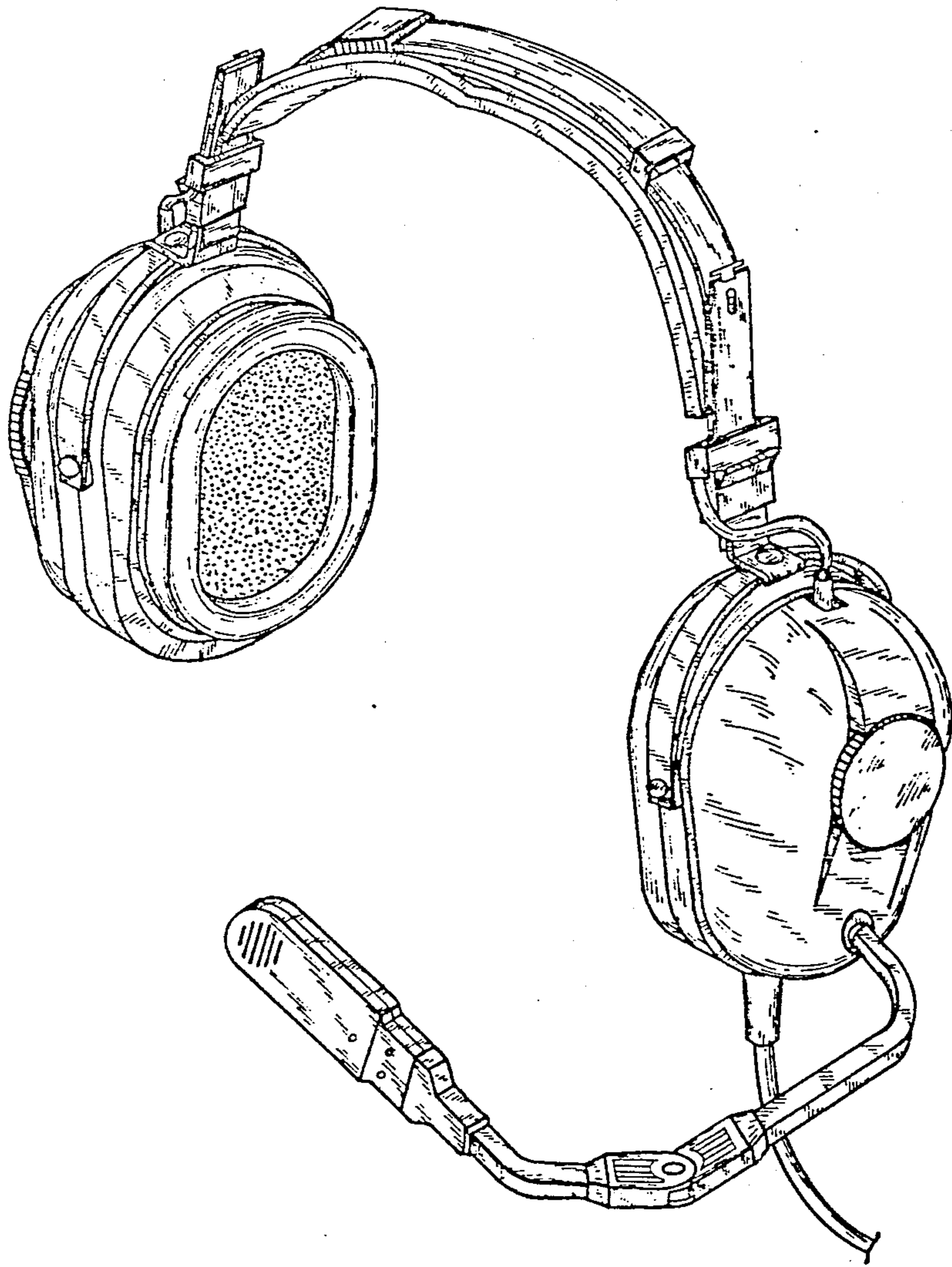


Fig. 1

Fig. 2

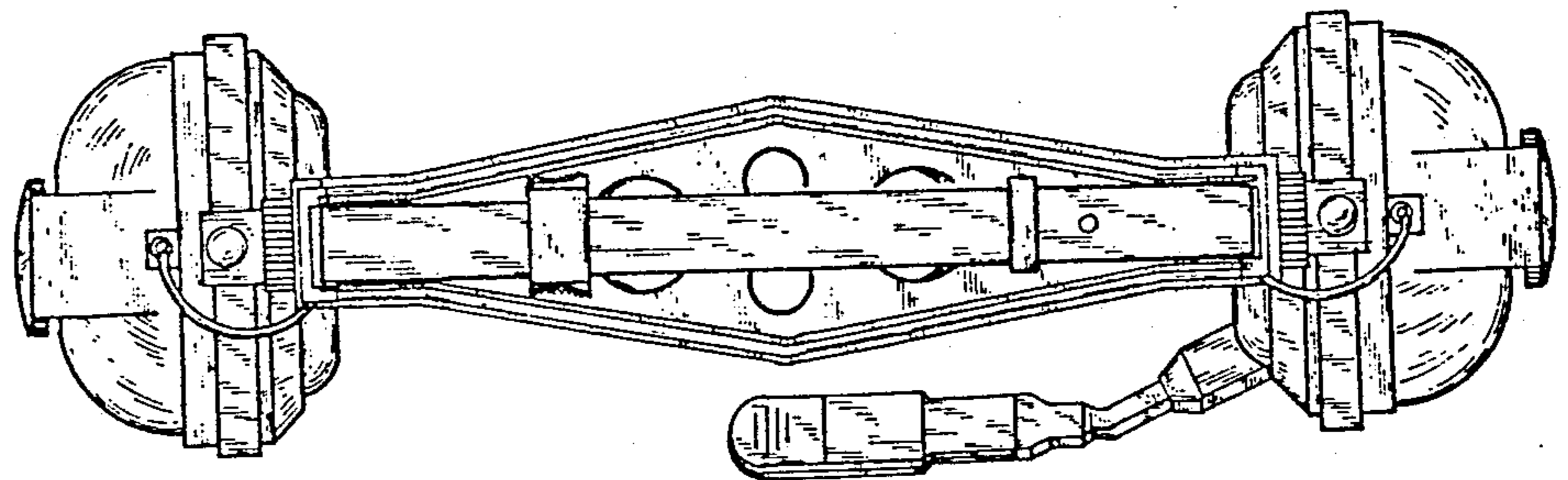
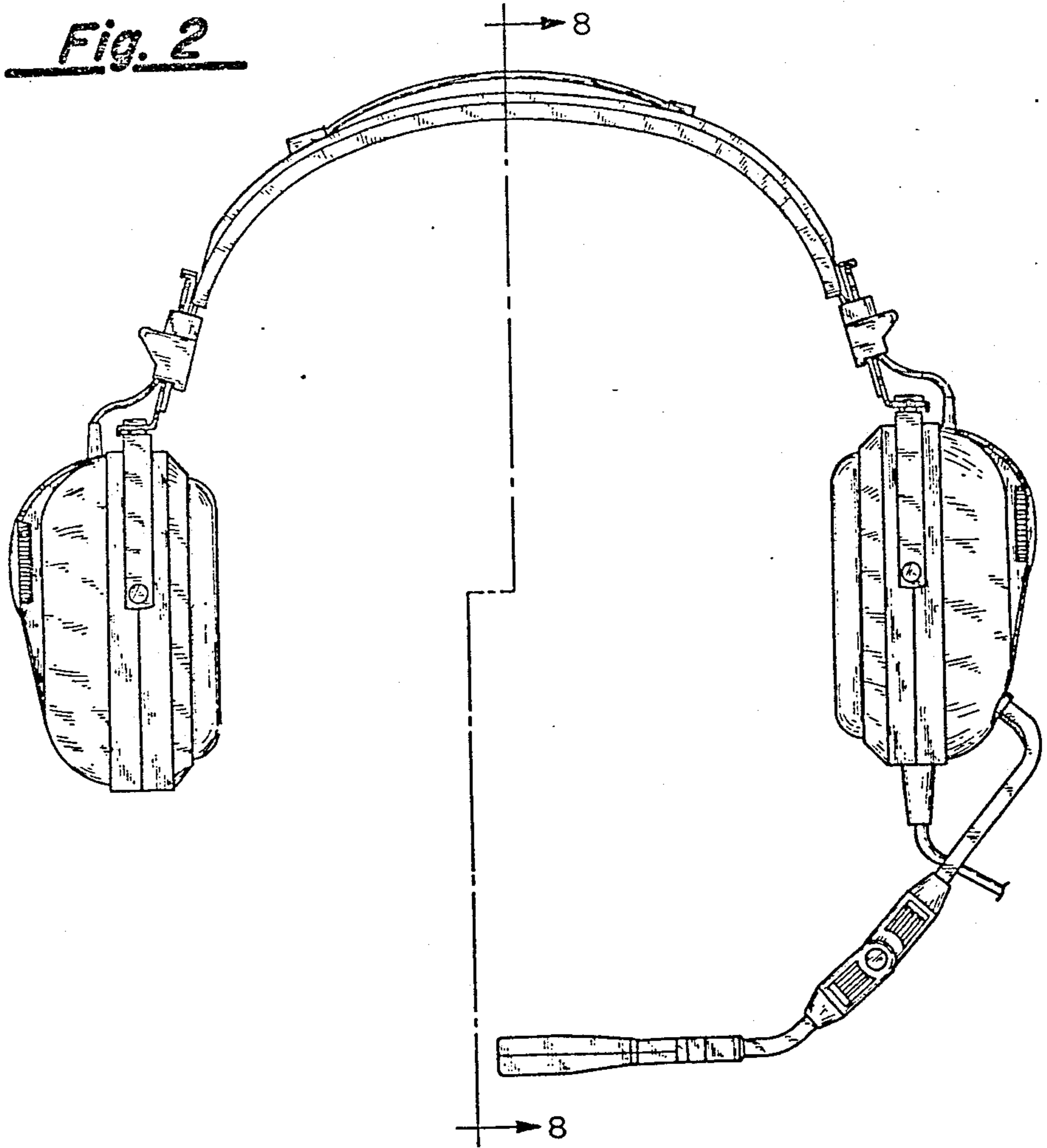


Fig. 3



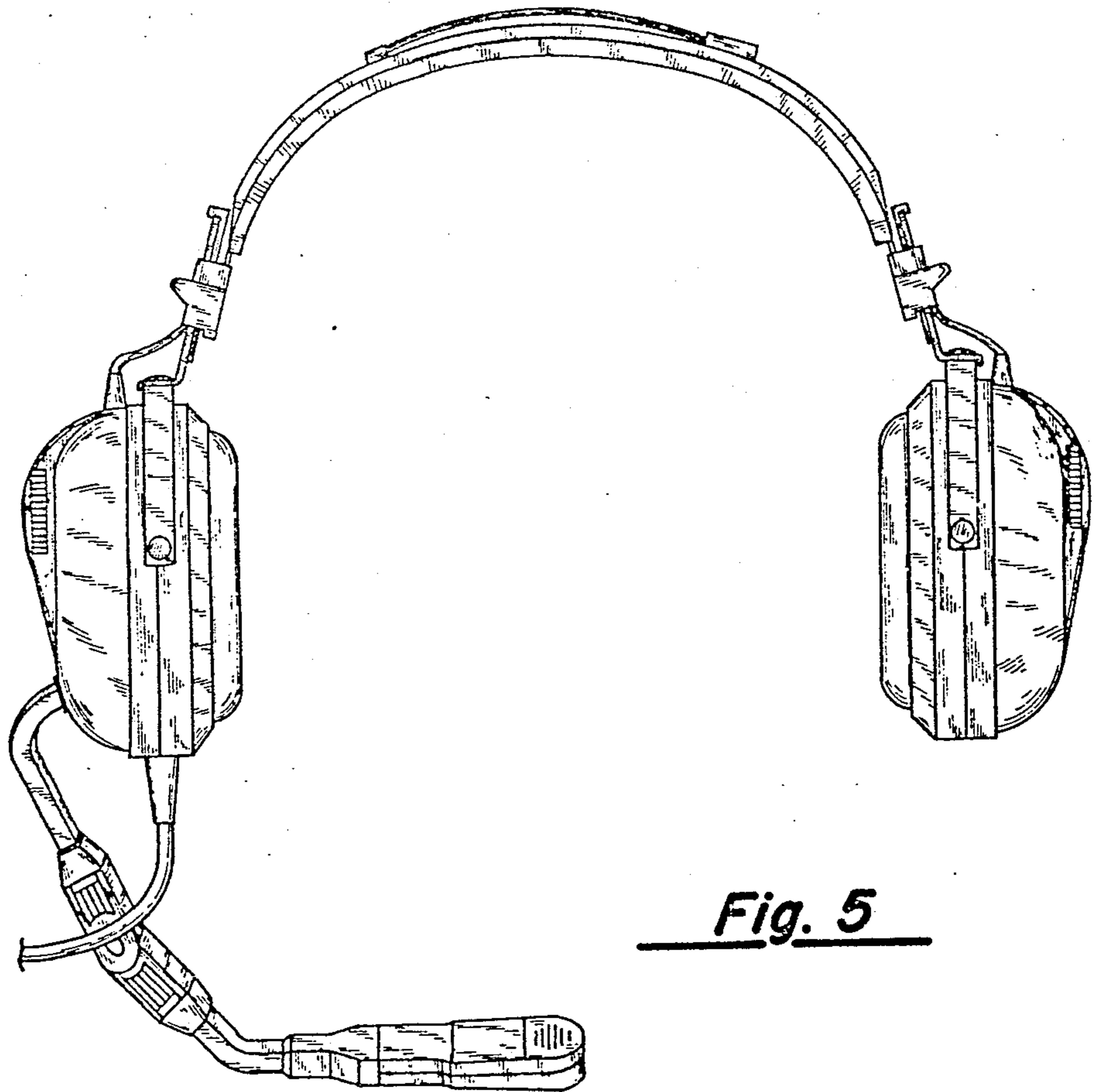


Fig. 5

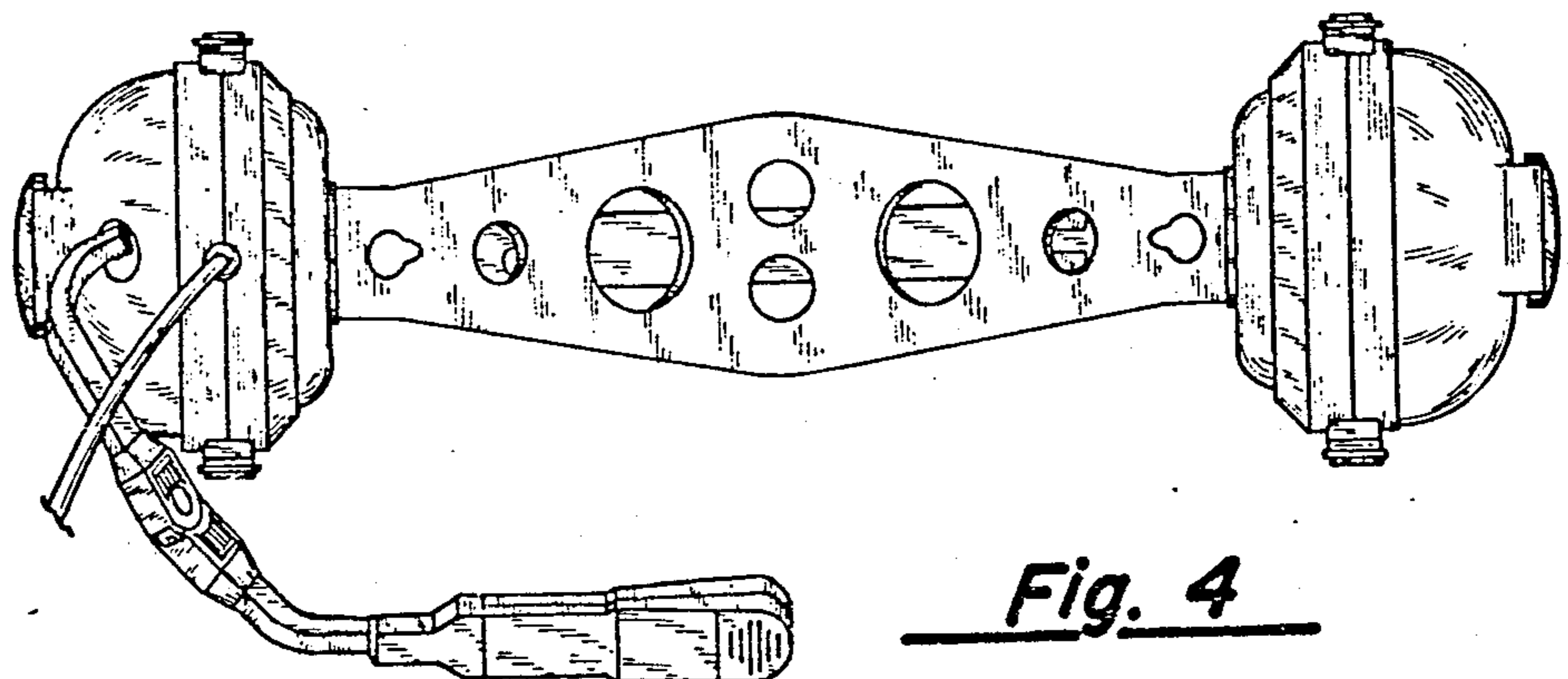


Fig. 4

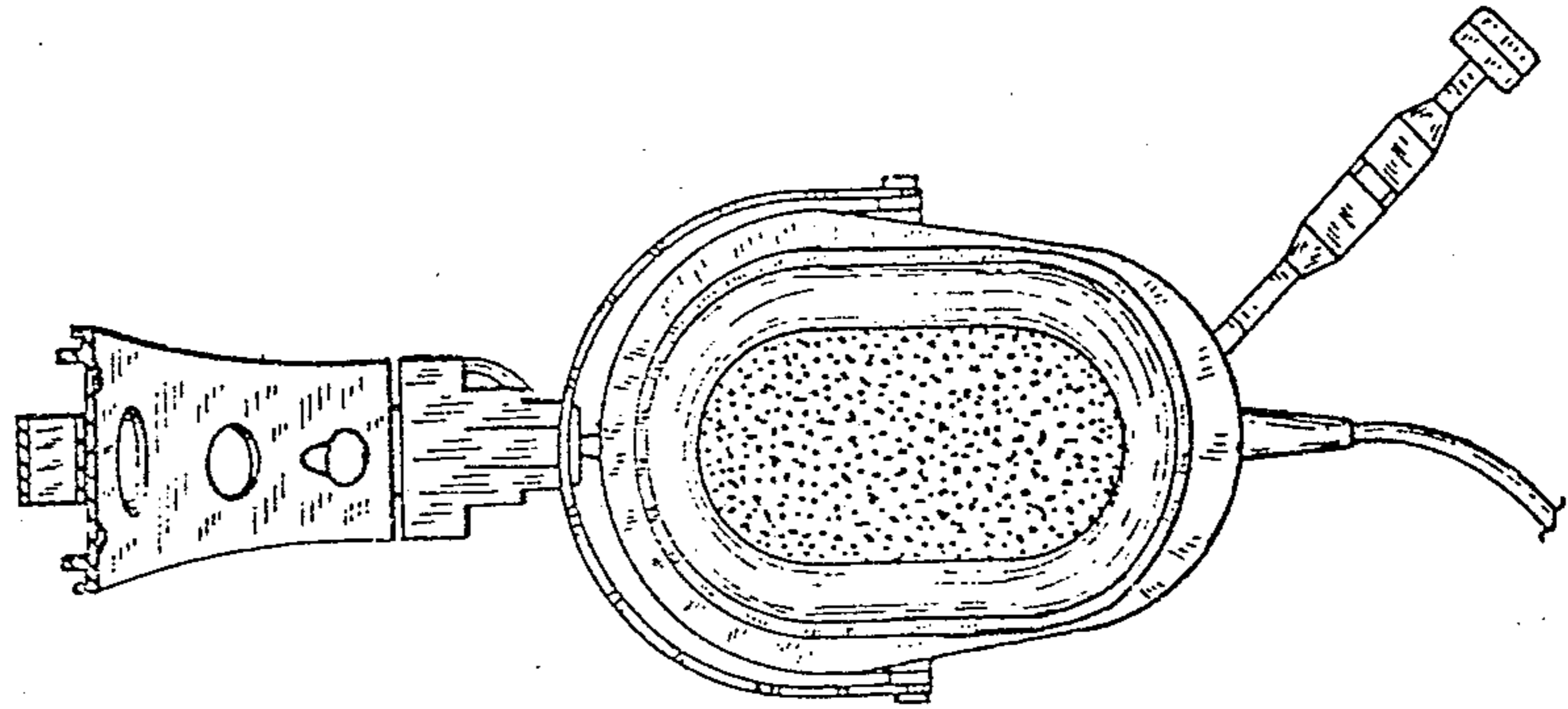


Fig. 8

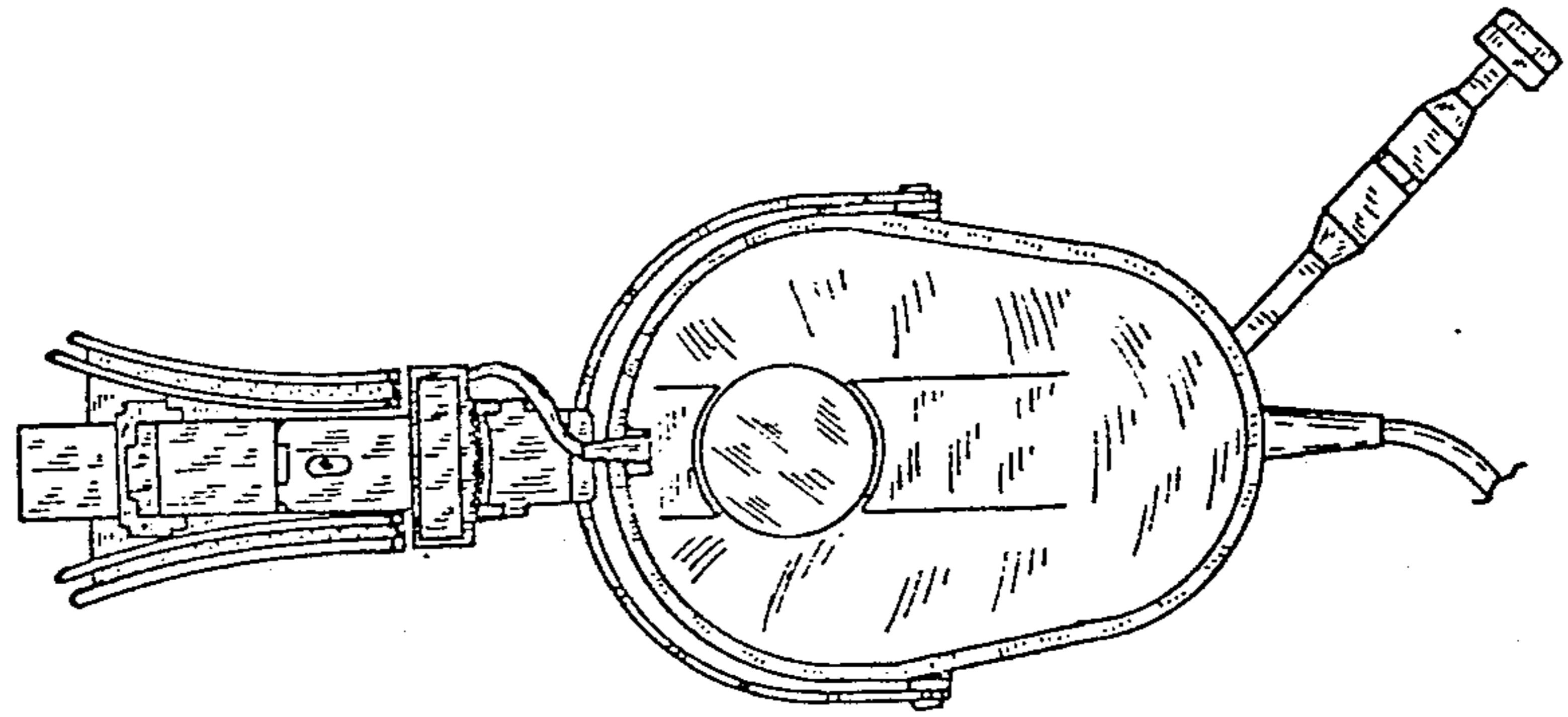


Fig. 7

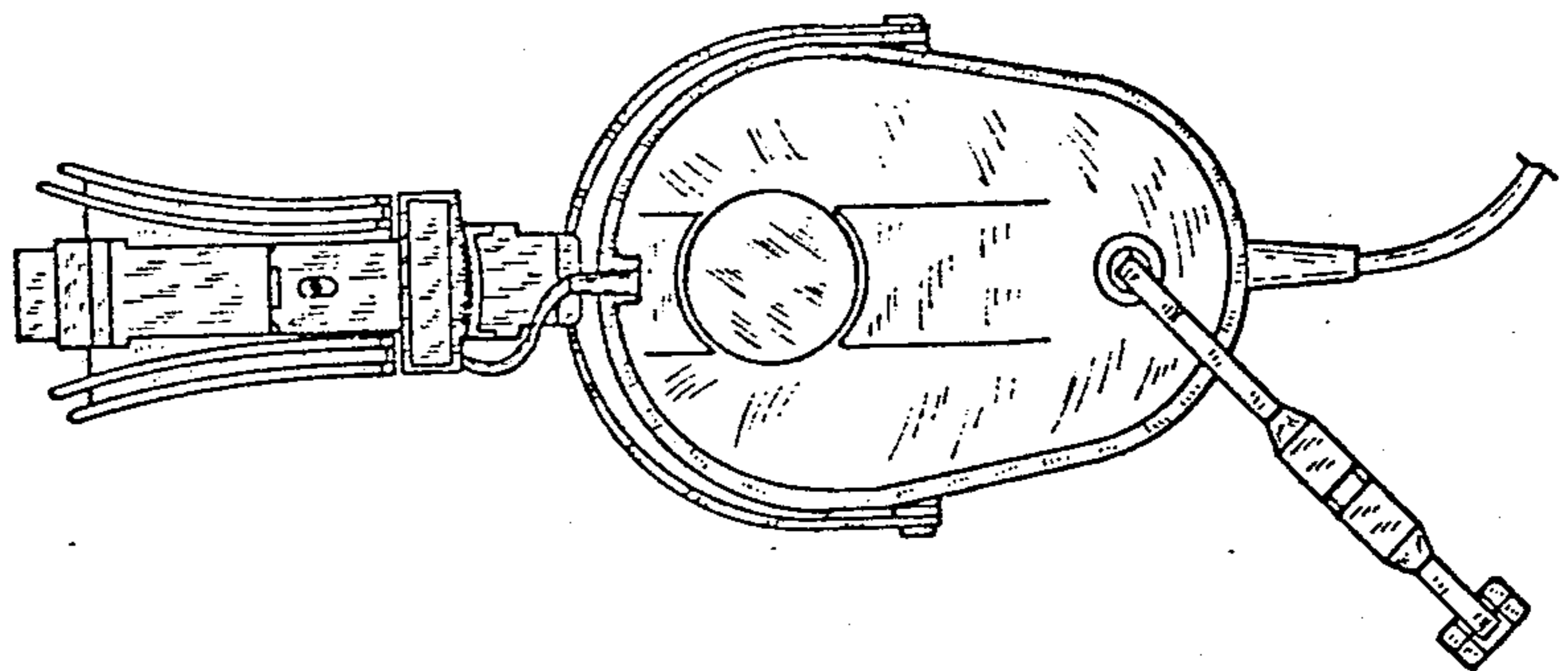


Fig. 6