

United States Patent [19]

Wiegel

[11] Patent Number: **Des. 299,335**

[45] Date of Patent: **** Jan. 10, 1989**

- [54] **MICROPHONE**
- [75] Inventor: **Christopher D. Wiegel, Minneapolis, Minn.**
- [73] Assignee: **Telex Communications, Inc., Minneapolis, Minn.**
- [**] Term: **14 Years**
- [21] Appl. No.: **934,127**
- [22] Filed: **Nov. 24, 1986**
- [52] U.S. Cl. **D14/225; D14/205**
- [58] Field of Search **D14/12, 13, 30, 36, D14/99; 381/25, 68, 69.1, 69.2, 158, 183, 187, 169; 379/430, 444**

[56] **References Cited**

U.S. PATENT DOCUMENTS

Re. 30,662 6/1981 Foley 379/430

D. 266,242	9/1982	Radzelovage	D14/12
D. 295,403	4/1988	Oleson	D14/12
3,128,352	4/1964	Cagen	379/430
3,786,519	1/1974	Aileo	381/187 X
4,620,068	10/1986	Wieder	379/430

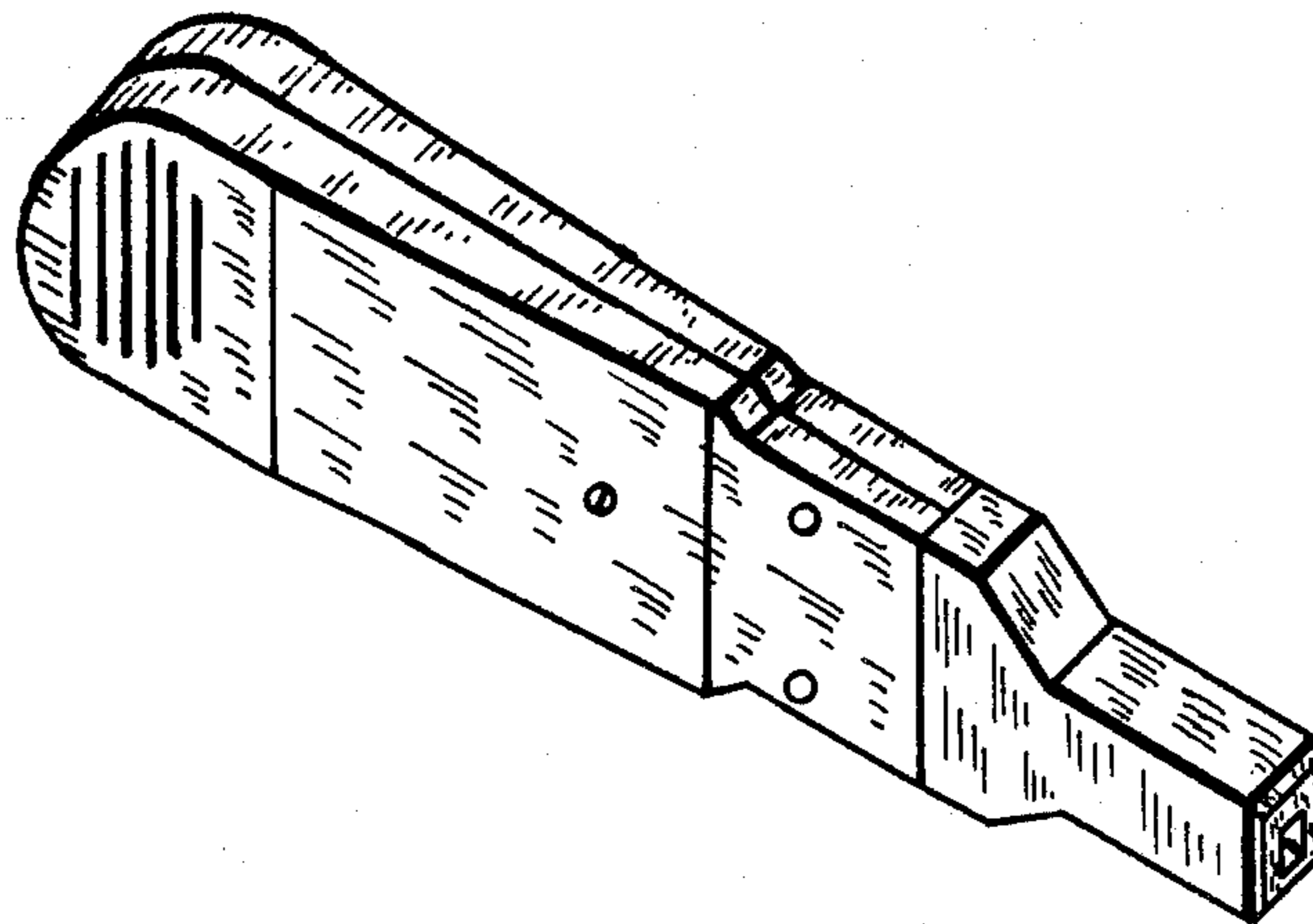
Primary Examiner—Bernard Ansher
Assistant Examiner—Theodore M. Shooman
Attorney, Agent, or Firm—Warren A. Sturm

[57] **CLAIM**

The ornamental design for a microphone, as shown.

DESCRIPTION

FIG. 1 is a top, rear and right side perspective view of a microphone showing my new design;
FIG. 2 is a top plan view thereof;
FIG. 3 is a bottom plan view thereof;
FIG. 4 is a front elevational view thereof;
FIG. 5 is a left side elevational view thereof; and,
FIG. 6 is a right side elevational view thereof.



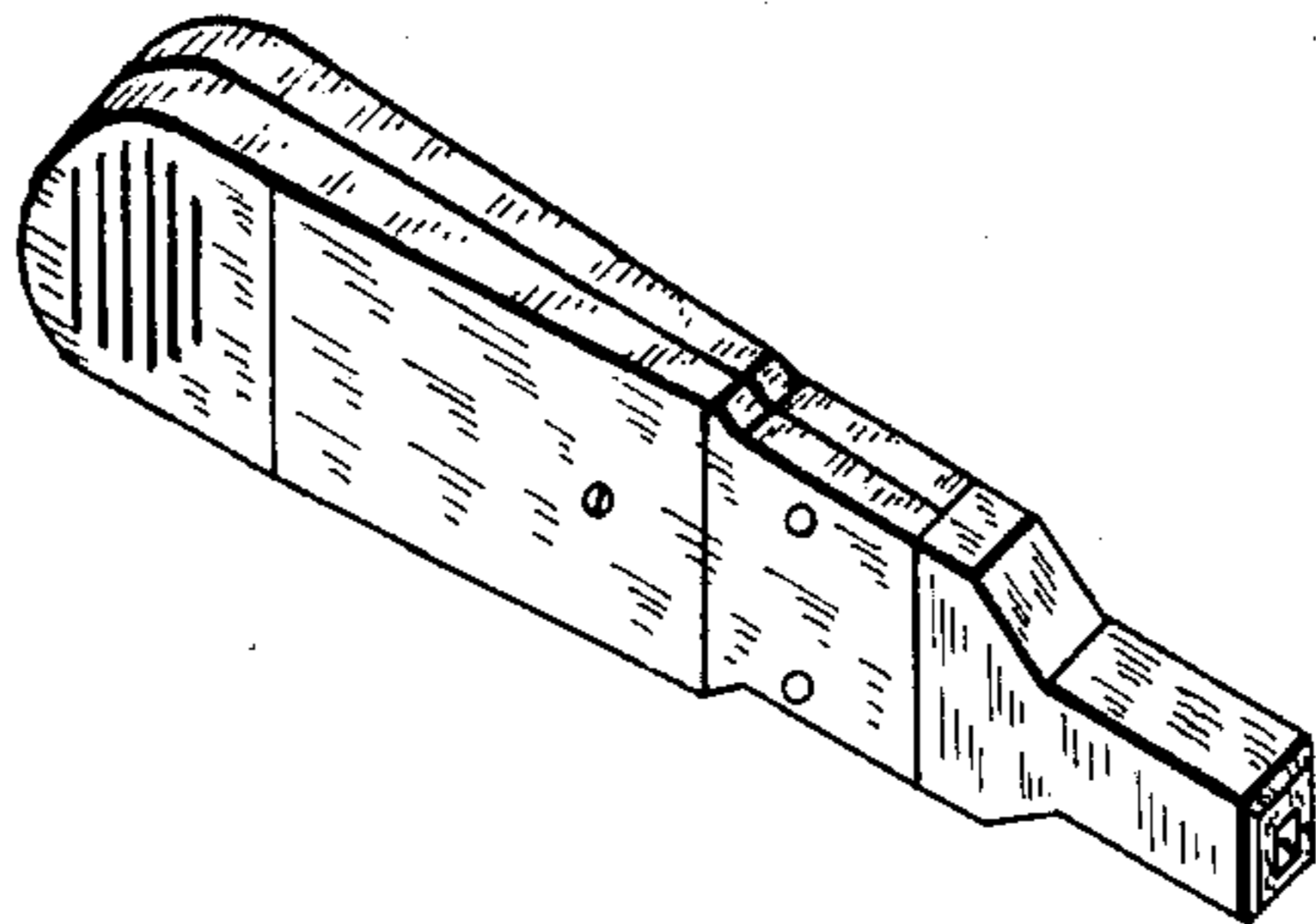


Fig. 1

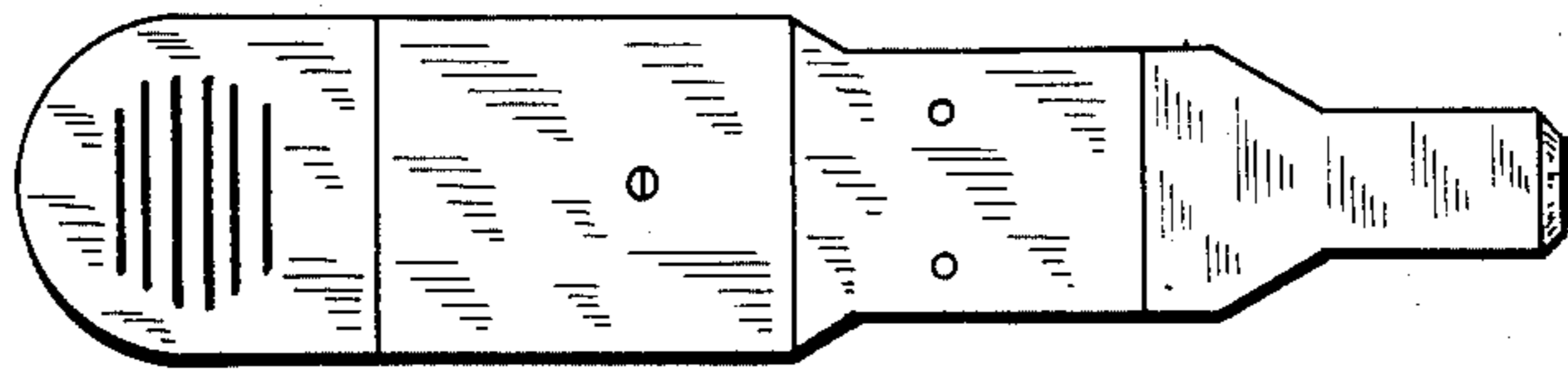


Fig. 2

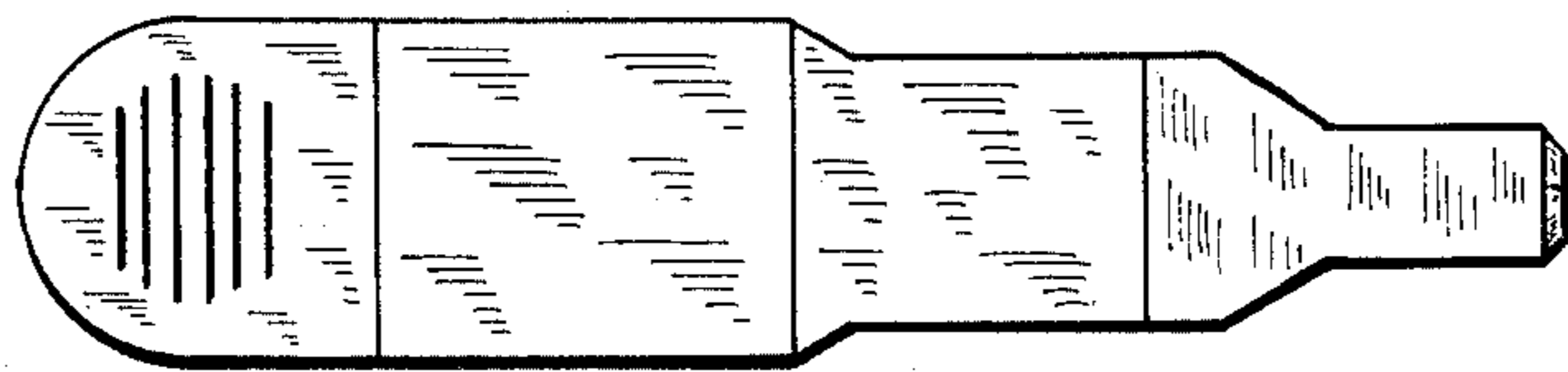


Fig. 3

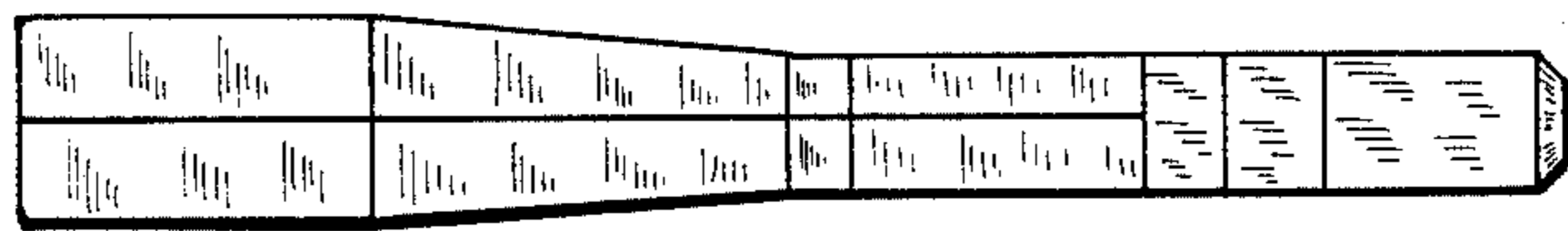


Fig. 4

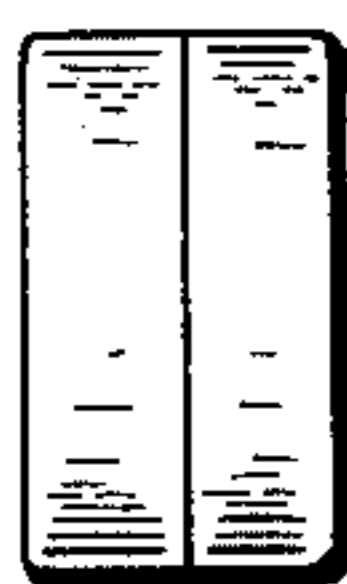


Fig. 5

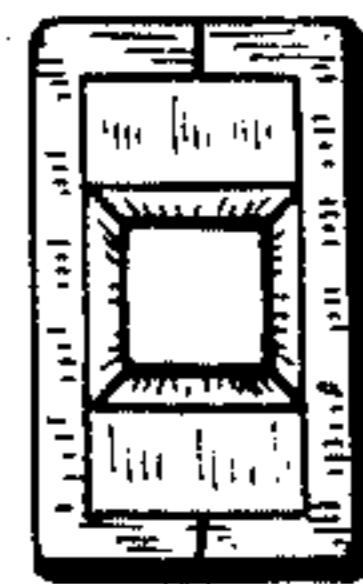


Fig. 6