

[54] **DERAILLEUR ACTUATING HANDLE UNIT**

[75] **Inventor: Maurice E. L. Coue, Feucherolles, France**

[73] **Assignee: Huret et ses Fils, S.A. of Chepy, Feuquieres en Vimeu, France.**

[\*\*] **Term: 14 Years**

[21] **Appl. No.: 749,874**

[22] **Filed: Jun. 27, 1985**

[30] **Foreign Application Priority Data**

Dec. 27, 1984 [FR] France ..... 84 5832  
[52] **U.S. Cl. .... D12/179; D8/303**  
[58] **Field of Search ..... D12/179, 110; D8/303; 74/489, 488**

[56] **References Cited**

**U.S. PATENT DOCUMENTS**

4,191,065 3/1980 Golobay et al. .... 74/489  
4,461,189 7/1984 Rottenkolber et al. .... 74/489

**OTHER PUBLICATIONS**

Honda MT-250/MT-125 Motorcycle Brochure, Moto-cross-Style Handgrips, MT-125.

*Primary Examiner*—James M. Gandy  
*Attorney, Agent, or Firm*—Kuhn and Muller

[57] **CLAIM**

The ornamental design for a derailleur actuating handle unit, as shown and described.

**DESCRIPTION**

FIG. 1 is a perspective view of a derailleur actuating handle unit showing my new design;  
FIG. 2 is a perspective view thereof showing an actuating lever and a portion of a handlebar, which form no part of the claimed design, in broken lines for illustrative purposes only;  
FIG. 3 is an enlarged bottom plan view thereof;  
FIG. 4 is an enlarged side elevation view thereof;  
FIG. 5 is an enlarged end elevation view thereof;  
FIG. 6 is an enlarged side elevation view thereof opposite to that shown in FIG. 4;  
FIG. 7 is an enlarged end elevation view thereof opposite to that shown in FIG. 5; and  
FIG. 8 is an enlarged top plan view thereof.

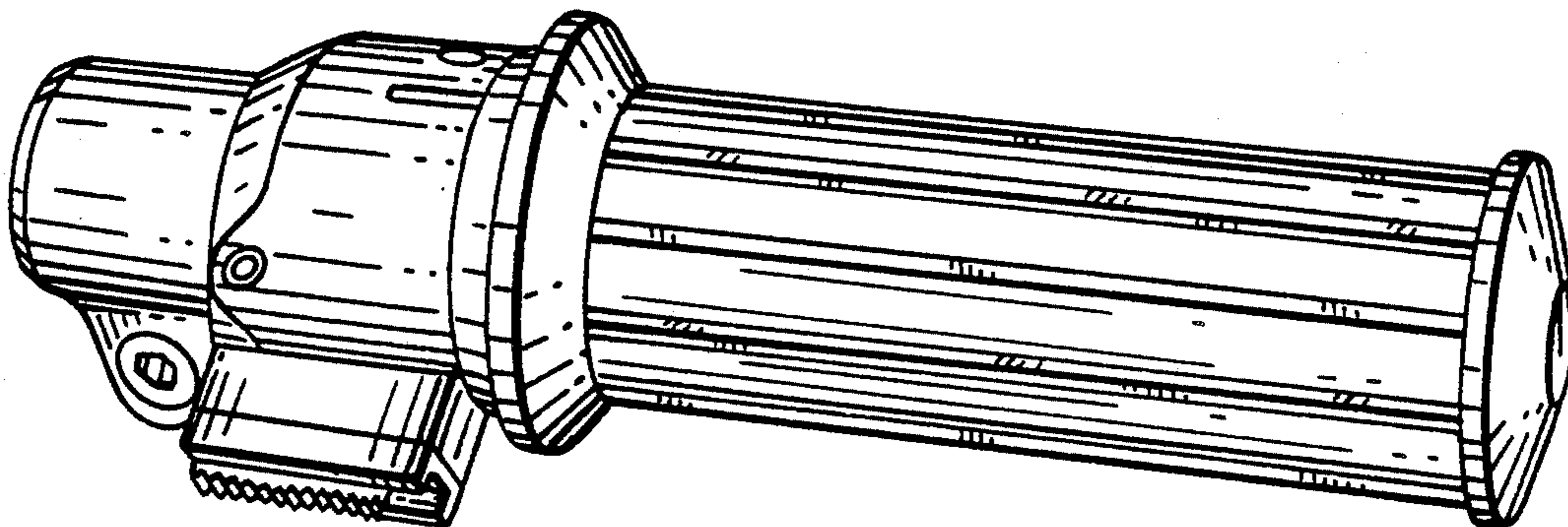


FIG. 1

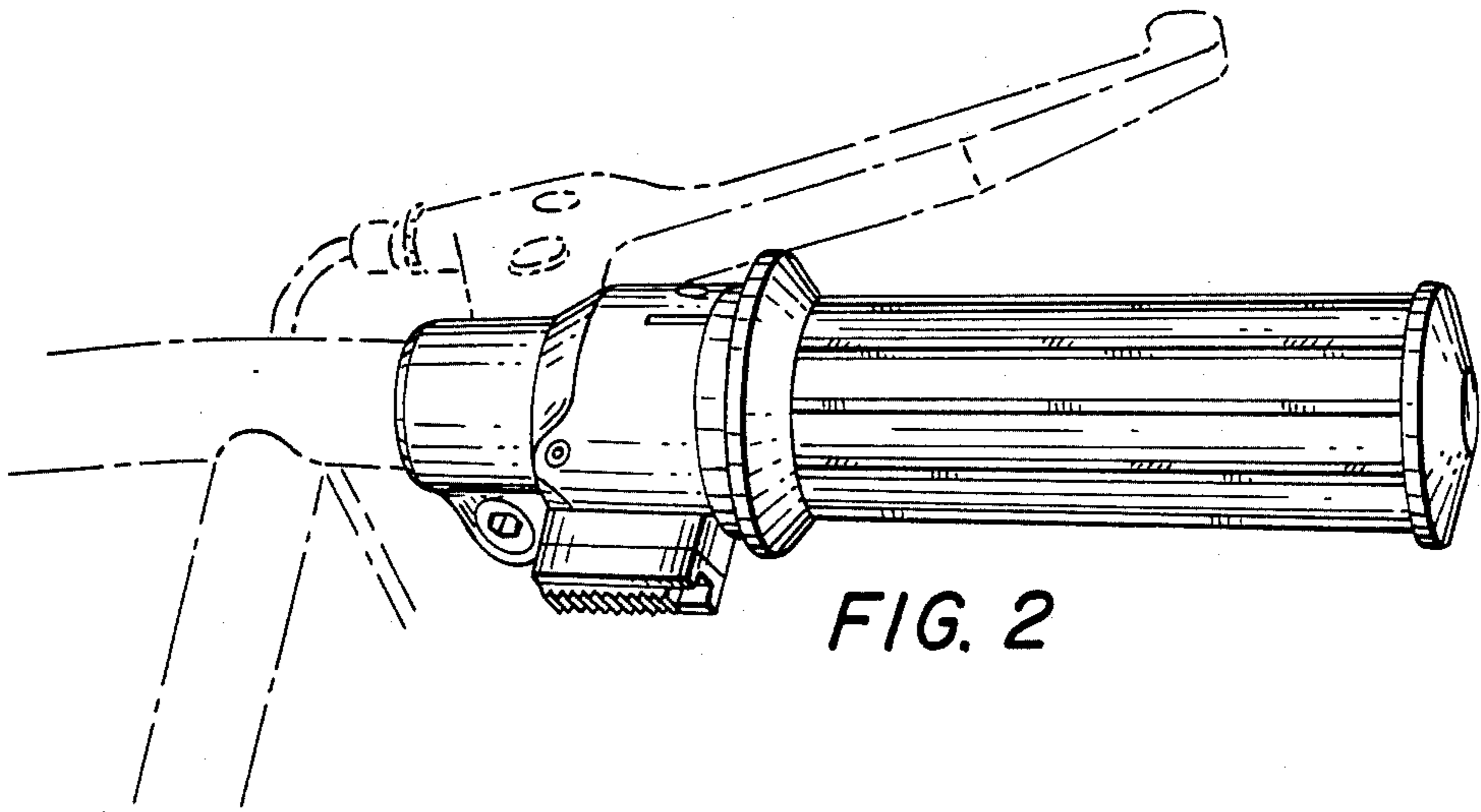
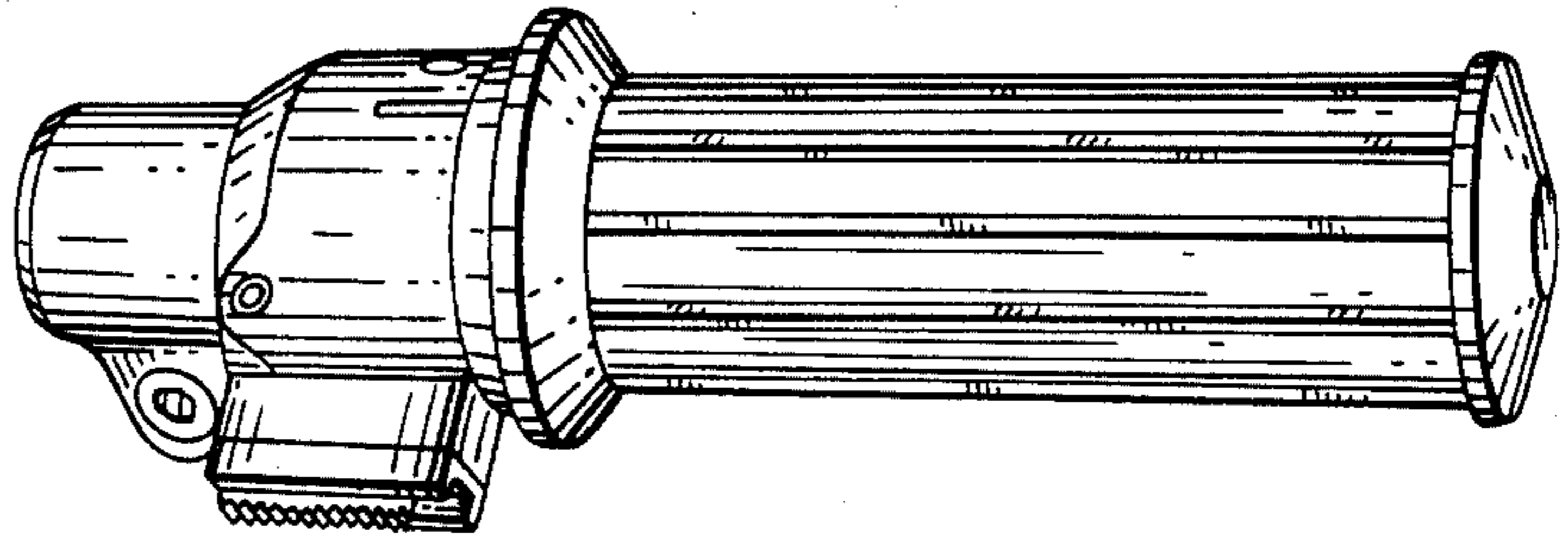


FIG. 2

FIG. 3

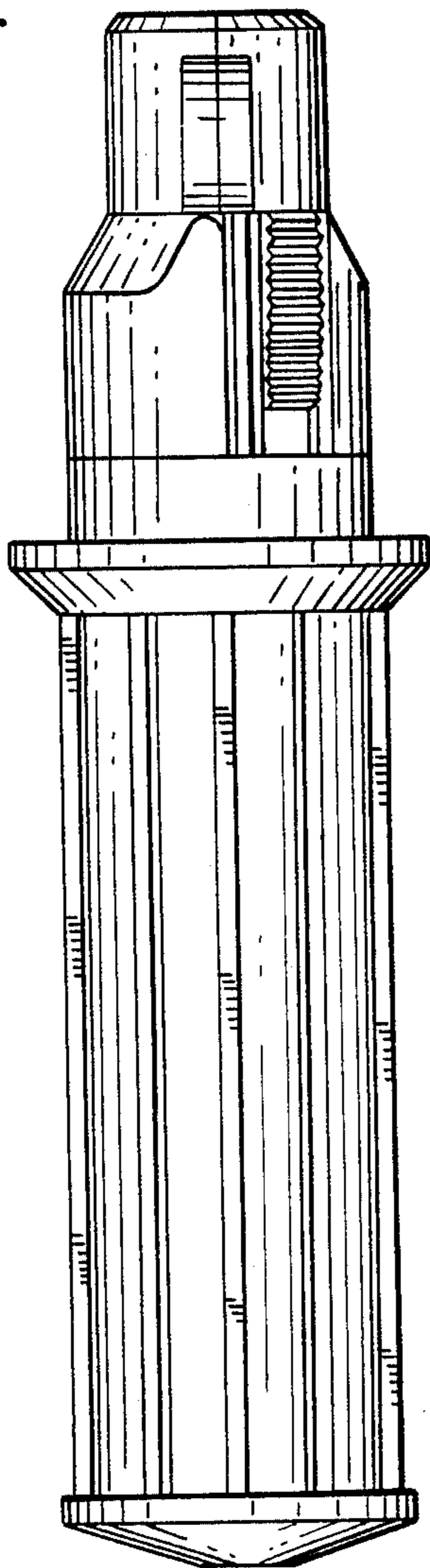


FIG. 5

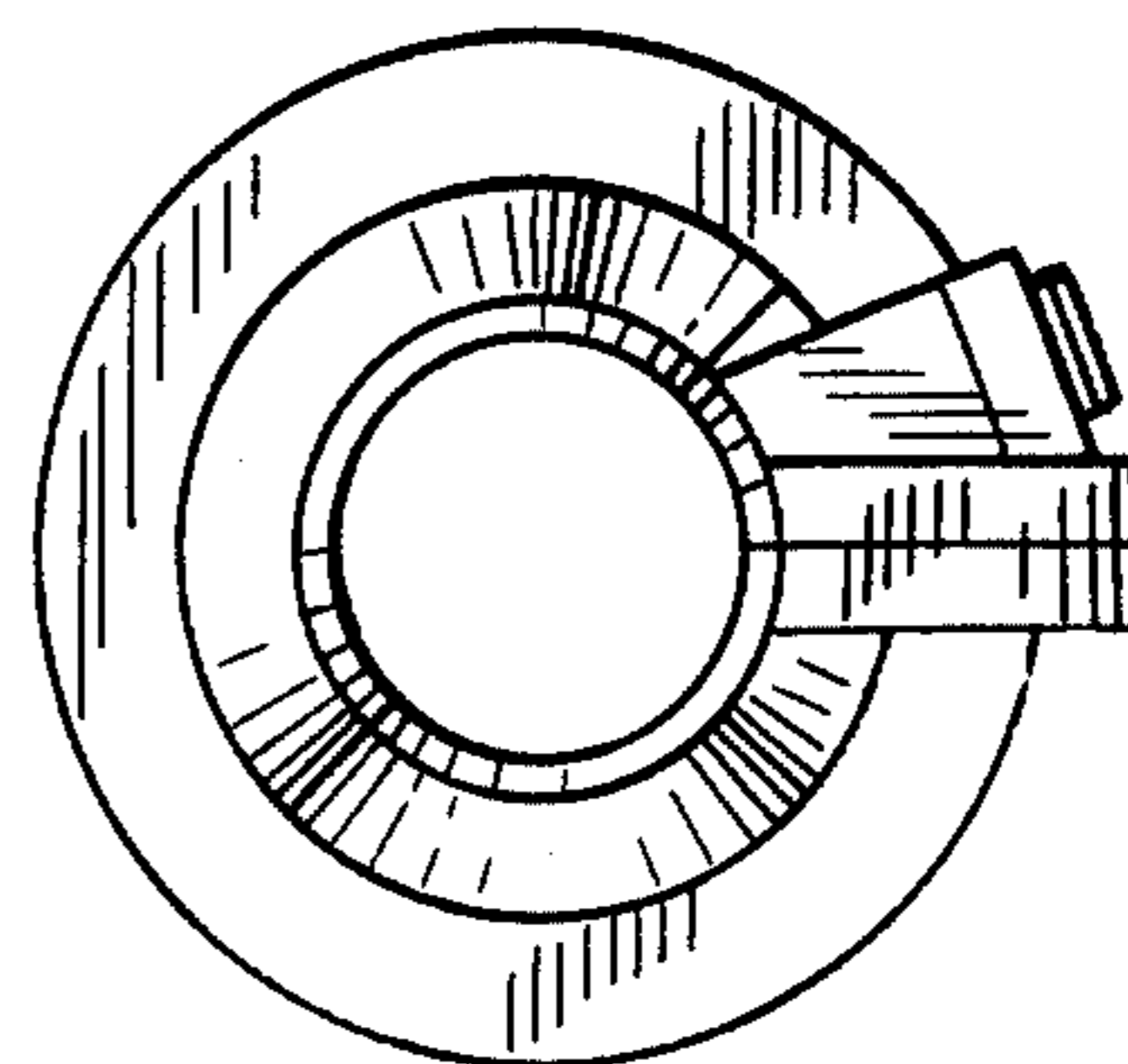
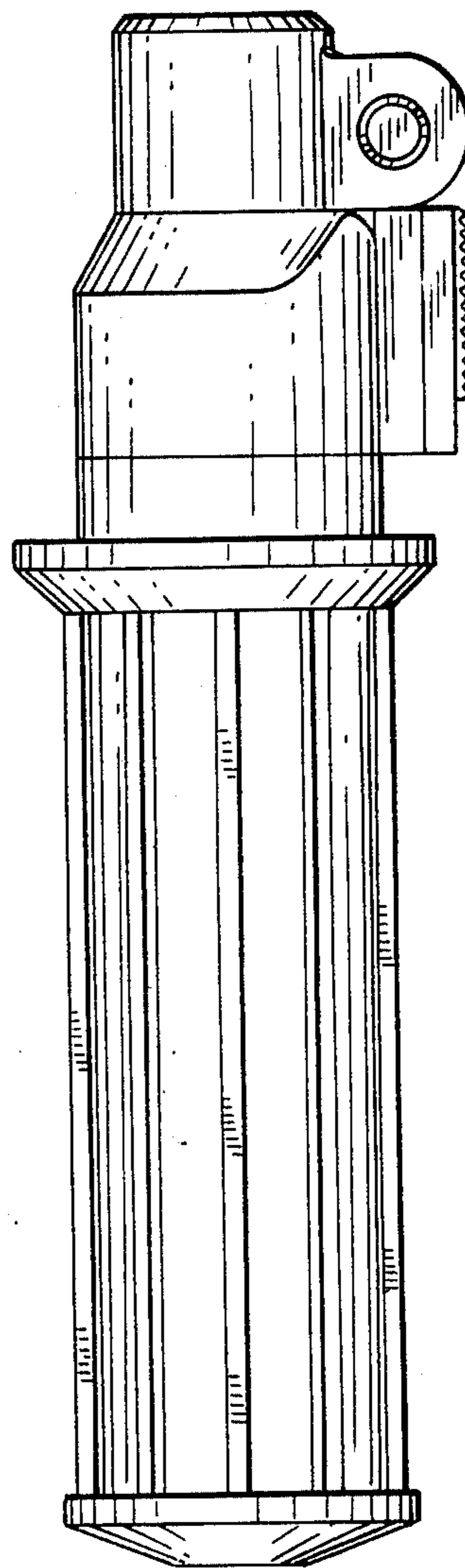


FIG. 4



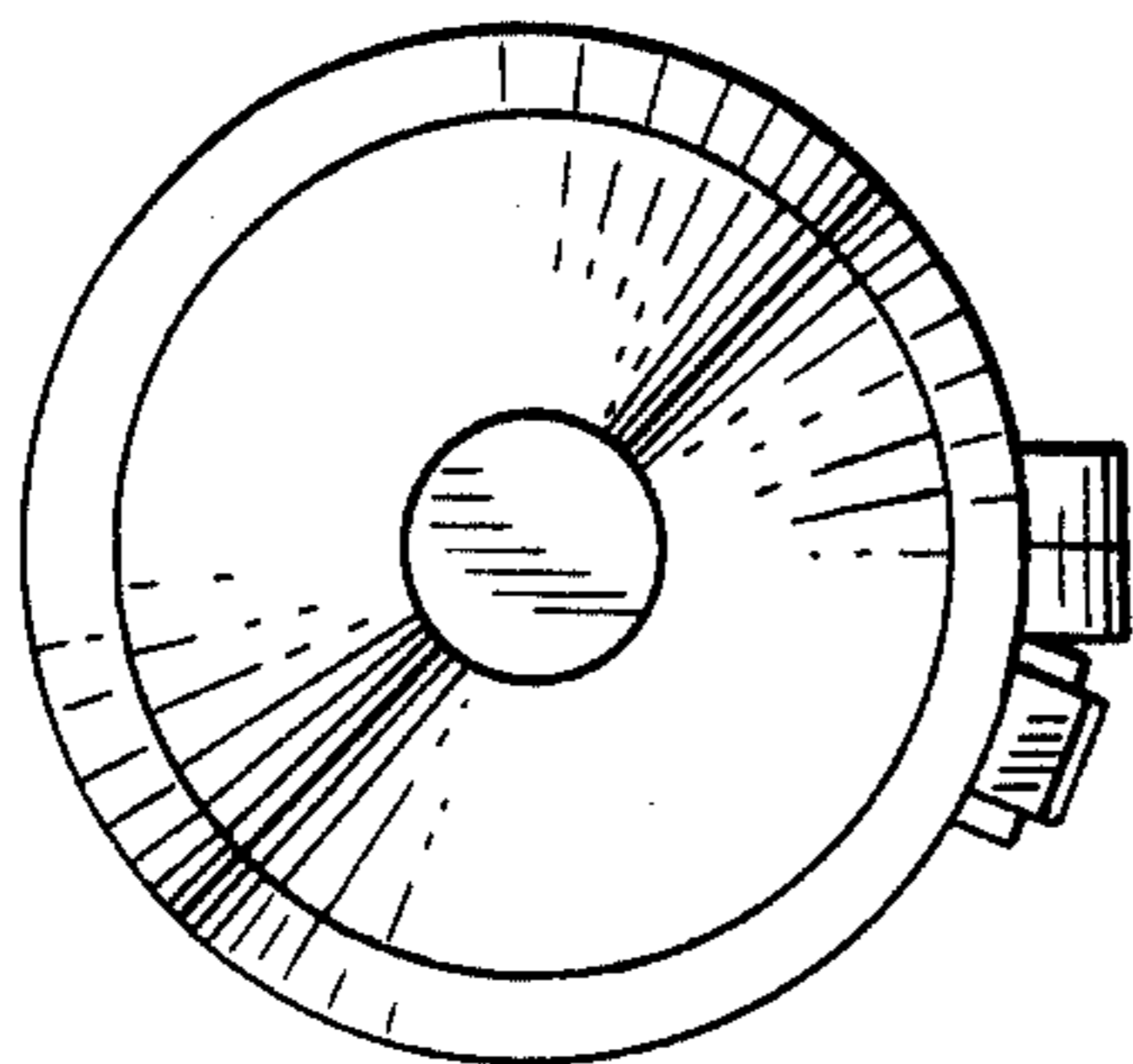


FIG. 7

FIG. 6

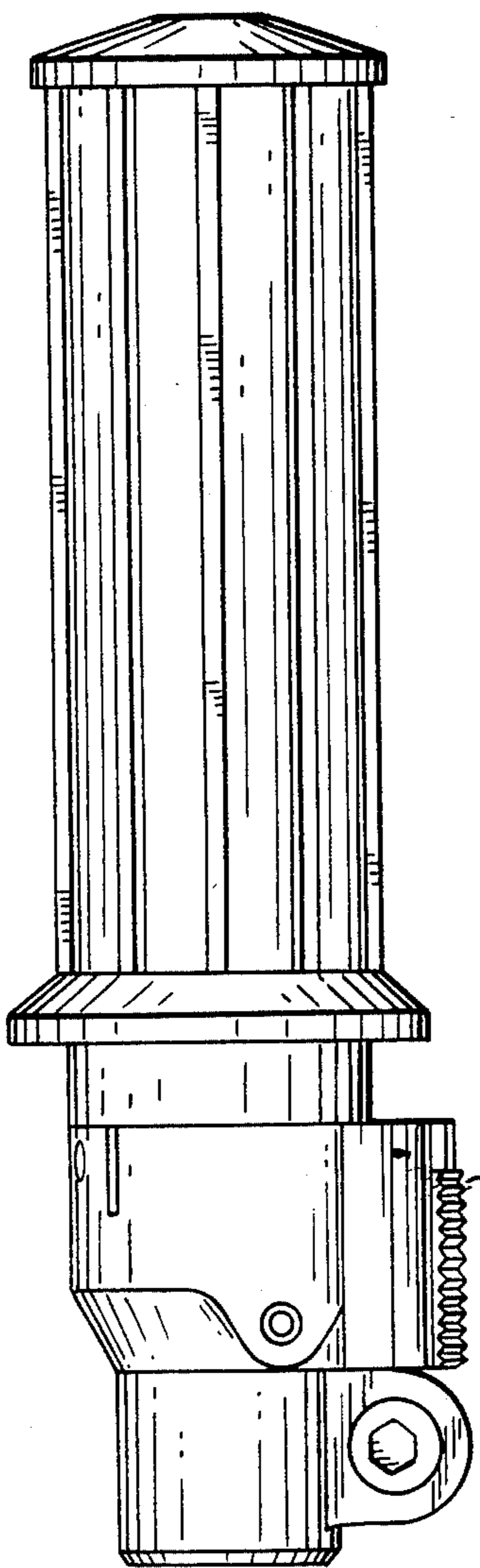


FIG. 8

