

[54] **WHEELCHAIR**

[76] **Inventor: Lawrence A. Bernstein, 6456 Surfside Way, Mailbu, Calif. 90265**

[\*\*] **Term: 14 Years**

[21] **Appl. No.: 925,136**

[22] **Filed: Oct. 30, 1986**

[52] **U.S. Cl. .... D12/131**

[58] **Field of Search ..... D12/131, 128;  
180/DIG. 3; 297/DIG. 4; 280/242 WC,  
647-650, 289 WC, 244, 245**

[56] **References Cited**

**U.S. PATENT DOCUMENTS**

- D. 254,192 2/1980 Honzyou ..... D12/131
- D. 266,499 10/1982 Twitchell et al. .... D12/131
- 4,614,246 9/1986 Masse et al. .... D12/131
- 4,730,842 3/1988 Summers et al. .... 297/DIG. 4

**OTHER PUBLICATIONS**

Burke Inc. Brochure, Scout.

*Primary Examiner*—Wallace R. Burke

*Assistant Examiner*—Kay H. Chin

*Attorney, Agent, or Firm*—Poms, Smith, Lande & Rose

[57] **CLAIM**

The ornamental design for a wheelchair, as shown and described.

**DESCRIPTION**

FIG. 1 is a front perspective view of a wheelchair showing my new design;

FIG. 2 is a left side elevational view thereof;

FIG. 3 is a front elevational view thereof;

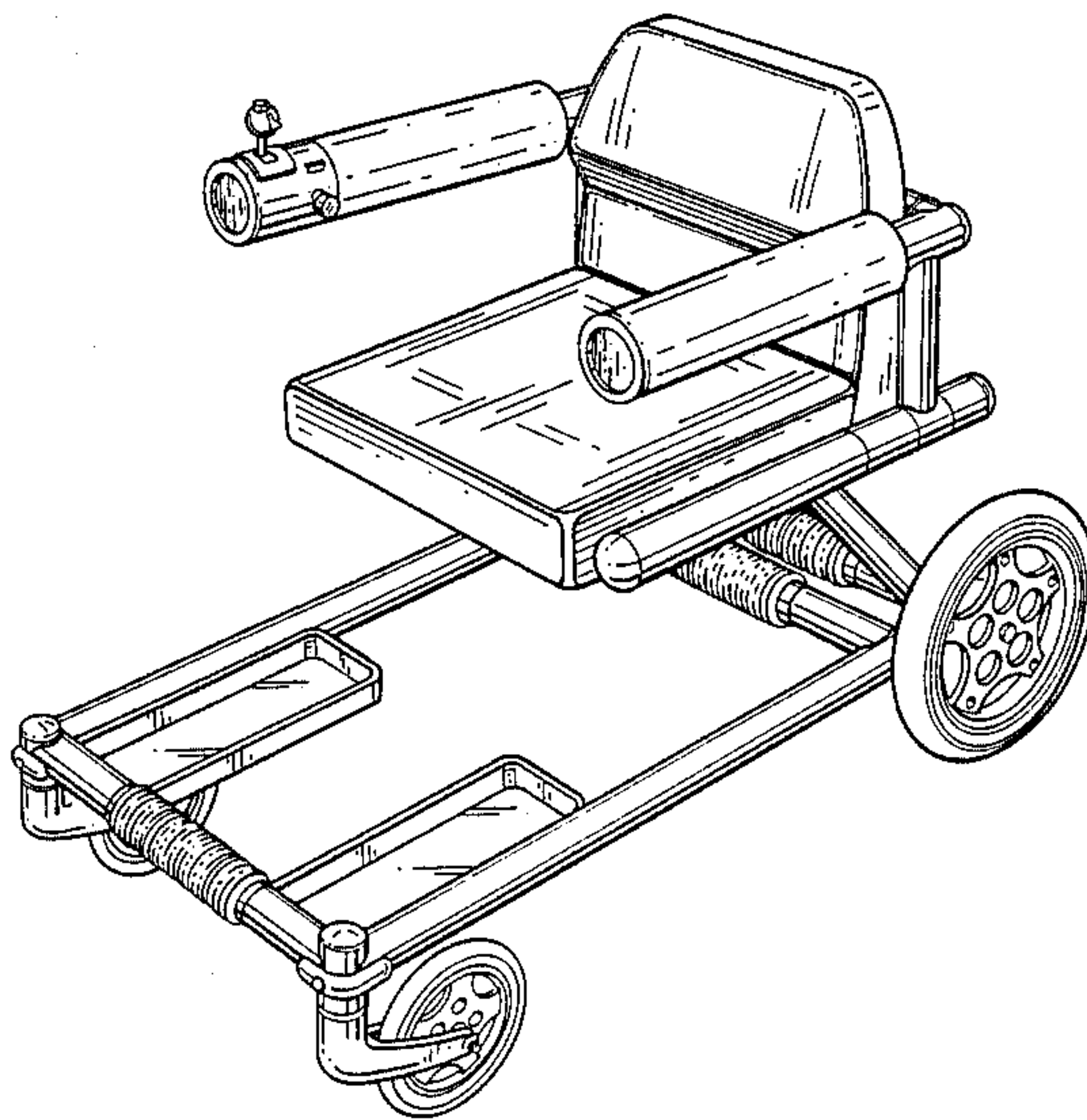
FIG. 4 is a rear elevational view thereof;

FIG. 5 is a top plan view thereof;

FIG. 6 is a bottom plan view thereof;

FIG. 7 is a front perspective view of a wheelchair showing a second embodiment;

FIG. 8 is a rear perspective view of FIG. 7.



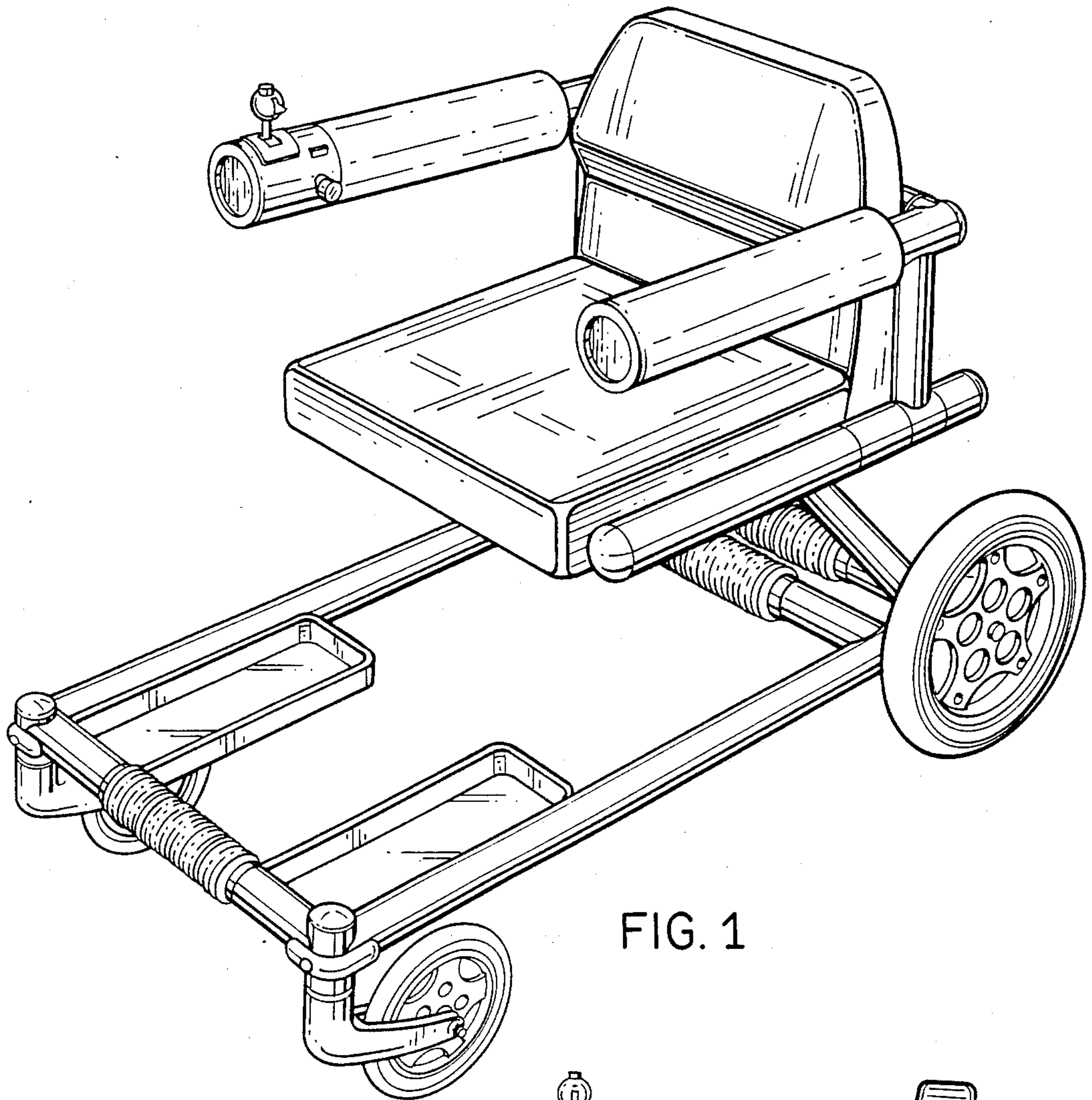


FIG. 1

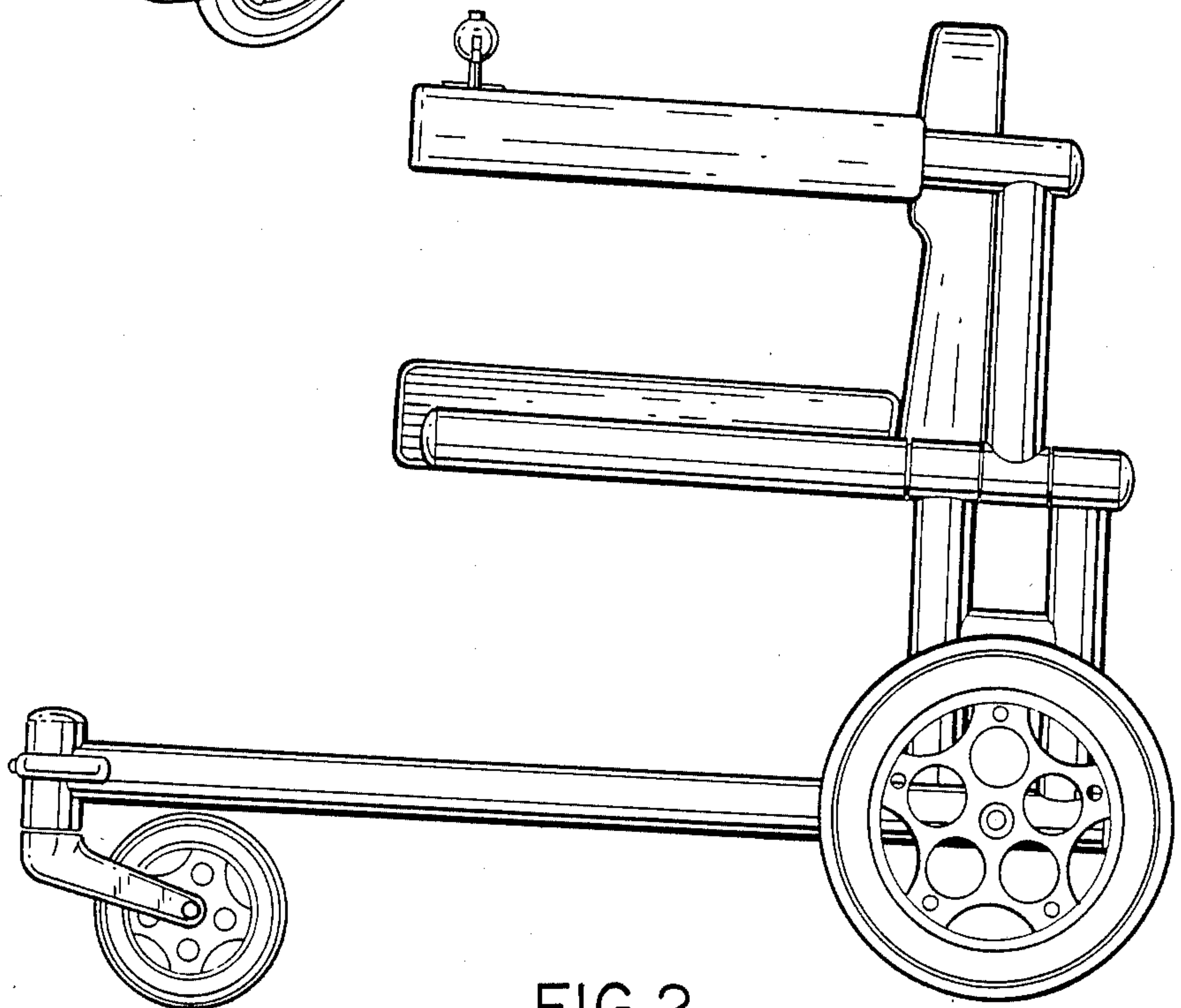


FIG. 2



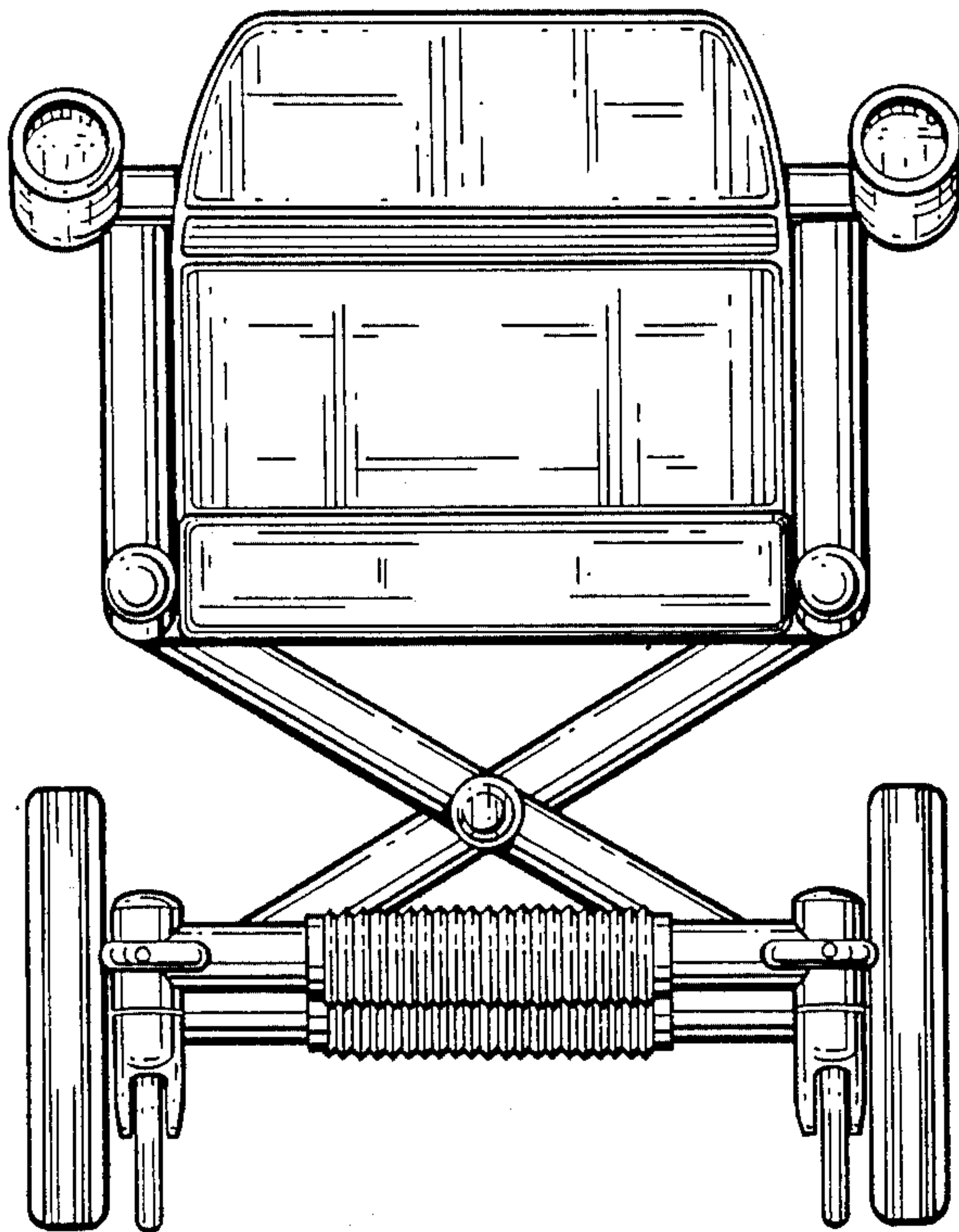


FIG. 3

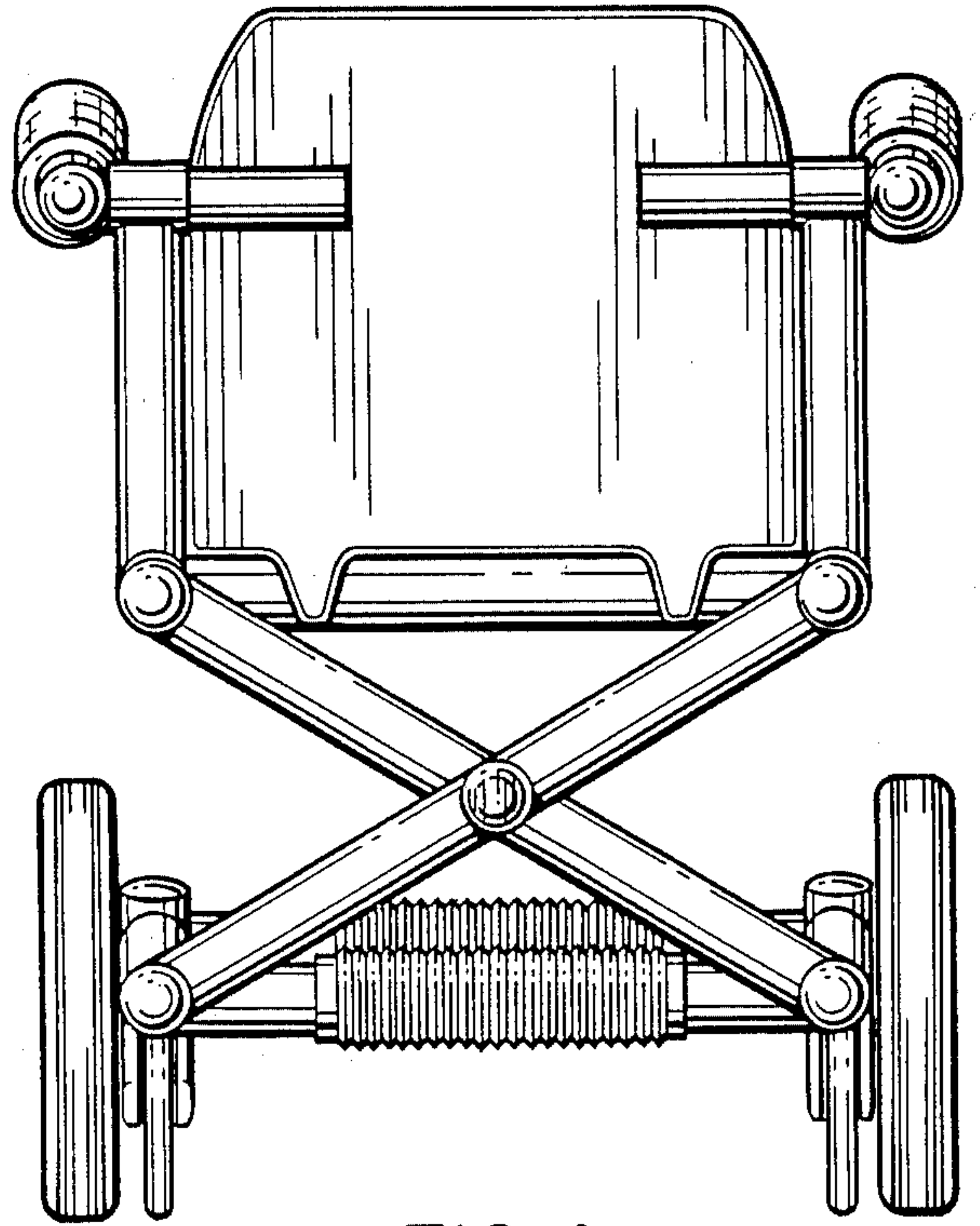


FIG. 4

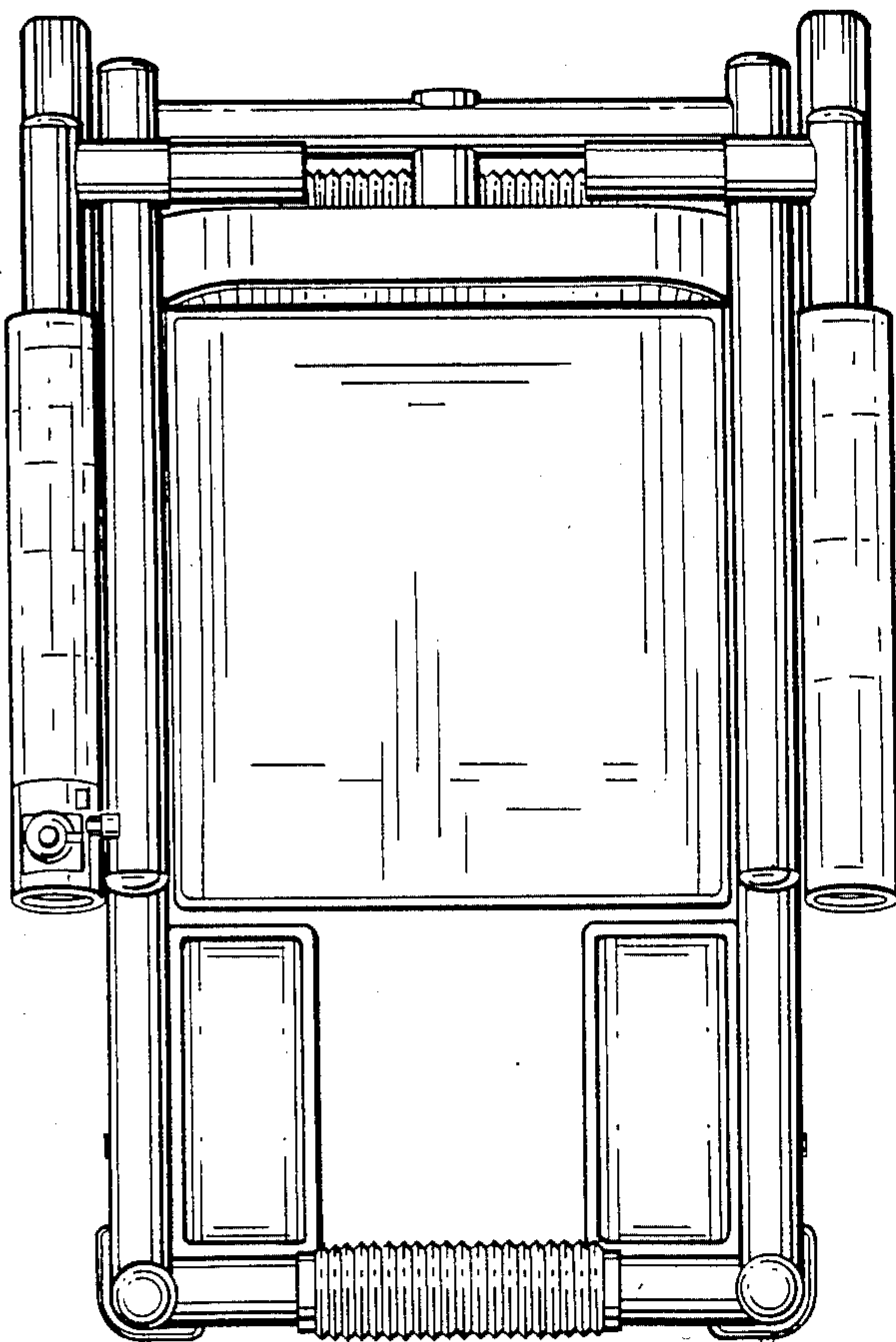


FIG. 5

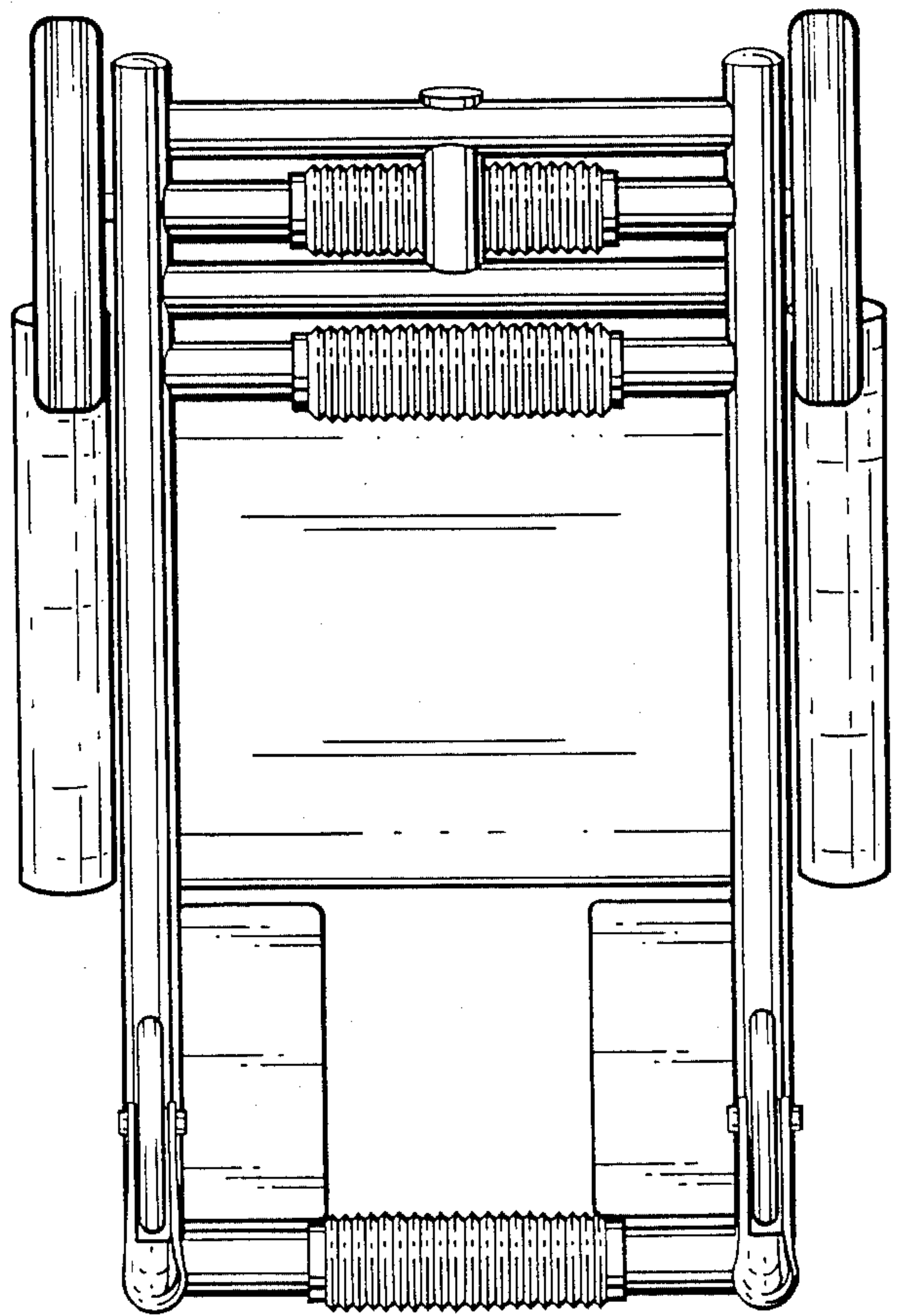


FIG. 6

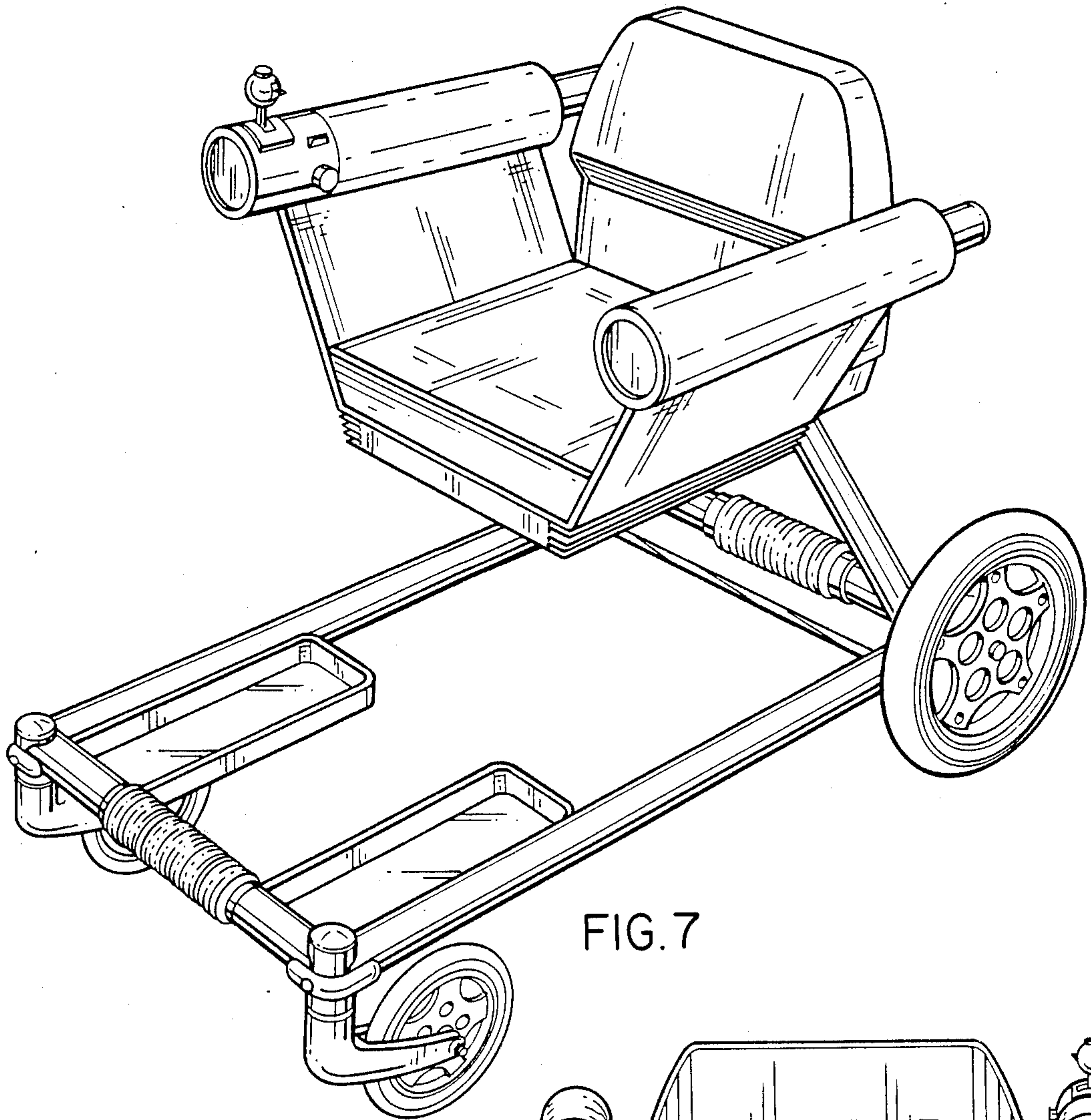


FIG. 7

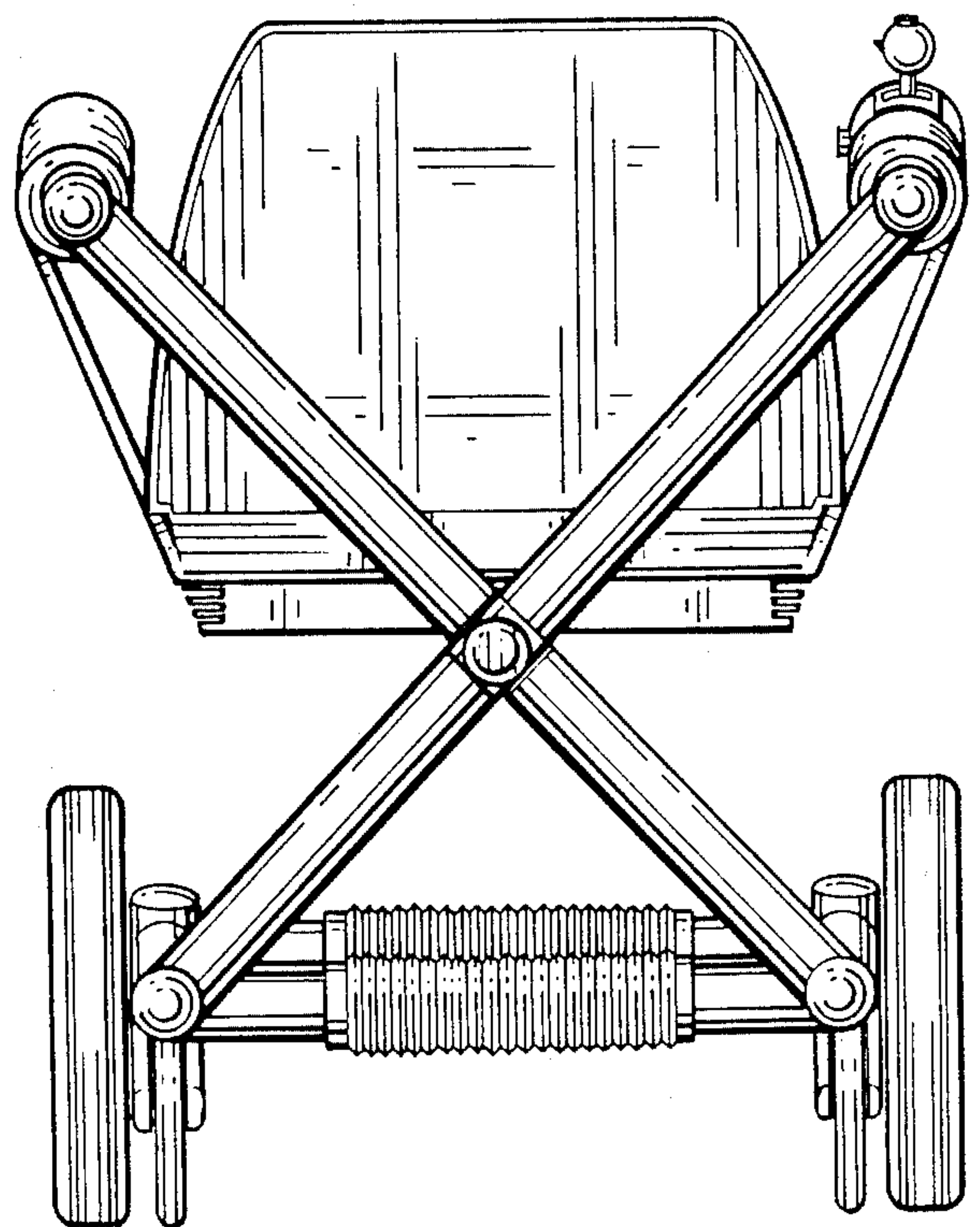


FIG. 8