

[54] TOWING VEHICLE

[76] Inventor: Robert Page, 71 Dwyer Avenue, Little Bay, N.S.W. 2036, Australia

[\*\*] Term: 14 Years

[21] Appl. No.: 862,403

[22] Filed: May 9, 1986

[52] U.S. Cl. .... D12/14; D34/37

[58] Field of Search ..... D12/1, 14, 15; D34/37; D15/30; 296/190; 280/402; 293/115, 142, 144; 180/89.12

[56] References Cited

U.S. PATENT DOCUMENTS

3,431,005	3/1969	Priefert .....	293/144
4,664,585	5/1987	Ambridge et al. ....	280/402
4,674,943	6/1987	Nespor .....	280/402

FOREIGN PATENT DOCUMENTS

3518899 11/1986 Fed. Rep. of Germany ..... 293/115

Primary Examiner—Wallace R. Burke

Assistant Examiner—Kay H. Chin

[57] CLAIM

The ornamental design for a towing vehicle, as shown and described.

DESCRIPTION

FIG. 1 is a front perspective view of a towing vehicle showing my new design;

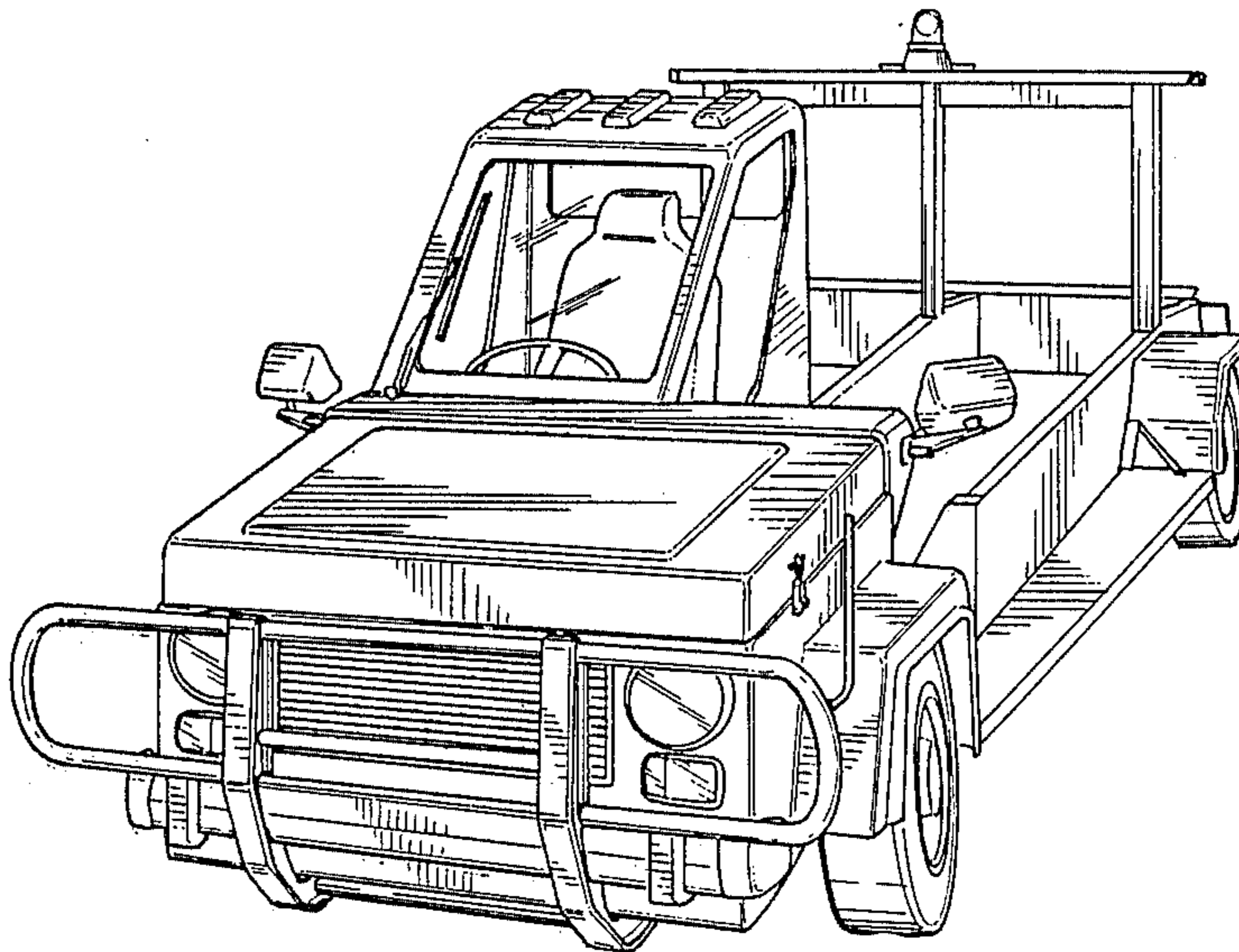
FIG. 2 is a front elevational view thereof;

FIG. 3 is a top plan view thereof;

FIG. 4 is a rear elevational view thereof;

FIG. 5 is a left side elevational view thereof, the right side elevational view being a mirror image of that shown; and,

FIG. 6 is a left side elevational view thereof, with the vehicle bed in a lowered condition.



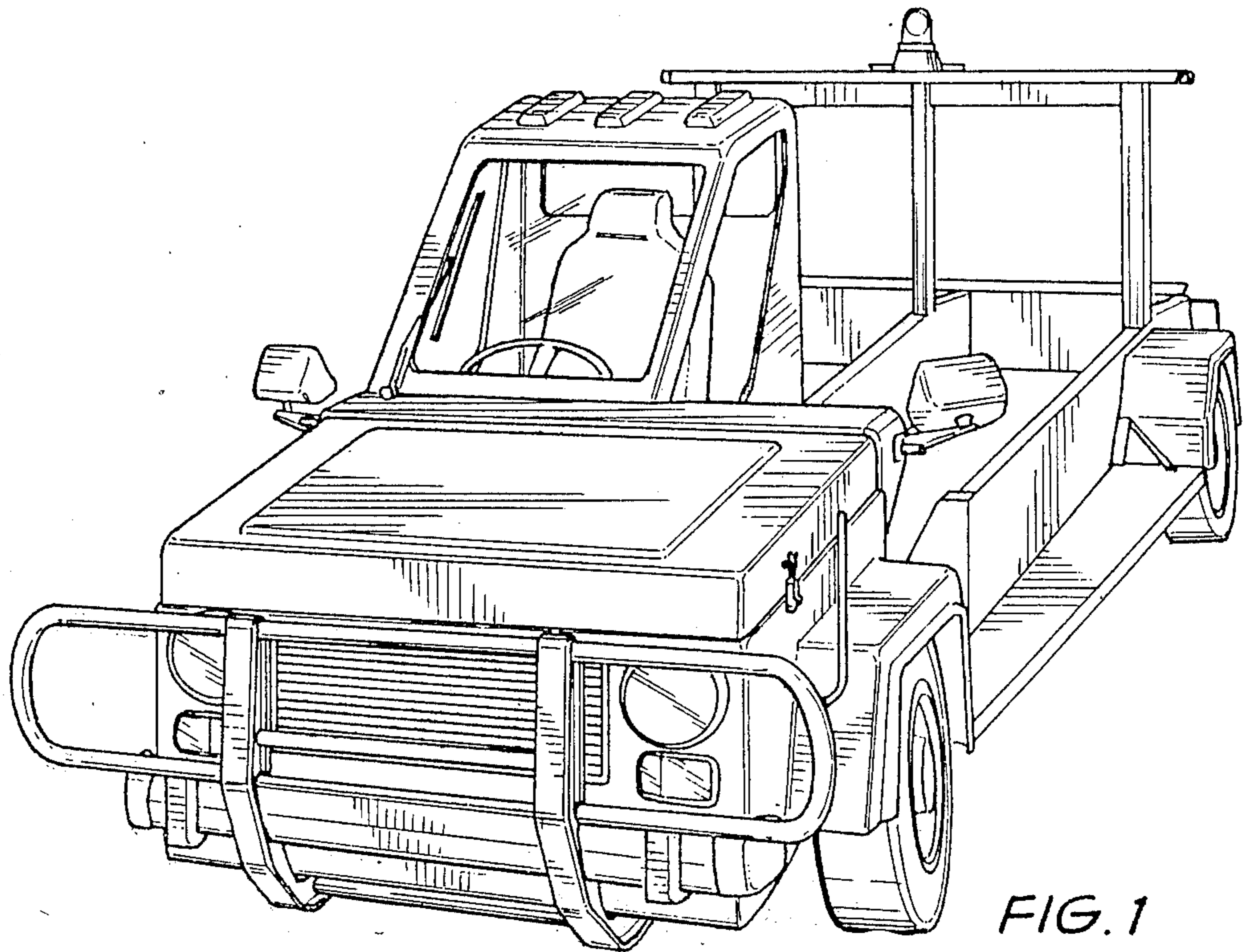


FIG. 1

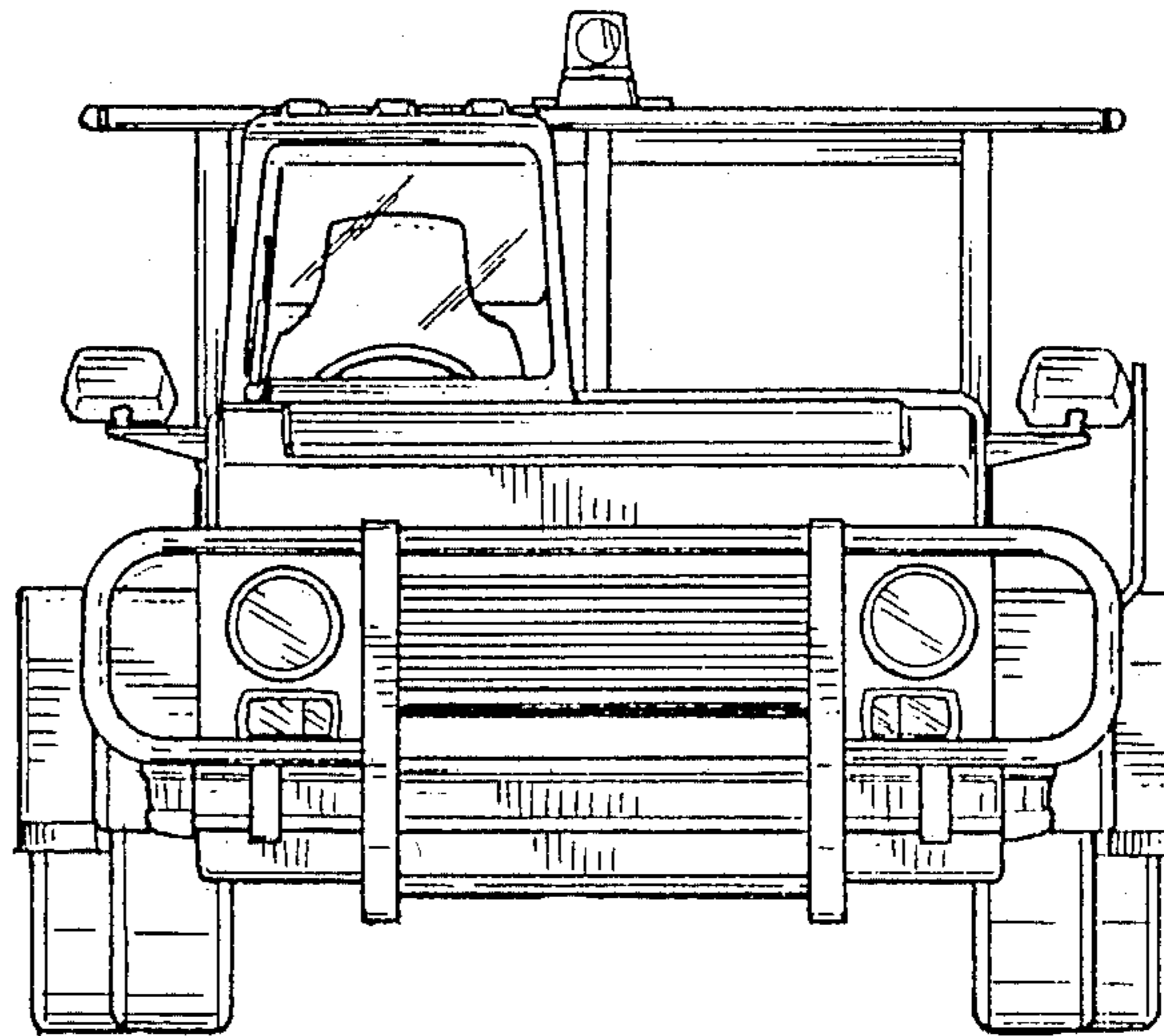


FIG. 2

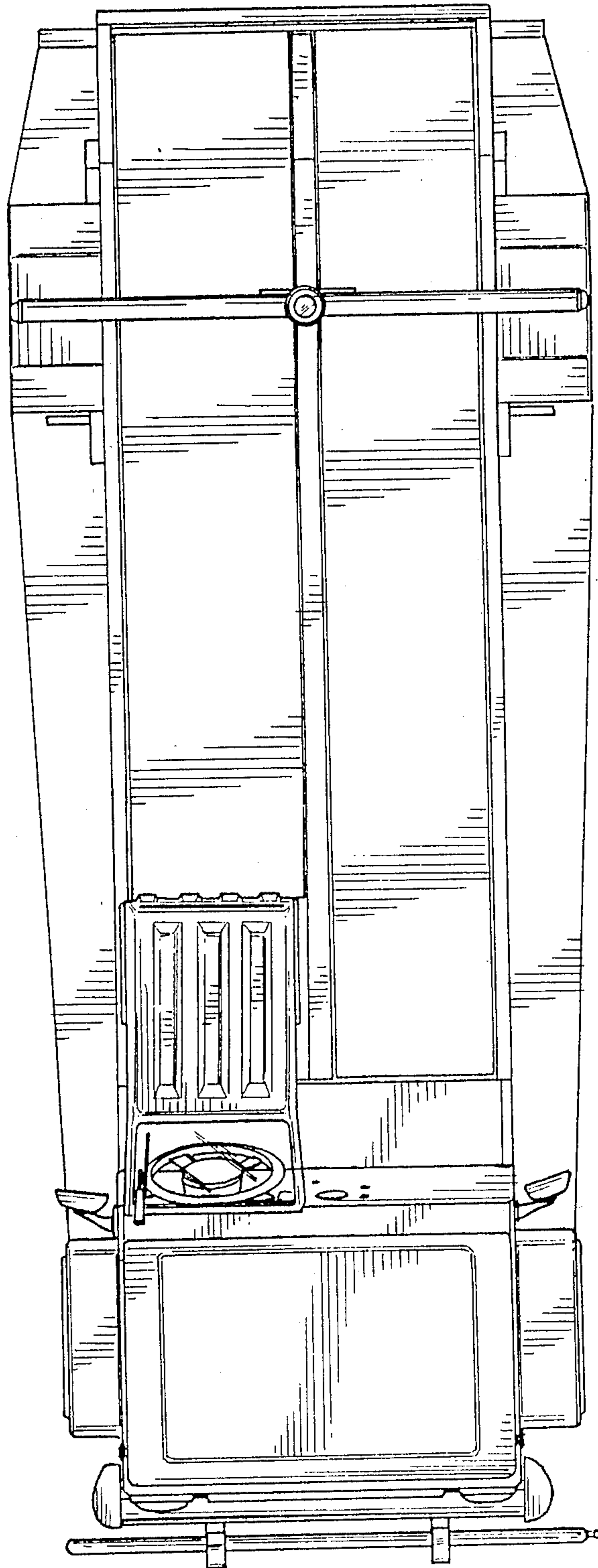


FIG. 3

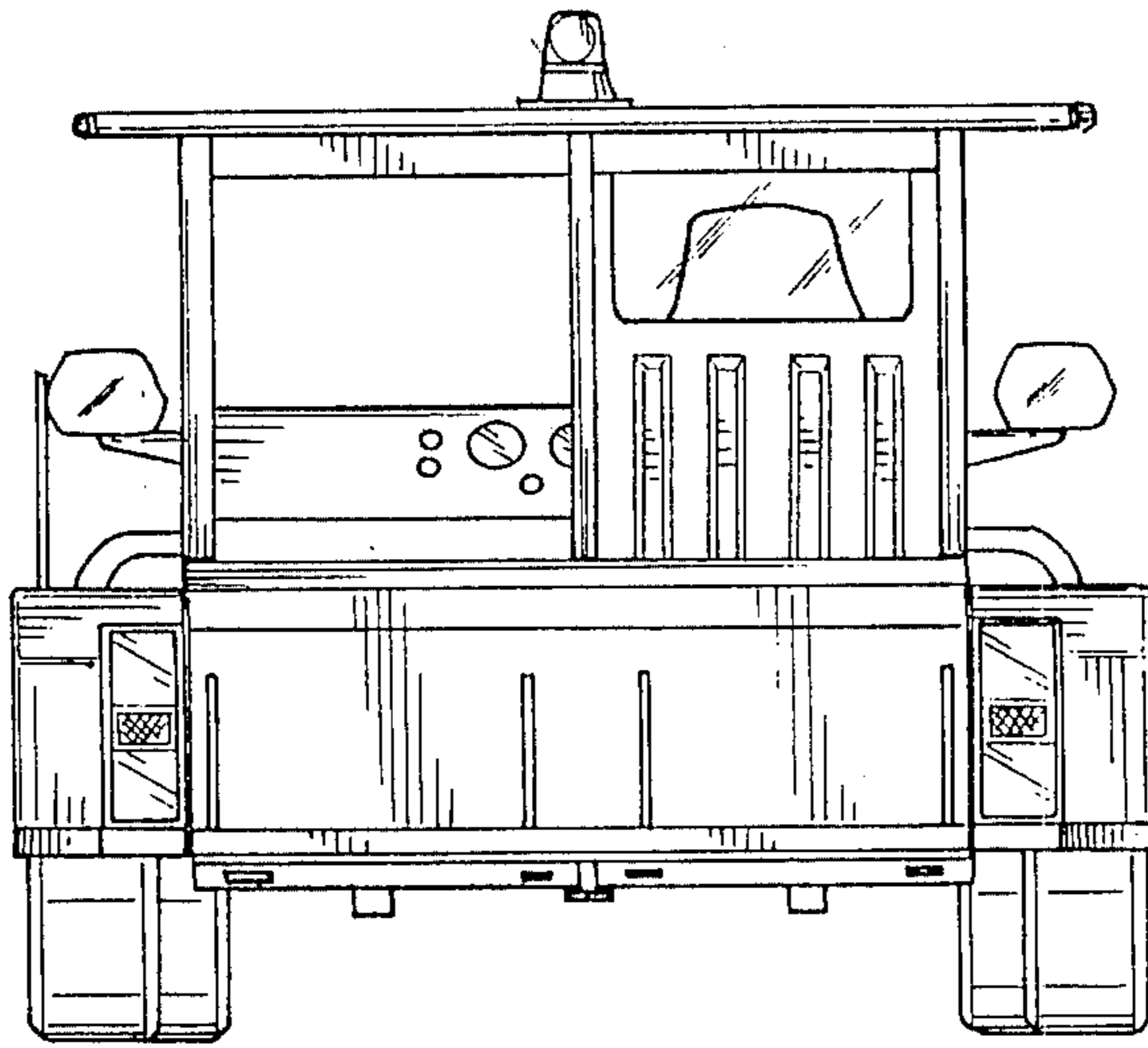


FIG. 4

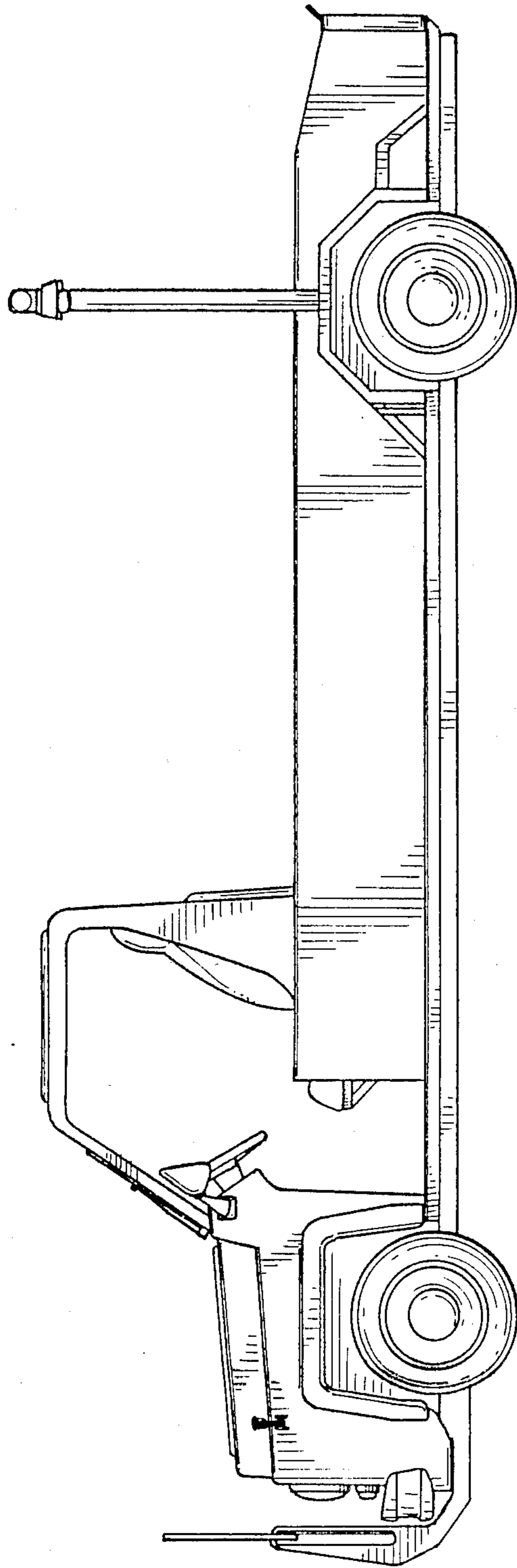


FIG. 5

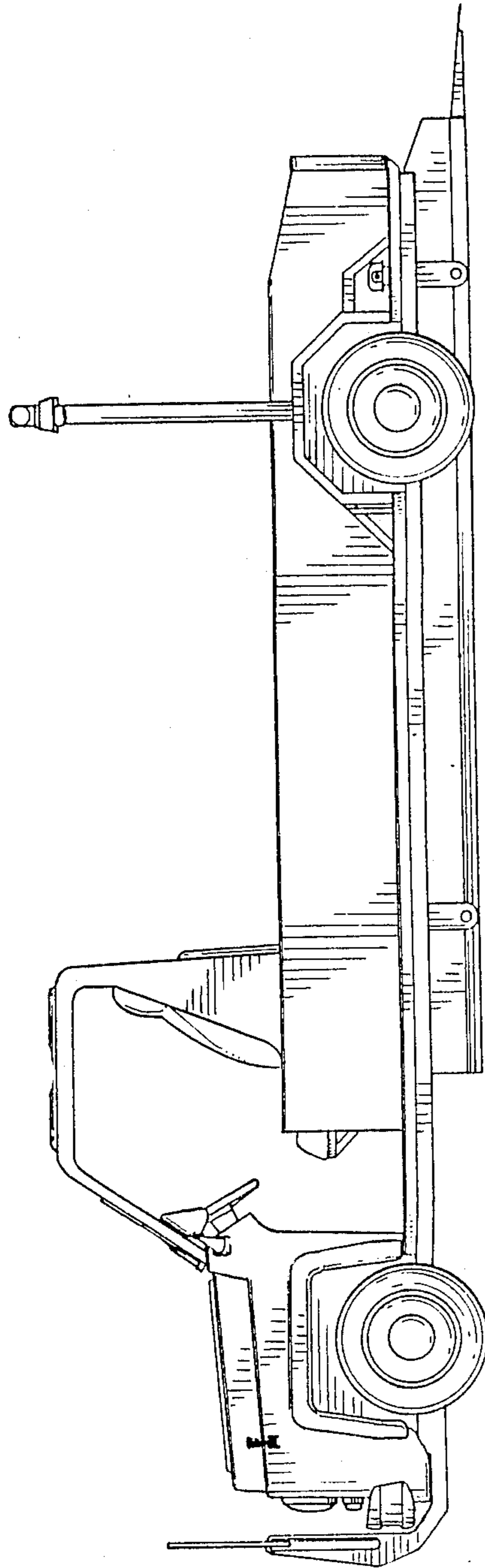


FIG. 6