

**United States Patent** [19]  
**Prindle**

[11] **Patent Number: Des. 299,308**  
[45] **Date of Patent: \*\* Jan. 10, 1989**

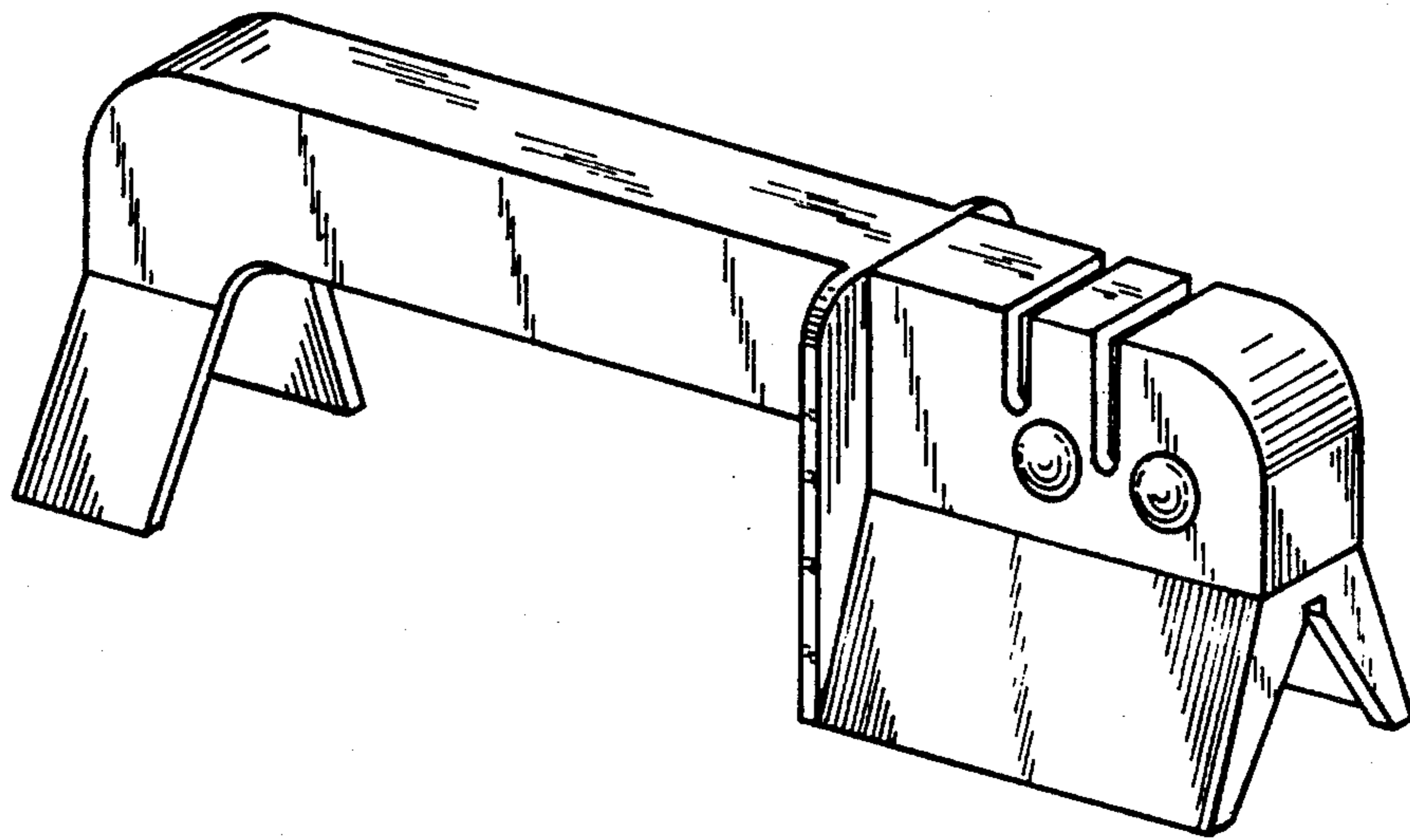
[54] **KNIFE SHARPENER**  
[75] **Inventor: William A. Prindle, Santa Barbara, Calif.**  
[73] **Assignee: Corning Glass Works, Corning, N.Y.**  
[\*\*] **Term: 14 Years**  
[21] **Appl. No.: 101,769**  
[22] **Filed: Sep. 28, 1987**  
[52] **U.S. Cl. .... D8/93**  
[58] **Field of Search .... D8/90-94,  
D8/63; D7/74; 51/158, 204, 211 R, 211 H, 221  
BS, 285, 205 WG; 30/138; 76/82, 82.1, 82.2, 83**

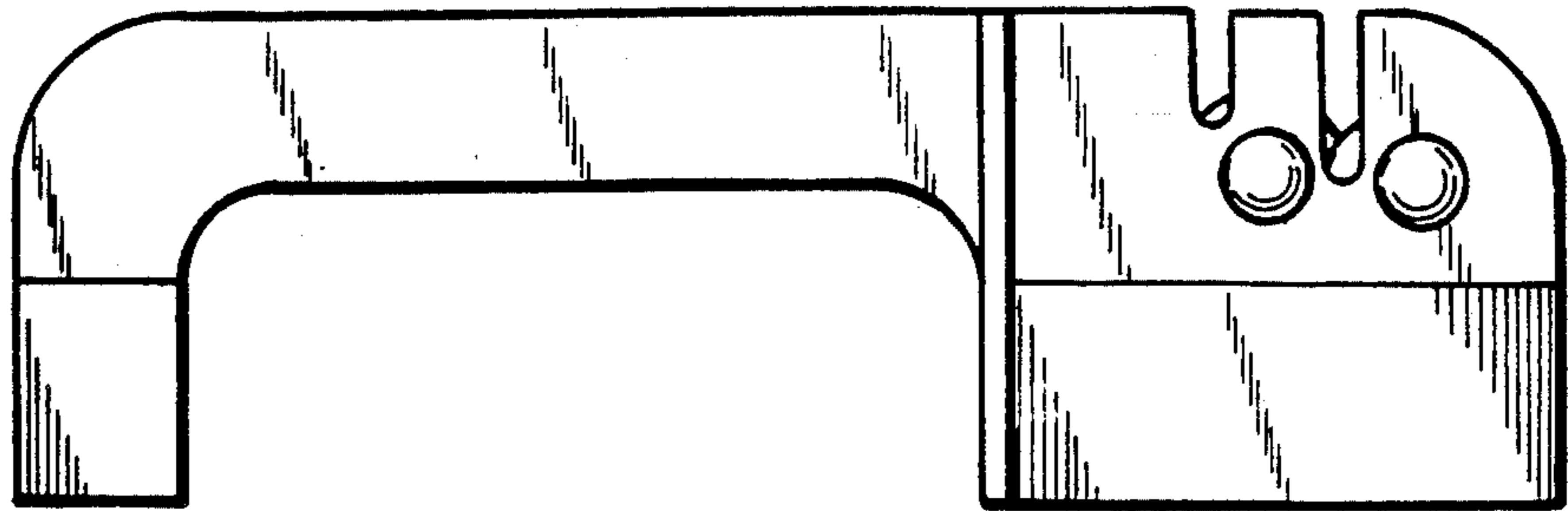
[56] **References Cited**  
**U.S. PATENT DOCUMENTS**  
D. 169,539 5/1953 Folli ..... D8/63  
D. 219,726 1/1971 van Horn ..... D8/91

D. 274,497 7/1984 Zabel et al. .... D8/93  
2,042,916 6/1936 Viozzi ..... 51/205 WG  
*Primary Examiner*—Wallace R. Burke  
*Assistant Examiner*—Clare E. Heflin  
*Attorney, Agent, or Firm*—Richard N. Wardell; Alfred L. Michaelson

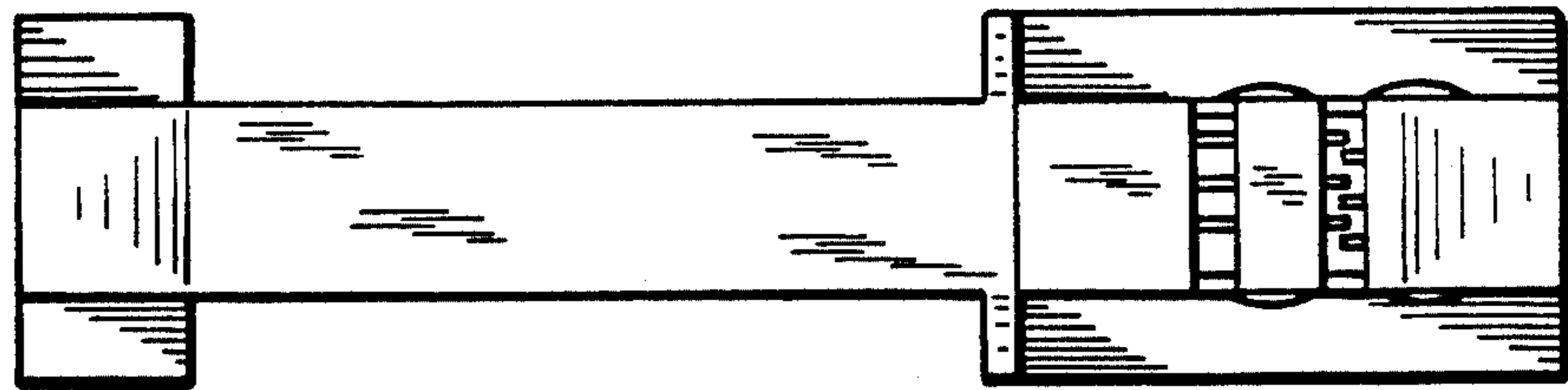
[57] **CLAIM**  
The ornamental design for a knife sharpener, as shown and described.

**DESCRIPTION**  
FIG. 1 is a side elevational view of the knife sharpener showing my new design;  
FIG. 2 is a top plan view thereof;  
FIG. 3 is a bottom plan view thereof;  
FIG. 4 is a front elevational view thereof;  
FIG. 5 is a rear elevational view thereof;  
FIG. 6 is a perspective view thereof.

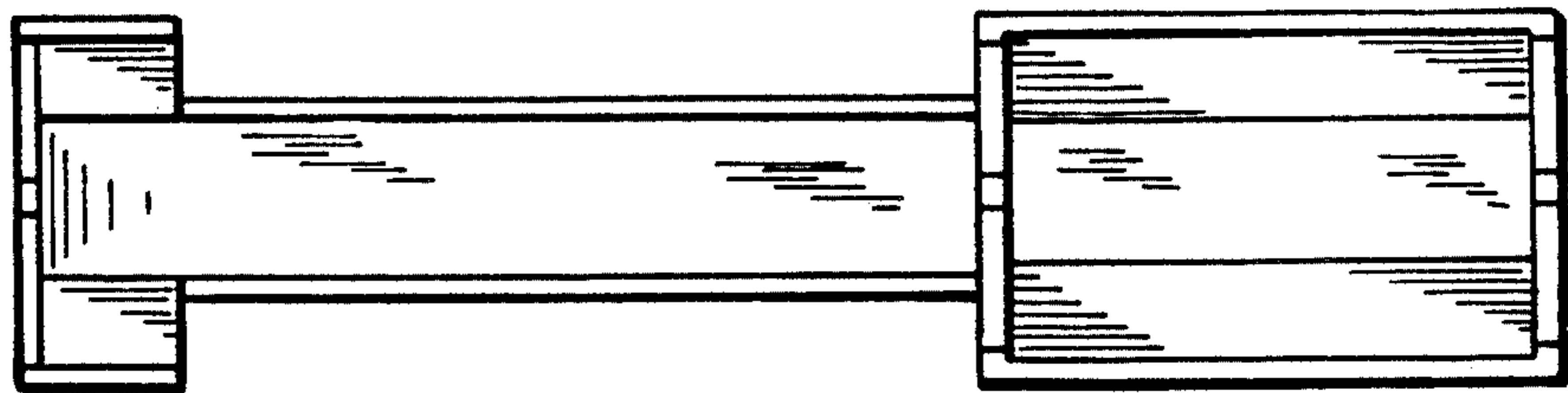




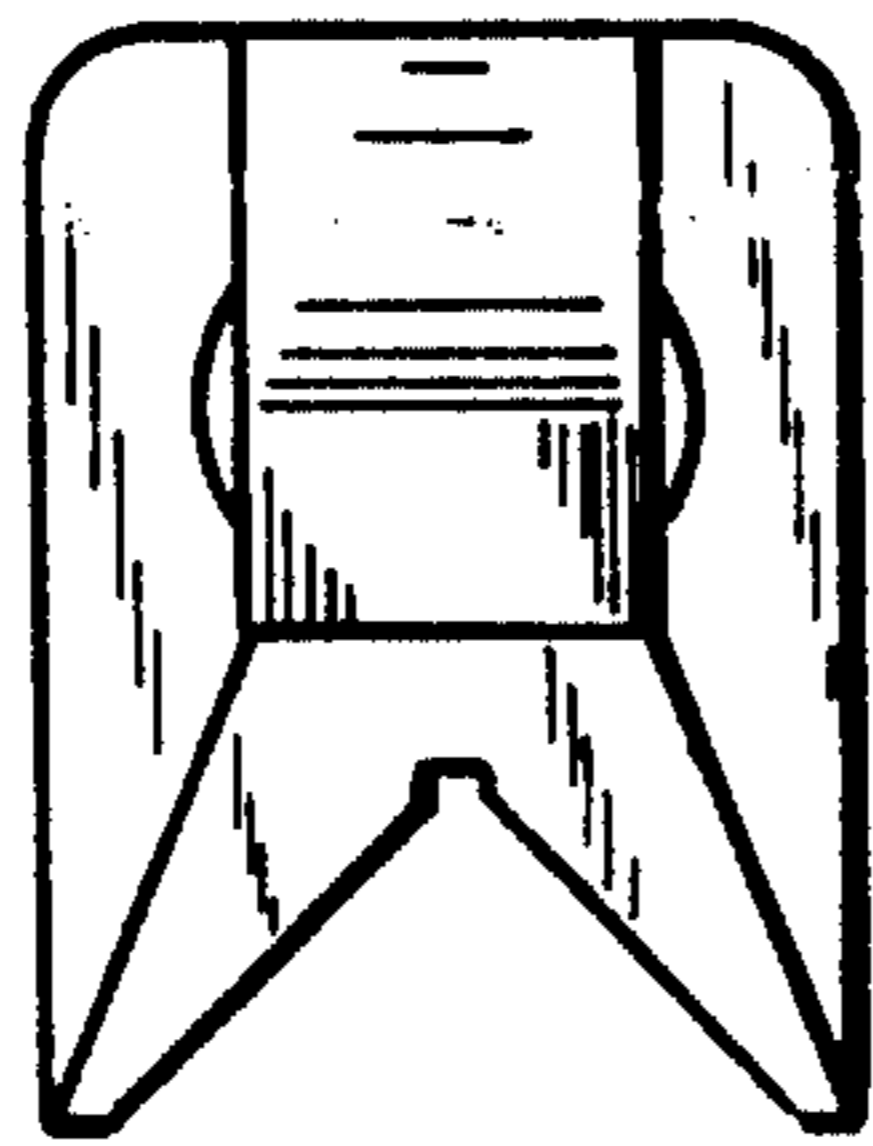
*Fig. 1*



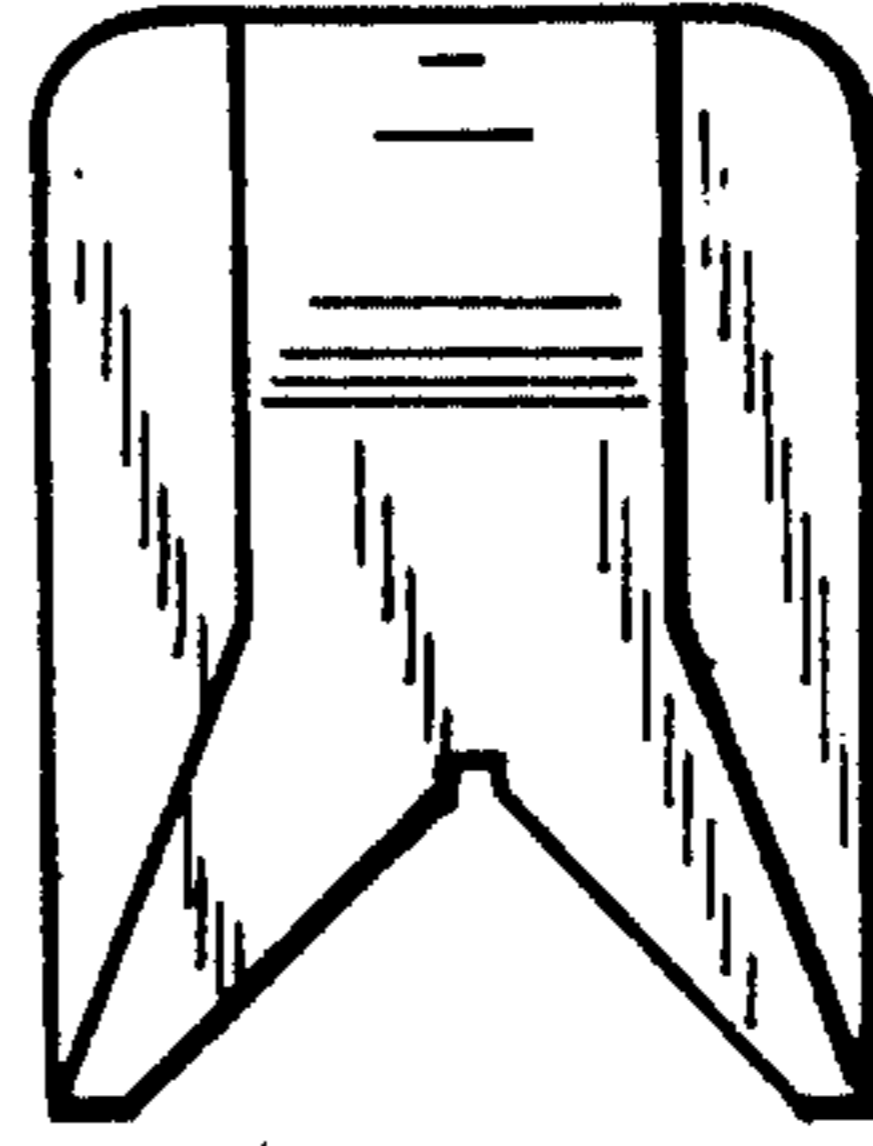
*Fig. 2*



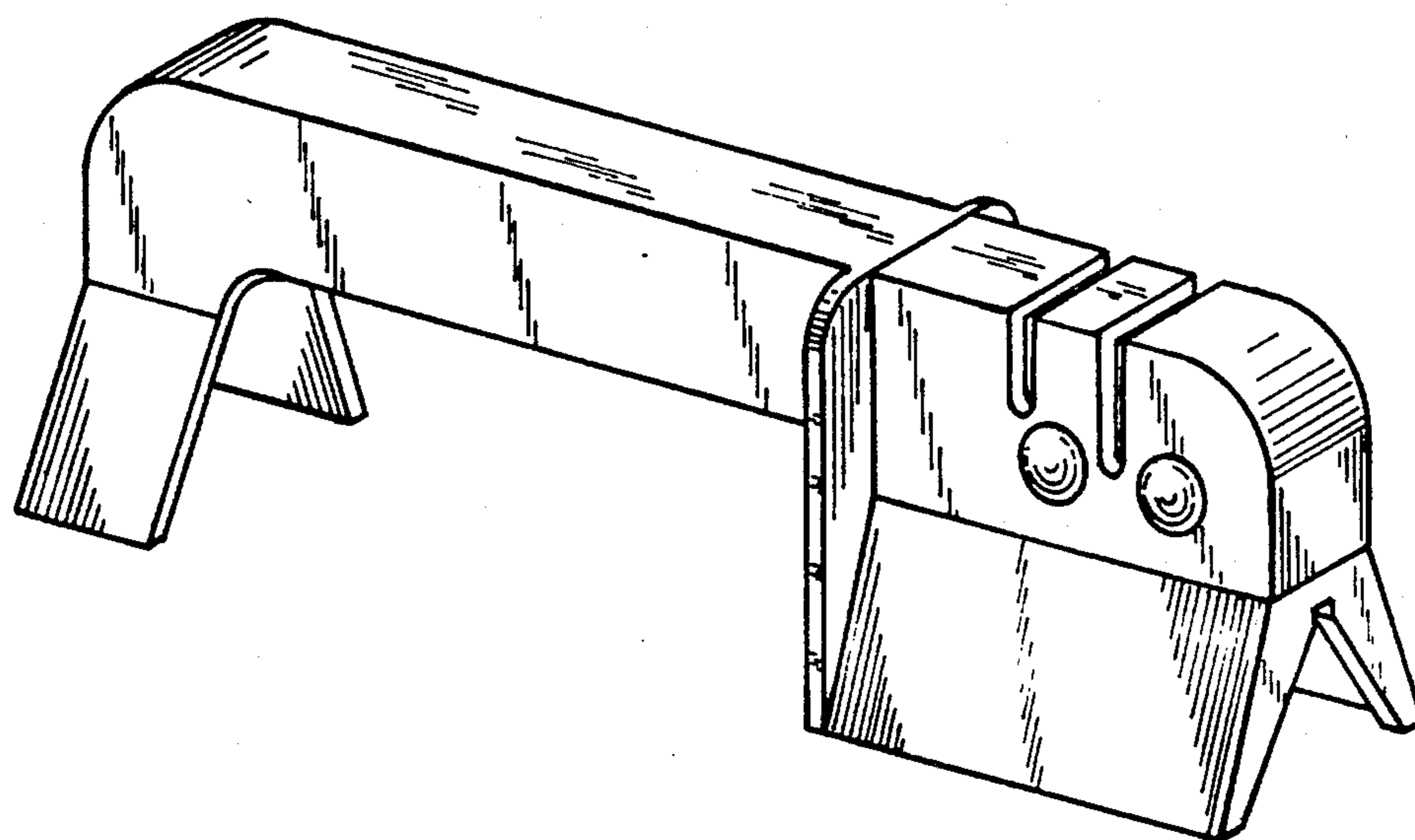
*Fig. 3*



*Fig. 4*



*Fig. 5*



*Fig. 6*