

[54] MICROWAVE OVEN

[75] Inventor: Kenzo Yoshida, Osaka, Japan

[73] Assignee: Sharp Corporation, Osaka, Japan

[**] Term: 14 Years

[21] Appl. No.: 922,111

[22] Filed: Oct. 20, 1986

[30] Foreign Application Priority Data

Apr. 22, 1986 [JP] Japan 61-15406

[52] U.S. Cl. D7/351

[58] Field of Search D7/348-351;
219/10.55 R

[56] References Cited

U.S. PATENT DOCUMENTS

- D. 259,761 7/1981 Yamamura et al. D7/351
- D. 261,468 10/1981 Takahashi et al. D7/351
- D. 290,805 7/1987 Kubo et al. D7/351

D. 295,357 4/1988 Kubo et al. D7/351

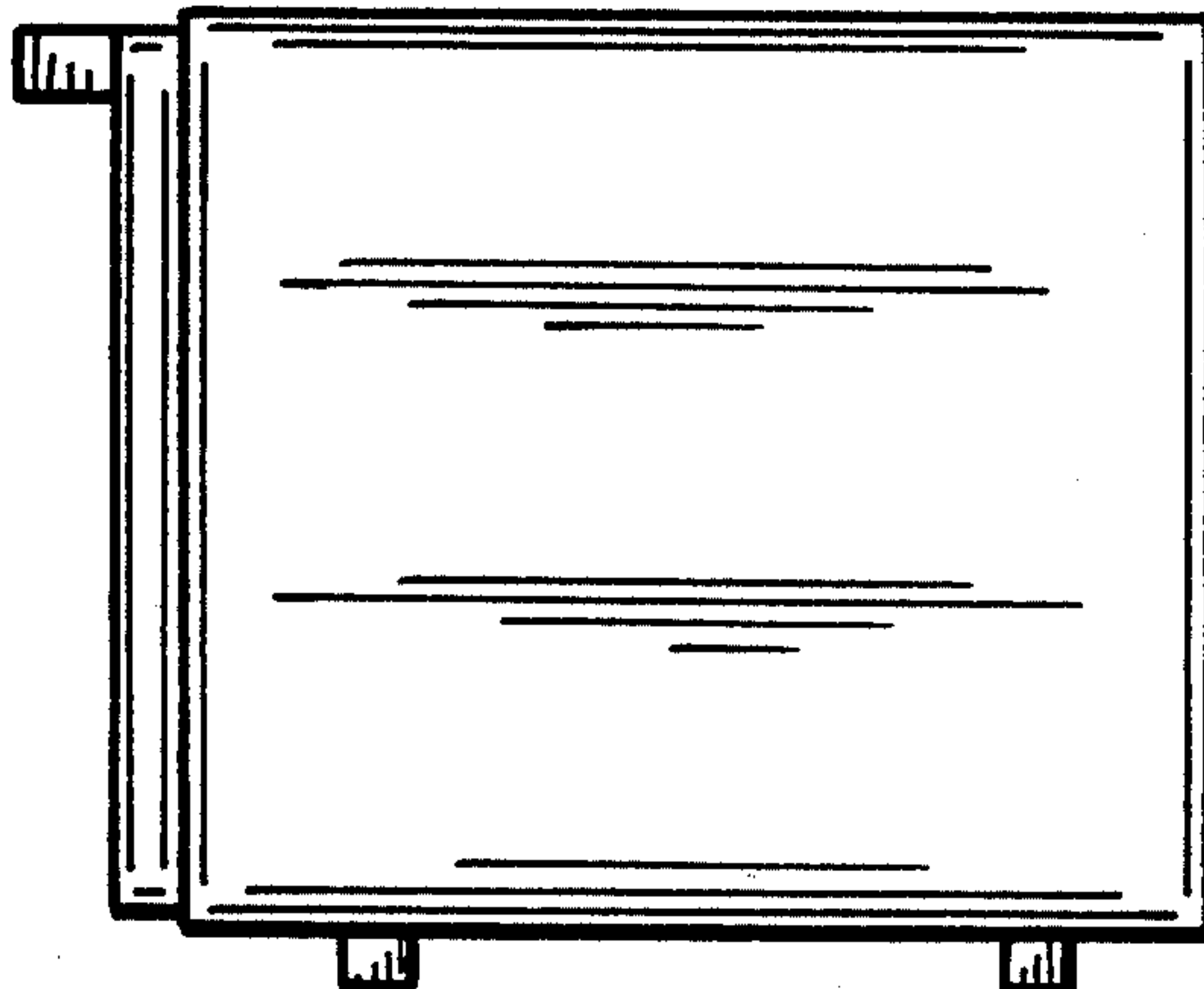
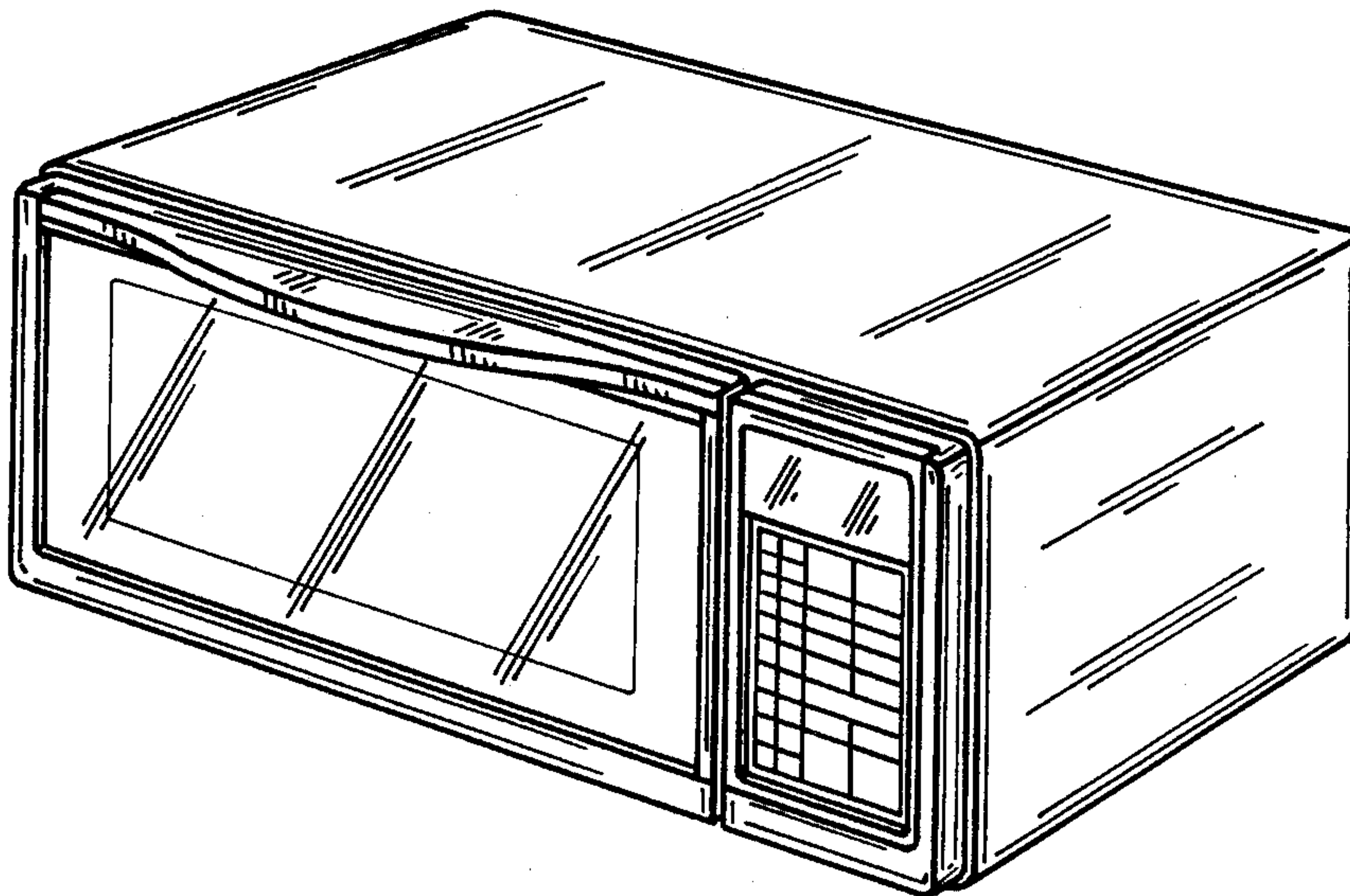
Primary Examiner—James M. Gandy
Assistant Examiner—R. Takemoto
Attorney, Agent, or Firm—Flehr, Hohbach, Test,
Albritton & Herbert

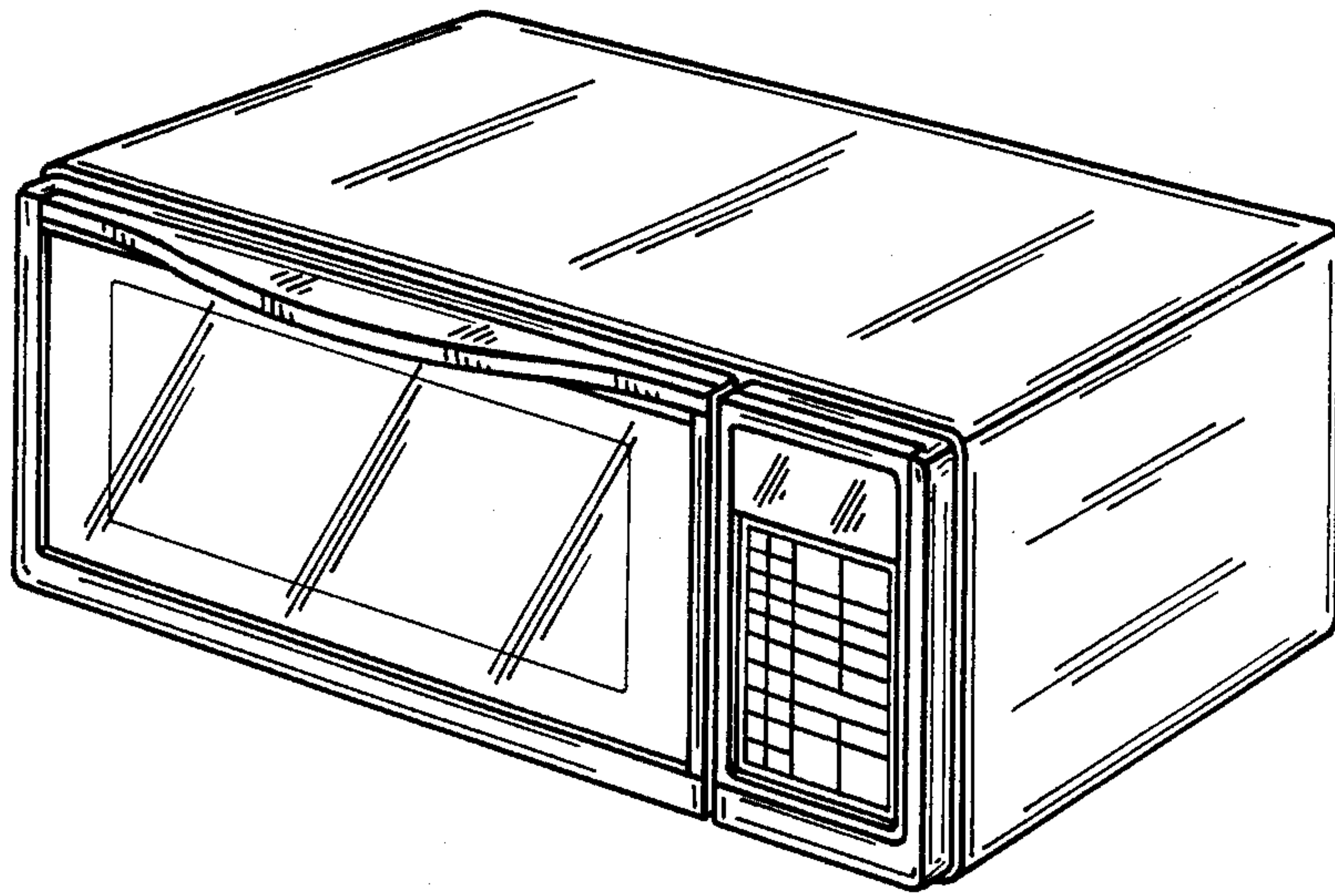
[57] CLAIM

The ornamental design for a microwave oven, as shown and described.

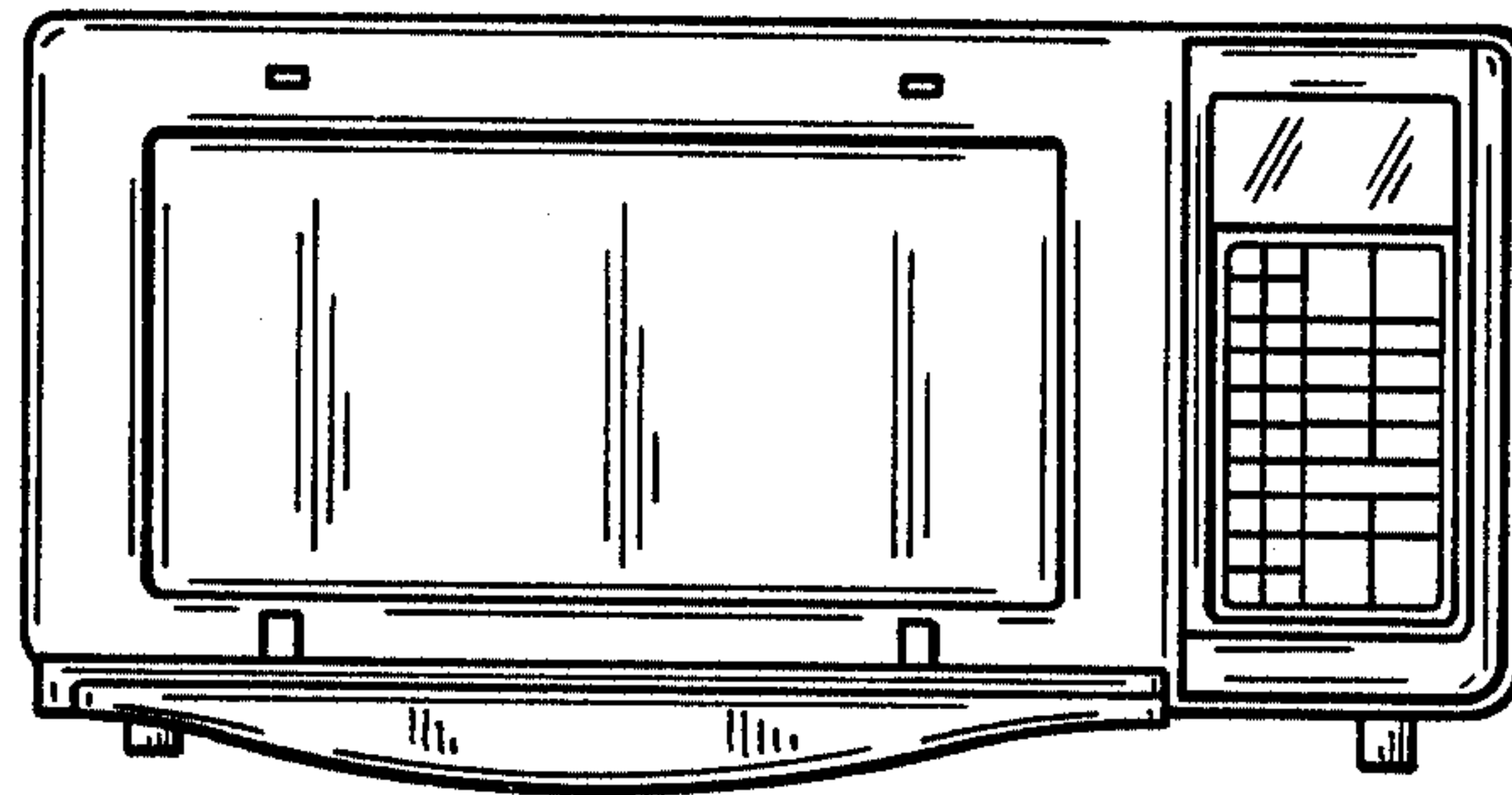
DESCRIPTION

FIG. 1 is a perspective view of the microwave oven showing my new design;
FIG. 2 is a front elevational view thereof with the door open;
FIG. 3 is a front elevational view thereof with the door closed;
FIG. 4 is a rear elevational view thereof;
FIG. 5 is a top plan view thereof;
FIG. 6 is a bottom plan view thereof; and
FIG. 7 is a right side elevational view thereof with the left side elevational view being a mirror image thereof.

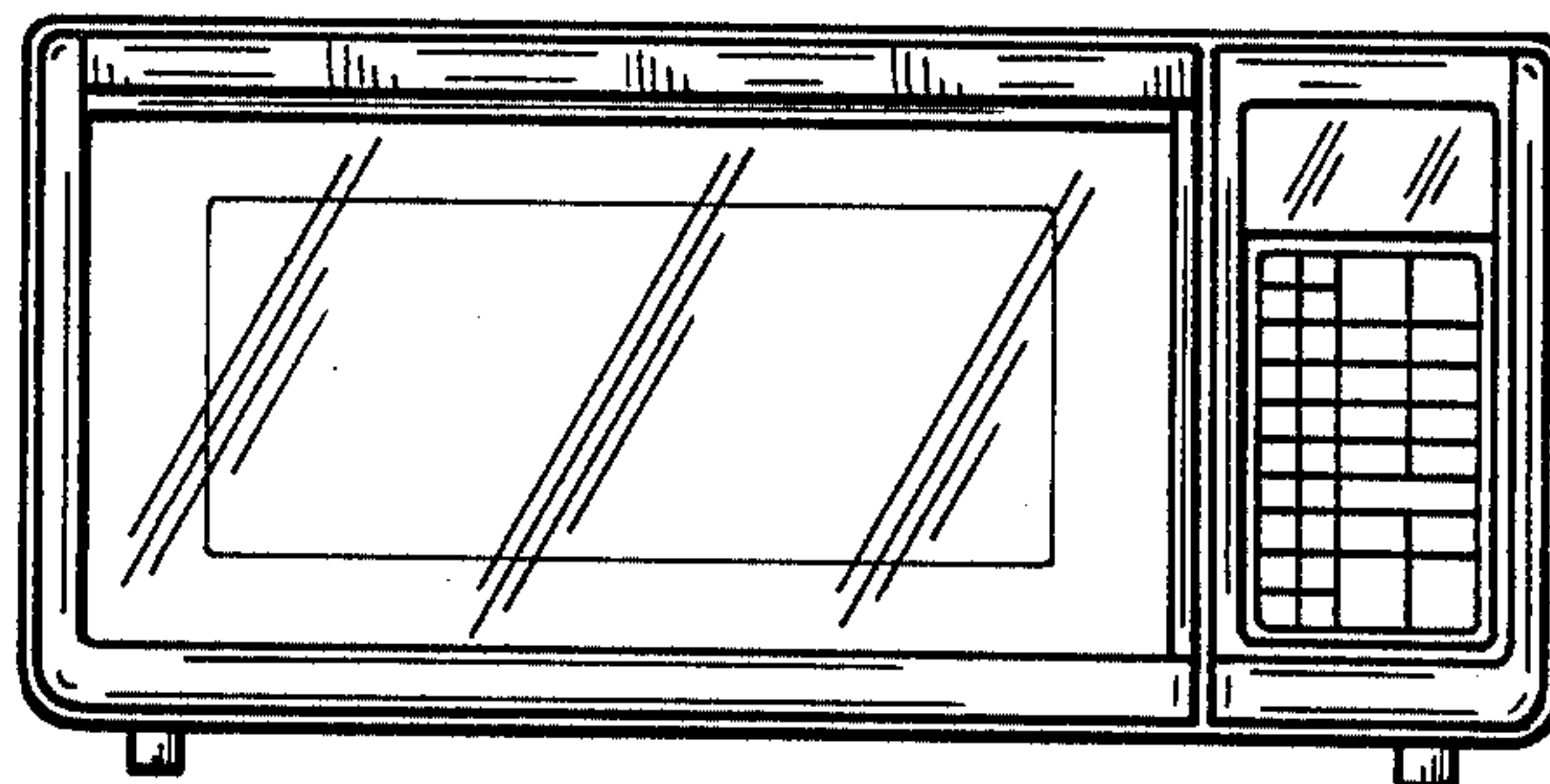




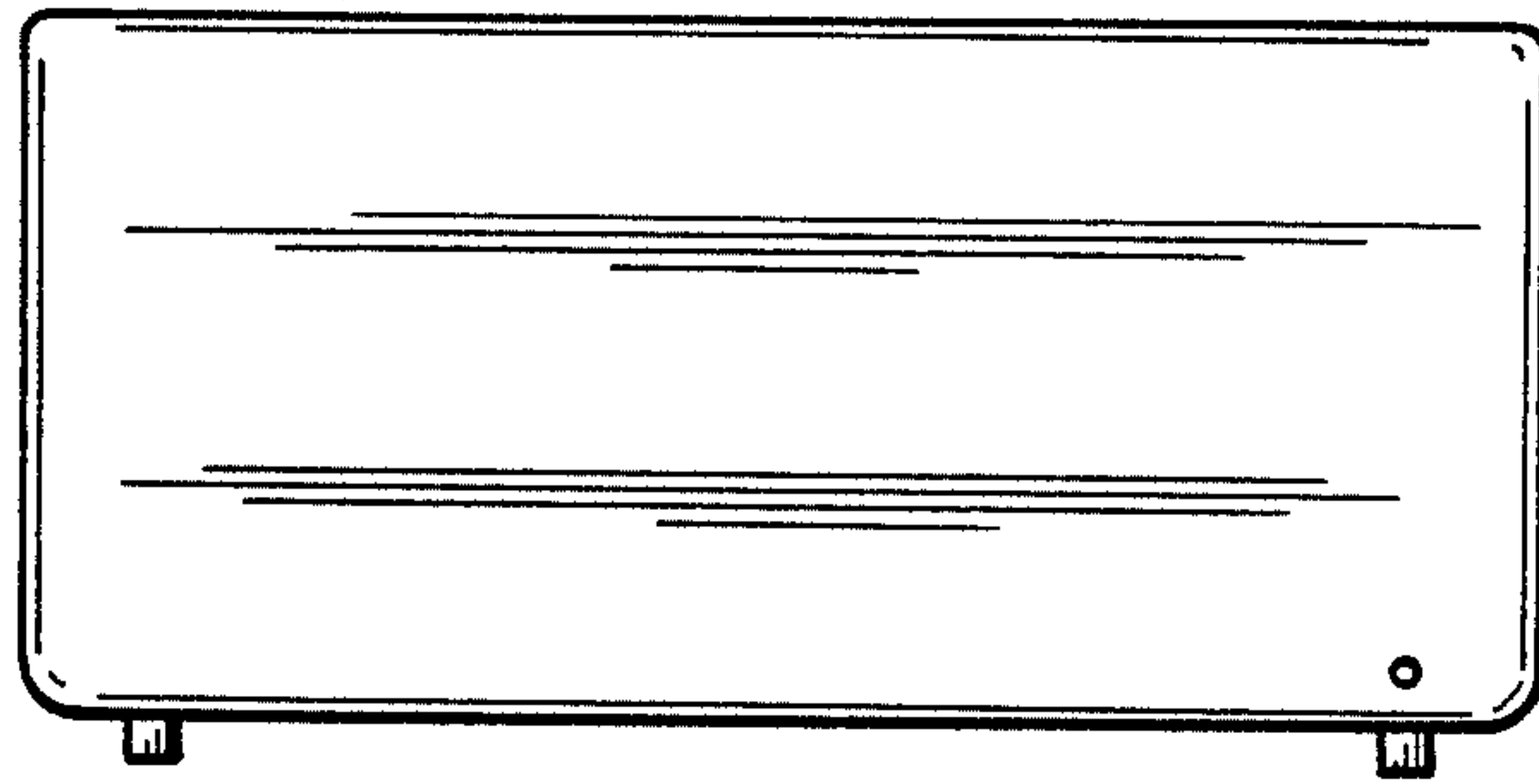
FIG_1



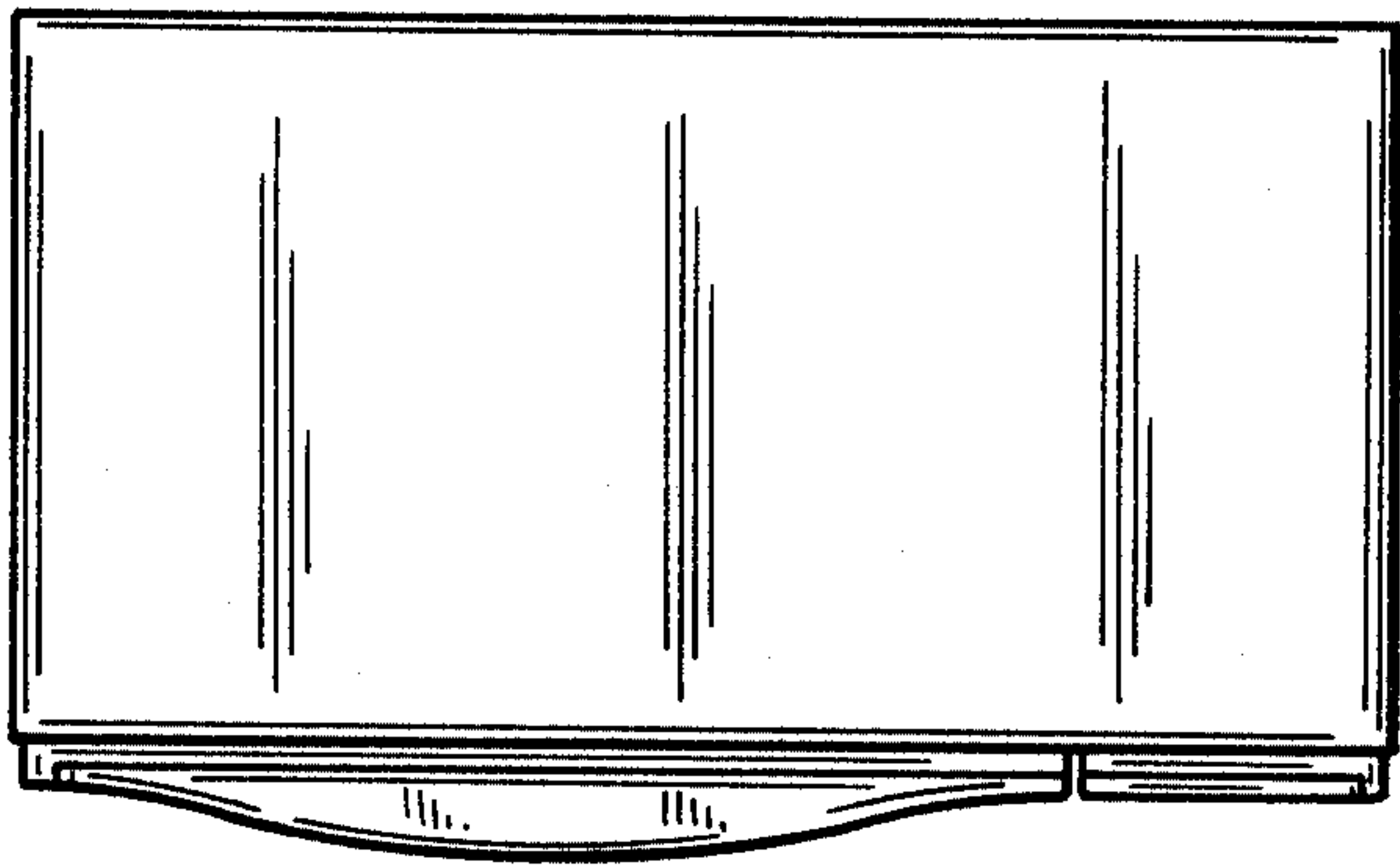
FIG_2



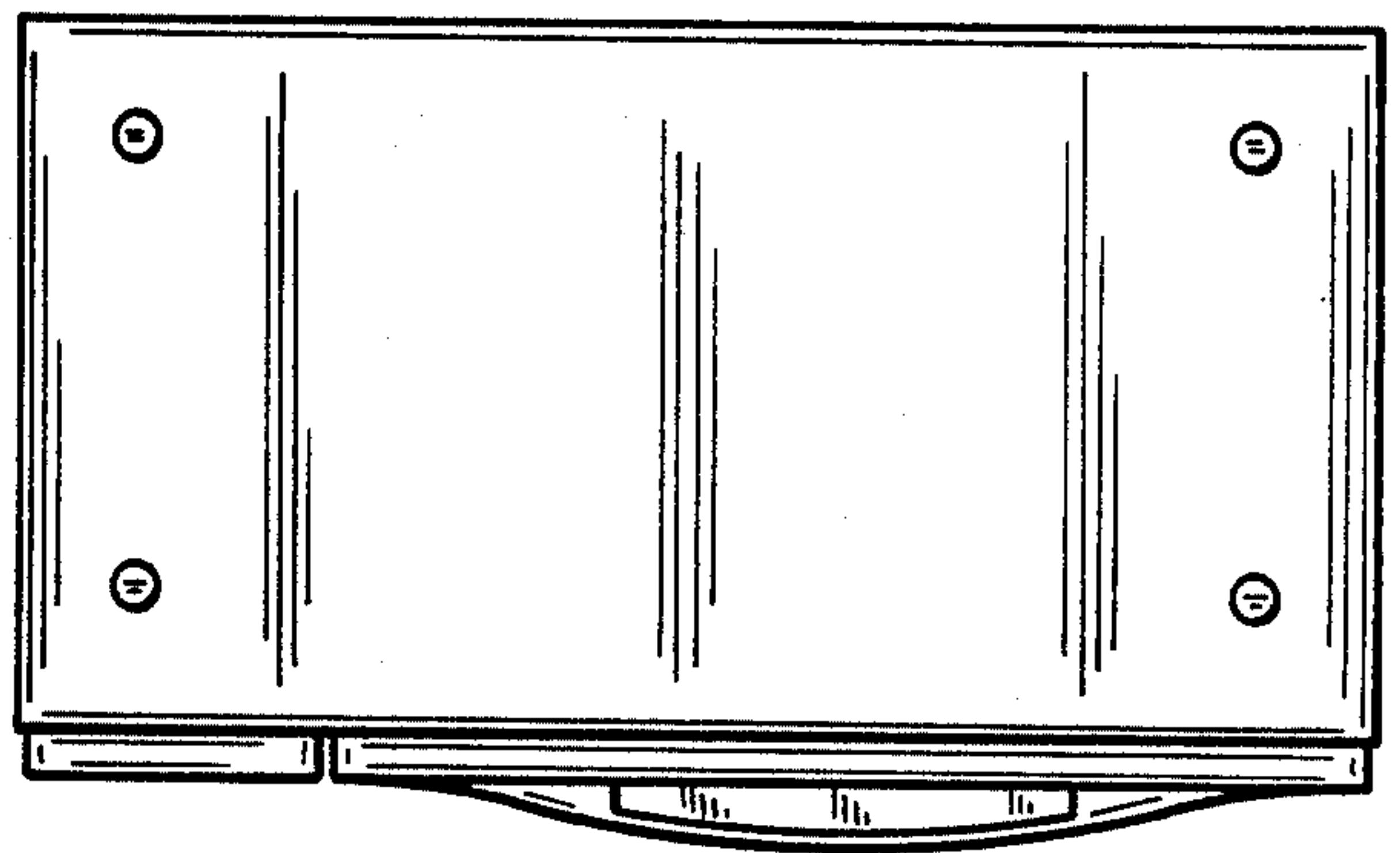
FIG_3



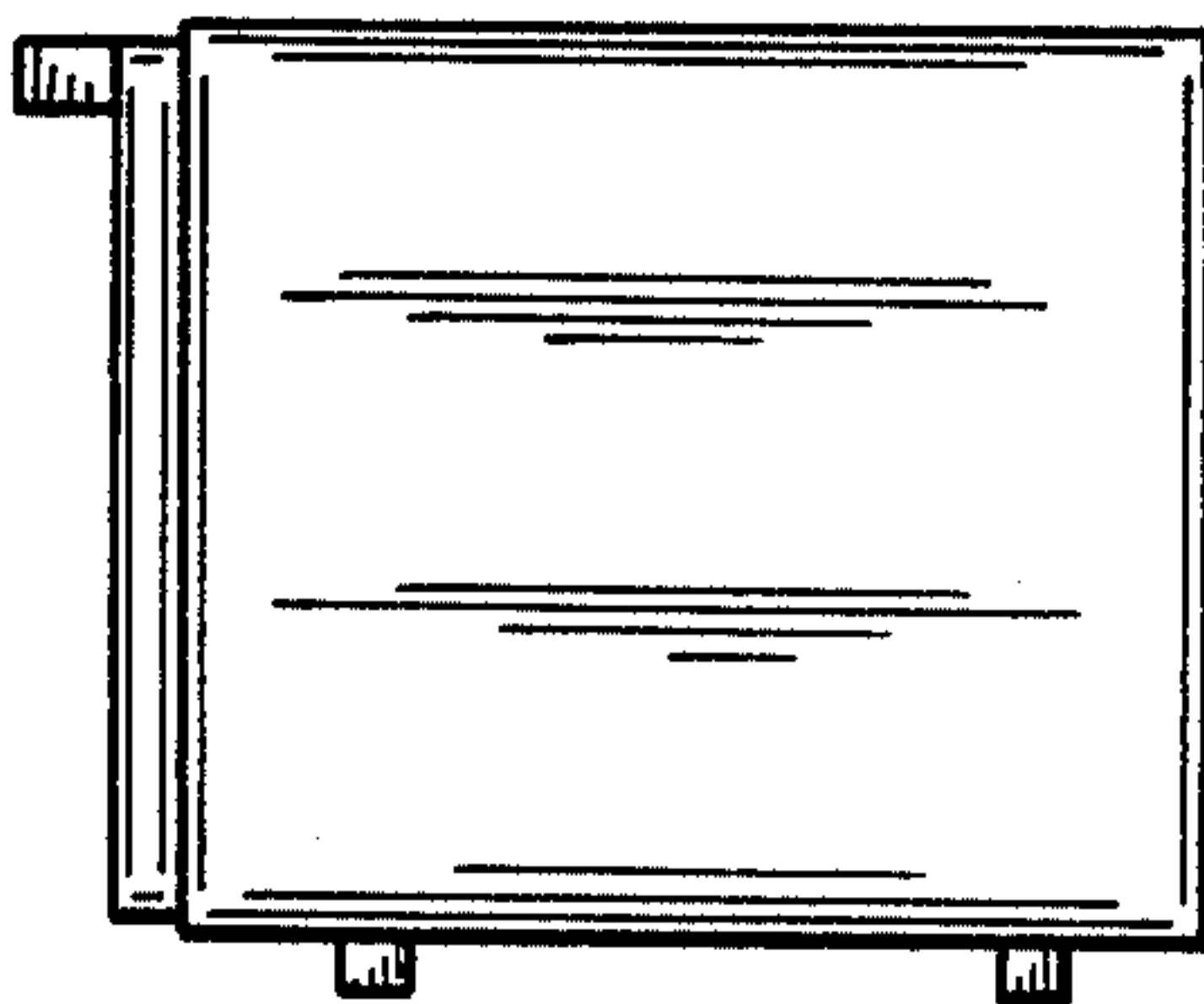
FIG_4



FIG_5



FIG_6



FIG_7