

[54] ESPRESSO MACHINE

[75] Inventors: Michael Knöchner, Offenbach am Main; Manfred Lang, Wuppertal, both of Fed. Rep. of Germany

[73] Assignee: Rowenta-Werke GmbH, Fed. Rep. of Germany

[\*\*] Term: 14 Years

[21] Appl. No.: 842,874

[22] Filed: Mar. 12, 1986

[30] Foreign Application Priority Data

Sep. 12, 1985 [DE] Fed. Rep. of Germany ... 5MR10625

[52] U.S. Cl. .... D7/309

[58] Field of Search ..... D7/300, 312, 305, 309, D7/310, 311; 99/293, 299, 302 R

[56] References Cited

U.S. PATENT DOCUMENTS

- D. 229,897 1/1974 Martin ..... D7/309
- D. 269,183 5/1983 van Asten ..... D7/309
- 2,688,911 9/1954 Hochmayr ..... 99/302 R
- 4,632,024 12/1986 Cortese ..... D7/309 X

FOREIGN PATENT DOCUMENTS

786401 11/1957 United Kingdom ..... 99/302 R X

OTHER PUBLICATIONS

*Industrial Design*, Mar./Apr. 1985, p. 64, Andrew Stenholne's Espresso Machine (top right).

*Hamilton Beach Supplement to HFD*, Jul. 9, 1979, Section two, p. 1, bottom right/Espresso Maker.

Primary Examiner—Winifred E. Herrmann

[57] CLAIM

The ornamental design for an espresso machine, as shown and described.

DESCRIPTION

FIG. 1 is a front perspective view of an espresso machine showing our new design;

FIG. 2 is a rear perspective view thereof;

FIG. 3 is a right side elevational view thereof;

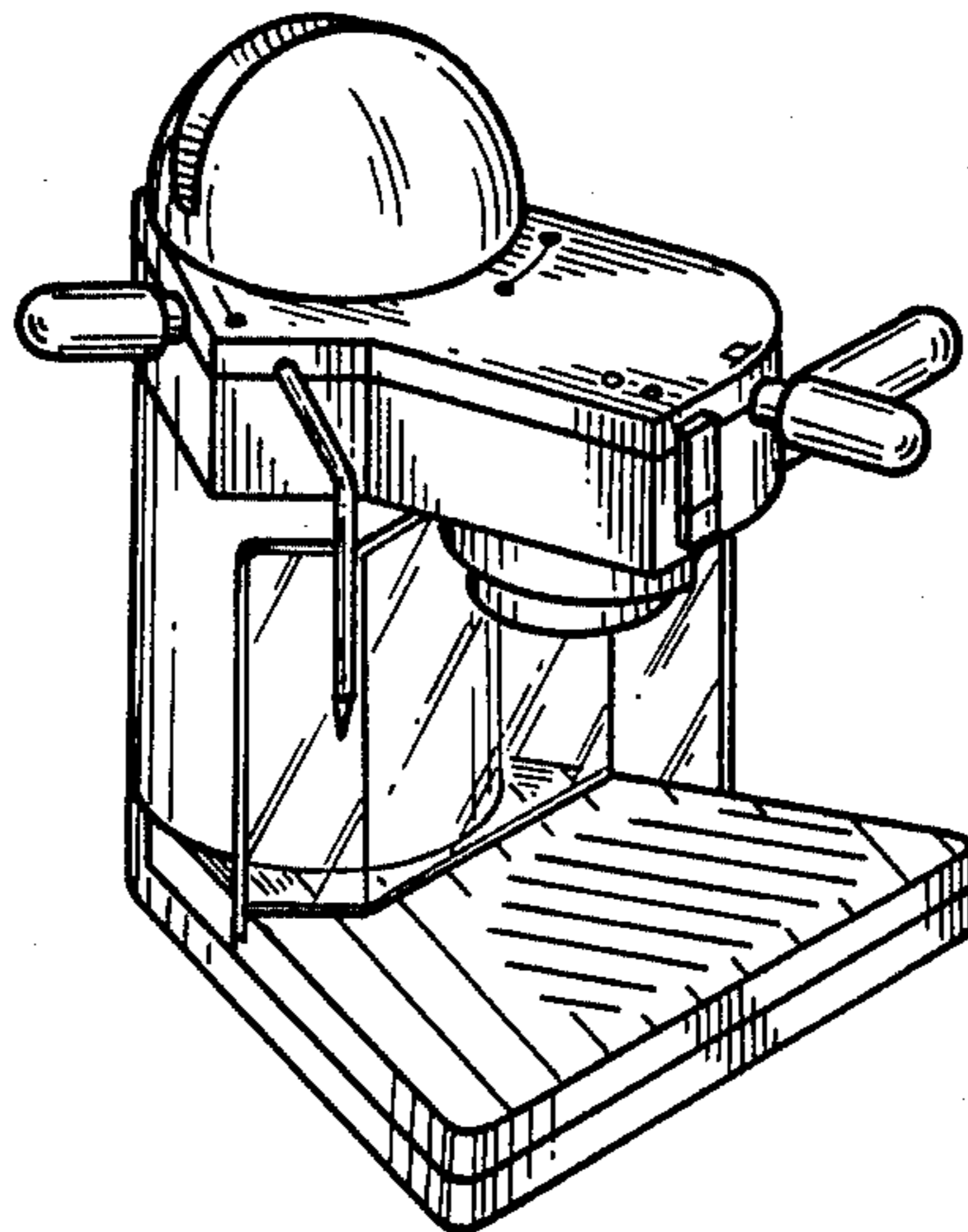
FIG. 4 is a left side elevational view thereof;

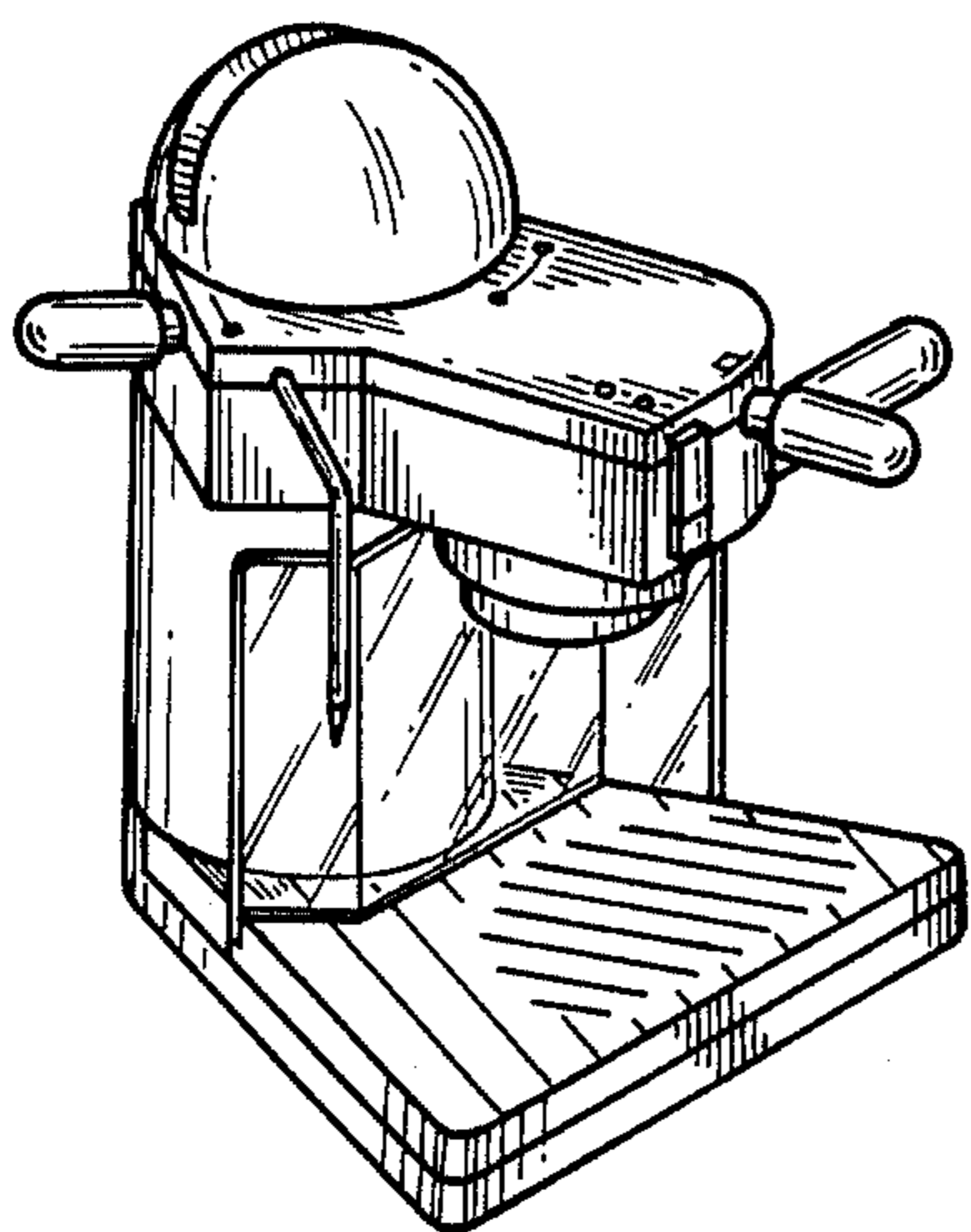
FIG. 5 is a top plan view thereof;

FIG. 6 is a front elevational view thereof;

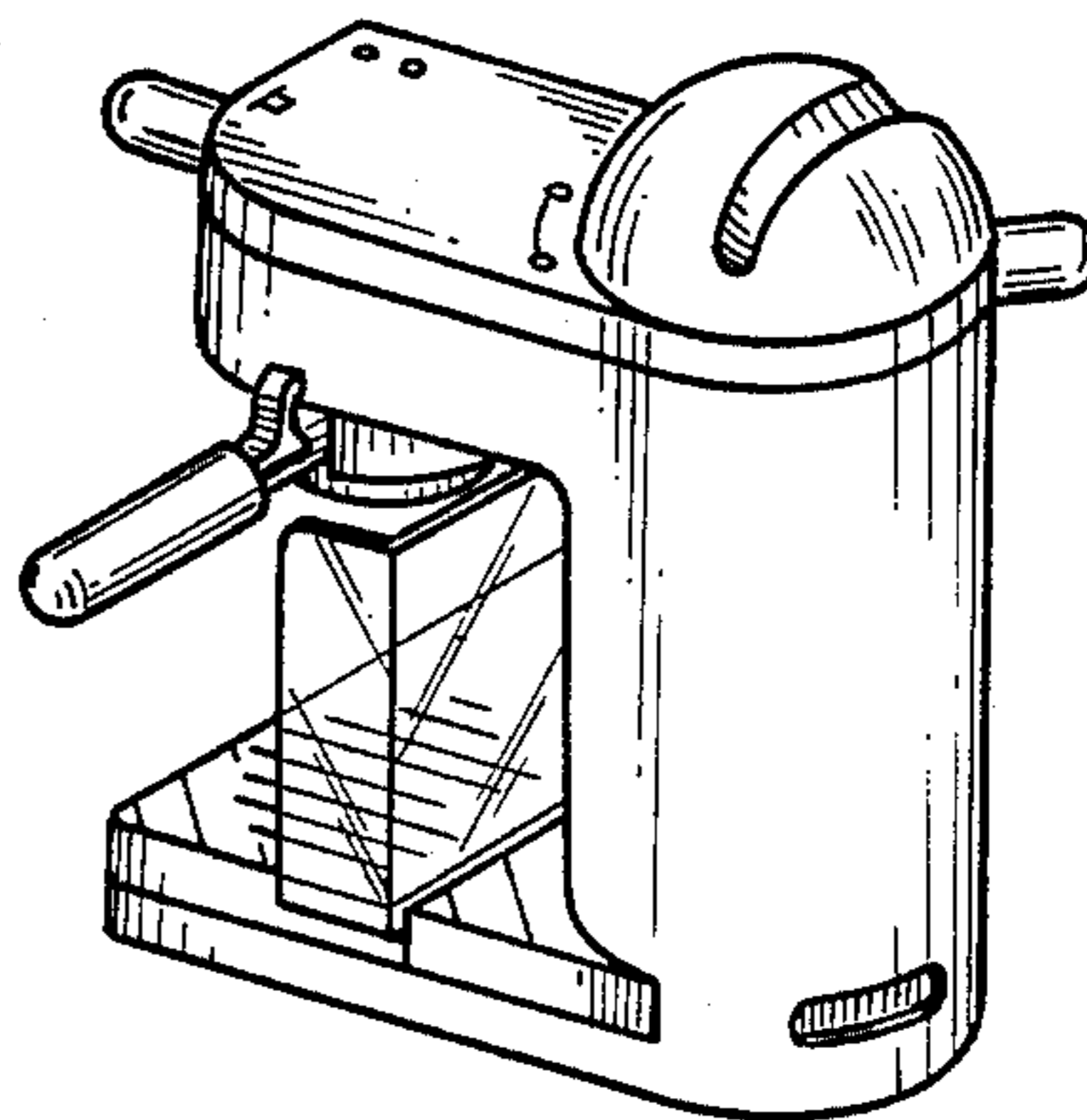
FIG. 7 is a rear elevational view thereof; and

FIG. 8 is a bottom plan view thereof.

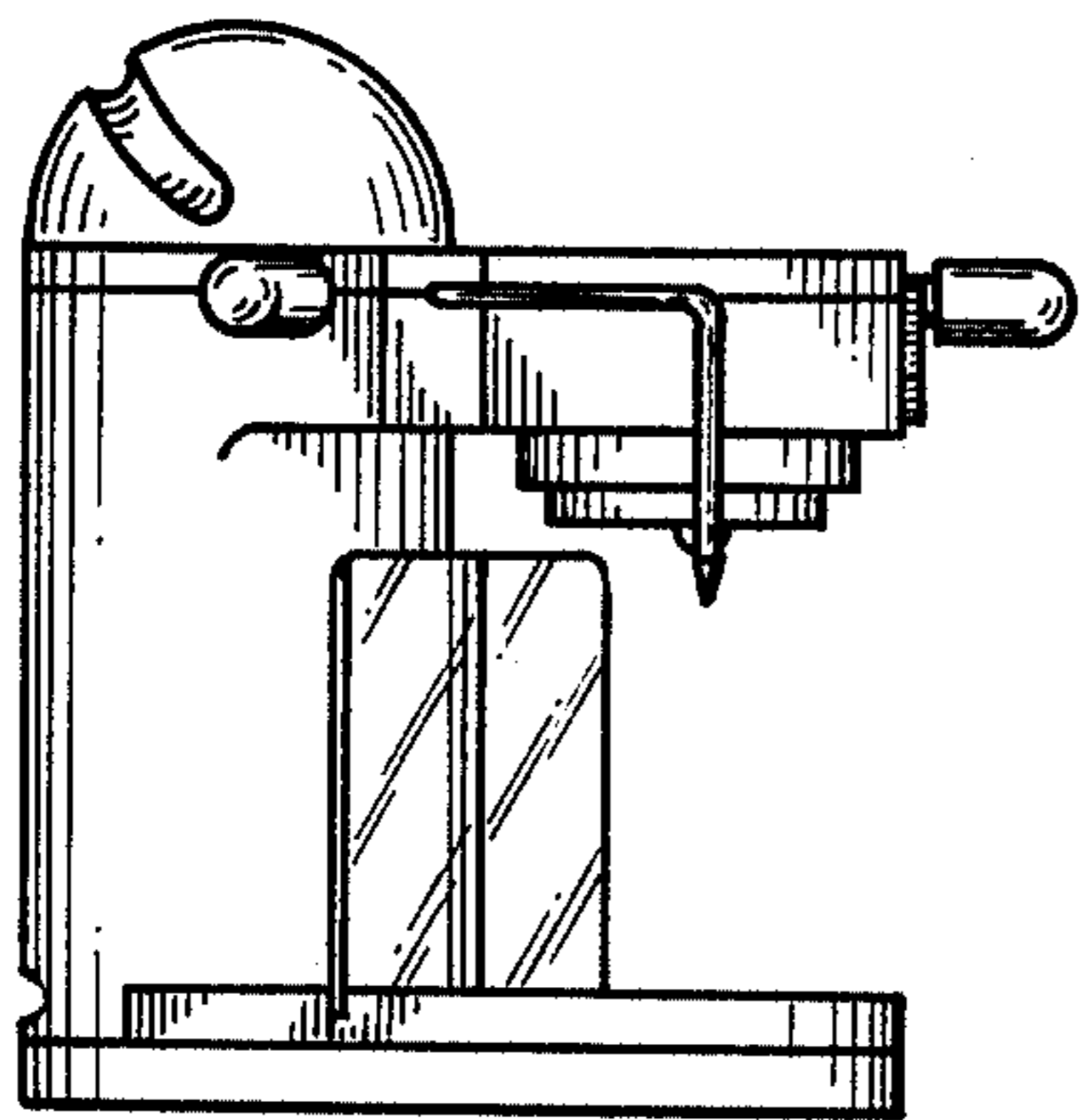




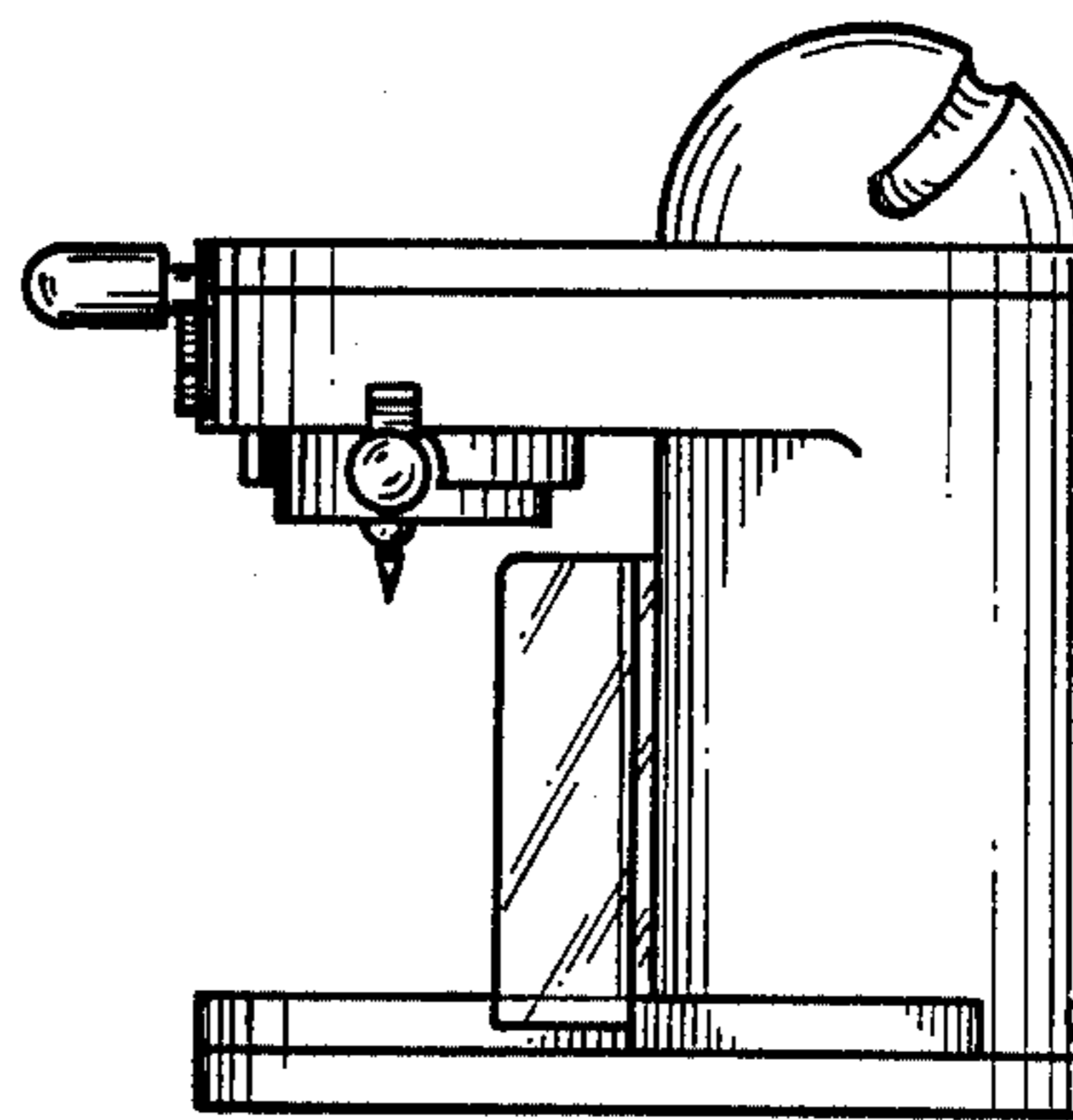
*Fig. 1*



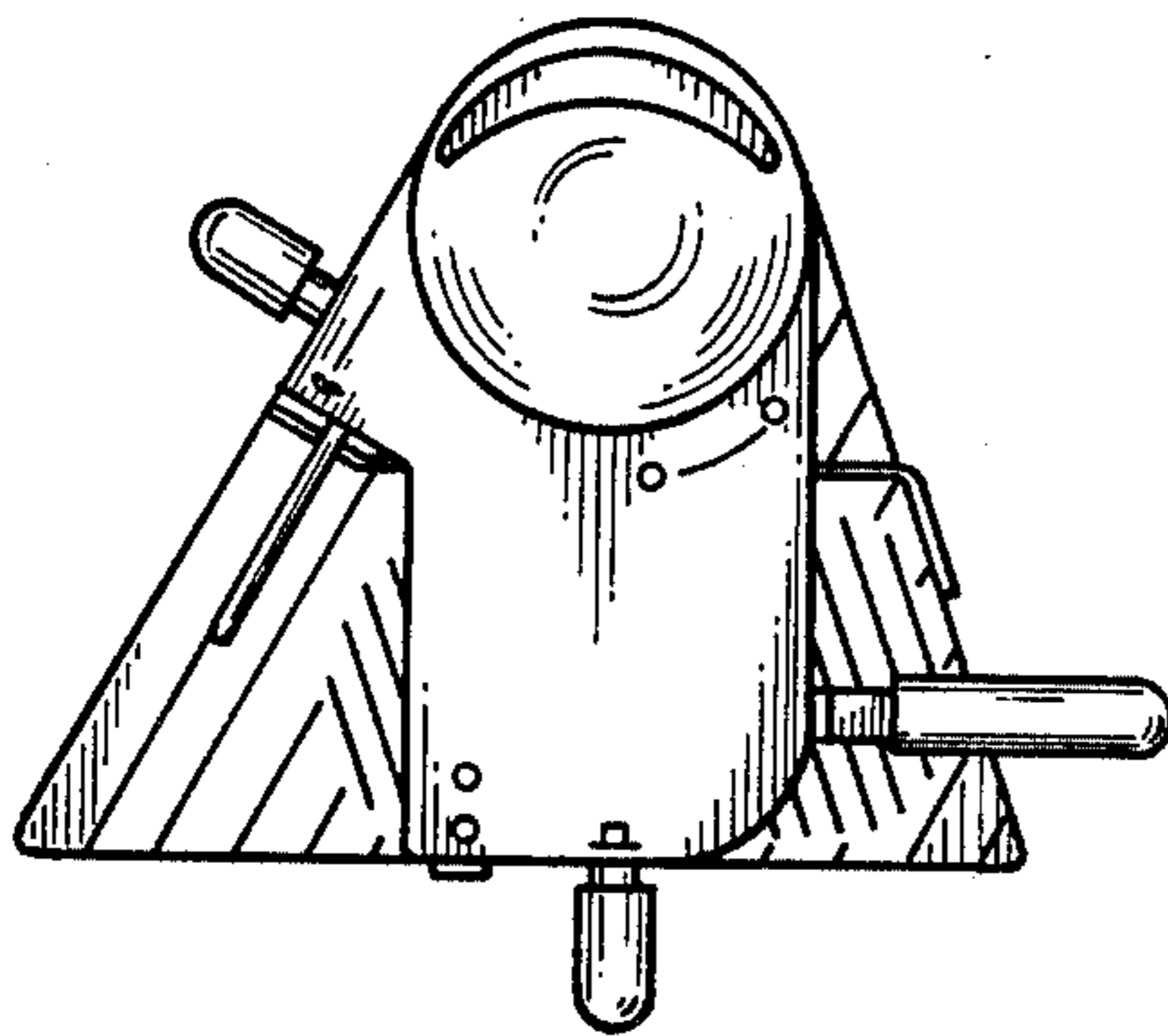
*Fig. 2*



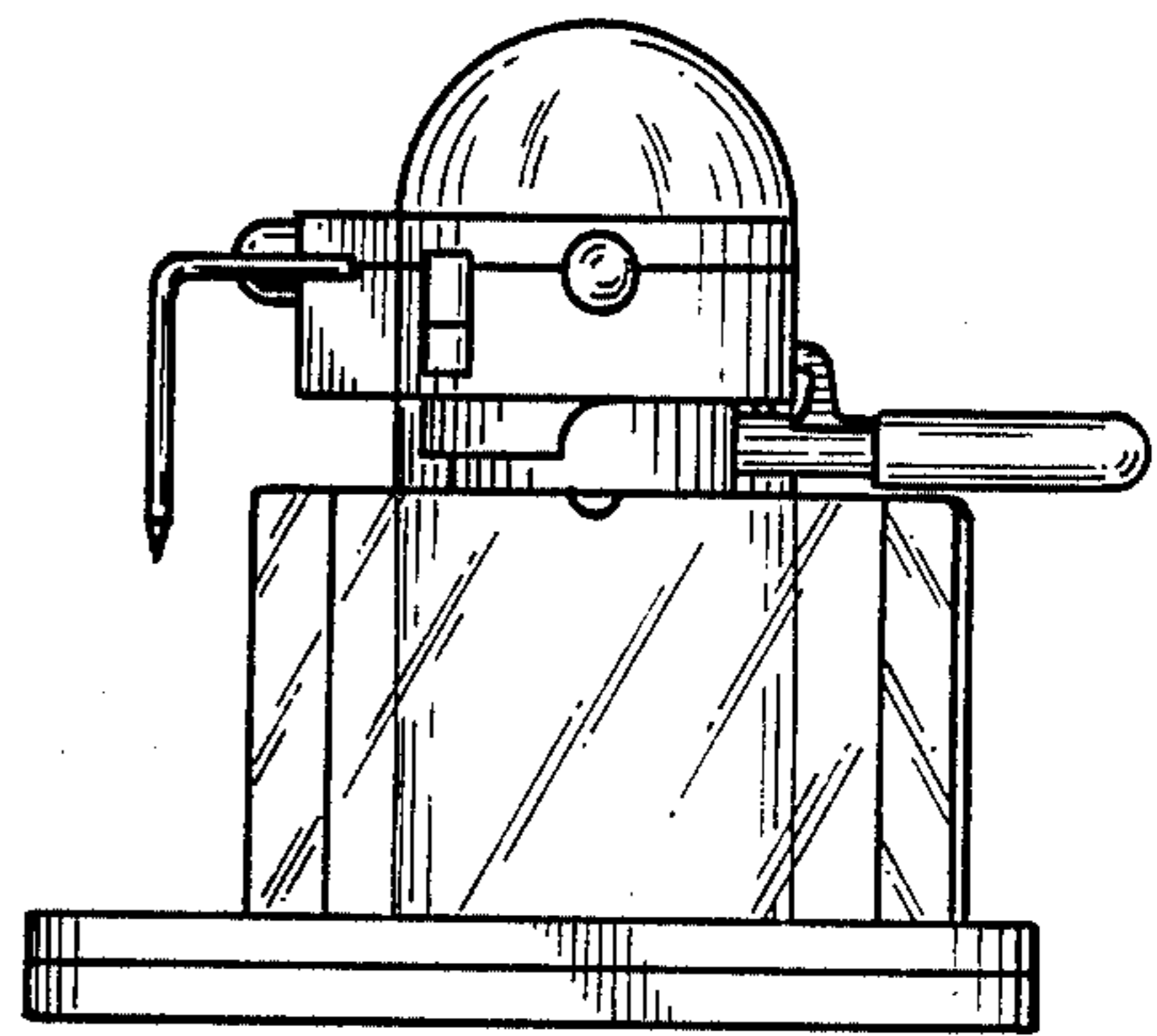
*Fig. 4*



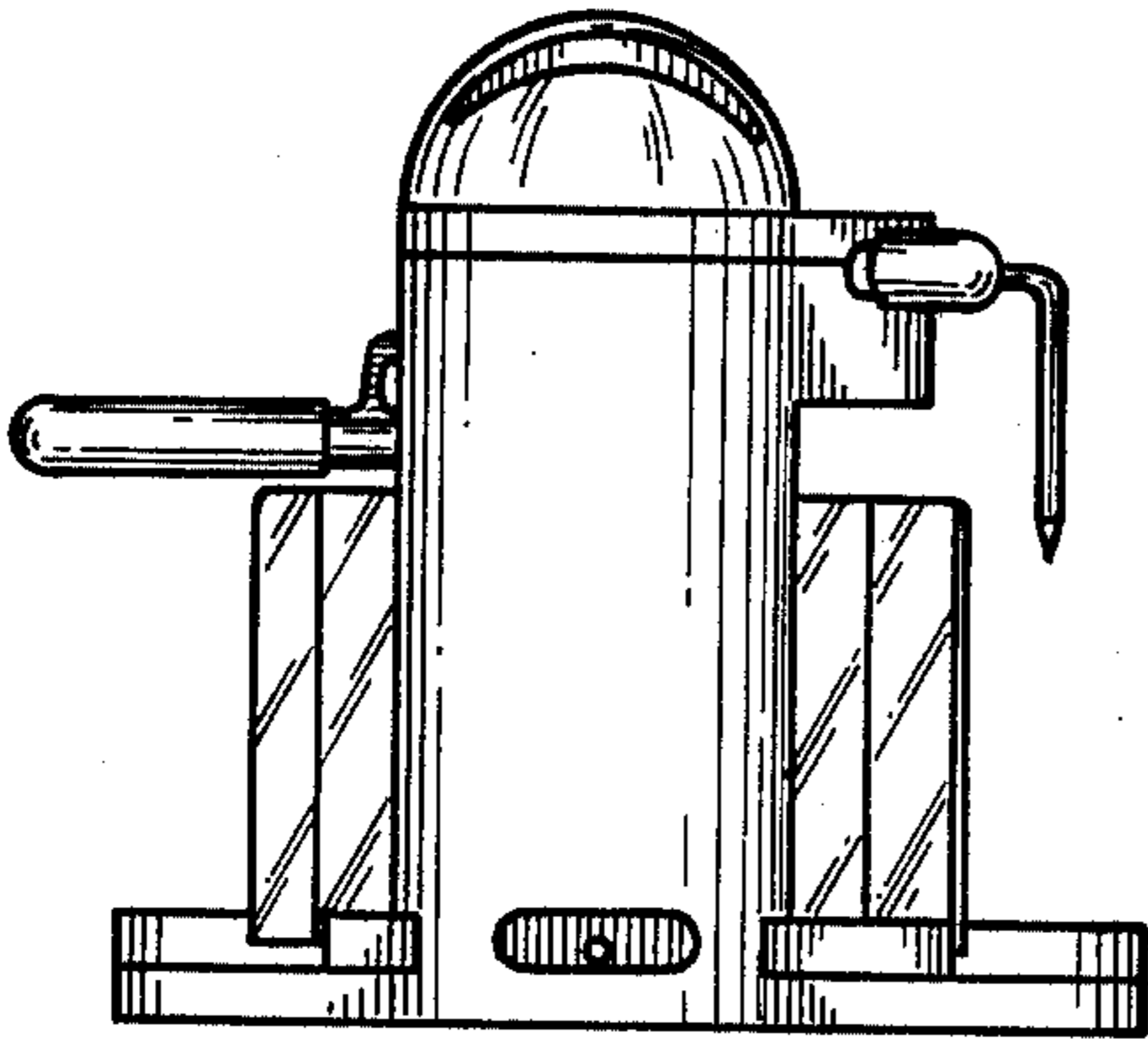
*Fig. 3*



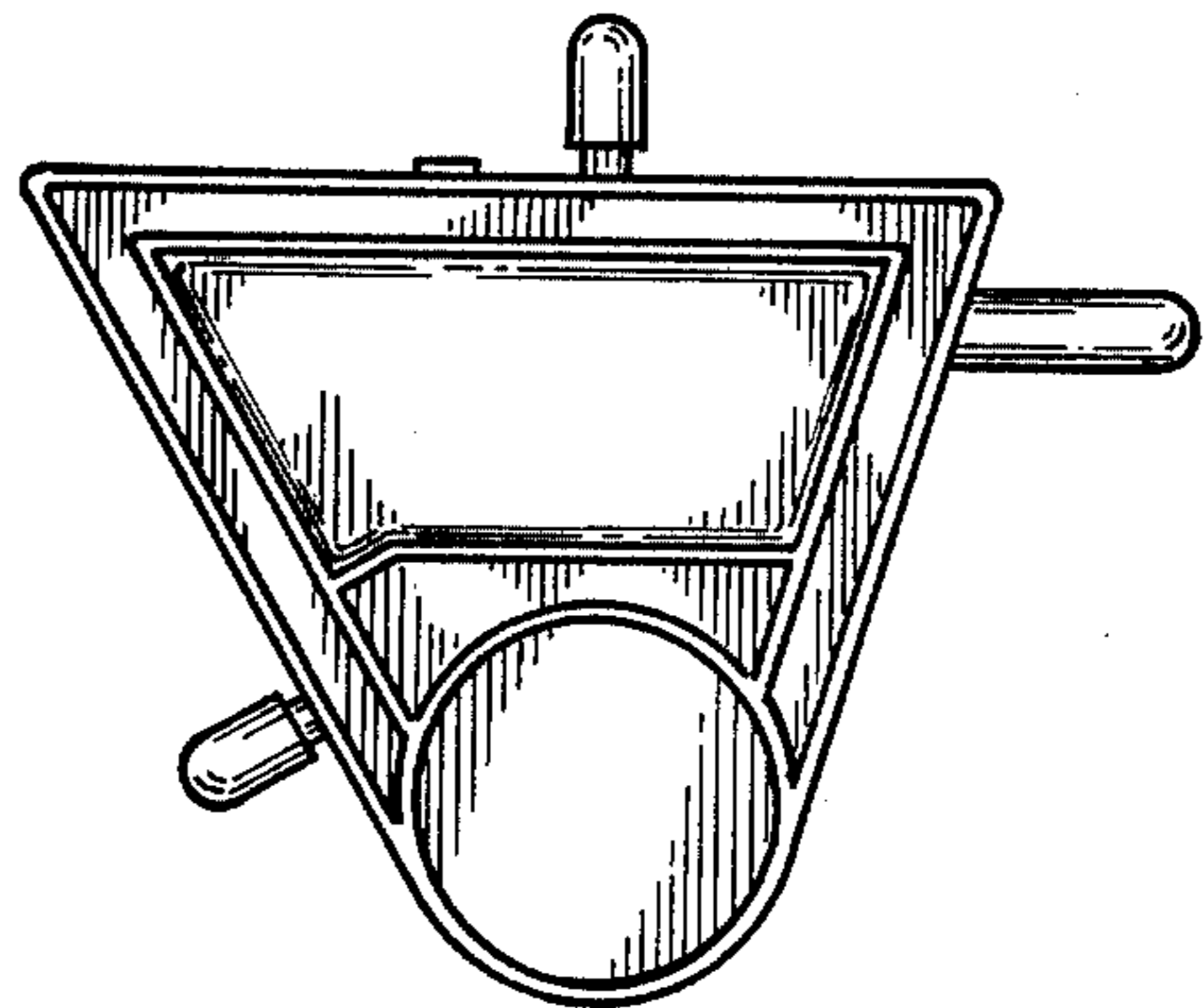
*Fig. 5*



*Fig. 6*



*Fig. 7*



*Fig. 8*