

[54] WINE GLASS OR SIMILAR ARTICLE

[76] Inventor: Jean-Jacques Durand, LaBute, 62510, Arques, France

[\*\*] Term: 14 Years

[21] Appl. No.: 817,243

[22] Filed: Jan. 8, 1986

[52] U.S. Cl. .... D7/11

[58] Field of Search ..... D7/6, 11-15, D7/7, 28, 22, 3; D11/146; D9/398

[56] References Cited

U.S. PATENT DOCUMENTS

D. 52,093	6/1918	Dunn	.....	D7/13
D. 103,430	3/1937	Leppke	.....	D7/11
D. 211,811	7/1968	Seibel	.....	D7/13

OTHER PUBLICATIONS

*Schoner Wohnen*, Aug., 1981, p. 64SW, bottom r. Goblet, "Helena"-Orrefors Crystal.

*Monongah Glass Co.*, Apr. 1st, 1920-Catalog No. 6, p. 320, right middle item#10317, "Mayonnaise".

*Alco Glassware Company*, Catalog p. 9, "Flare" bottom panel-Cocktail #096.

*Primary Examiner*-Winifred E. Herrmann

*Attorney, Agent, or Firm*-Kimmel, Crowell & Weaver

[57] CLAIM

The ornamental design for a wine glass or similar article, as shown and described.

DESCRIPTION

FIG. 1 is a side elevational view of a wine glass or similar article showing my new design;

FIG. 2 is a top plan view thereof.

FIG. 3 is a cross-sectional view thereof taken along line 3-3 of FIG. 2 wherein the flat panels that would be visible through the bowl portion have been omitted for purposes of clarity; and

FIG. 4 is a bottom plan view thereof.

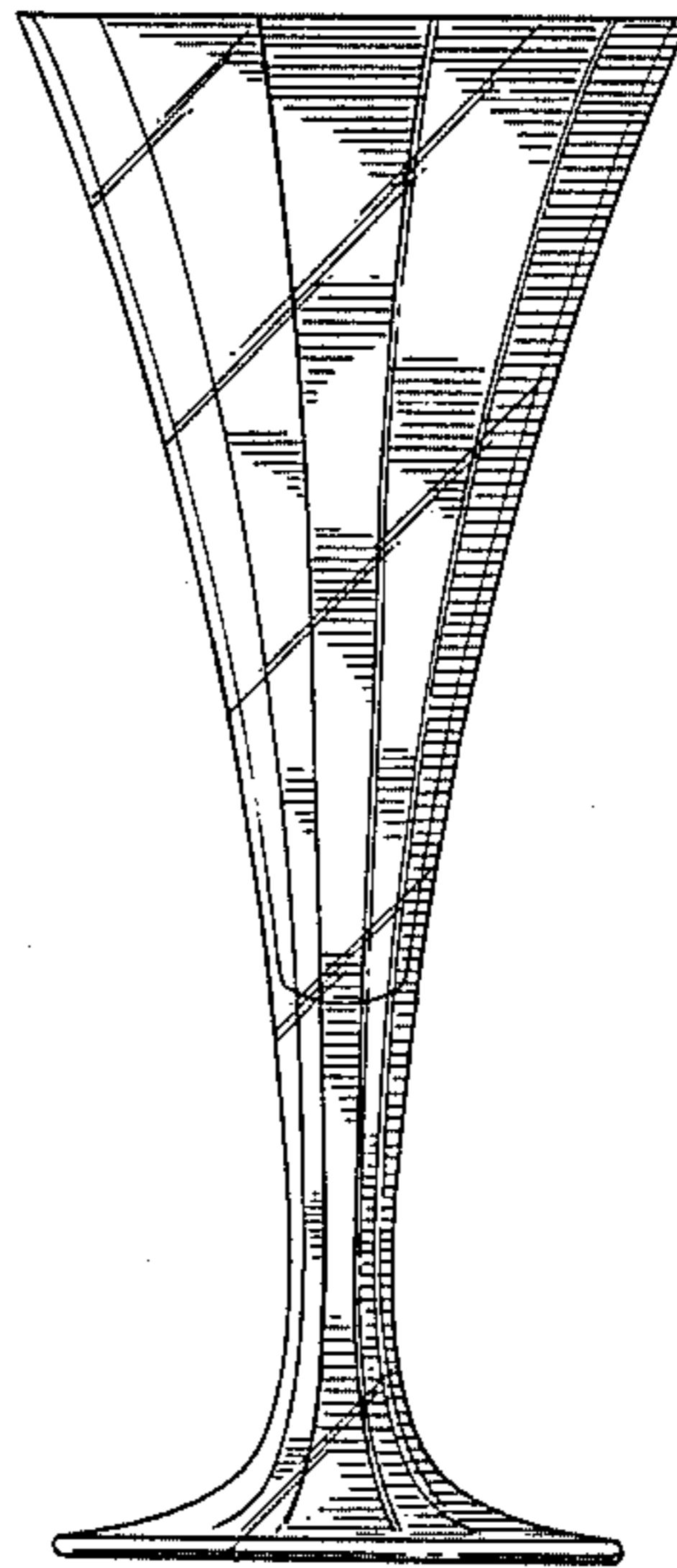


FIG. 1.

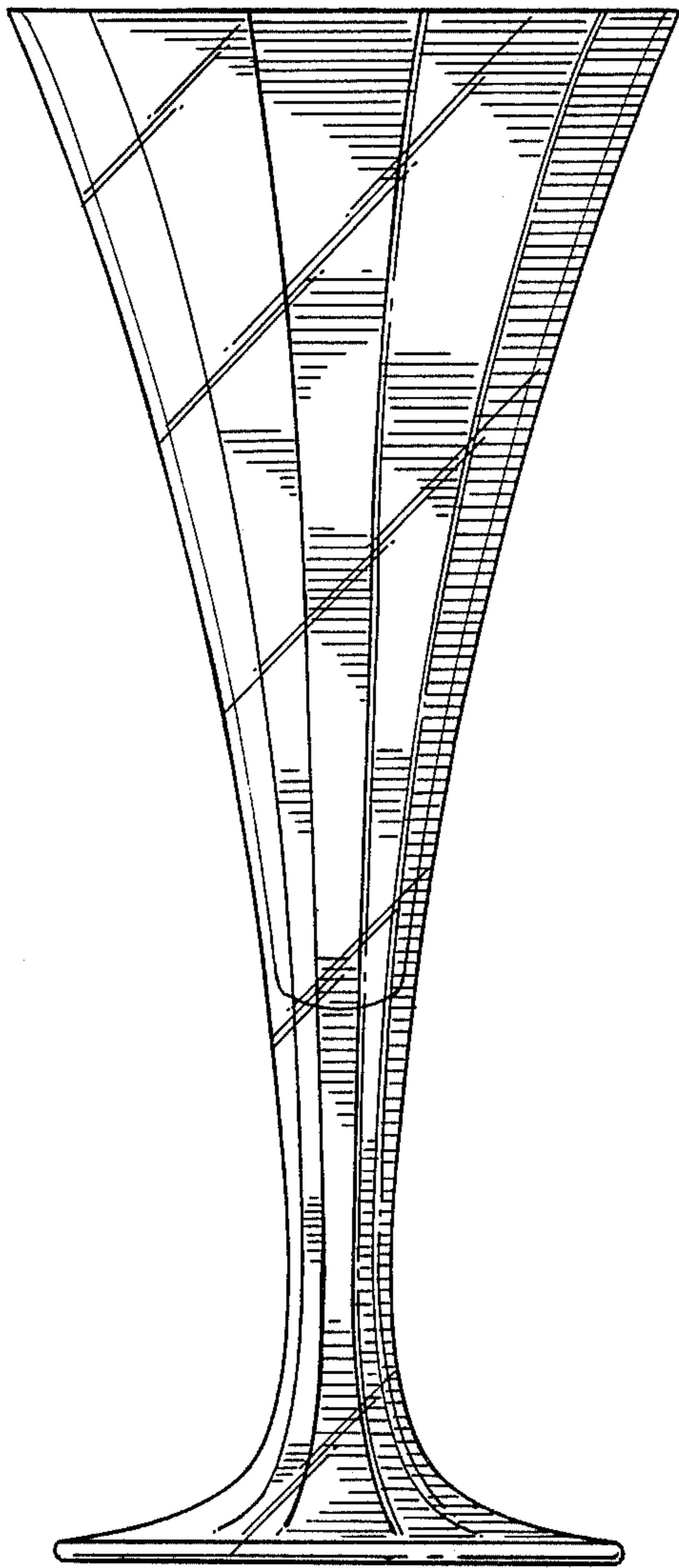


FIG. 3.

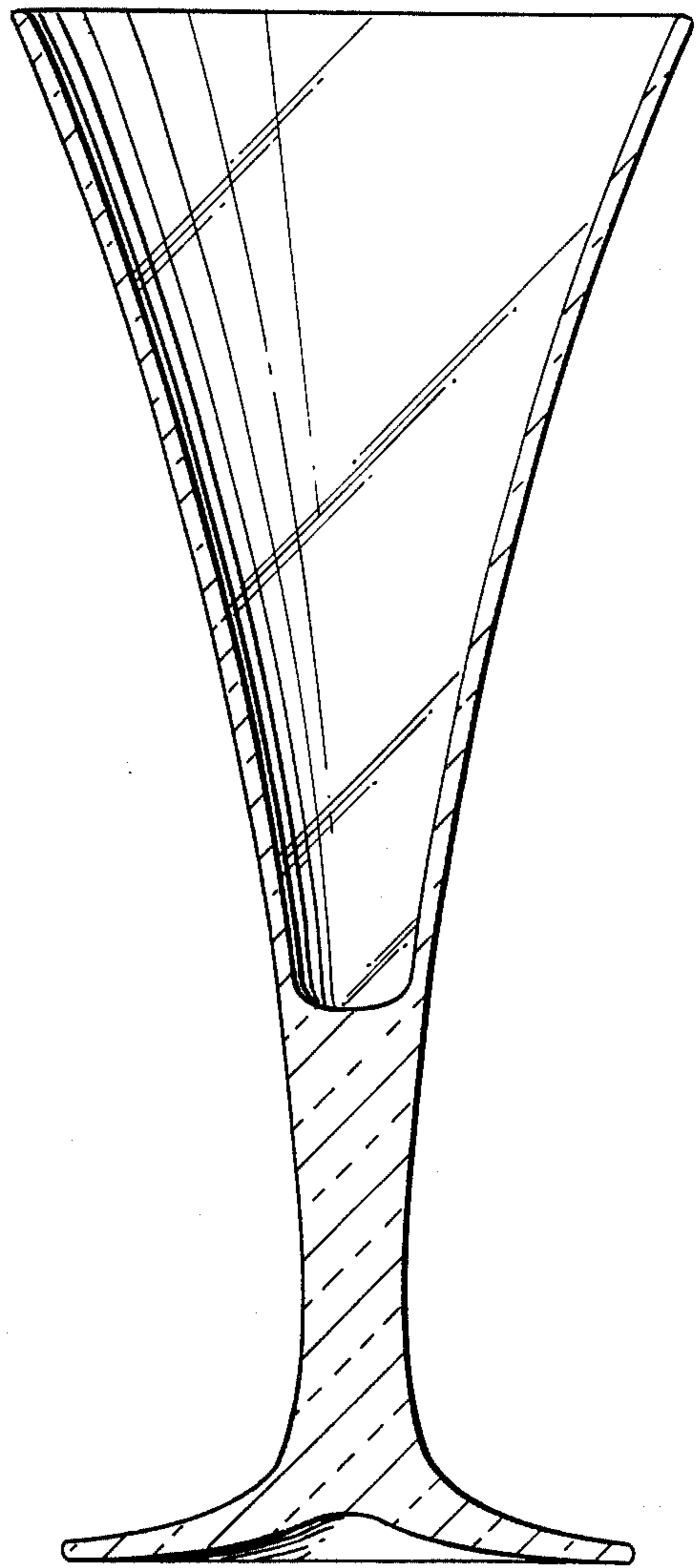


FIG. 2.

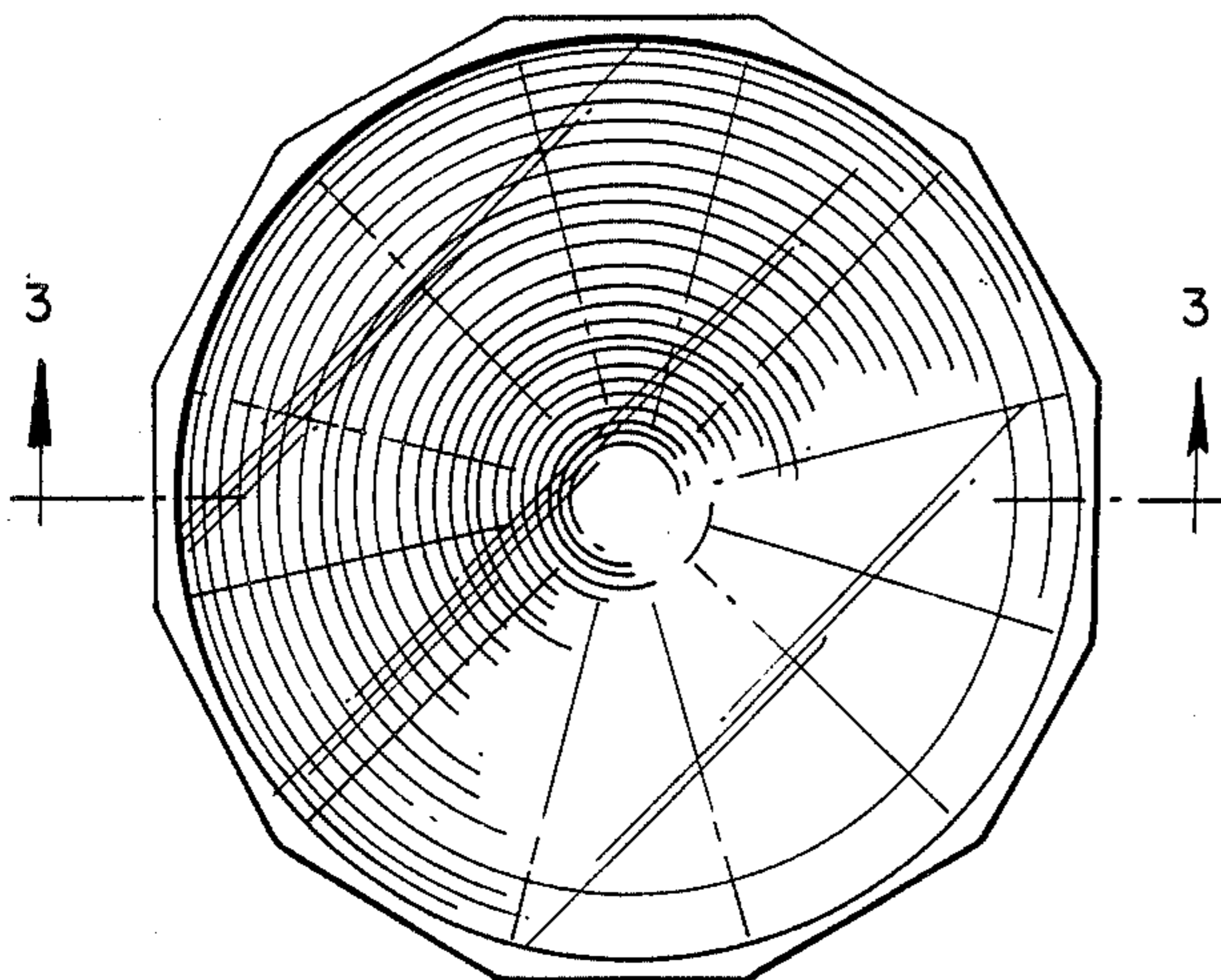


FIG. 4.

