

United States Patent [19]
Grosfillex

[11] **Patent Number: Des. 299,292**

[45] **Date of Patent: ** Jan. 10, 1989**

[54] **ADJUSTABLE ARMCHAIR**

[75] **Inventor: Raymond Grosfillex, Oyonnax, France**

[73] **Assignee: Grosfillex S.A.R.L., Oyonnax, France**

[**] **Term: 14 Years**

[21] **Appl. No.: 847,047**

[22] **Filed: Mar. 28, 1986**

[30] **Foreign Application Priority Data**

Sep. 30, 1985 [FR] France 854546

[52] **U.S. Cl. D6/367; D6/370; D6/379; D6/380**

[58] **Field of Search D6/334, 367, 368, 370, D6/373, 379, 380; 297/16, 18, 27**

[56] **References Cited**

U.S. PATENT DOCUMENTS

D. 263,435 3/1982 Deconinck D6/368

D. 276,107 10/1984 Grosfillex D6/368
D. 284,913 8/1986 Deconinck D6/368

OTHER PUBLICATIONS

Domus catalog, Jan. 1981, p. 46, Chair top center.
Schoner Wohnen, May 1984, p. 280-B, Chair at left.

Primary Examiner—Bruce W. Dunkins
Attorney, Agent, or Firm—Nies, Webner, Kurz & Bergert

[57] **CLAIM**

The ornamental design for an adjustable armchair, as shown and described.

DESCRIPTION

FIG. 1 is a front perspective view of an adjustable armchair showing my design;

FIG. 2 is a side perspective view, the opposite side being a mirror image thereof;

FIG. 3 is a rear perspective view; and

FIG. 4 is a side perspective view showing the adjustable armchair in an alternate position.

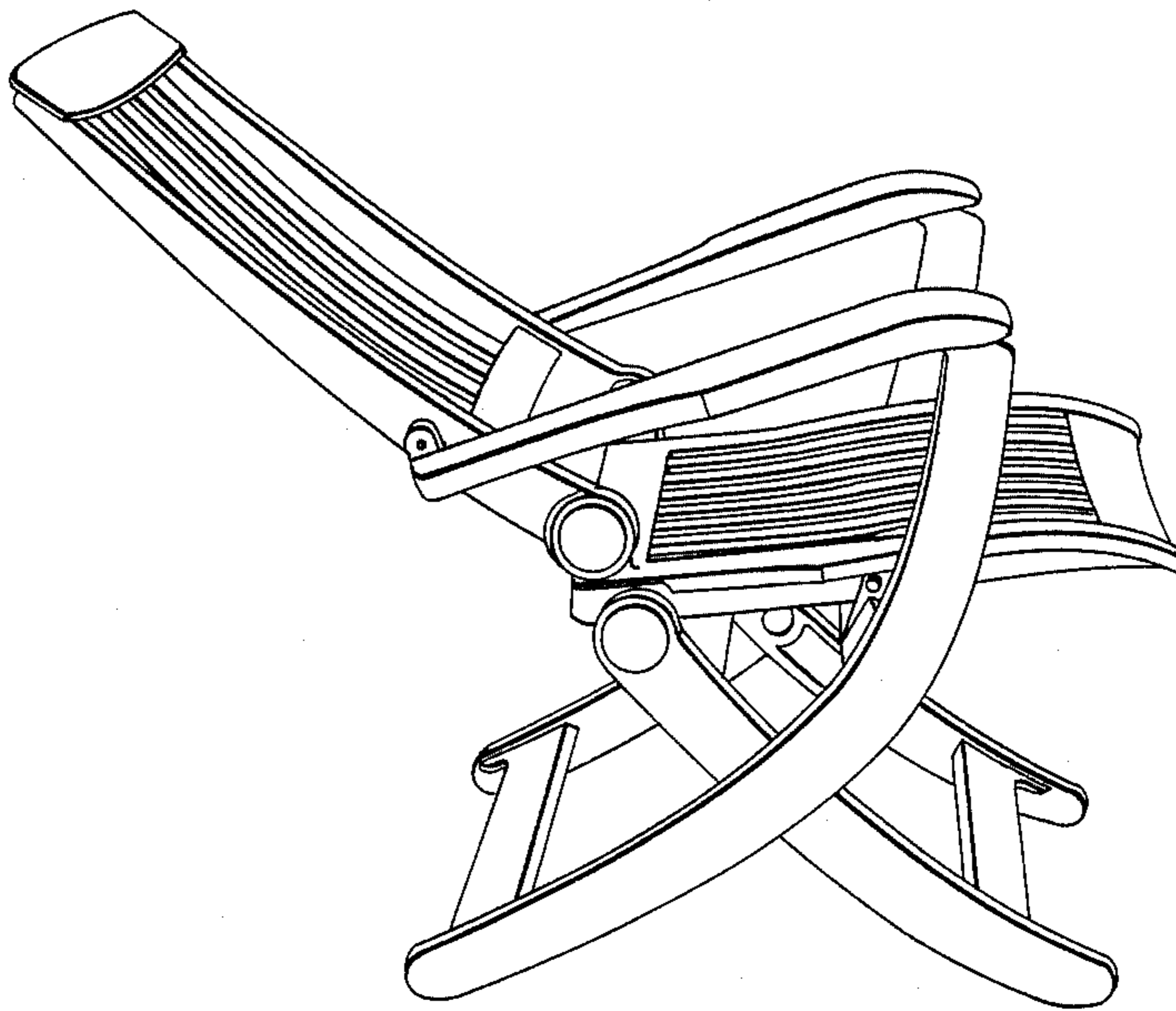


Fig. 3

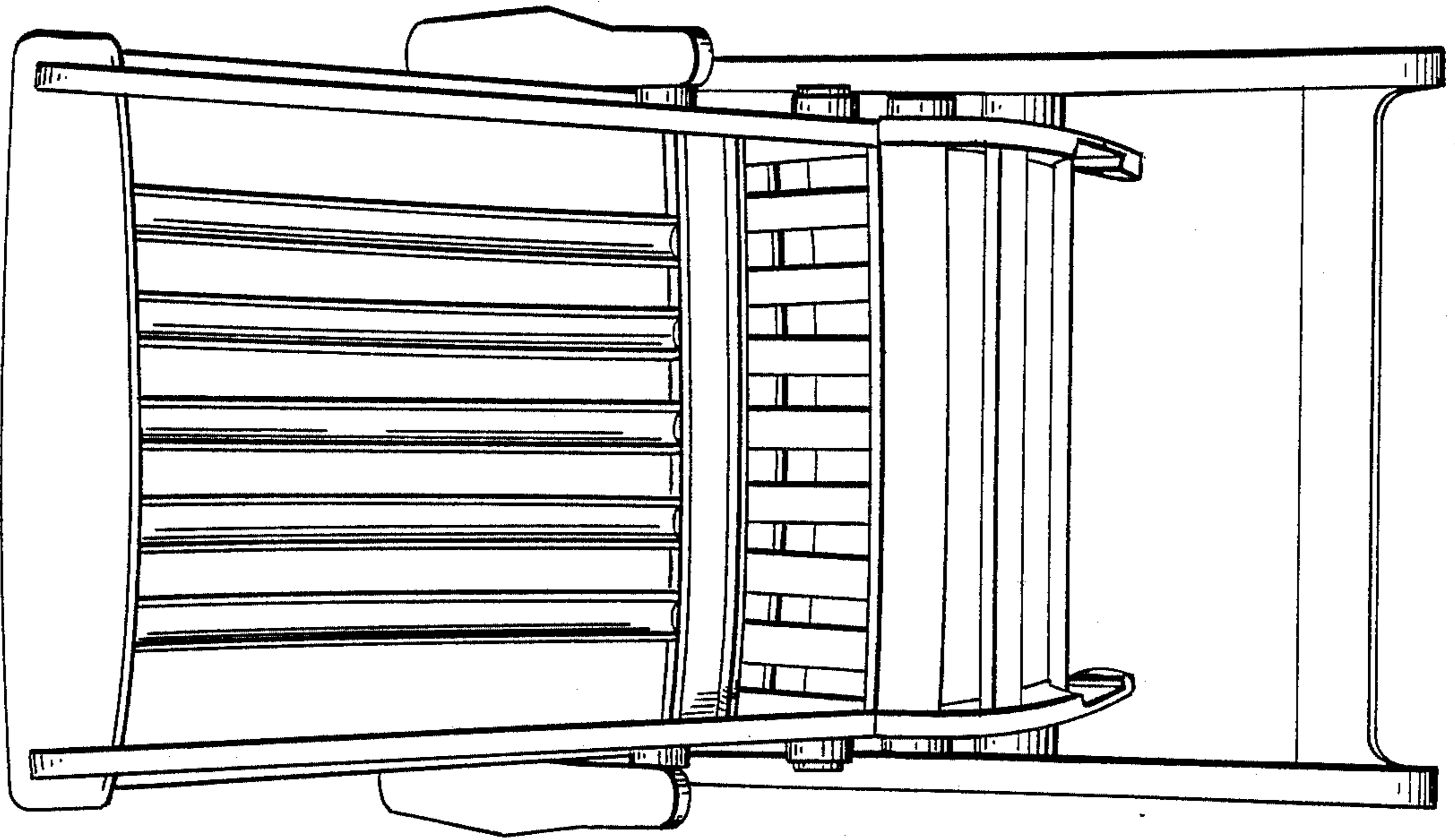


Fig. 1

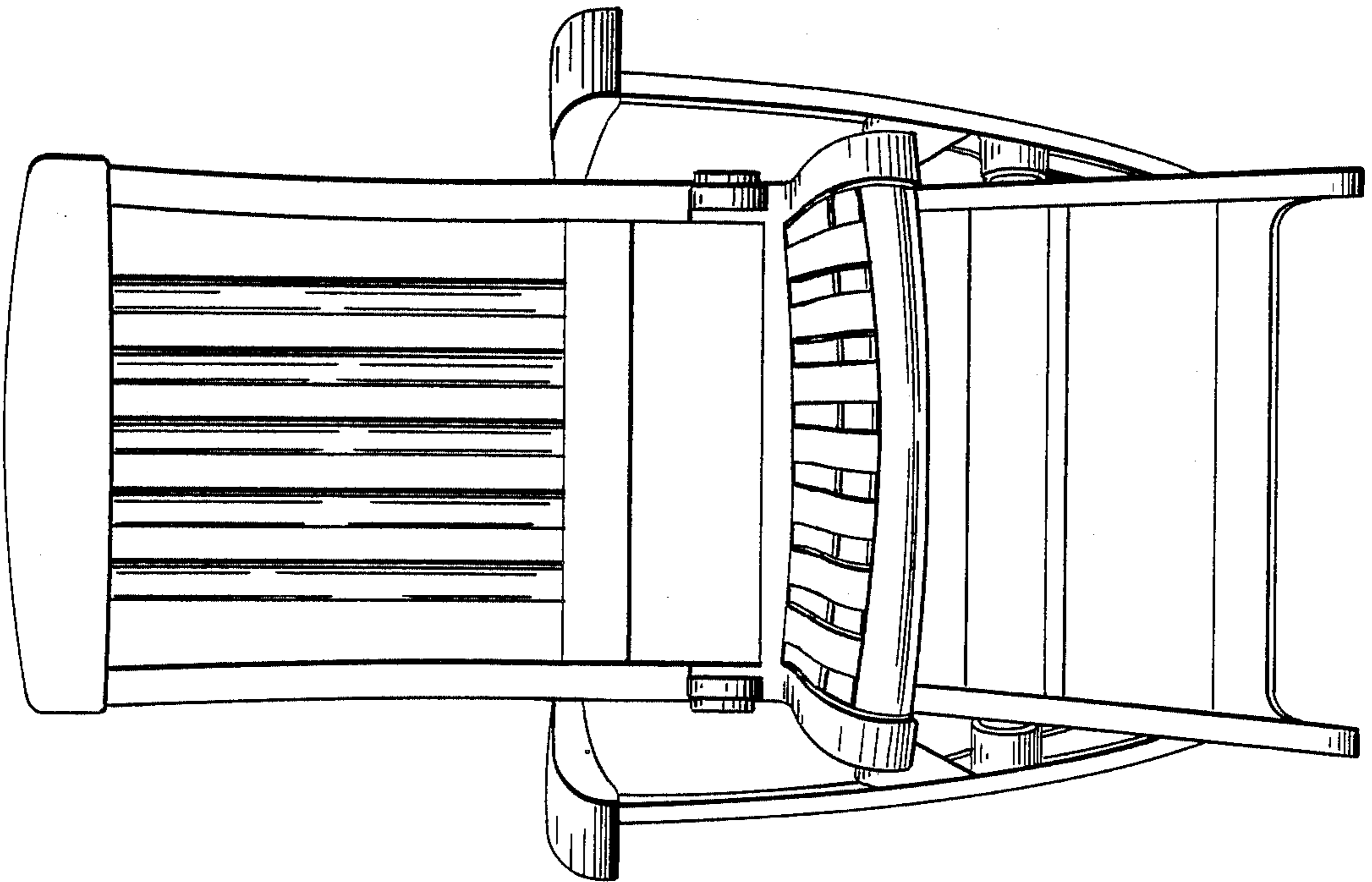


Fig. 2

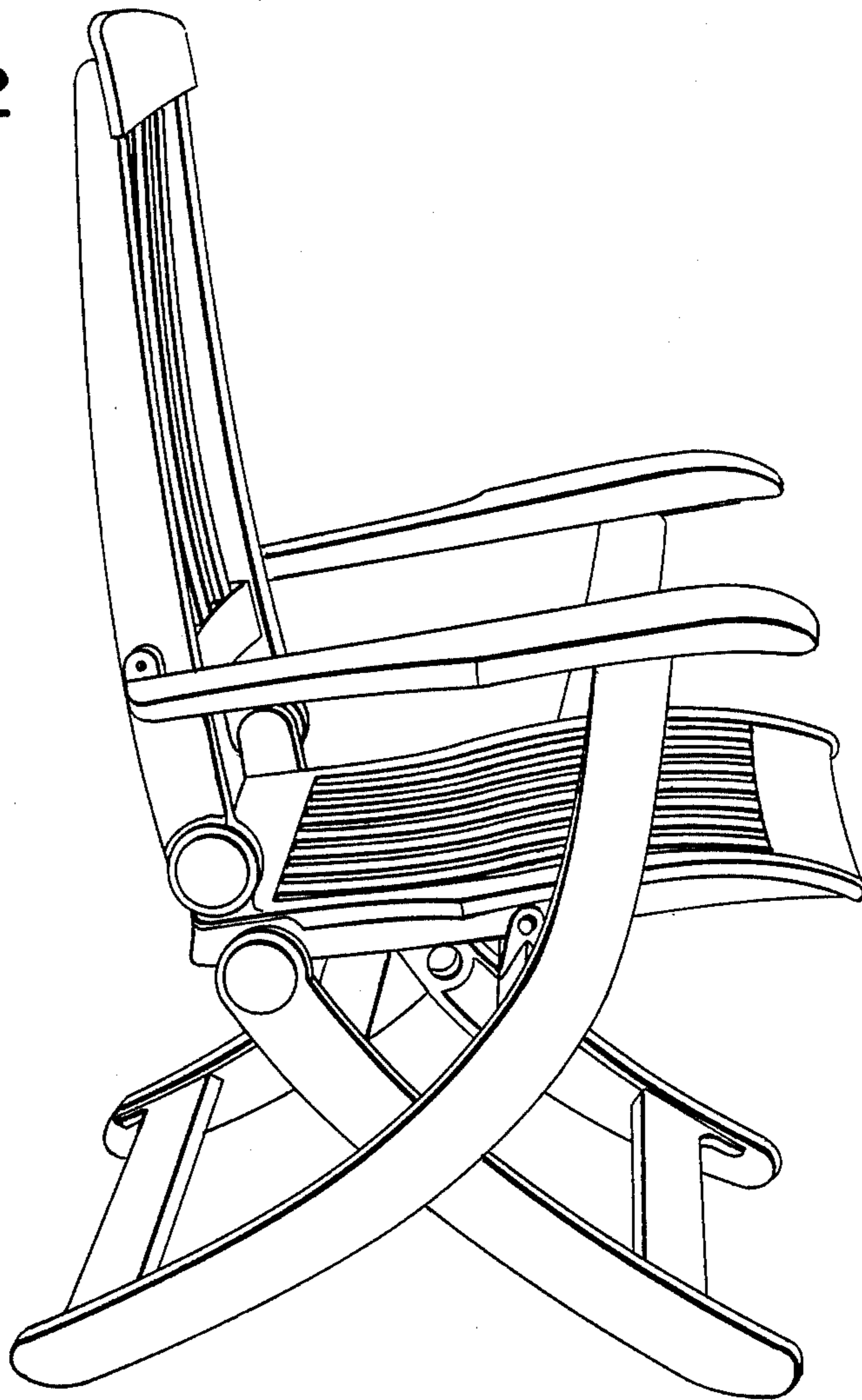


Fig. 4

