

[54] PUSH BROOM

[75] Inventor: Robert W. Machacek, Villa Park, Ill.

[73] Assignee: The Drackett Company, Cincinnati, Ohio

[**] Term: 14 Years

[21] Appl. No.: 857,566

[22] Filed: Apr. 22, 1986

[52] U.S. Cl. D4/134; D32/50

[58] Field of Search D4/130, 132, 135, 199; D32/40, 50-52; 15/159 R, 159 A, 160

[56] References Cited

U.S. PATENT DOCUMENTS

- D. 270,971 10/1983 Stevens, et al. D4/132
- D. 277,524 2/1985 Kubic D4/134
- D. 293,165 12/1987 Machacek D4/135
- 2,043,758 6/1936 Lay 15/159 R

FOREIGN PATENT DOCUMENTS

- 133755 9/1929 Switzerland 15/159

Primary Examiner—Wallace R. Burke
 Assistant Examiner—Lavone D. Tabor
 Attorney, Agent, or Firm—Gene Warzecha

[57] CLAIM

The ornamental design for a push broom, substantially as shown and described.

DESCRIPTION

FIG. 1 is a front perspective view of a push broom showing my new design.

FIG. 2 is an enlarged front elevational view thereof.

FIG. 3 is a right side elevational view thereof.

FIG. 4 is an enlarged top plan view thereof.

FIG. 5 is an enlarged bottom plan view thereof showing uniform bristle texture along the entire bottom working surface.

FIG. 6 is a perspective view of an alternative embodiment of my design wherein selected bristle rows are formed of bristles having different textures and density, those in the back of the broom being of finer texture and those in the front of the broom being of coarser texture.

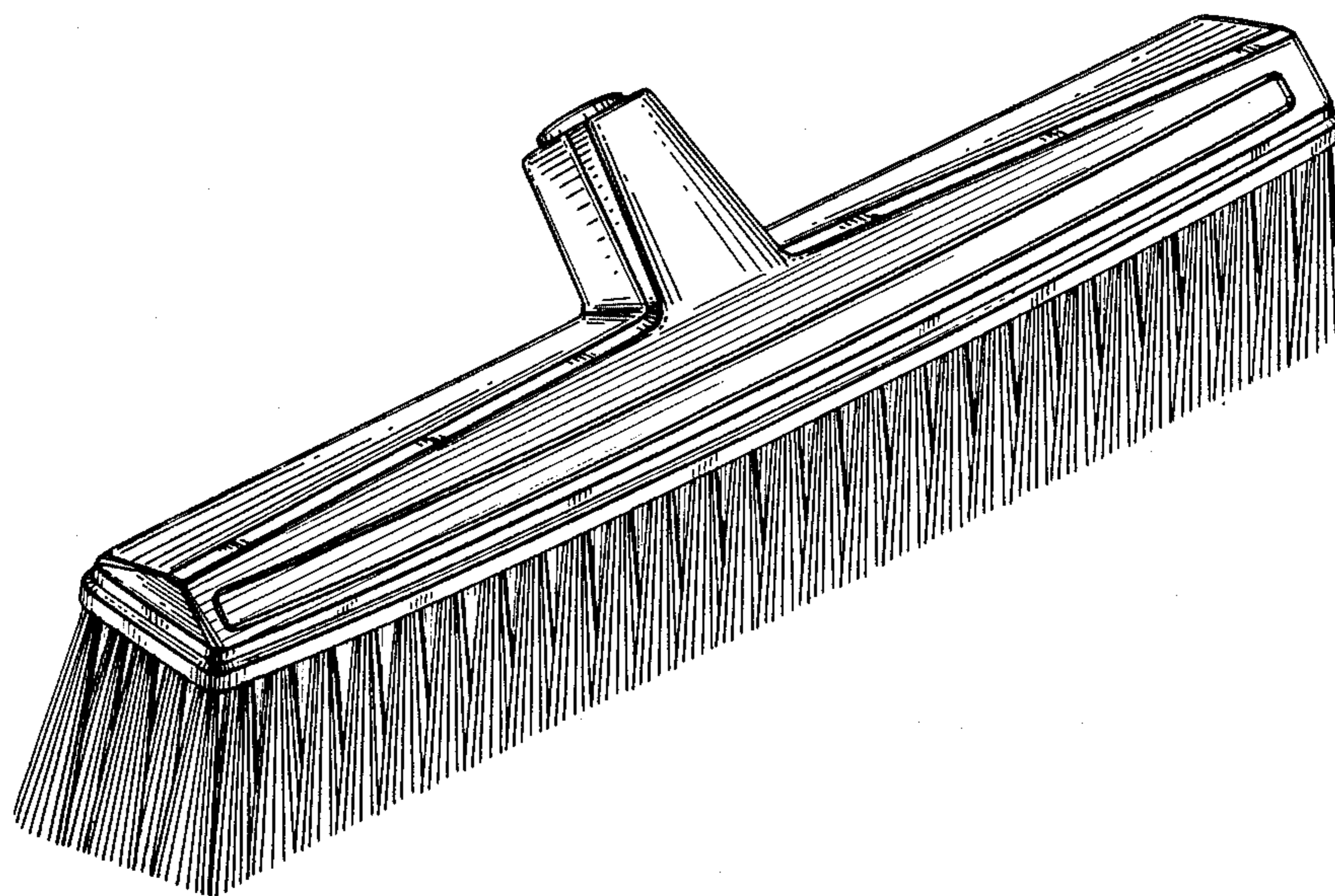
FIG. 7 is a right side elevational view of the alternative embodiment shown in FIG. 6.

FIG. 8 is an enlarged rear elevational view thereof.

FIG. 9 is a perspective view of yet another alternative embodiment of my design wherein selected rows of bristles are of differing textures and wherein selected row of bristles are longer than other rows of bristles.

FIG. 10 is a right side elevational view of the alternative embodiment shown in FIG. 9.

FIG. 11 is an enlarged rear elevational view thereof.



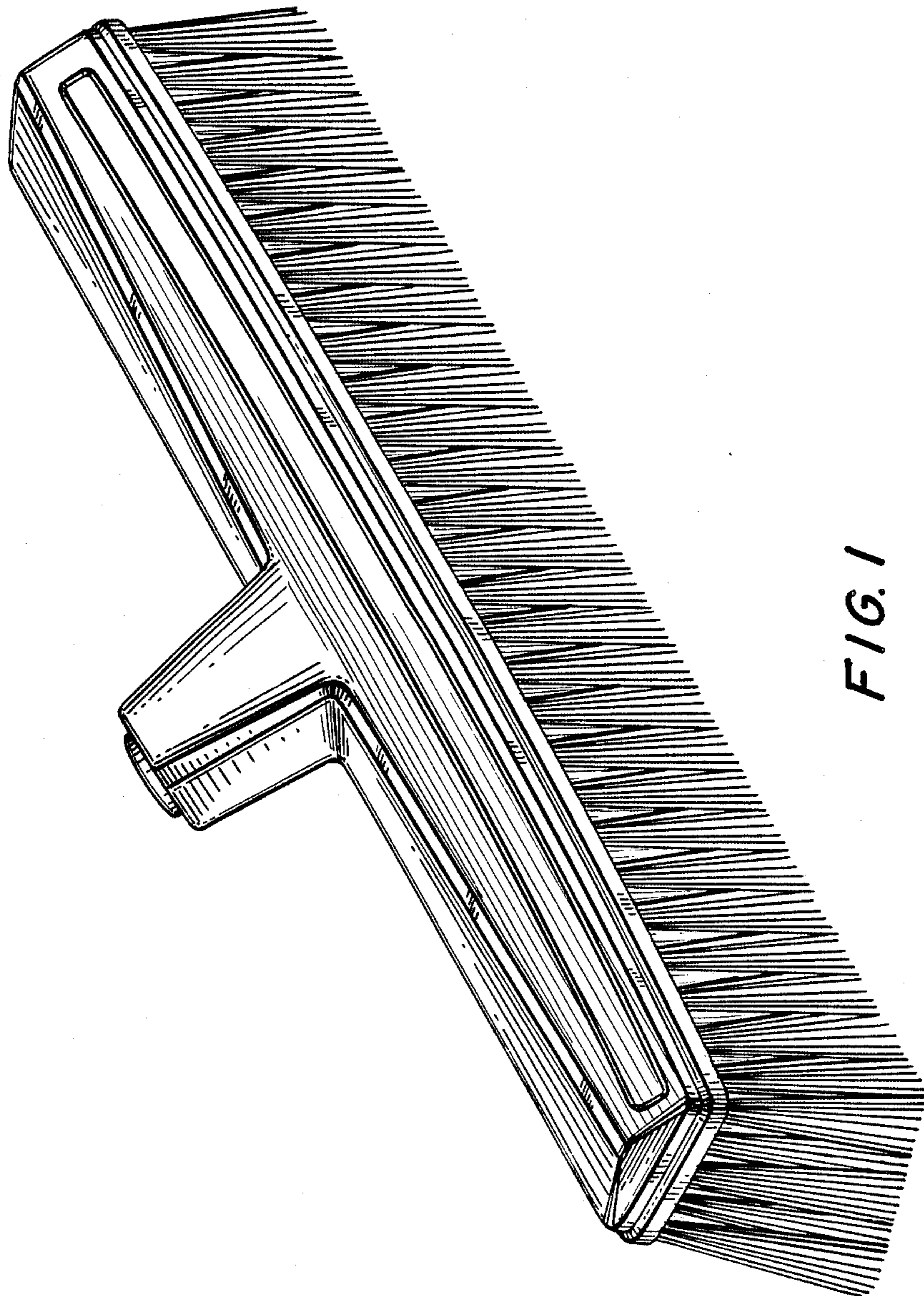


FIG. 1

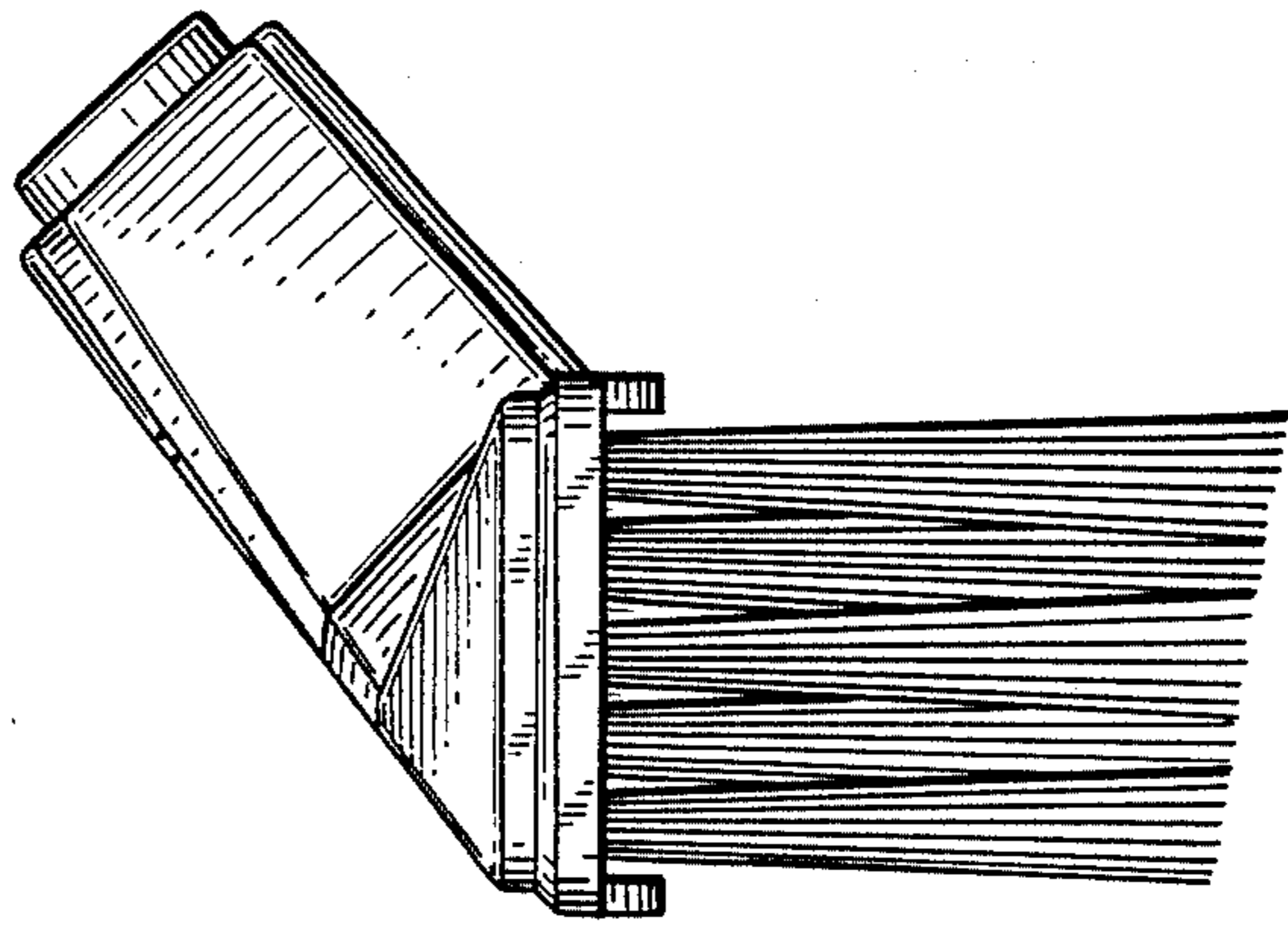


FIG. 3

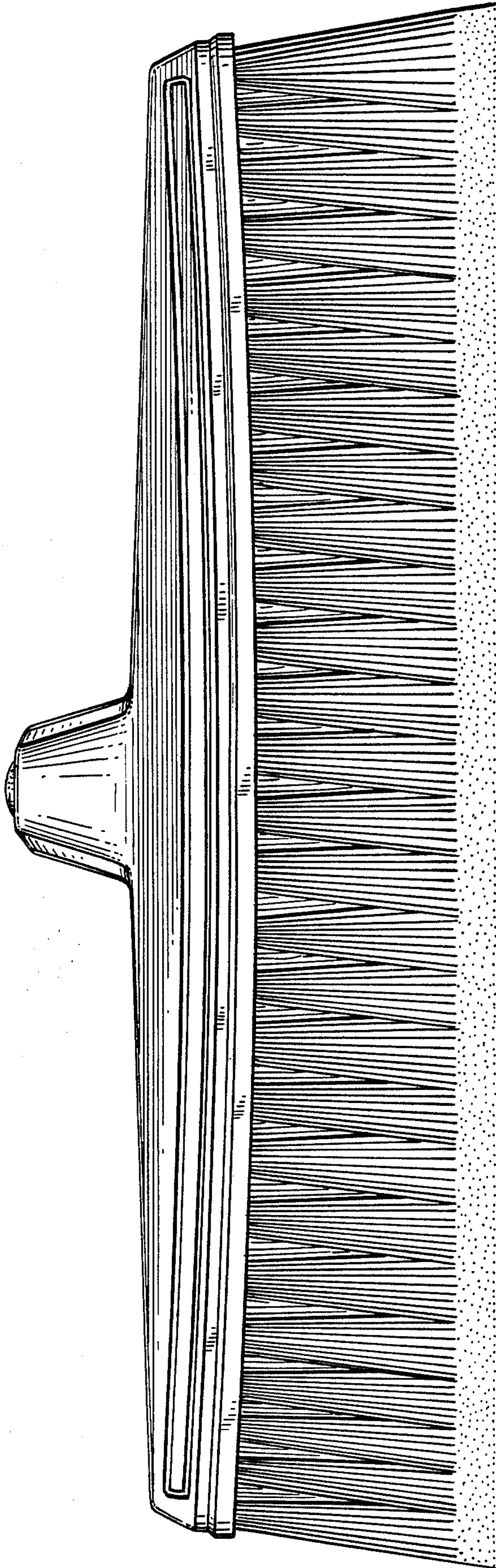


FIG. 2

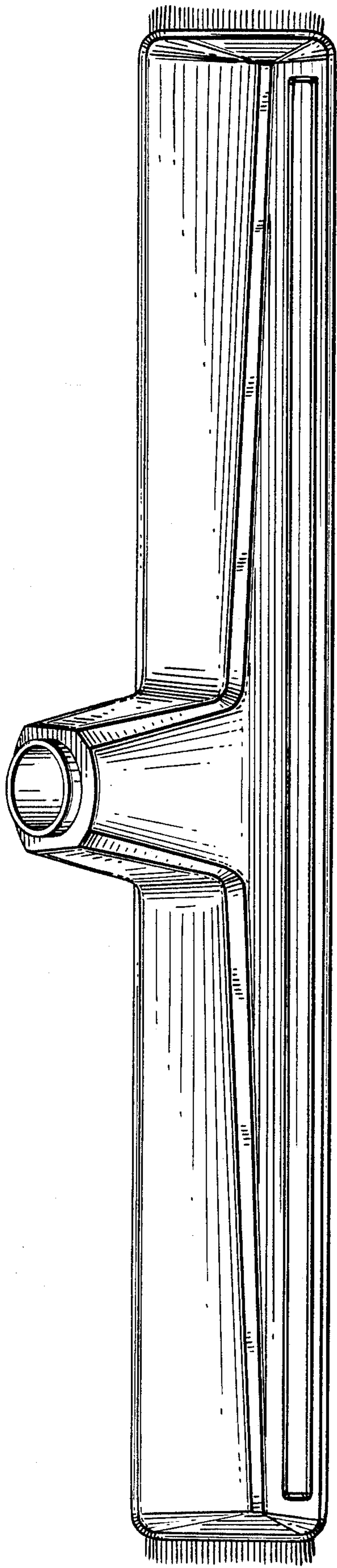


FIG. 4

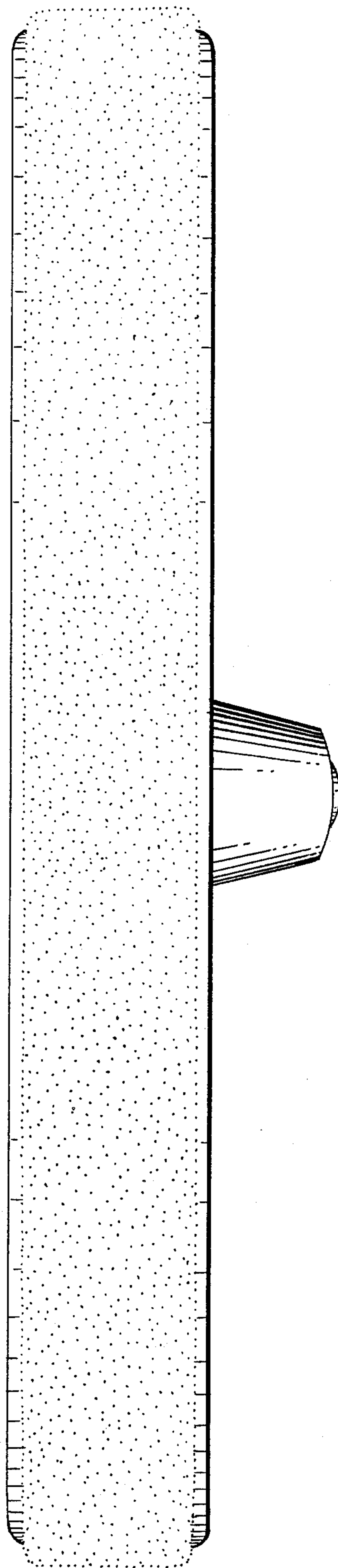


FIG. 5

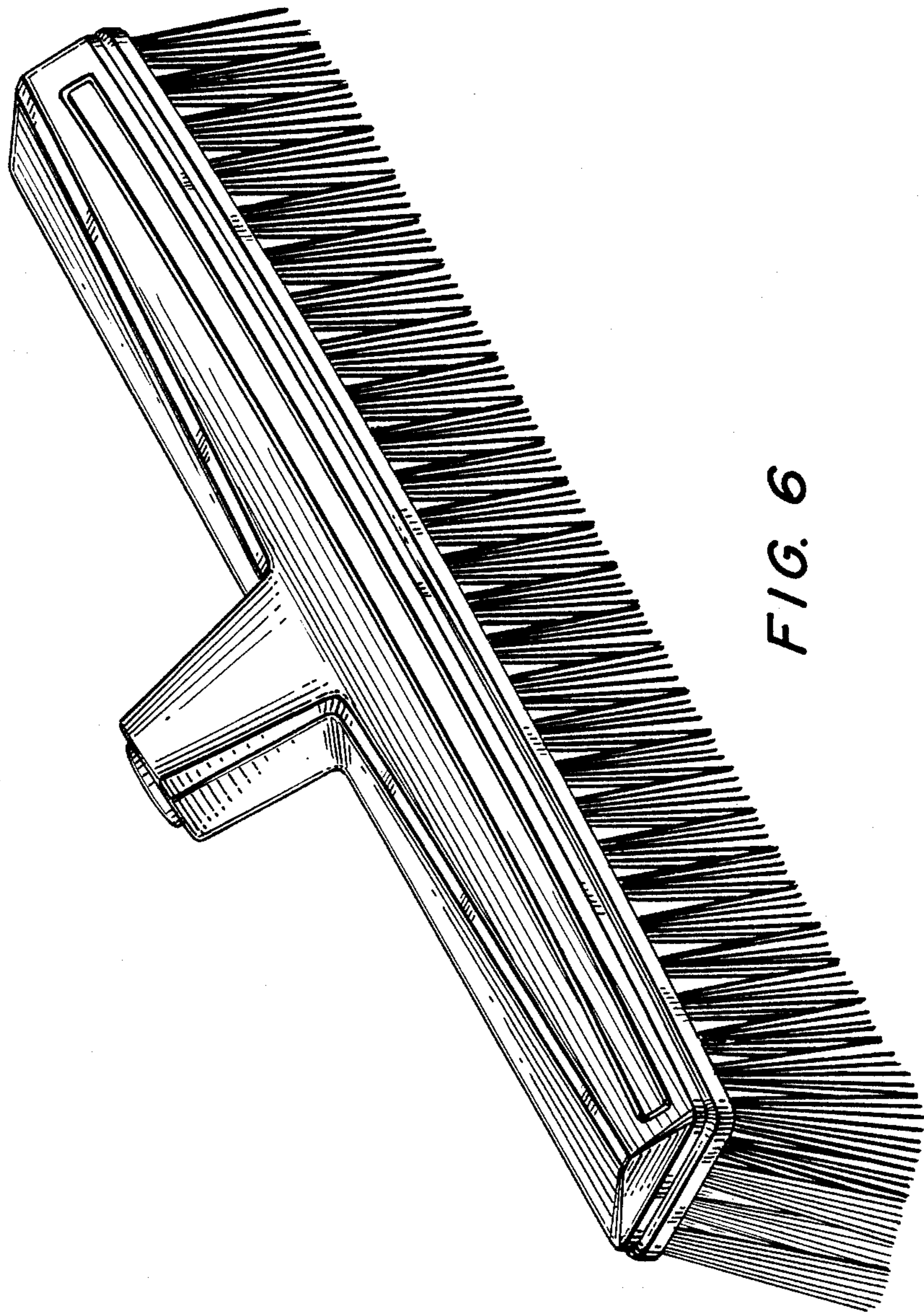


FIG. 6

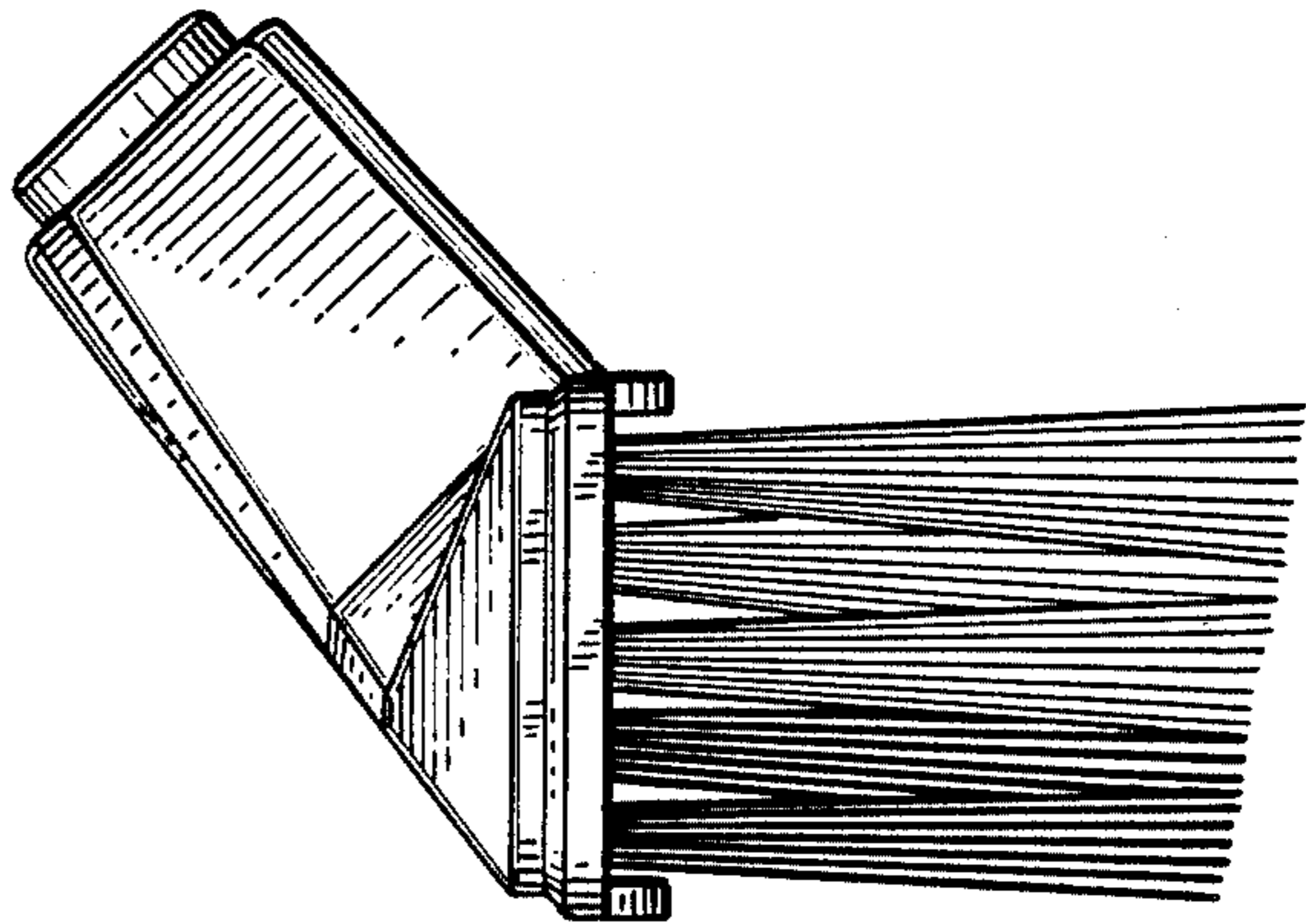


FIG. 7

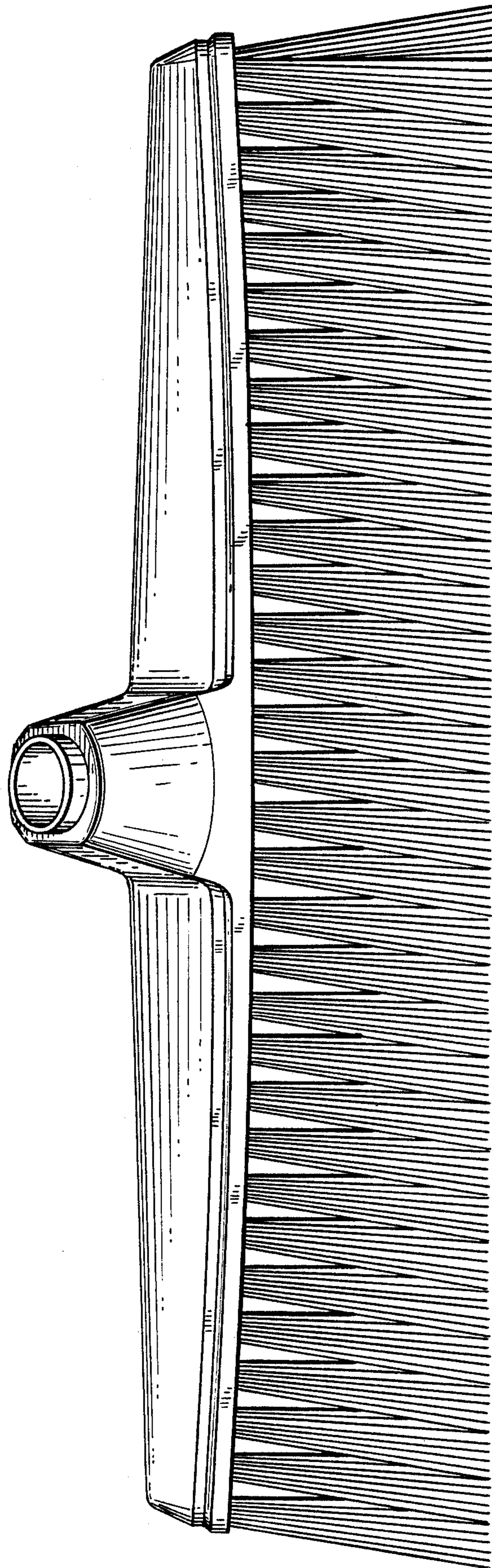


FIG. 8

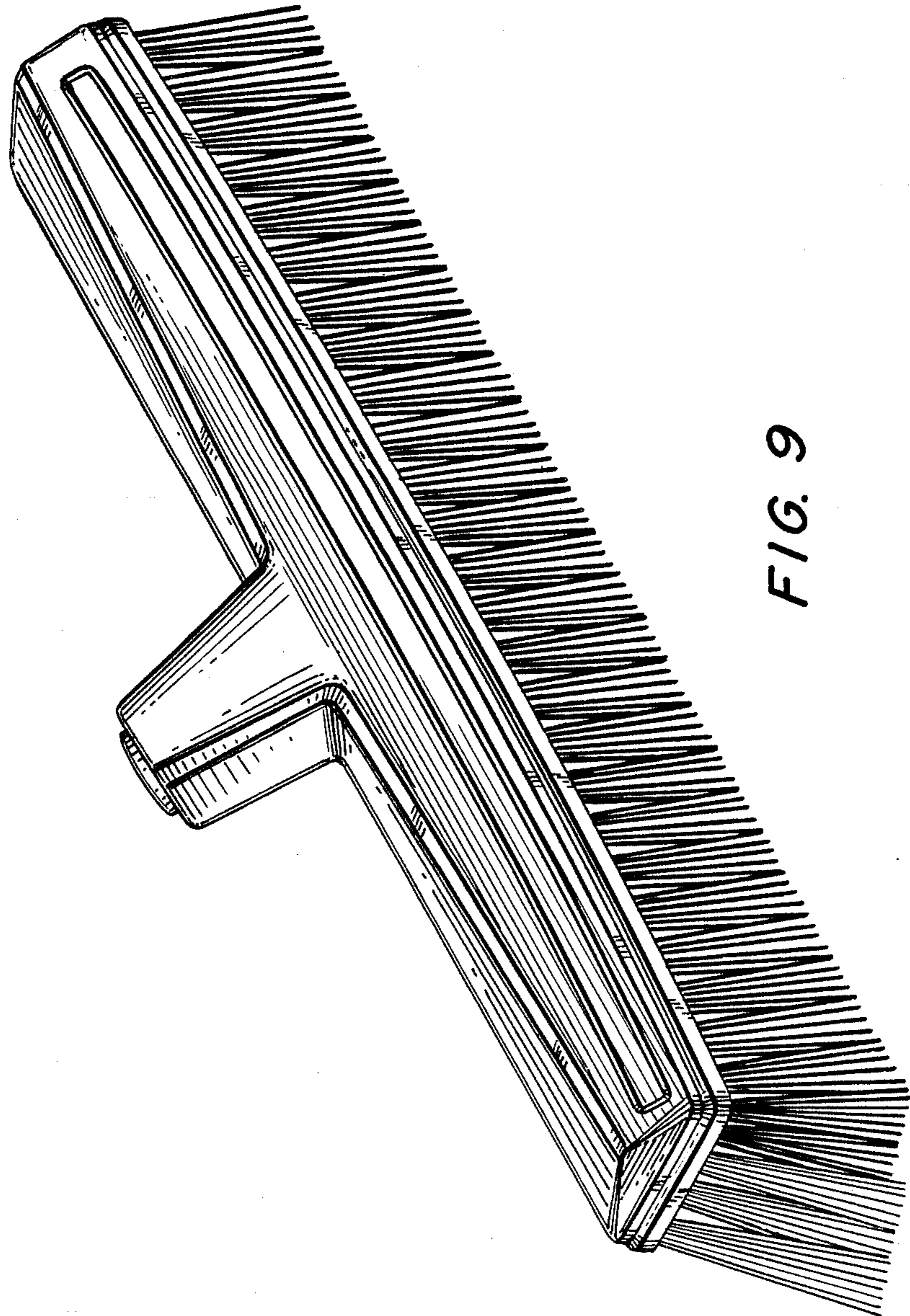


FIG. 9

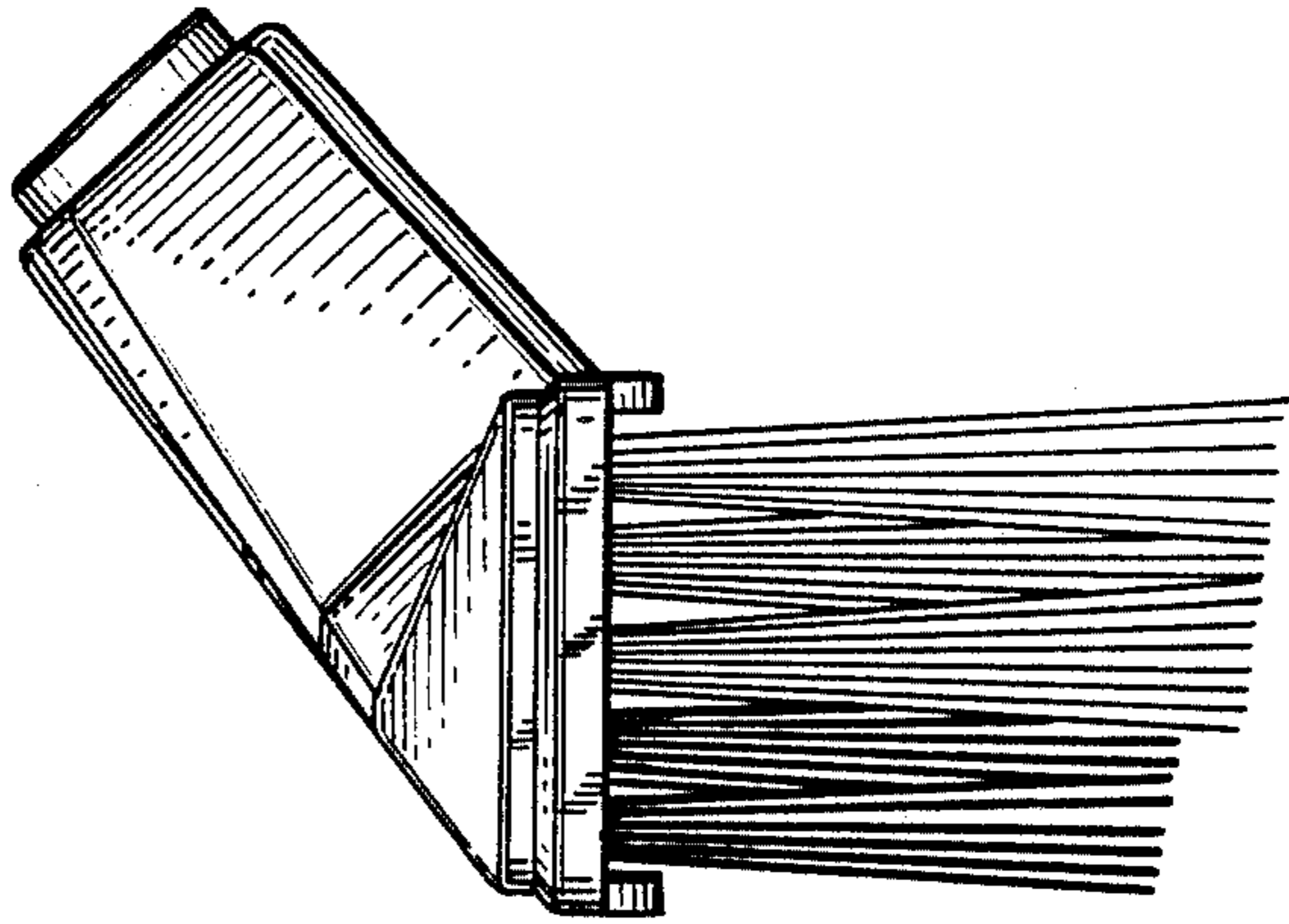


FIG. 10

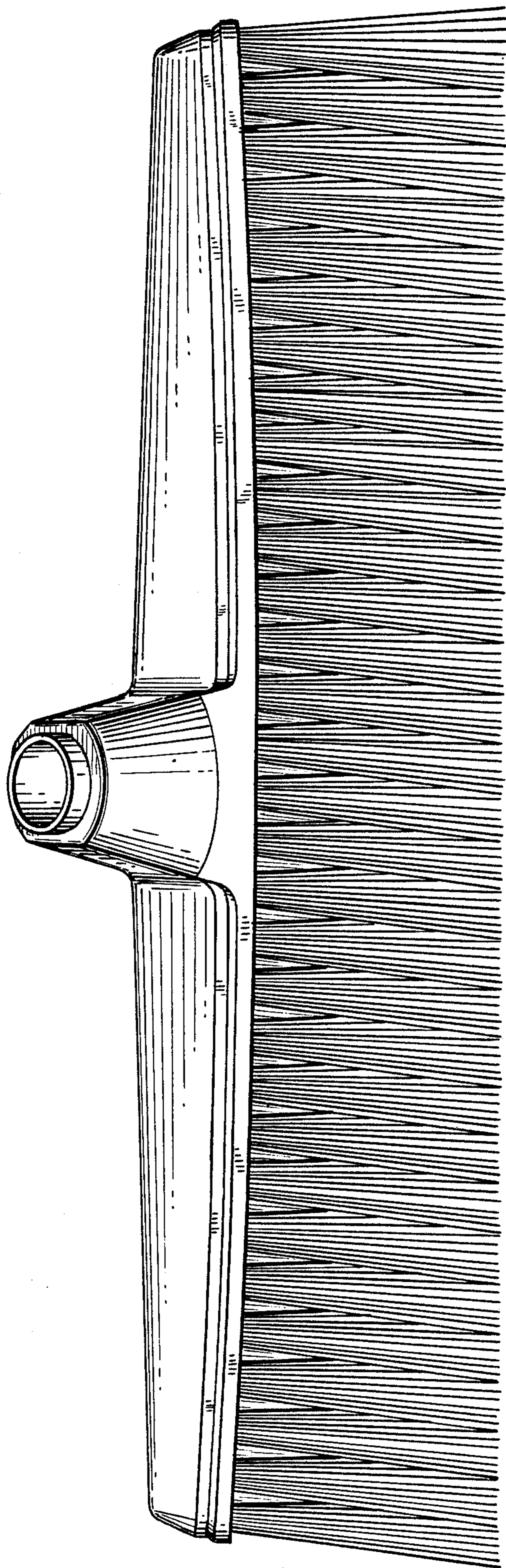


FIG. 11