

[54] **BUSINESS CARD DISPENSER**

[76] **Inventor: David A. Stafford, 2751 N. Harbor Dr., Maineville, Ohio 45039**

[**] **Term: 14 Years**

[21] **Appl. No.: 806,372**

[22] **Filed: Dec. 9, 1985**

[52] **U.S. Cl. D3/56**

[58] **Field of Search D3/56, 58, 62; 150/131, 150/147; 206/555, 556**

[56] **References Cited**

U.S. PATENT DOCUMENTS

417,166	4/1889	Geisenheimer .
521,116	6/1894	Ingram .
1,451,069	4/1923	Hansen .
3,140,777	1/1963	Gordon .
4,045,102	8/1977	Austin .

OTHER PUBLICATIONS

Best, '82-83, p. 89, item 6, card case.

Primary Examiner—Bernard Ansher

Assistant Examiner—Terry Pfeffer

Attorney, Agent, or Firm—Killworth, Gottman, Hagan & Scaeff

[57] **CLAIM**

The ornamental design for a business card dispenser, as shown and described.

DESCRIPTION

FIG. 1 is a perspective top view of a business card dispenser showing my new design; FIG. 2 is a top plan view thereof; FIG. 3 is a left-side elevational view thereof; FIG. 4 is a front elevational view thereof; FIG. 5 is a rear elevational view thereof; FIG. 6 is a right-side elevational view thereof; FIG. 7 is a bottom plan view thereof; and FIG. 8 is an exploded perspective view thereof, the broken lines are for illustrative purposes only.

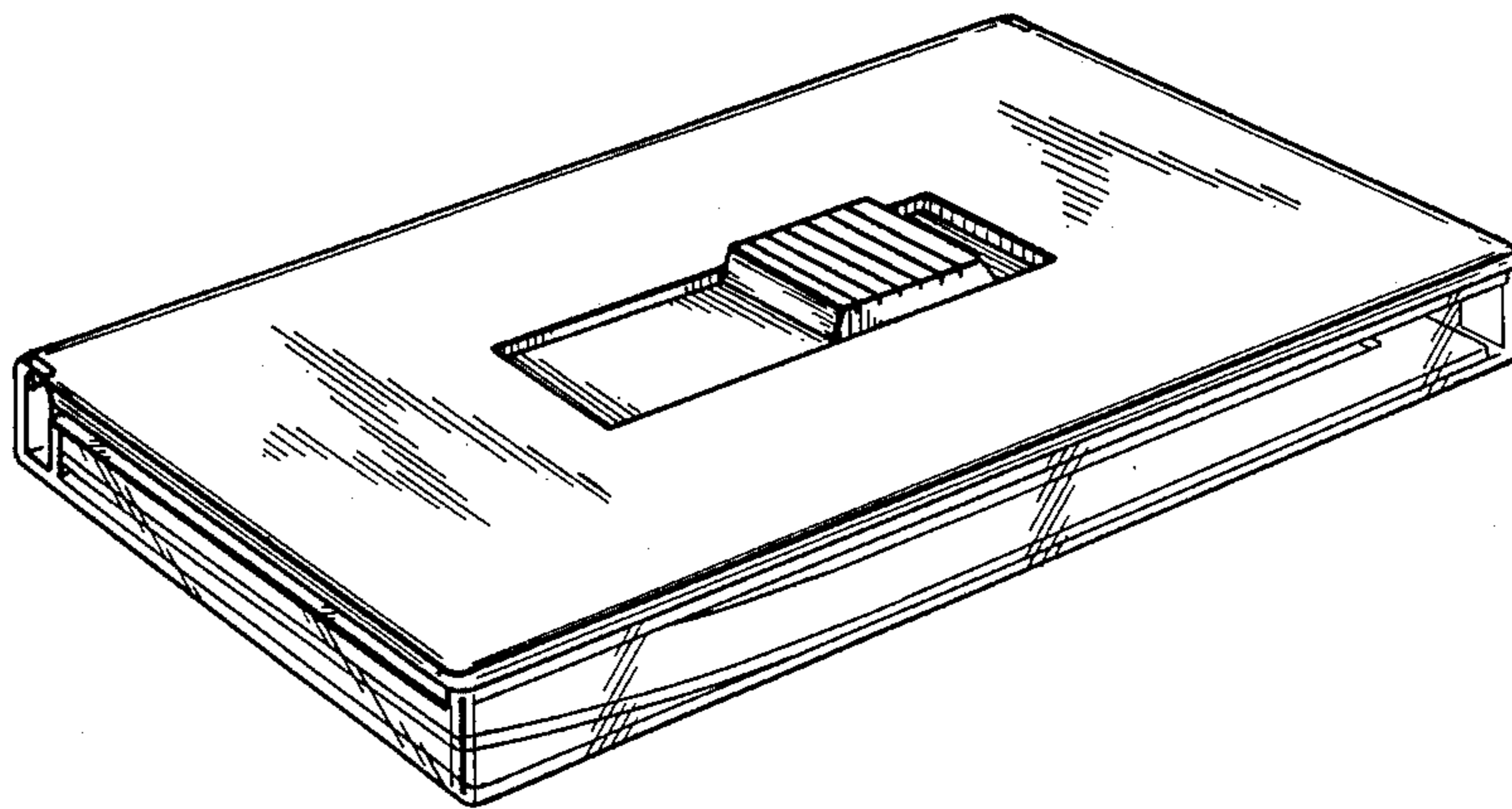


FIG-1

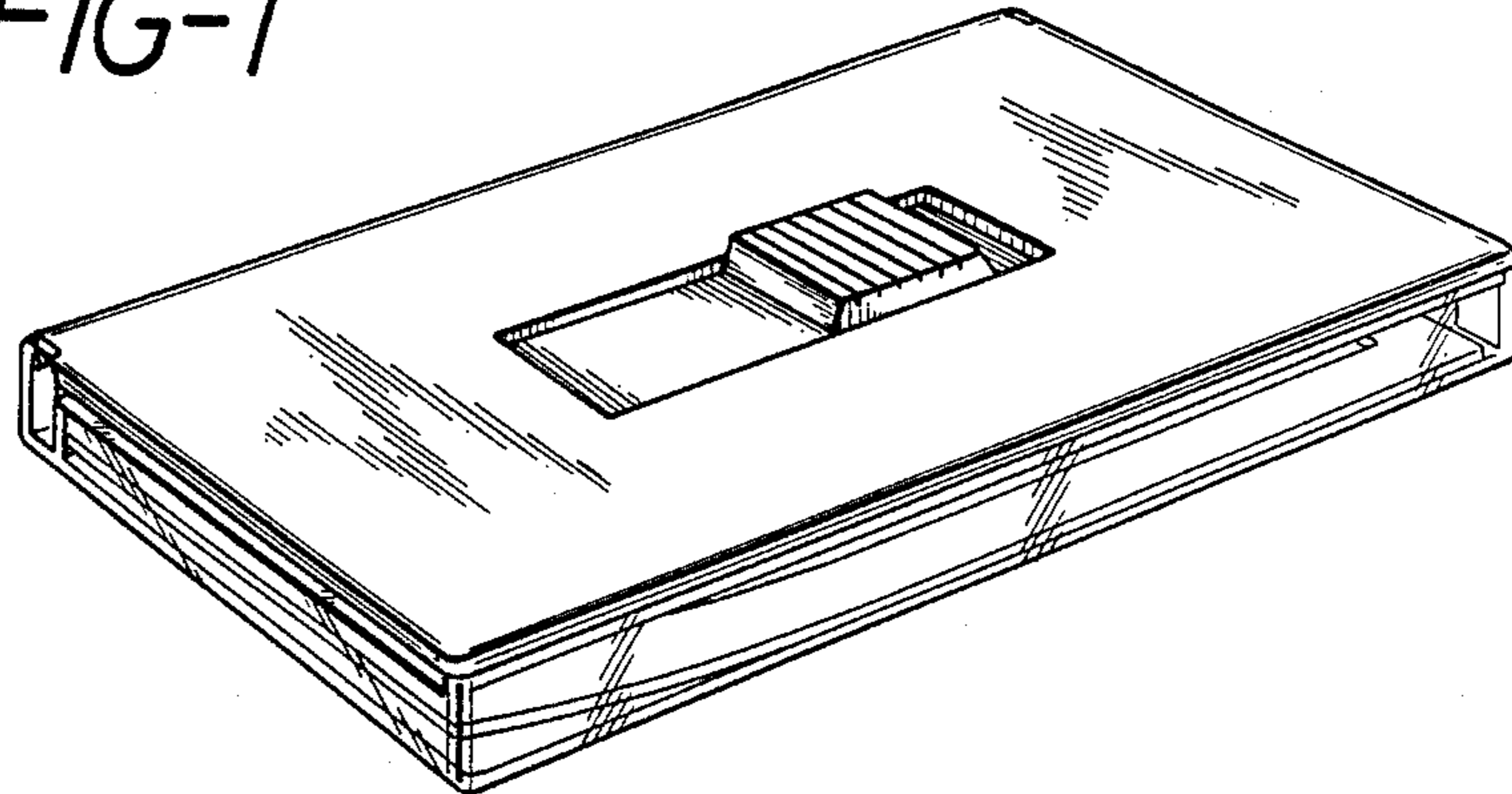


FIG-2

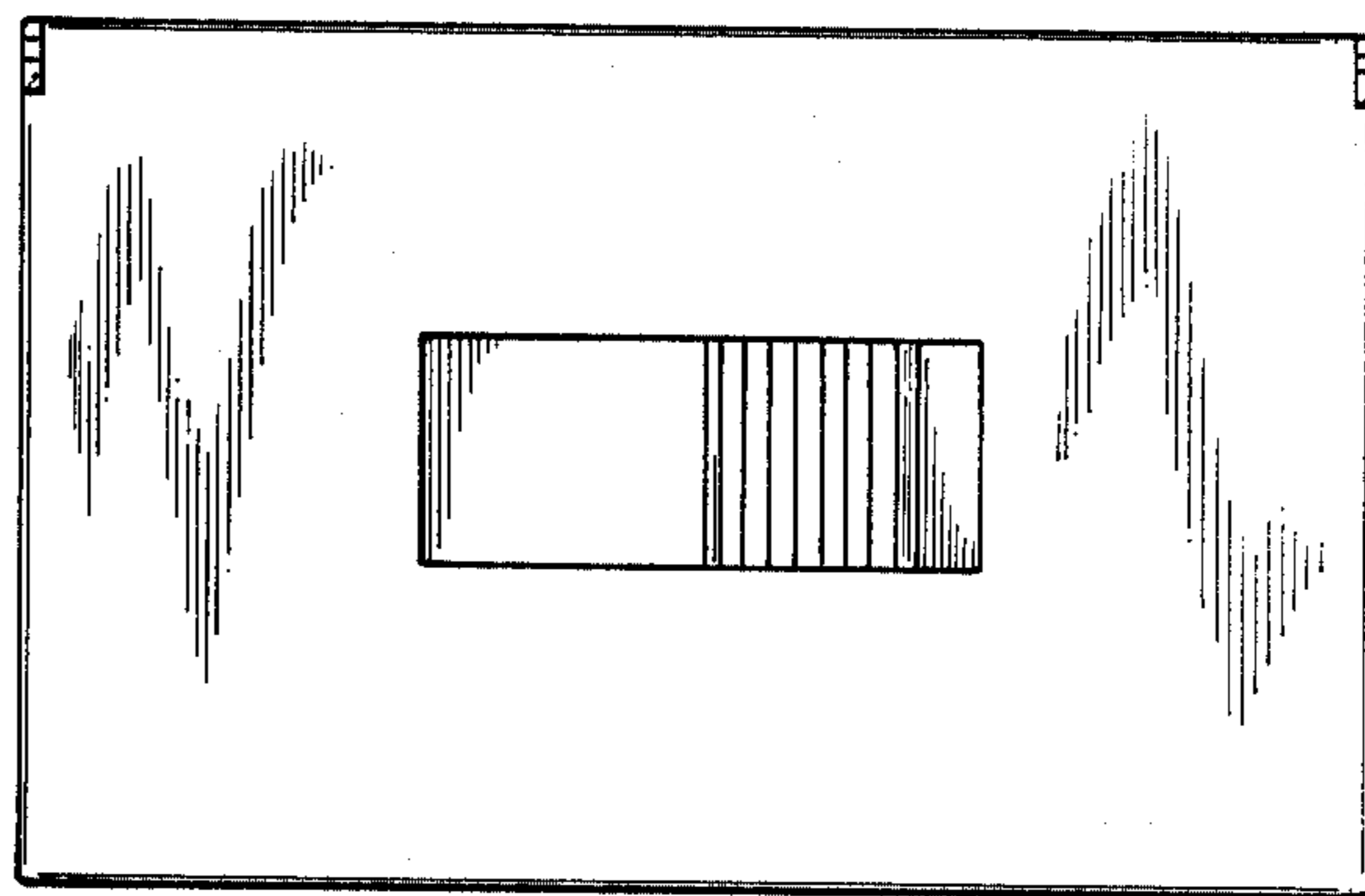


FIG-3



FIG-4



FIG-5

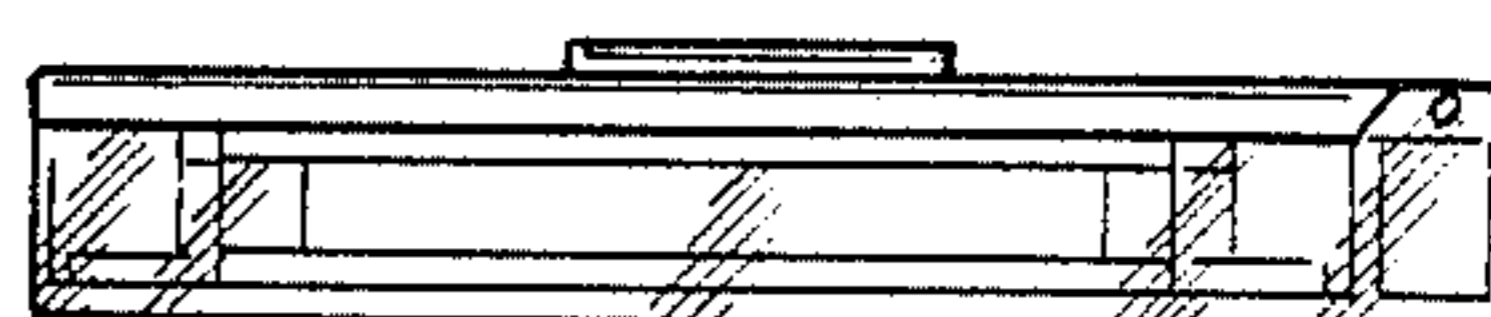


FIG-6



FIG-7

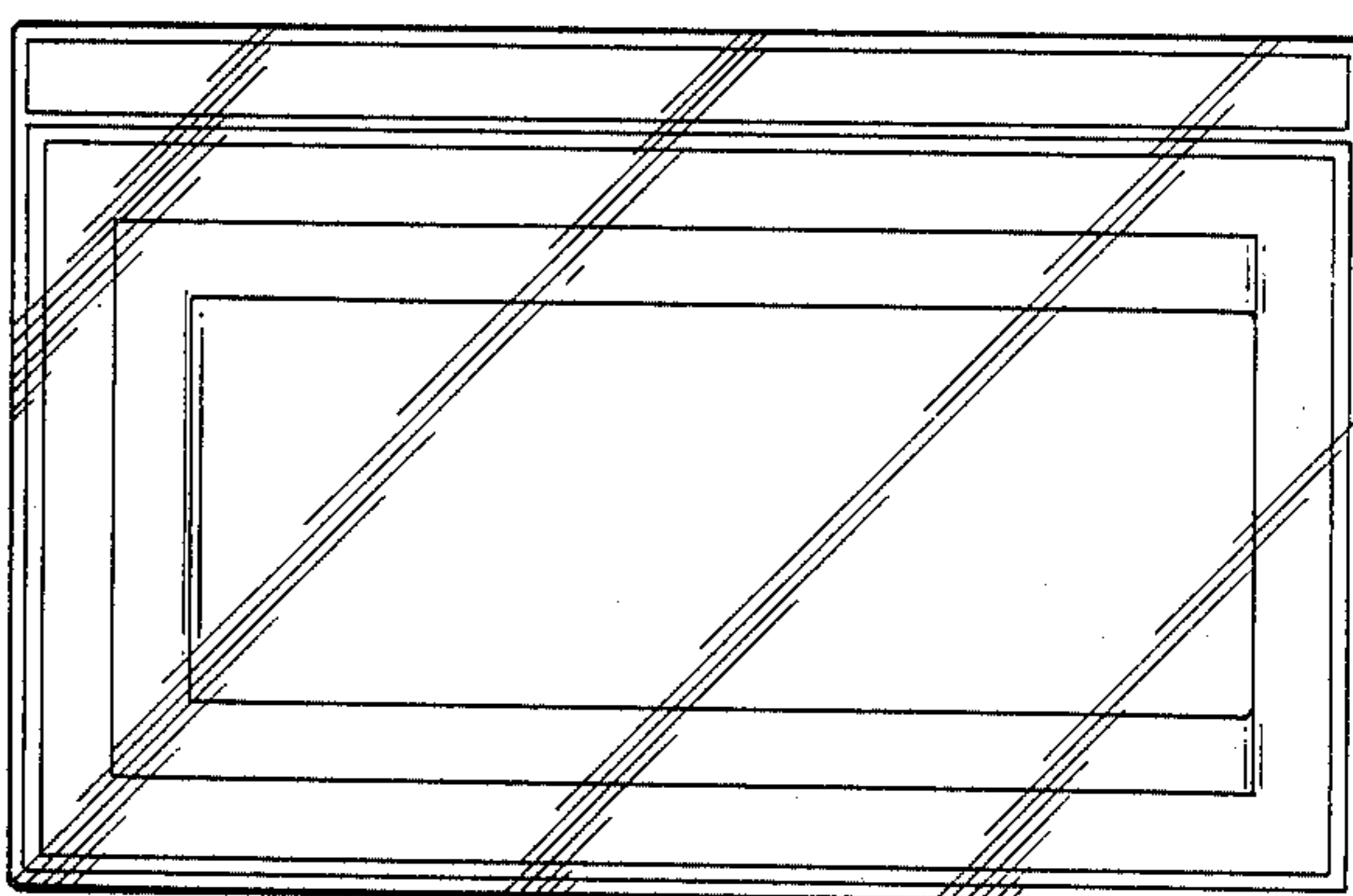


FIG-8

