

United States Patent [19]

Watson

[11] Patent Number: Des. 299,285

[45] Date of Patent: ** Jan. 10, 1989

[54] ICE GRIPPING SHOE ATTACHMENT

[76] Inventor: Derrick Watson, P.O. Box 27, Rison, Ark. 71665

[**] Term: 14 Years

[21] Appl. No.: 821,815

[22] Filed: Jan. 23, 1986

[52] U.S. Cl. D2/317; D2/270; D2/311

[58] Field of Search D2/264, 265, 270, 311, D2/314, 317, 319, 320; 36/1, 7.6, 7.7, 11.5, 59 R, 62, 132

[56] References Cited

U.S. PATENT DOCUMENTS

D. 164,457 9/1951 Sprigg D2/320

D. 171,717	3/1954	Langford	D2/311
D. 293,160	12/1987	Le Droit	D2/317
442,003	12/1890	Armstrong	36/7.6
577,475	2/1897	Zandalazini	D2/317 X
1,437,376	11/1922	Young	D2/311 X
2,114,790	4/1938	Venables	D2/309 X

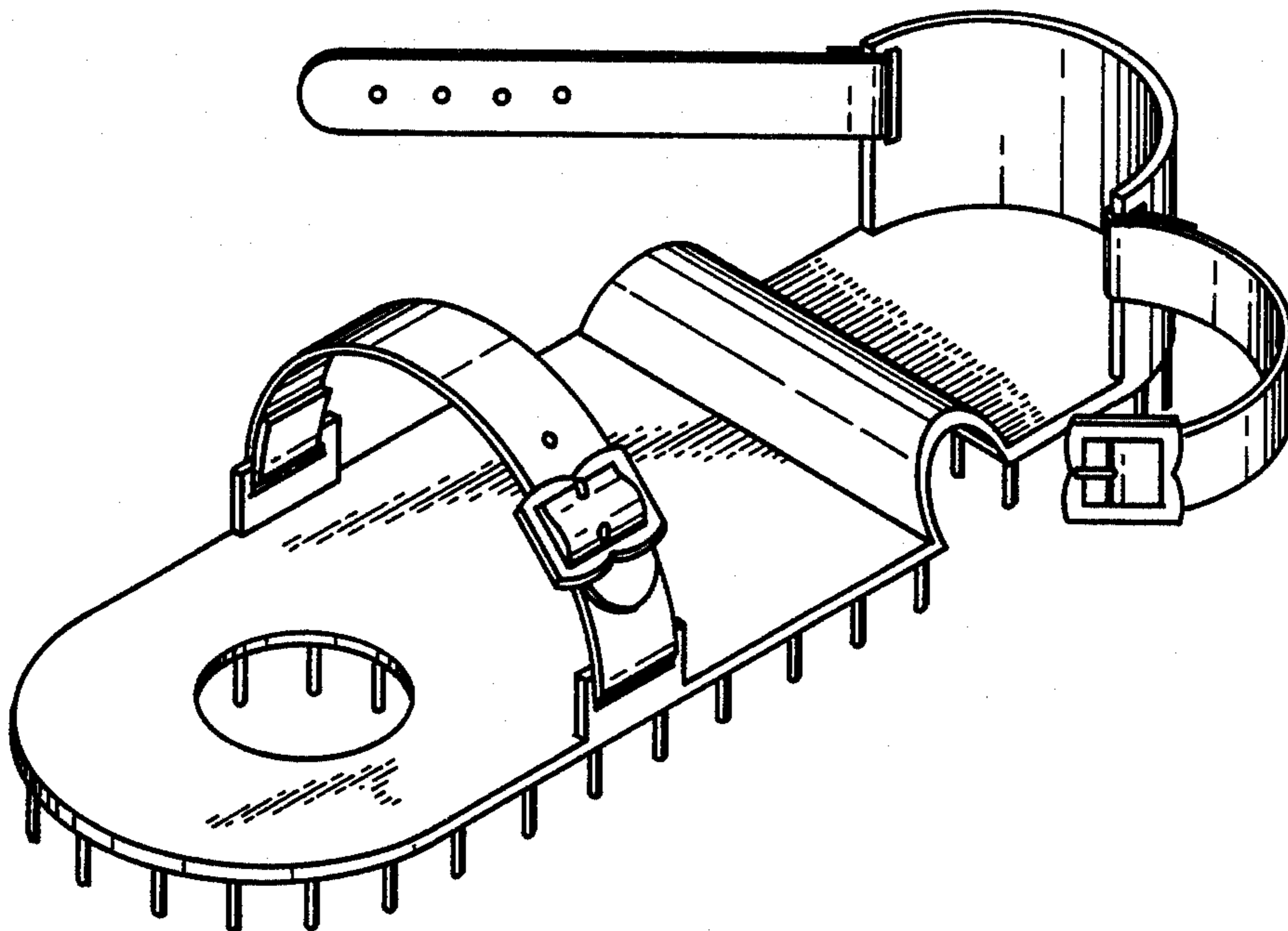
Primary Examiner—Louis S. Zarfaz
Attorney, Agent, or Firm—Terry M. Gernstein

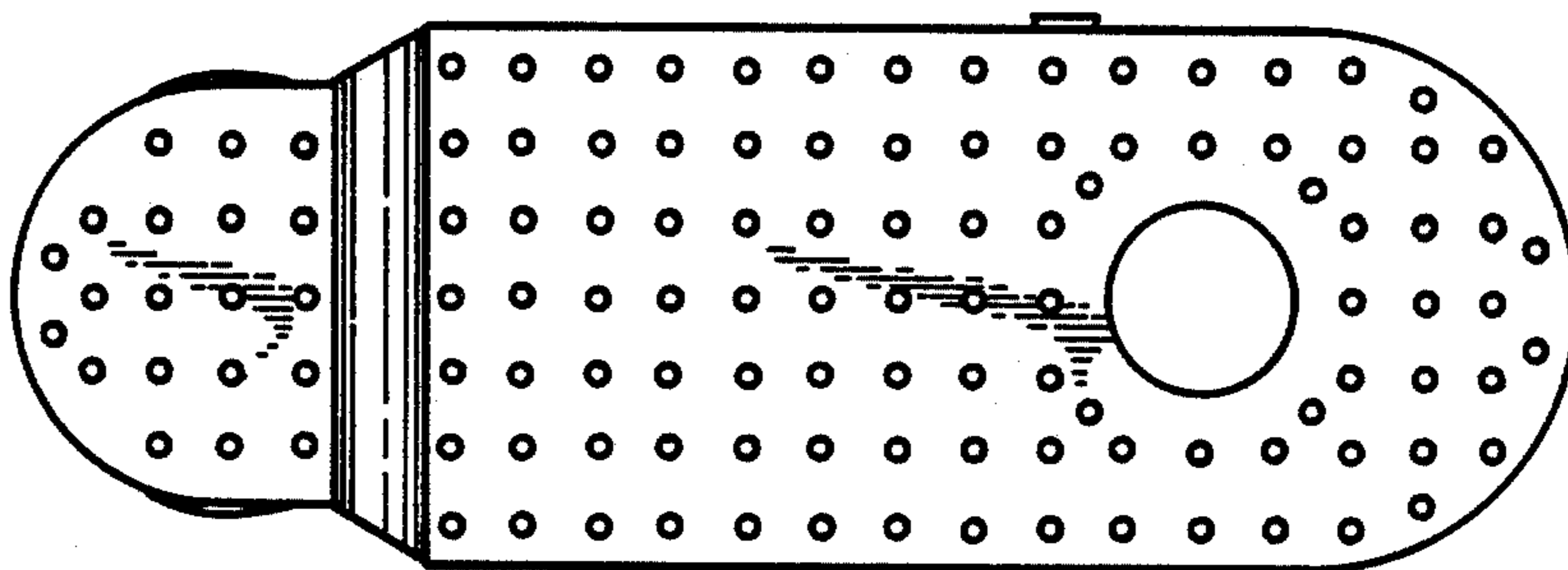
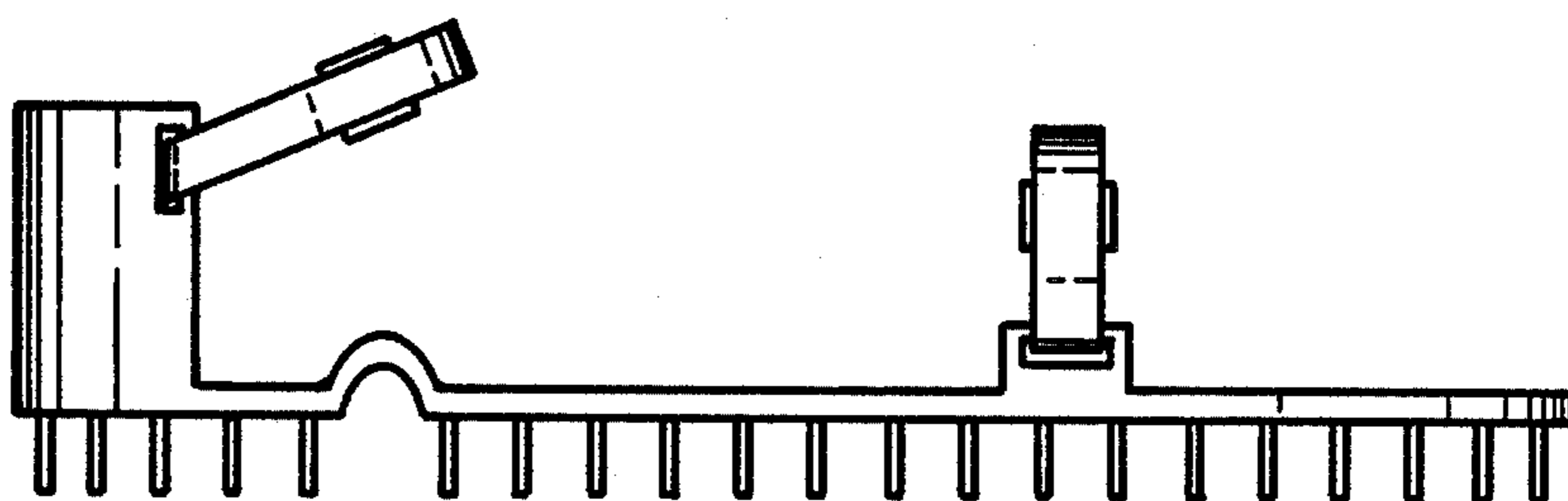
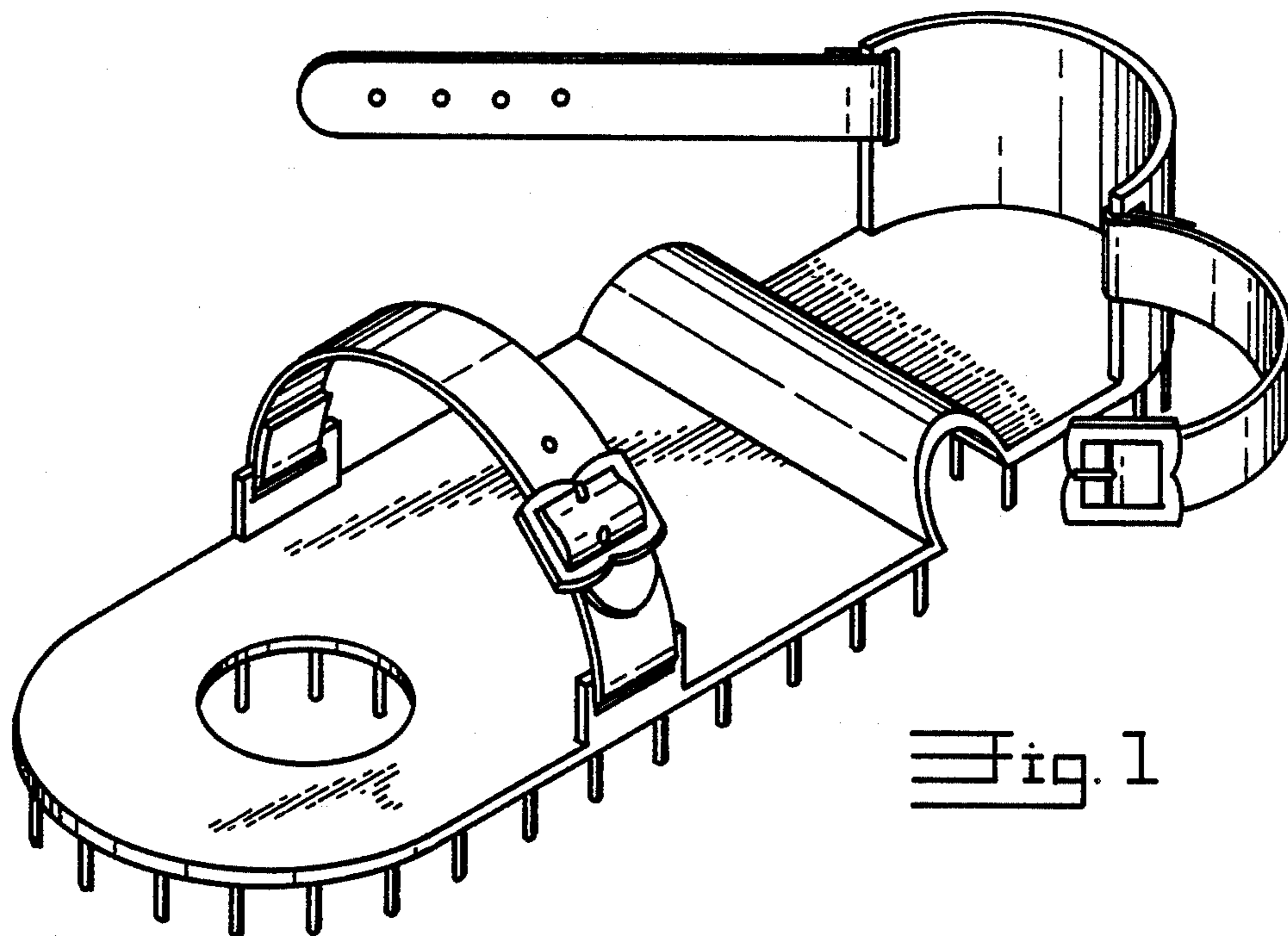
[57] CLAIM

The ornamental design for an ice gripping shoe attachment, as shown and described.

DESCRIPTION

FIG. 1 is a perspective view of an ice gripping shoe attachment showing my new design.
FIG. 2 is a side elevational view thereof.
FIG. 3 is a bottom plan view thereof.
FIG. 4 is a rear elevational view thereof.





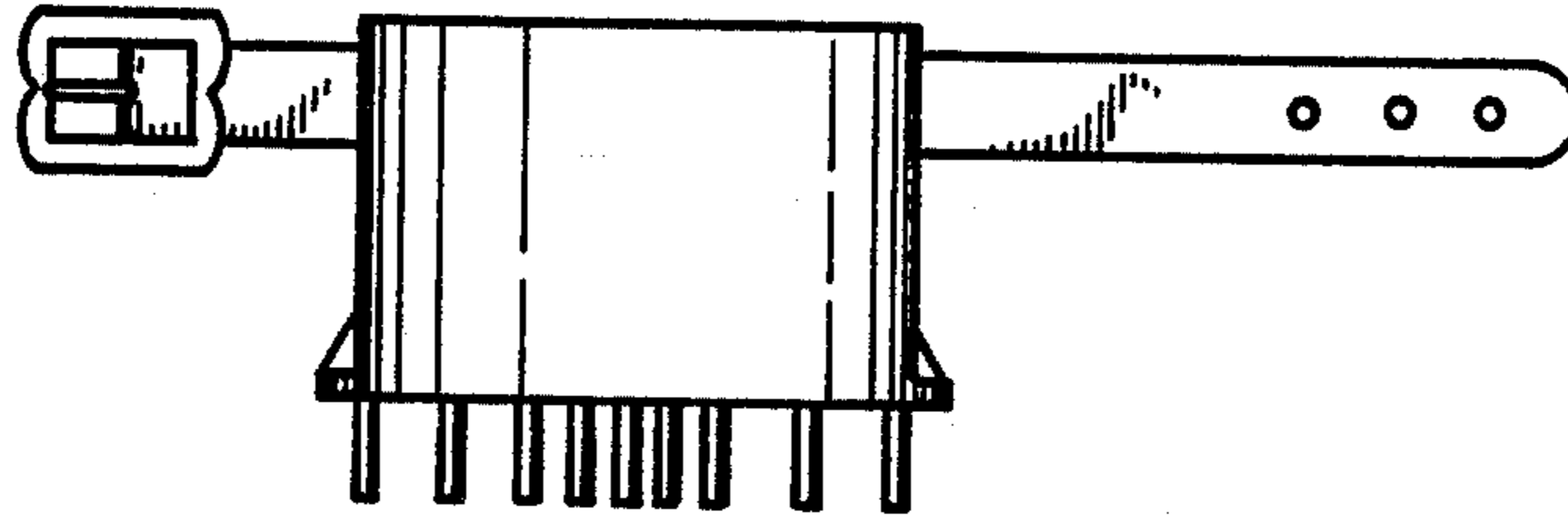


Fig. 4