

[54] FLASHLIGHT

[75] Inventor: Keiichi Ohashi, Shizuoka, Japan

[73] Assignee: Skylite Industry Co., Ltd., Shizuoka, Japan

[\*\*] Term: 14 Years

[21] Appl. No.: 869,961

[22] Filed: Jun. 2, 1986

[30] Foreign Application Priority Data

Jan. 14, 1986 [GB] United Kingdom ..... 1031566

[52] U.S. Cl. .... D26/49

[58] Field of Search ..... D26/37-50; 362/157, 158, 183-191, 194-208

[56] References Cited

U.S. PATENT DOCUMENTS

- D. 268,528 4/1983 Hung ..... D26/49
- D. 283,646 4/1986 Battarel et al. .... D26/49

- 2,900,493 8/1959 Cheng ..... 362/184
- 2,942,102 6/1960 Stoutenburgh ..... 362/157

Primary Examiner—Susan J. Lucas  
Attorney, Agent, or Firm—Wegner & Bretschneider

[57] CLAIM

The ornamental design for flashlight, as shown and described.

DESCRIPTION

FIG. 1 is a top, front, left side perspective view of a flashlight showing my new design;  
 FIG. 2 is a front elevational view thereof;  
 FIG. 3 is a top plan view thereof;  
 FIG. 4 is a rear elevational view thereof;  
 FIG. 5 is a bottom plan view thereof;  
 FIG. 6 is a right side elevational view thereof;  
 FIG. 7 is a left side elevational view thereof; and  
 FIG. 8 is a top, rear, left side perspective view thereof. The broken lines are shown in FIG. 8 for illustrative purposes only.

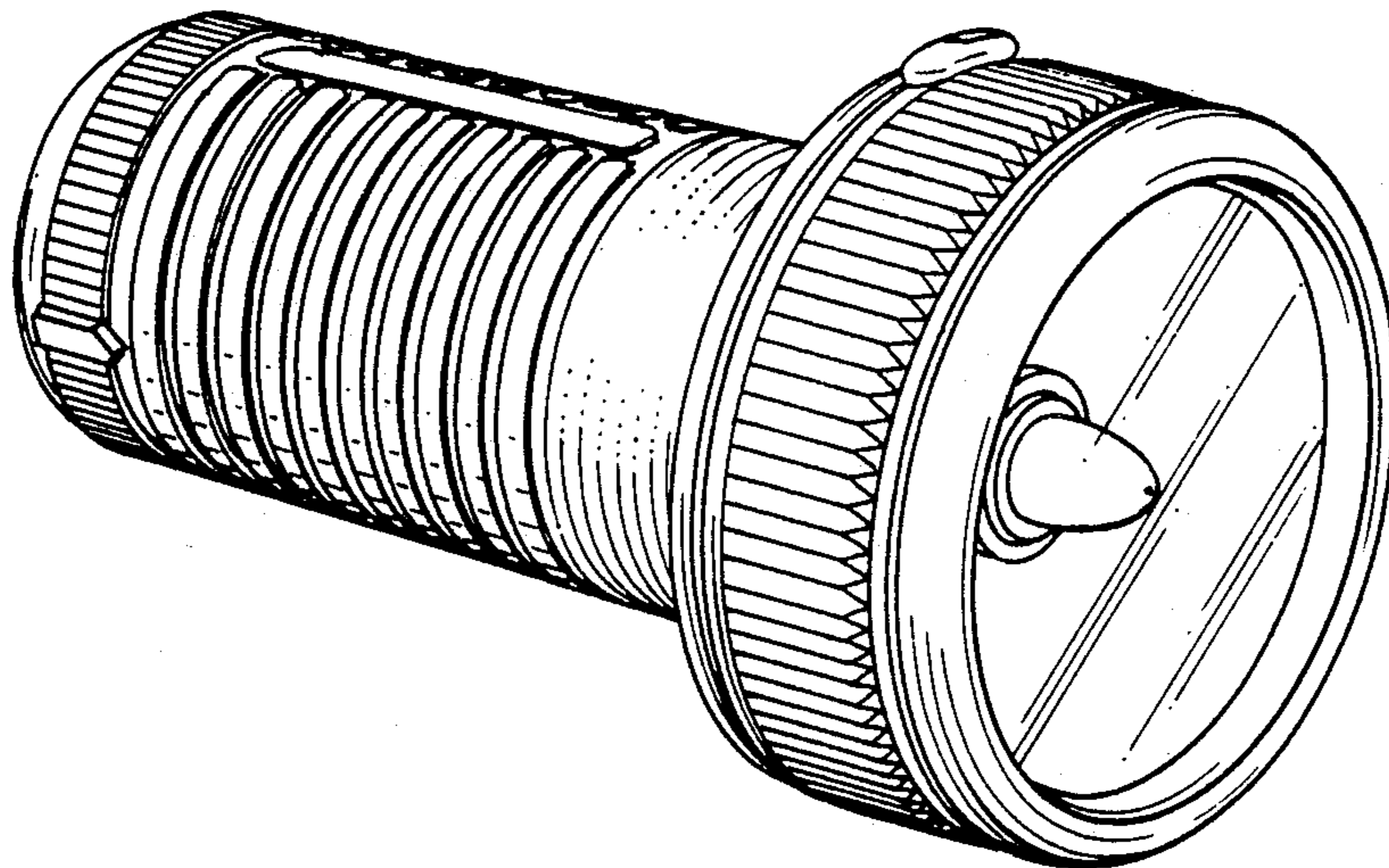


FIG. 1

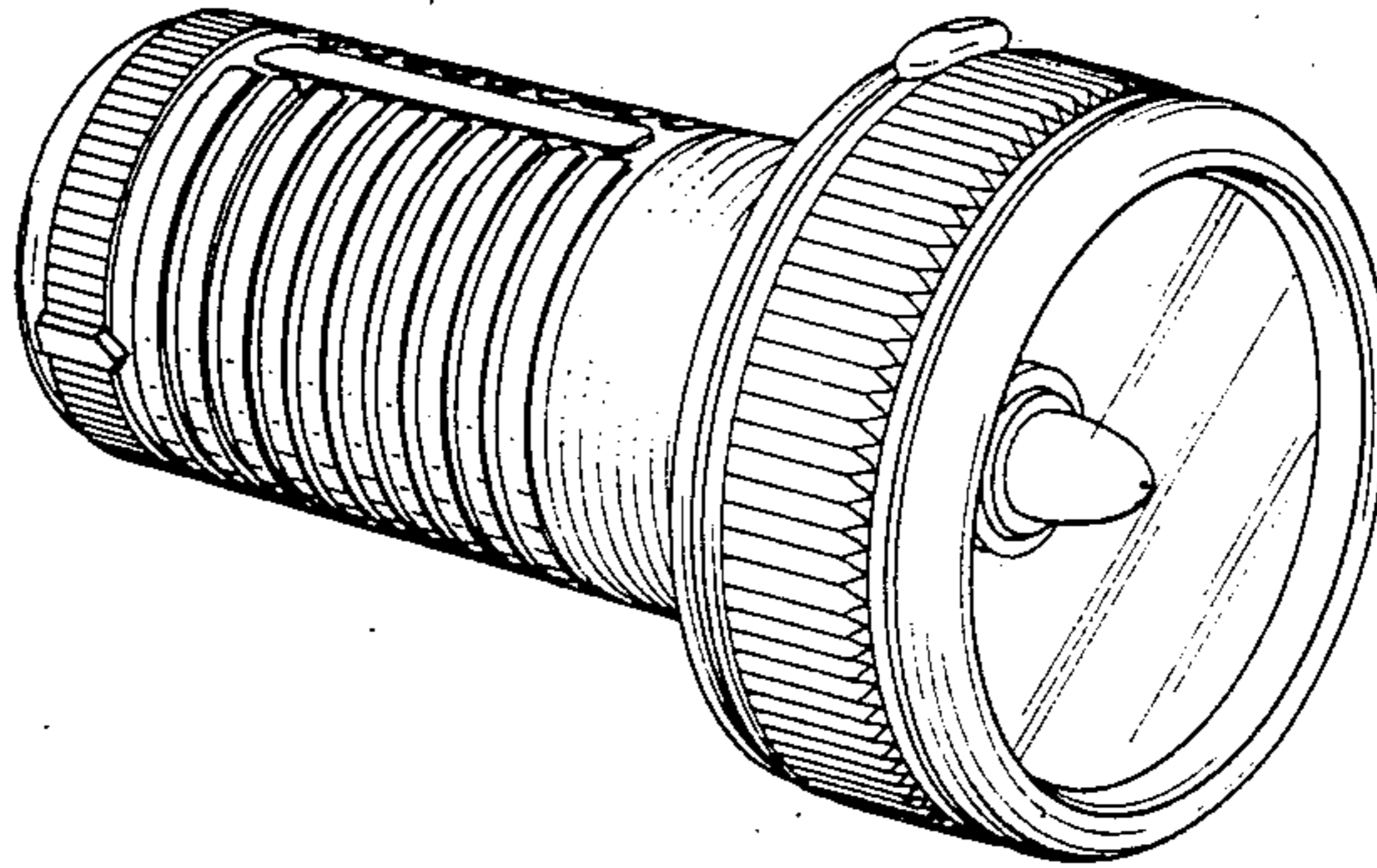


FIG. 2

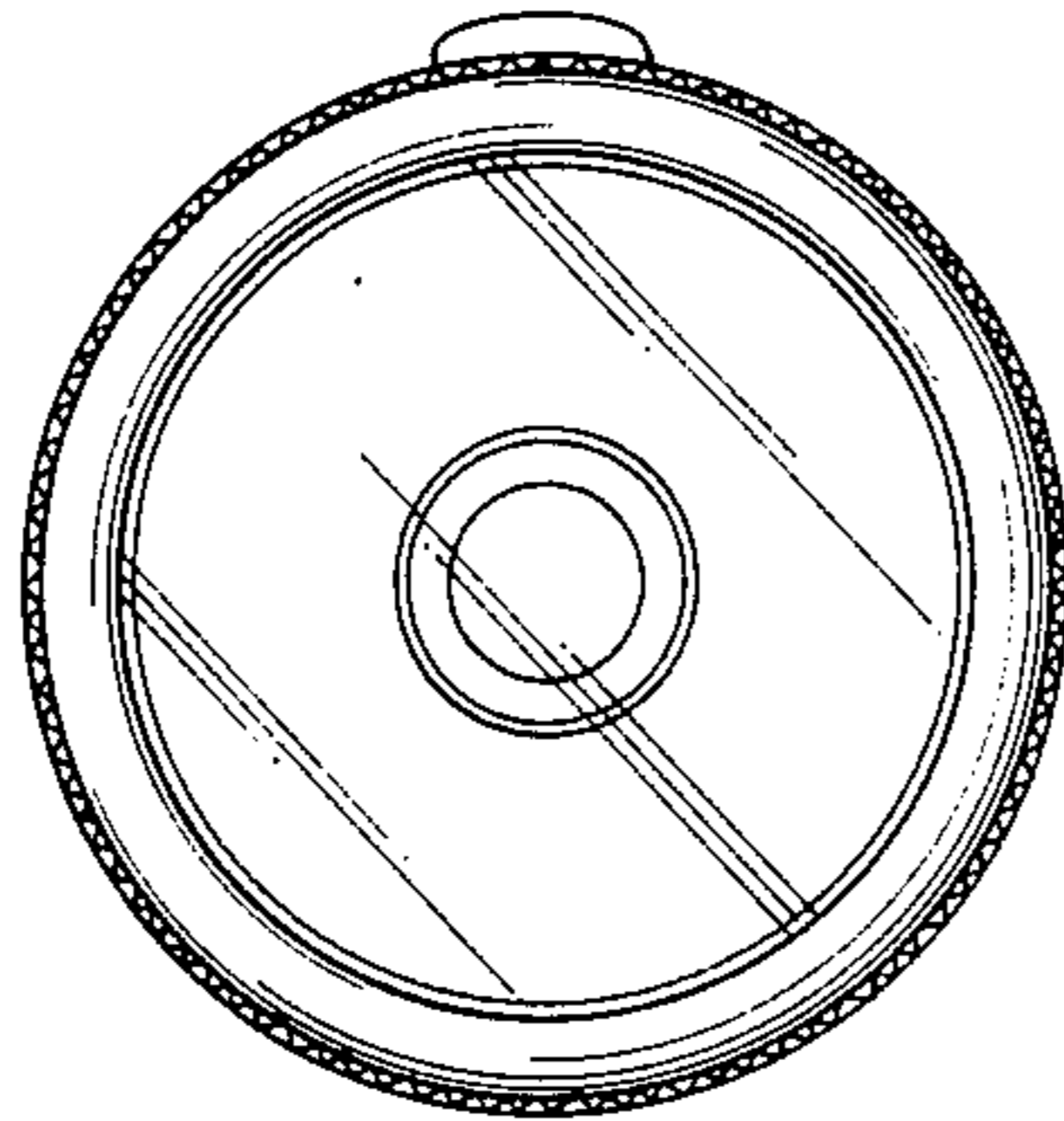


FIG. 3

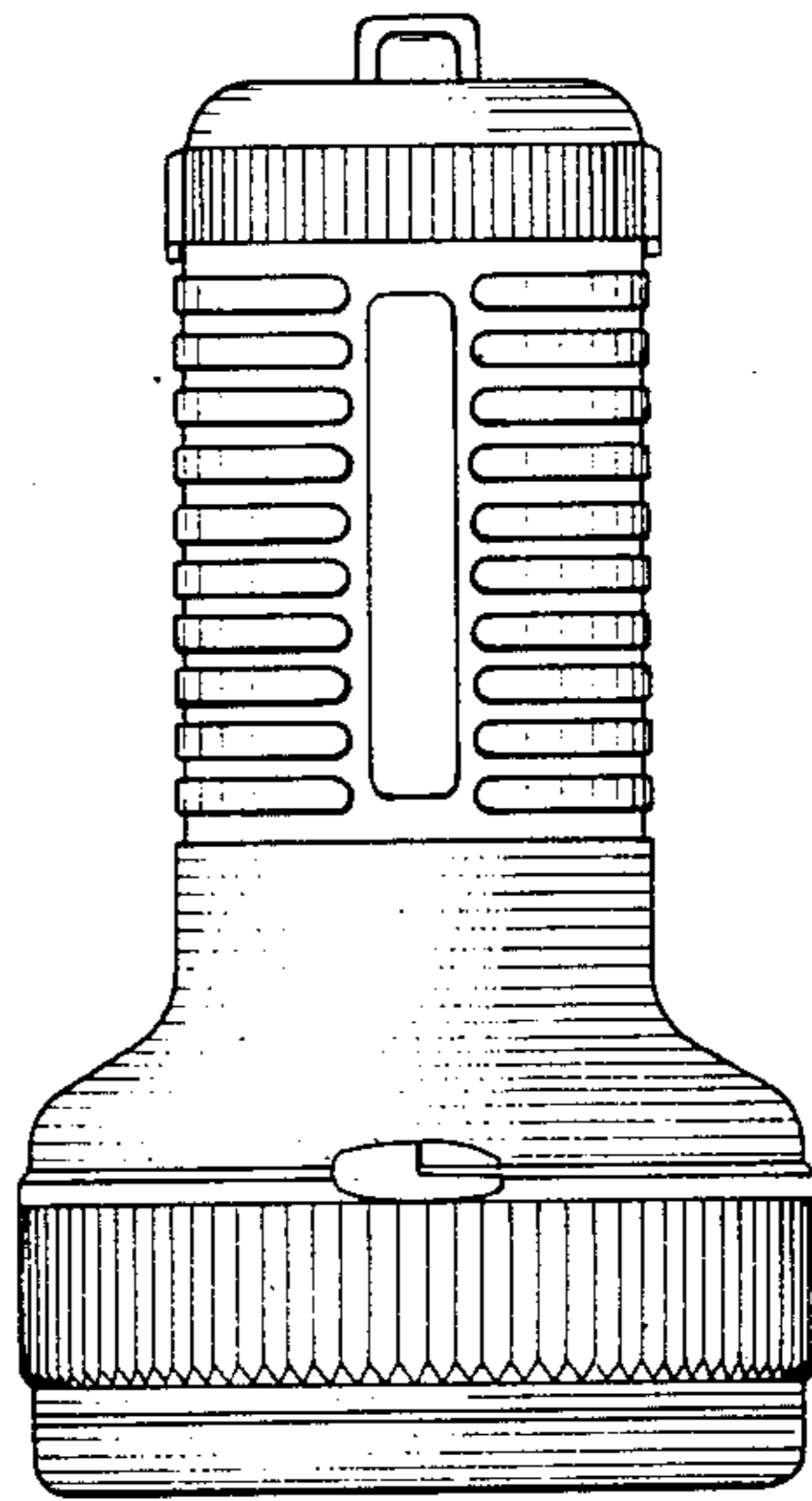


FIG. 4

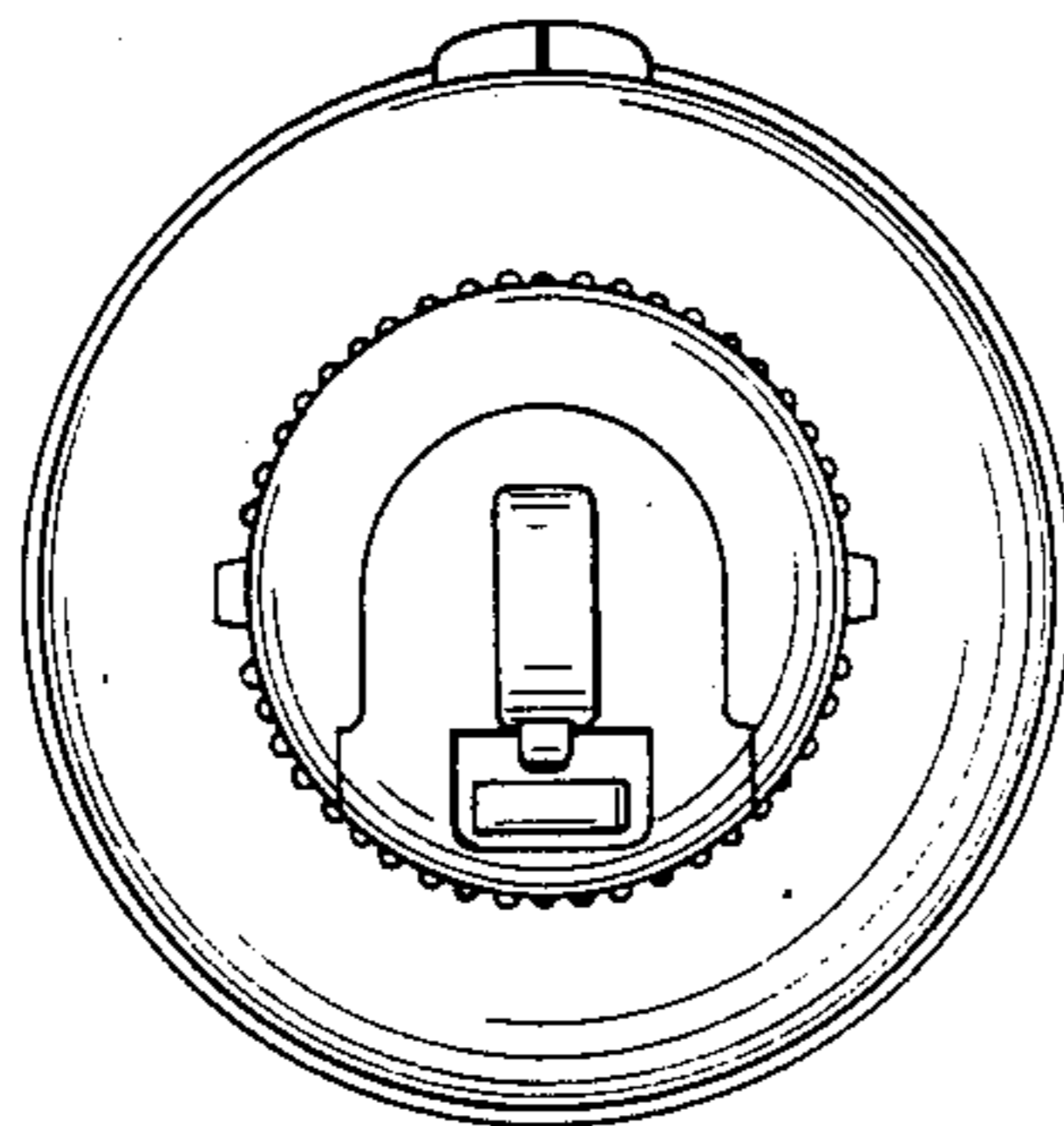


FIG. 5

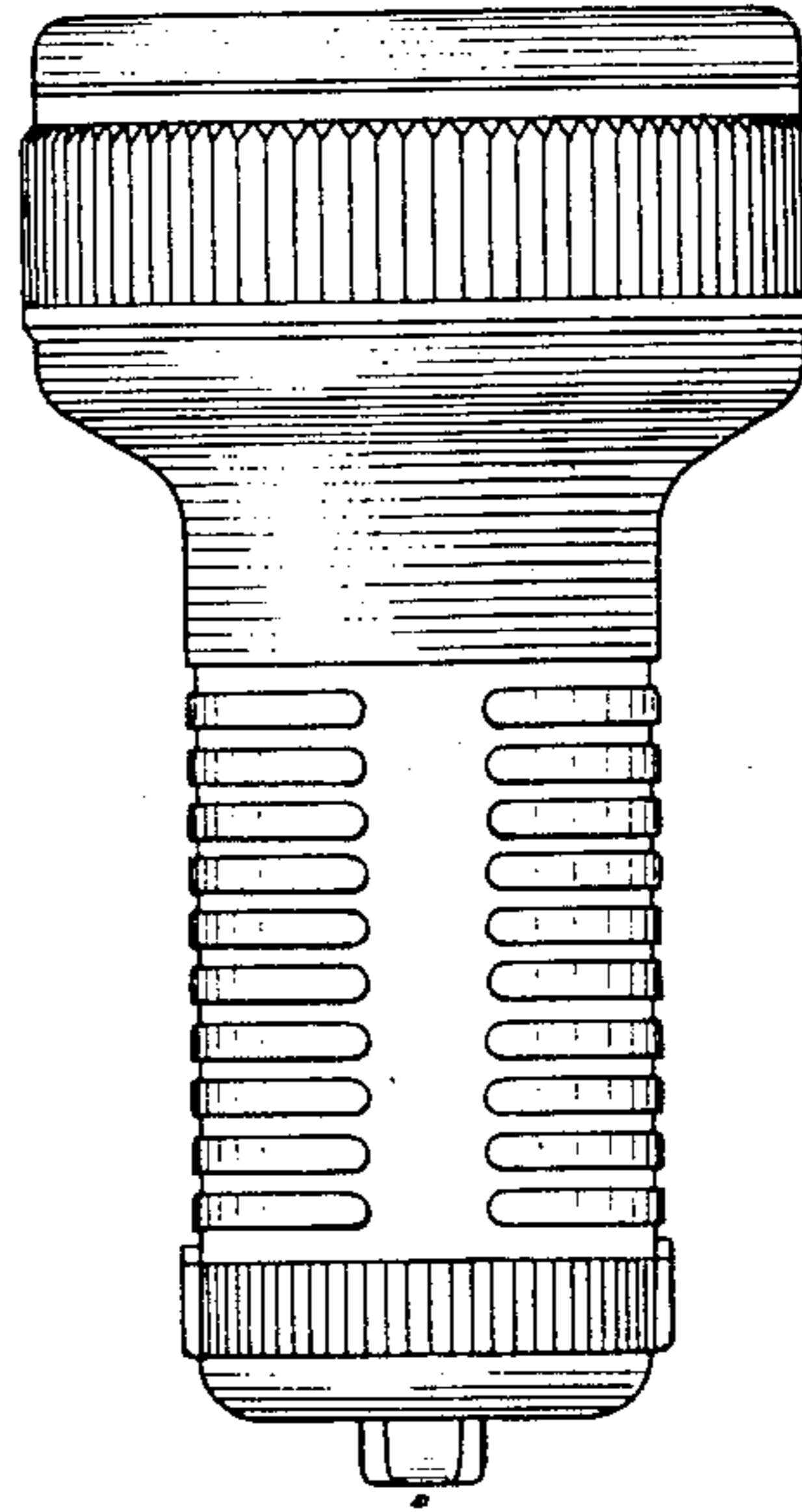


FIG. 6

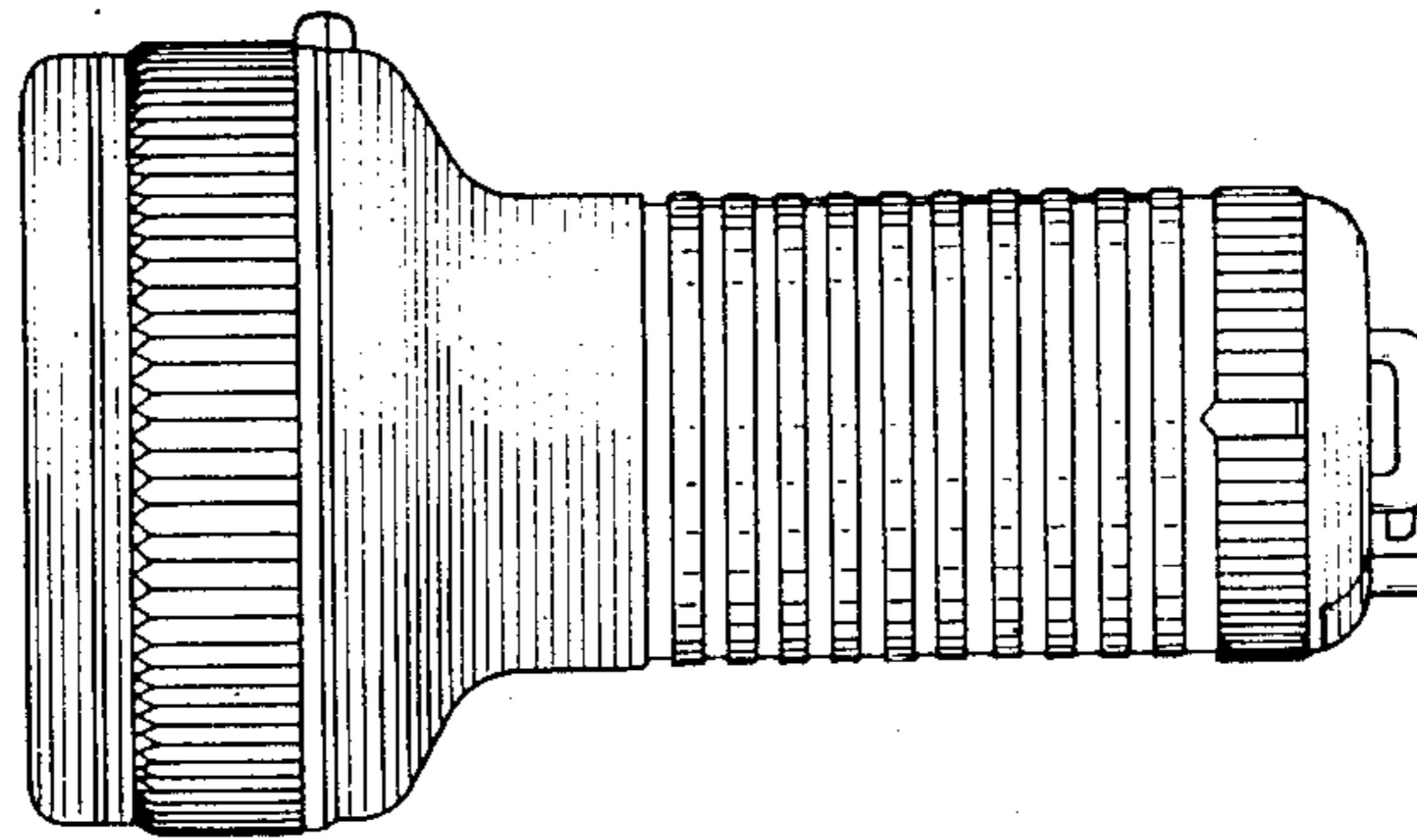


FIG. 7

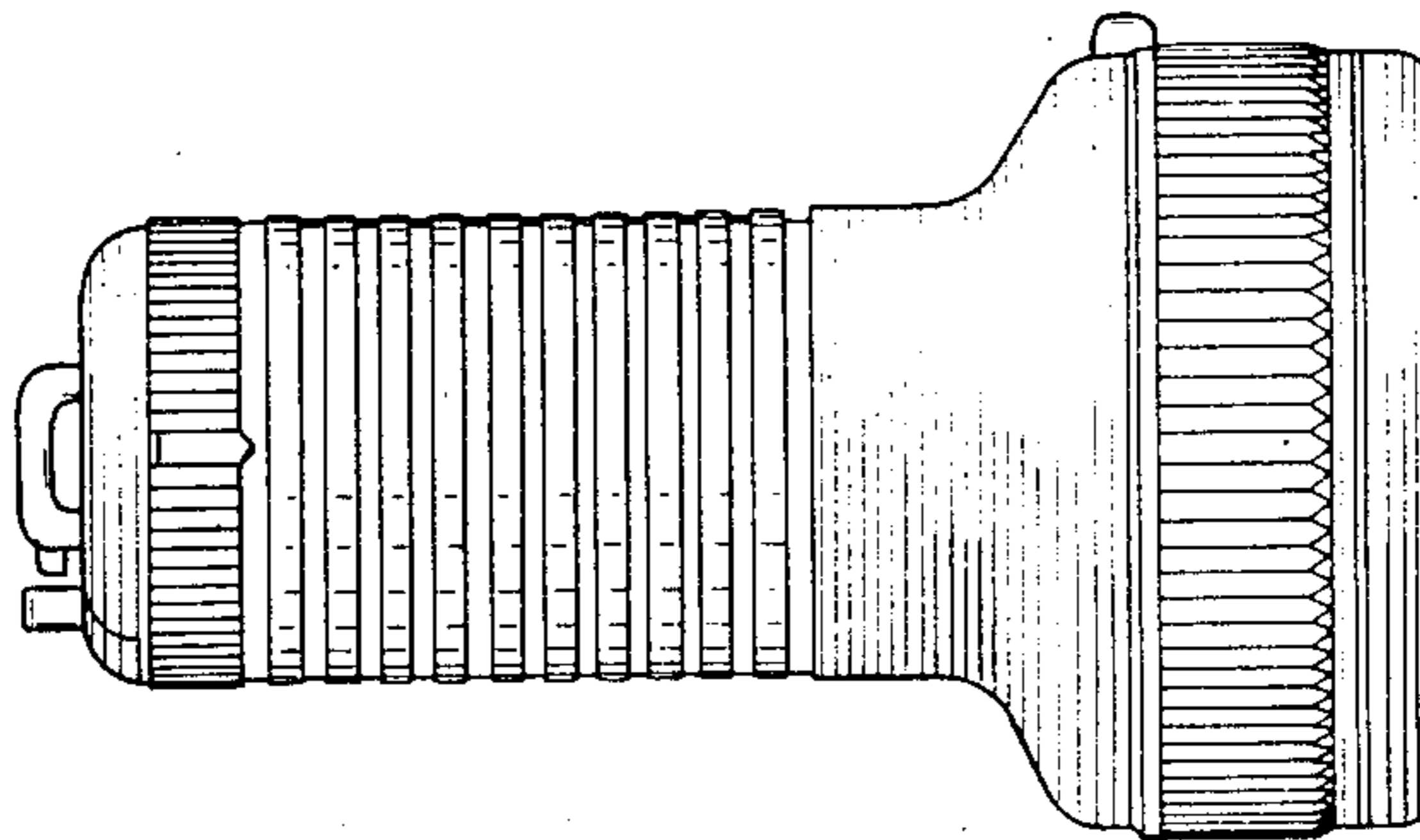


FIG. 8

