

[54] ARTERIAL FILTER

[56] References Cited

U.S. PATENT DOCUMENTS

[75] Inventors: Jeanne S. Pierson, El Toro; Wendell V. Ebling, Tustin; Jack W. Brown, Santa Ana; Peter N. Cassimatis, Costa Mesa, all of Calif.

D. 239,878	5/1976	Mouwen et al.	.....	D24/21
3,827,562	8/1974	Esmond	.....	210/321.74 X
4,411,783	10/1983	Dickens et al.	.....	210/304
4,420,403	12/1983	Tufts	.....	210/304 X
4,490,254	12/1984	Gordon et al.	.....	210/304 X

[73] Assignee: Gish Biomedical, Inc., Santa Ana, Calif.

Primary Examiner—Wallace R. Burke  
Assistant Examiner—Stella M. Reid  
Attorney, Agent, or Firm—Robert J. Schaap

[\*\*] Term: 14 Years

[57] CLAIM

The ornamental design for an arterial filter, as shown.

[21] Appl. No.: 826,820

DESCRIPTION

[22] Filed: Feb. 6, 1986

FIG. 1 is a side elevational view of an arterial filter, showing our new design;

[52] U.S. Cl. .... D24/21; D24/8

FIG. 2 is a front elevational view thereof;

[58] Field of Search ..... D24/21; 210/323.1, 323.2,

FIG. 3 is a rear elevational view thereof;

210/321.74, 321.87, 304, 297; 422/44, 45;

FIG. 4 is a top plan view thereof;

128/400; 604/317

FIG. 5 is a bottom plan view thereof; and

FIG. 6 is a perspective view thereof.

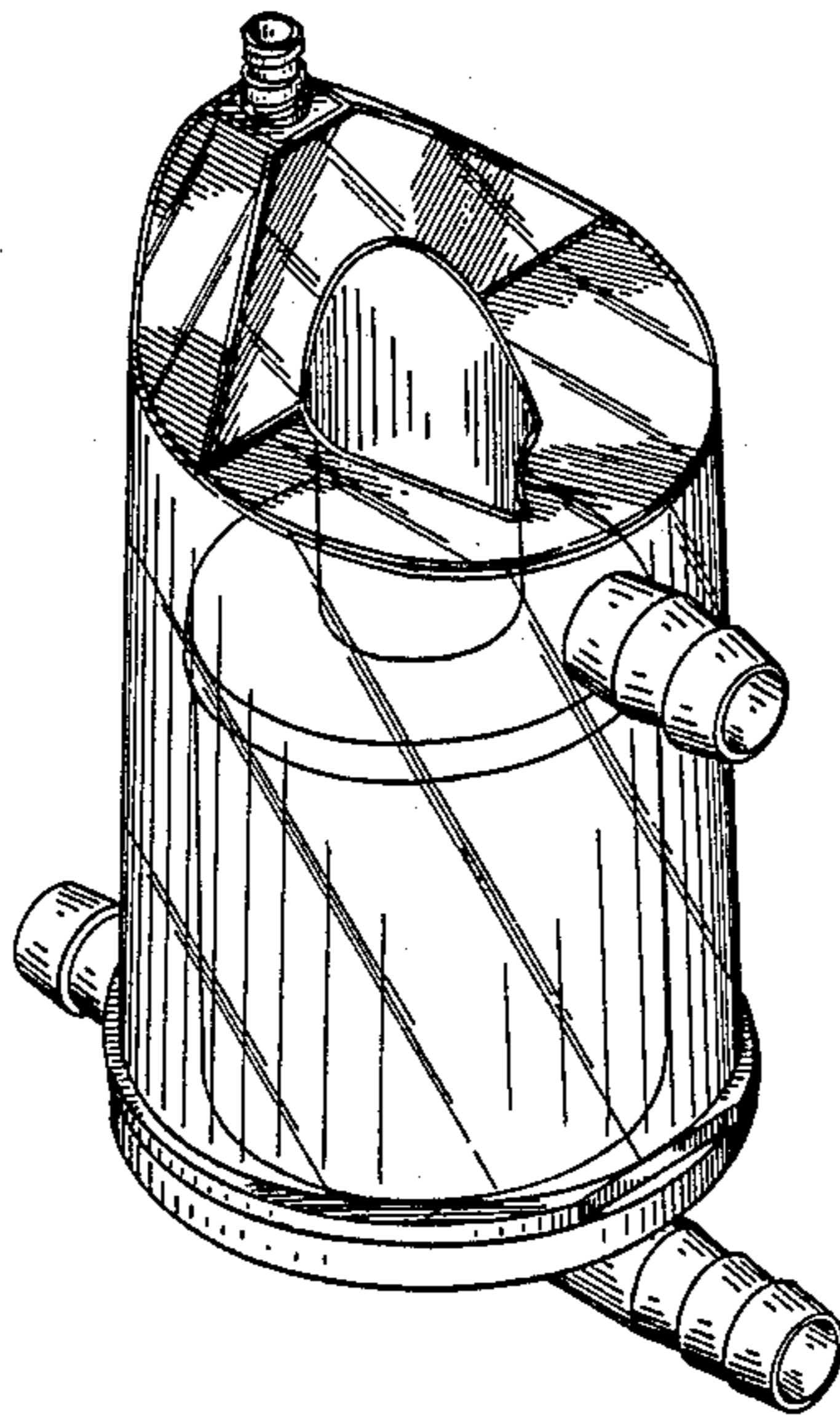


FIG. 1

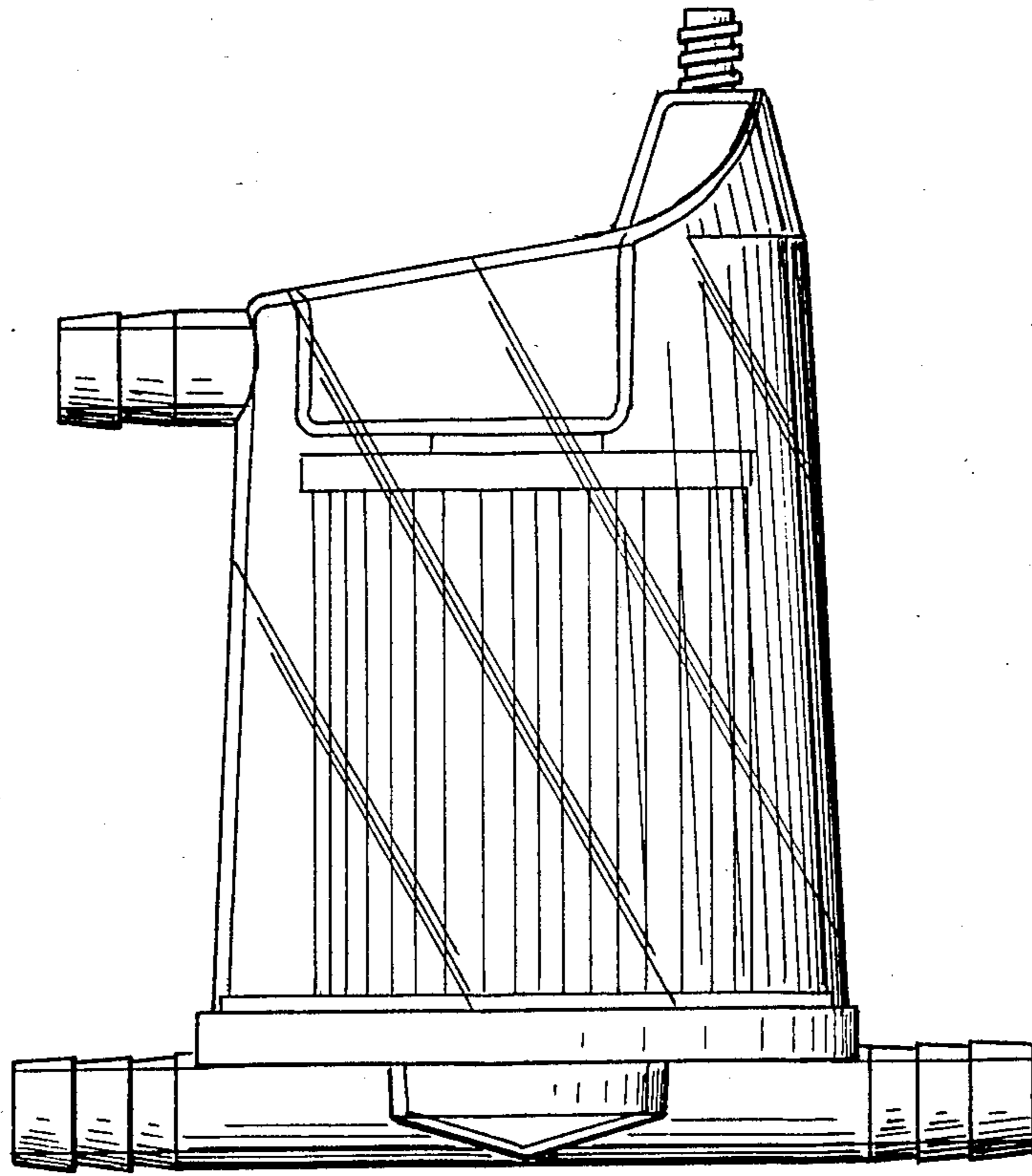


FIG. 2

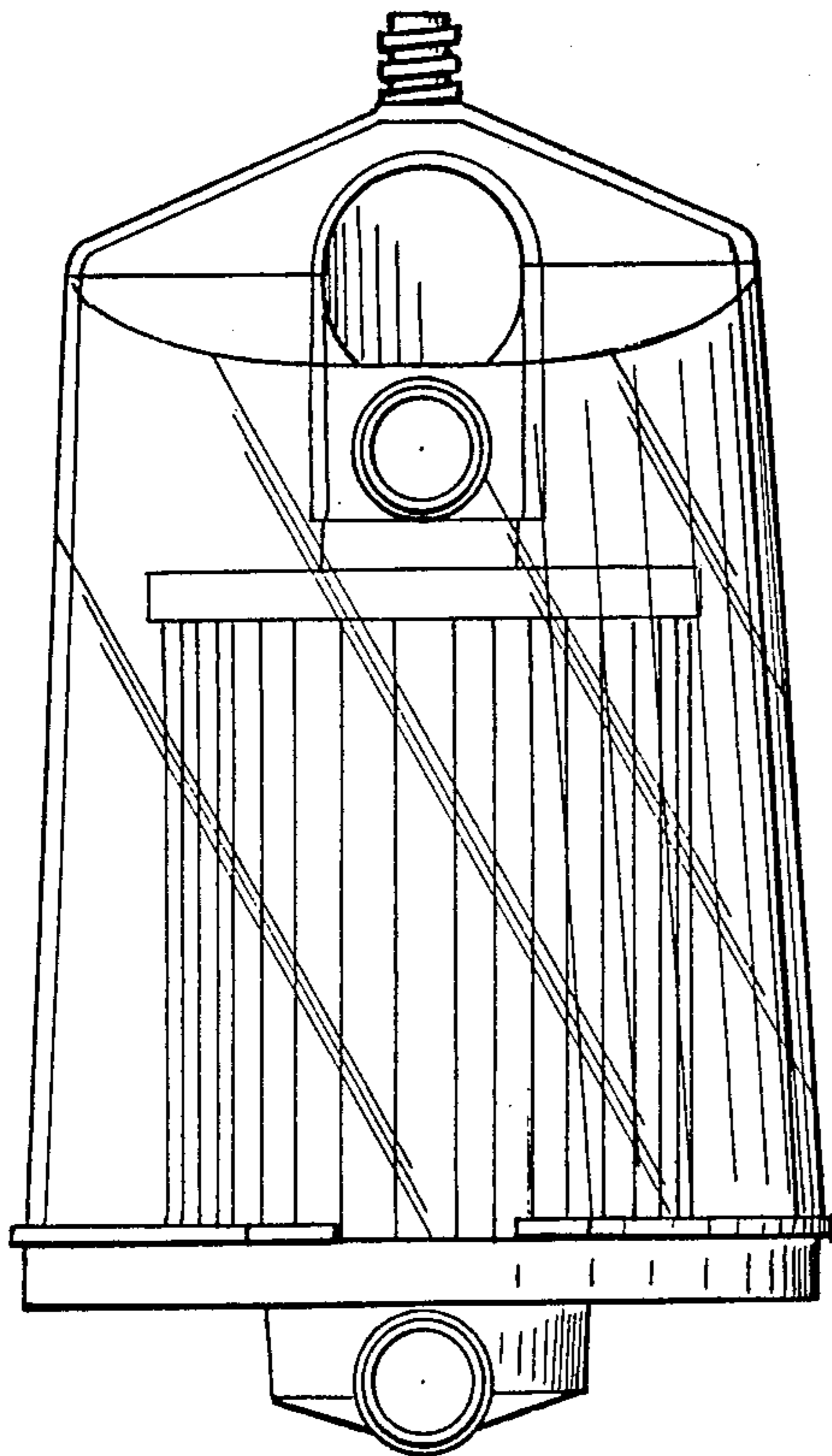
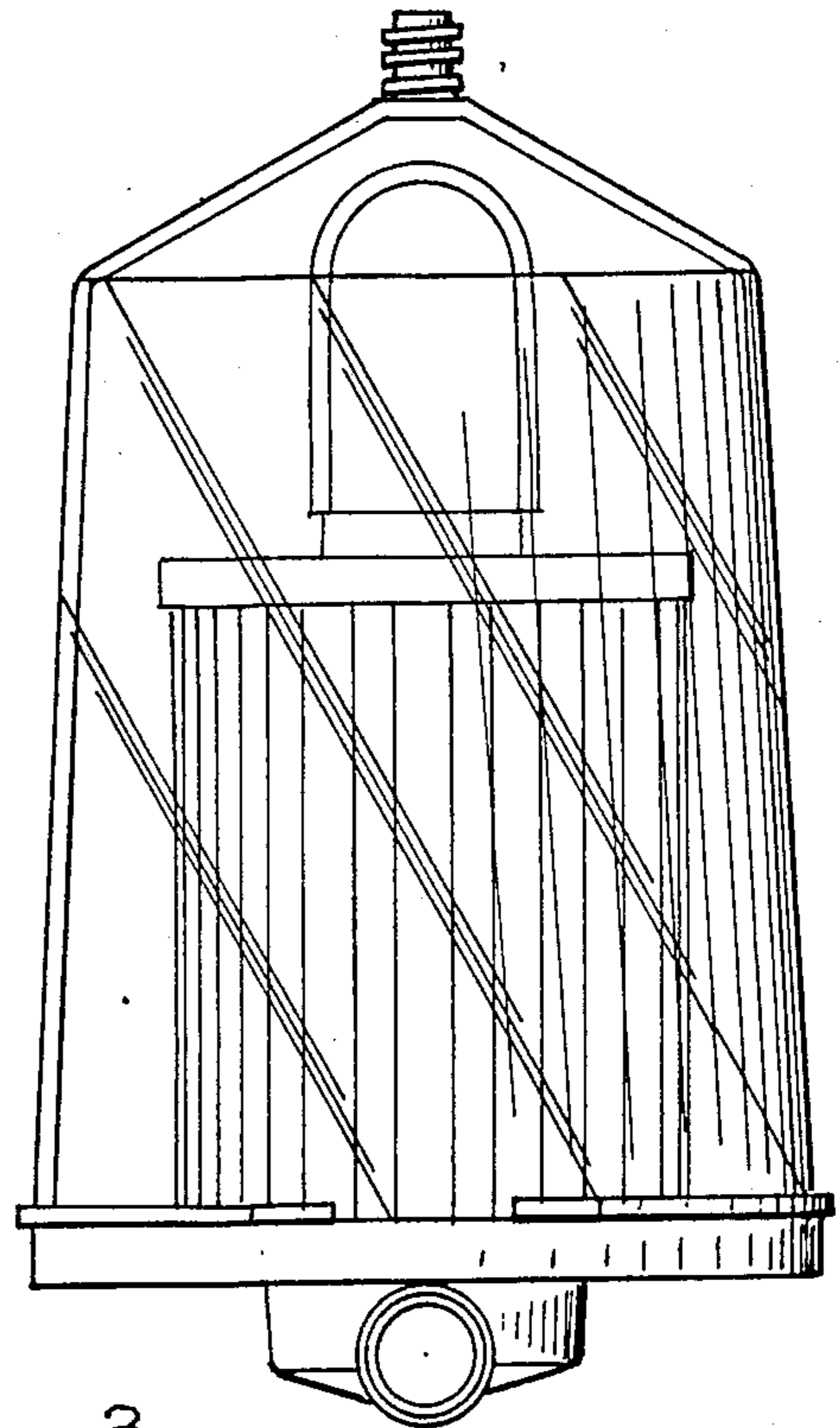


FIG. 3



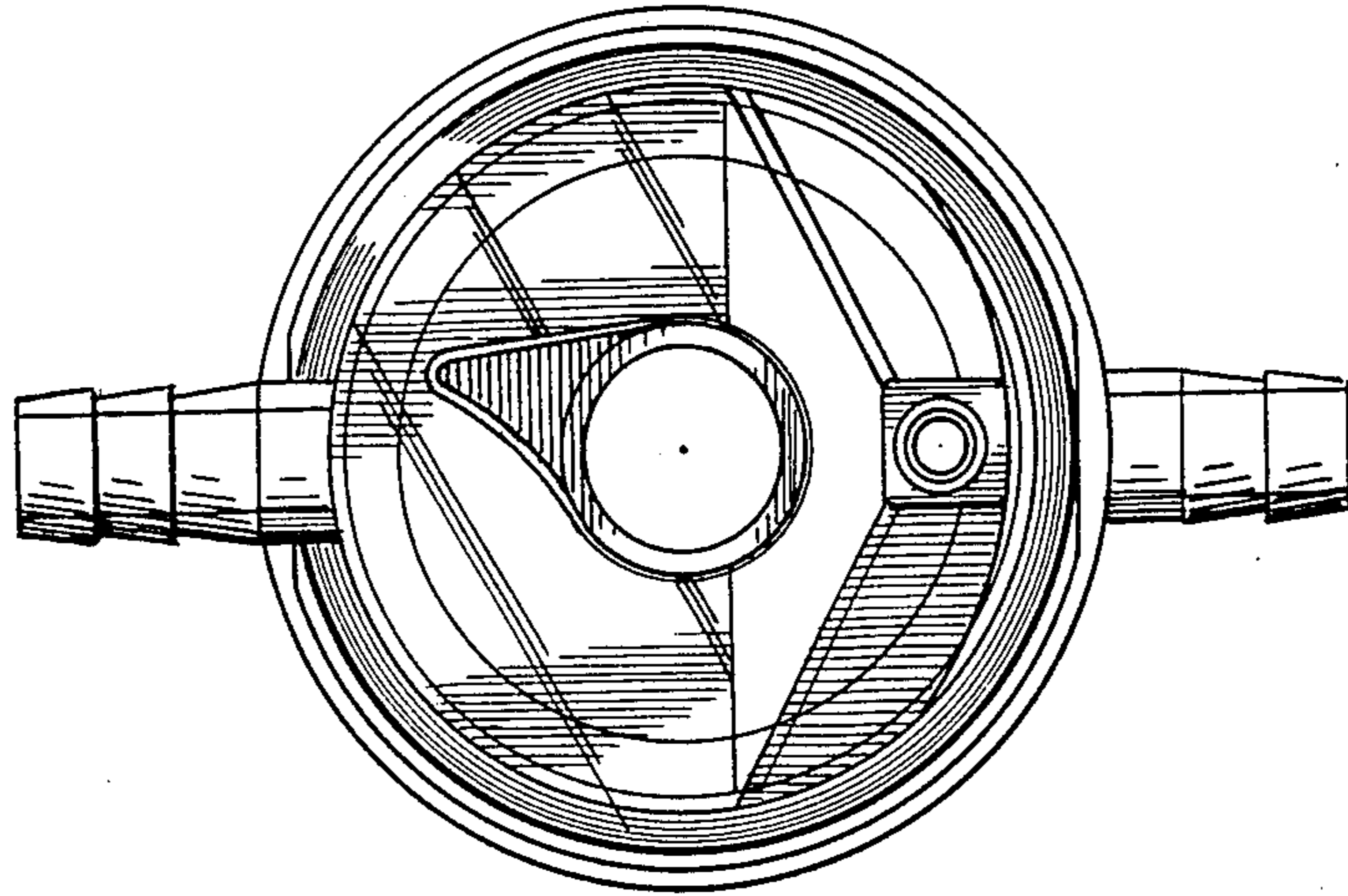


FIG. 4

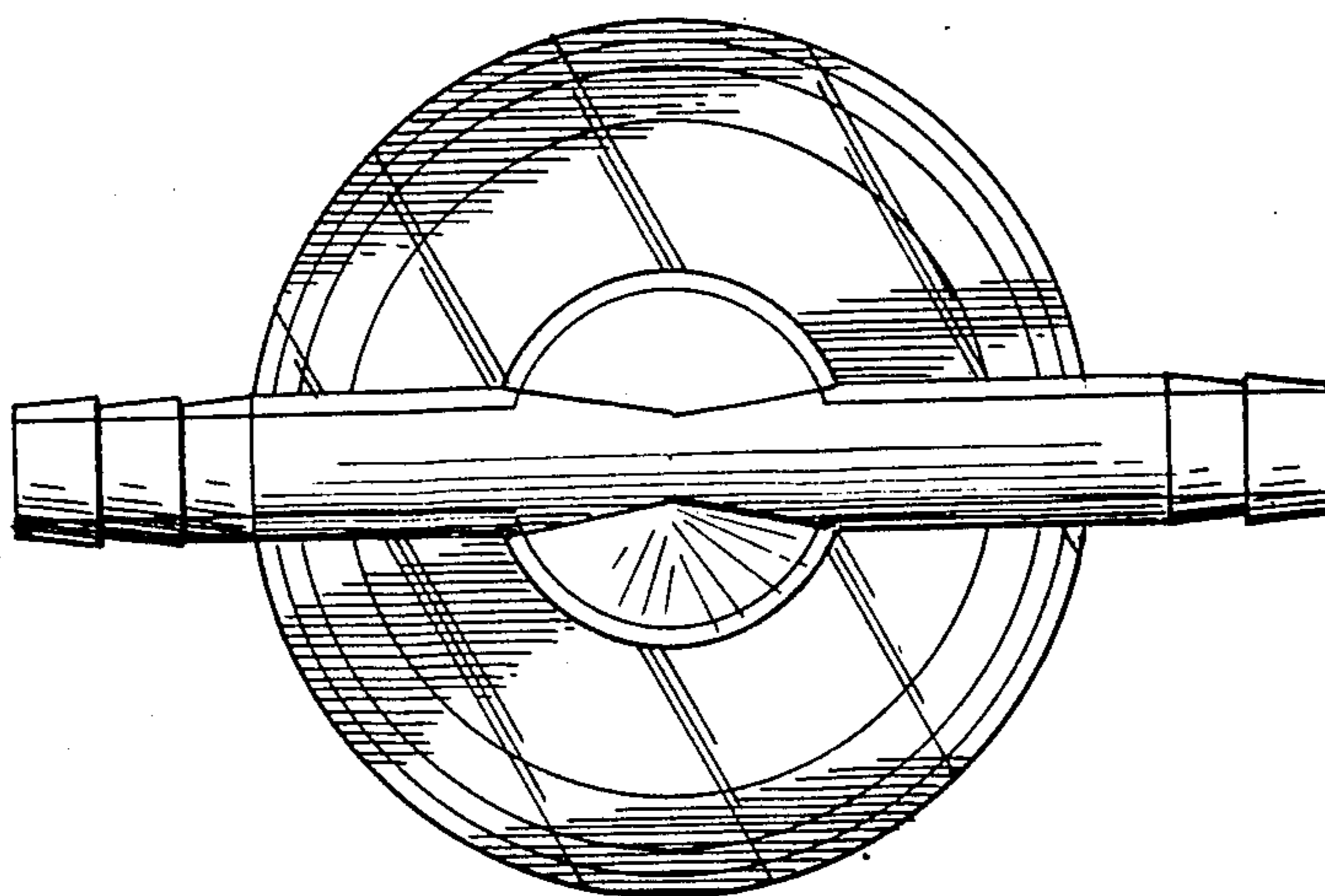


FIG. 5

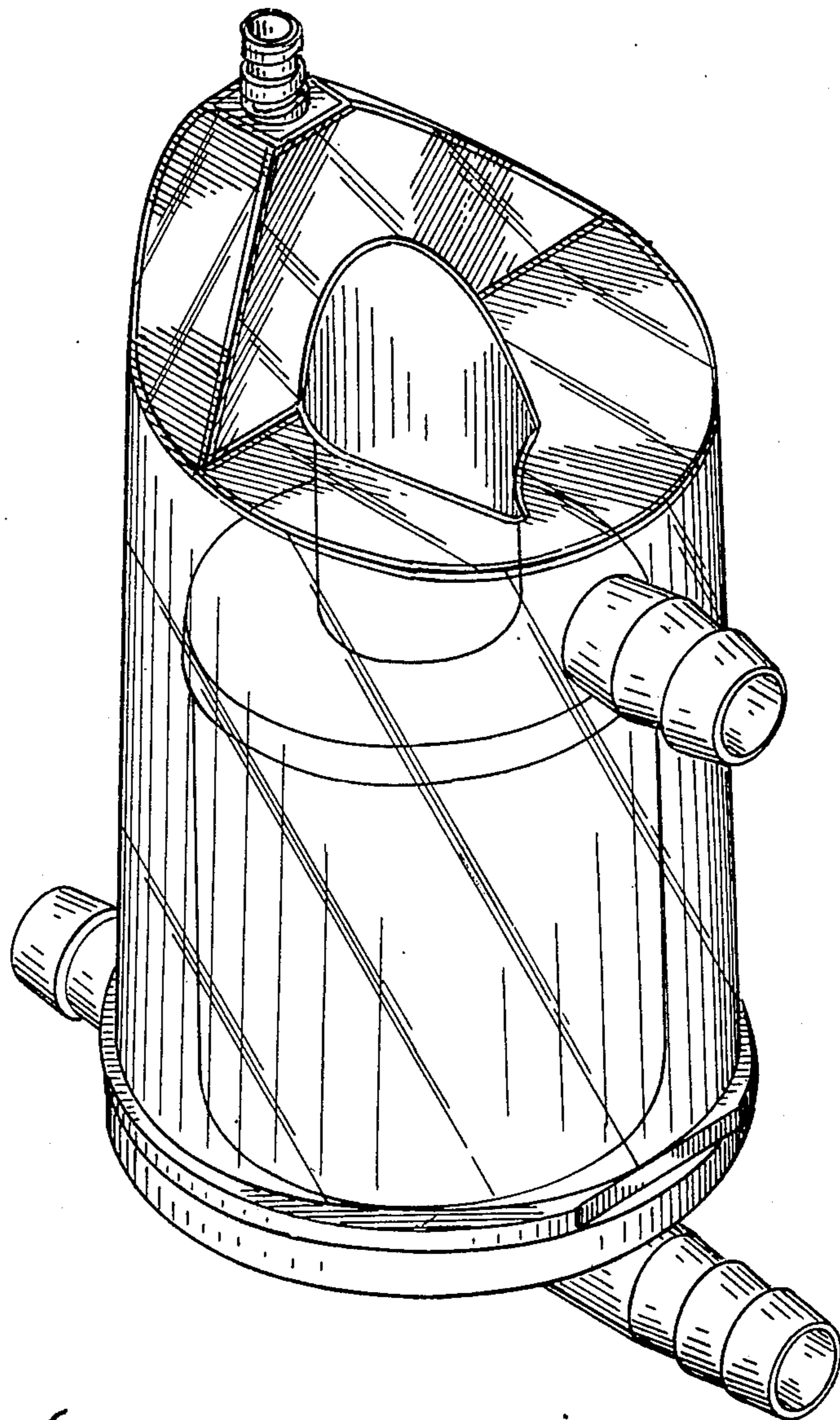


FIG. 6